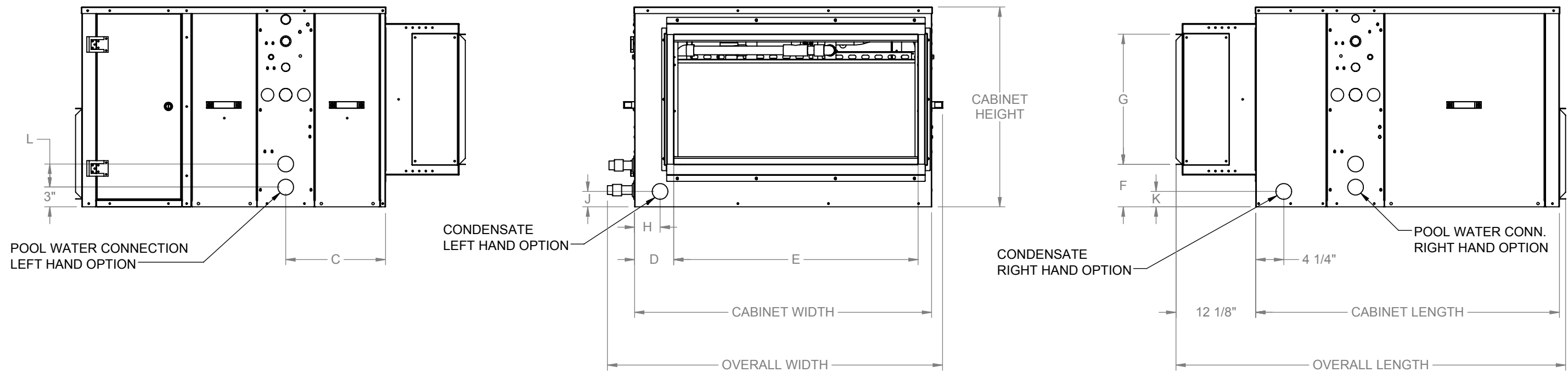

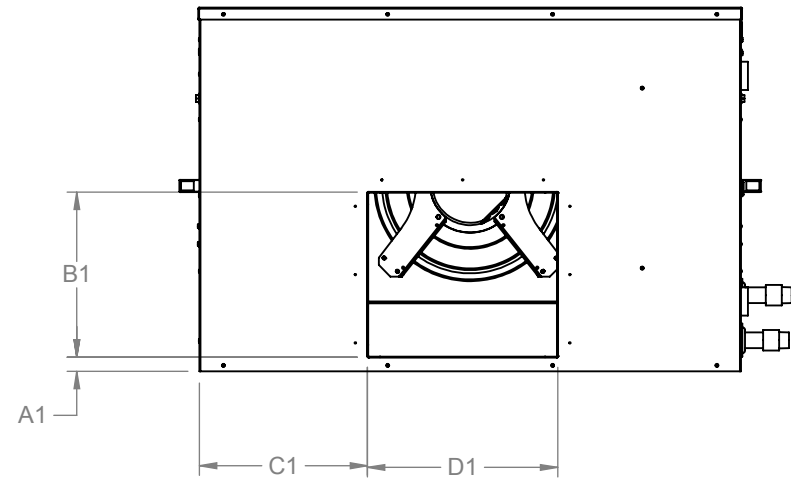


UNIT SIZE	OVERALL WIDTH	OVERALL LENGTH	CABINET HEIGHT	CABINET WIDTH	CABINET LENGTH	C	D	E	F	G	H	J	K	L	WATER CONNECTION SIZE	UNIT WEIGHT
ER01	37 1/4	59 1/4	30 3/8	36 7/8	46 1/4	15 1/8	6 1/2	22 3/4	6 1/2	19 3/4	4 5/8	2 3/8	2 3/8	3 1/4	1/2	360
ER02															3/4	390
ER03															1	490
ER04	48 1/4	72 1/4	39 7/8	49 7/8	59 1/4	15 7/8	6	37 1/8	4 5/8	31 1/2	3 7/8	4 7/8	4 3/8	3 1/2	1 1/4	580
ER05															1 1/4	610
ER06	50 1/4	77 1/8	58 7/8	55 3/4	64 1/8	17 3/4	3 1/8	47 1/8	9 1/2	39 1/2	5 3/8	4 7/8			1 1/2	750
ER08															1 1/2	800
ER10															1 1/2	980
ER12															1 1/2	980



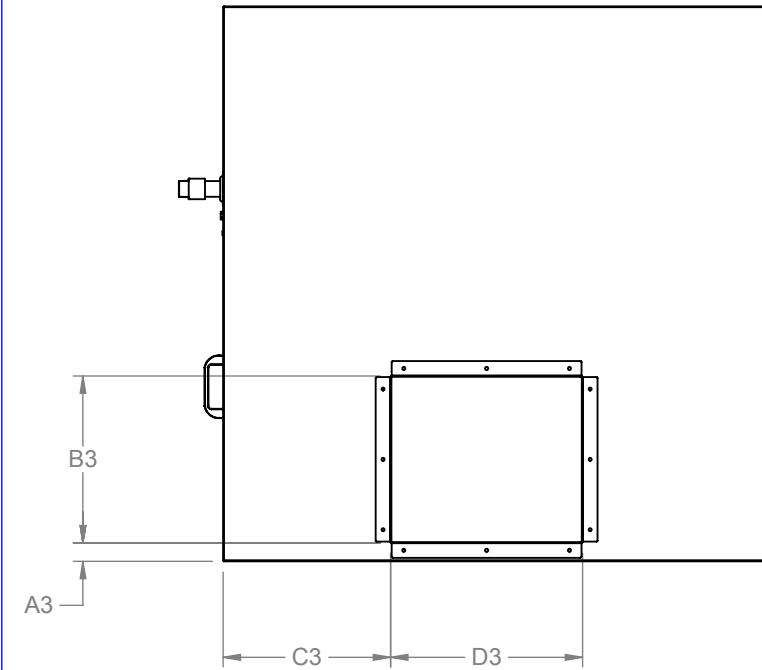
REV.	DESCRIPTION	DATE	Initials	ECN #
REVISIONS				
This drawing and information contained herein are the exclusive property of the Desert Aire Corporation. Any use detrimental to the interests of Desert Aire is prohibited.		All Dimensions in Inches All Angles 90° All Outside Corners 0.094" Radius Unless Otherwise Specified		Tolerance Unless Otherwise Specified X.X ±.125 X.XX ±.060 X.XXX ±.030 Angles ±1°
Material	N/A	 N120 W18485 Freistadt Road Germantown, WI 53022 Tel: (262) 946-7400 Fax: (262) 946-7401		
Finish				
Part Based On	Part weight			
Drawn: CLB Date Released: 9/11/2006 Description: LC05 w HWC LH				
Third Angle Projection		Sheet: 1 / 2 Page Title: ER LAYOUT		
Scale: 1:16 Rev: 0		Drawing Number: RECOVERAIRE GA		

HORIZONTAL DISCHARGE



HORIZONTAL DISCHARGE				
UNIT SIZE	A1	B1	C1	D1
ER01	1 1/4	12 3/4	8 1/2	13 3/8
ER02				
ER03				
ER04		13 3/4	14	15 7/8
ER05		16 1/8	12 1/2	16 3/8
ER06				
ER08		19 1/8	18 7/8	
ER10				
ER12				

TOP DISCHARGE



TOP DISCHARGE				
UNIT SIZE	A1	B1	C1	D1
ER01	1 5/8	12 7/8	8 1/2	13 1/2
ER02				
ER03				
ER04		13 7/8	14	16
ER05		16 1/4	12 1/2	16 1/2
ER06				
ER08		19	19	
ER10				
ER12				

This drawing and information contained herein are the exclusive property of the Desert Aire Corporation. Any use detrimental to the interests of Desert Aire is prohibited.	All Dimensions in Inches All Angles 90° All Outside Corners 0.094" Radius Unless Otherwise Specified	Tolerance Unless Otherwise Specified X.X ±.125 X.XX ±.060 X.XXX ±.030 Angles ±1°	N120 W18485 Freistadt Road Germantown, WI 53022 Tel: (262) 946-7400 Fax: (262) 946-7401	
				Material
Finish	Part Based On	Part weight	Sheet: 2 / 2 Scale: 1:16 Rev.	Page Title: DISCHARGE OPTIONS Drawing Number: RECOVERAIRE GA