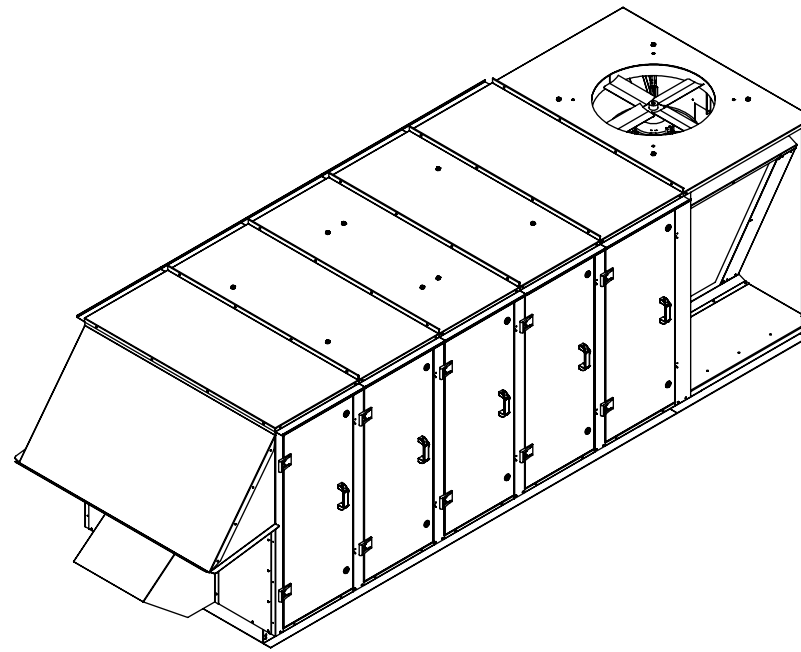
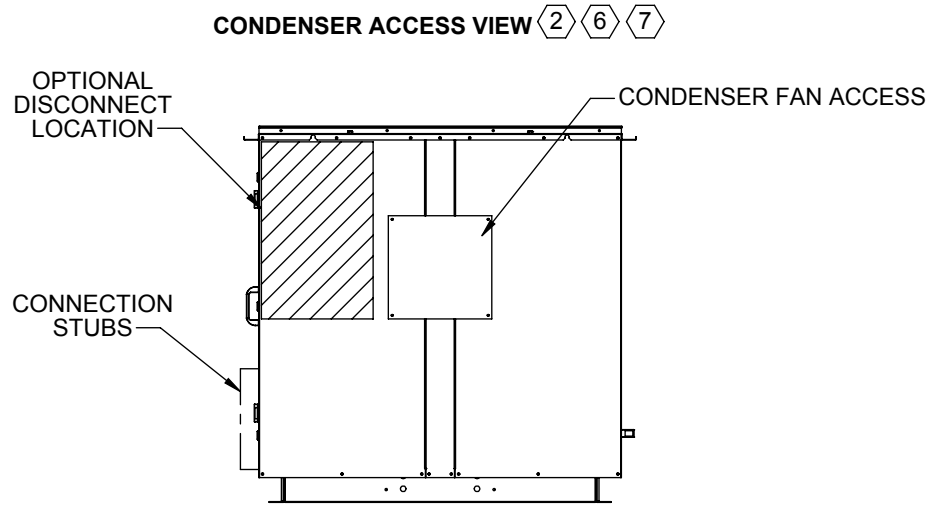
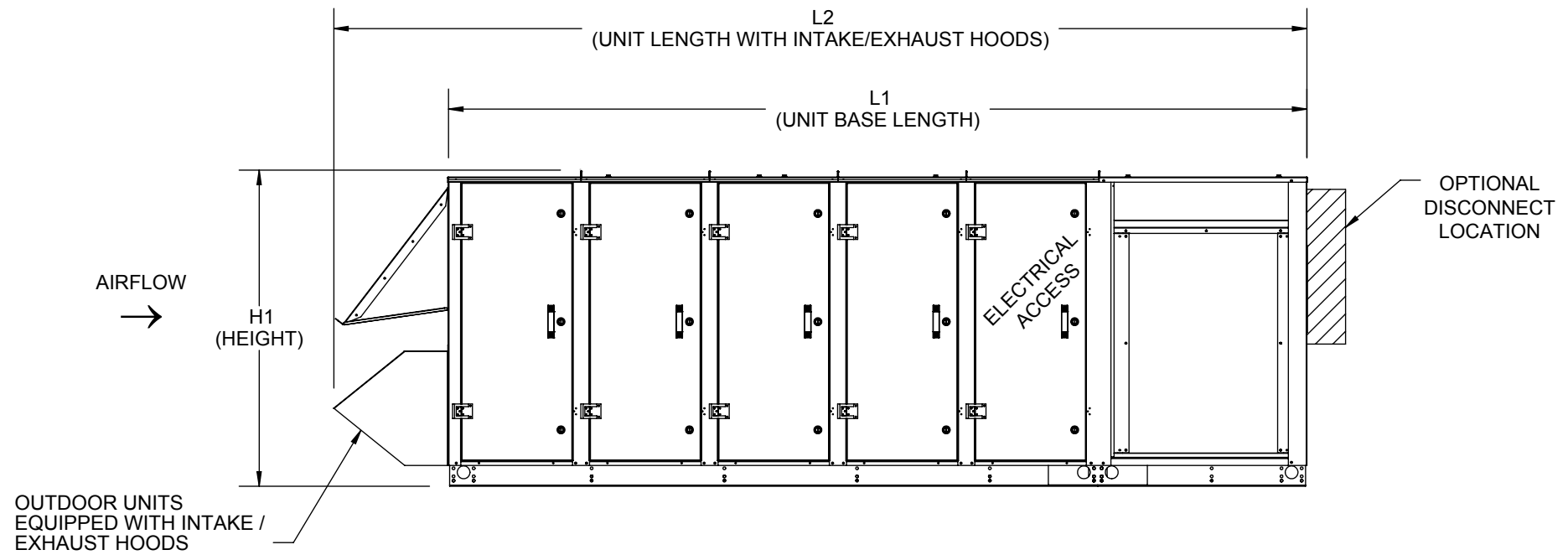
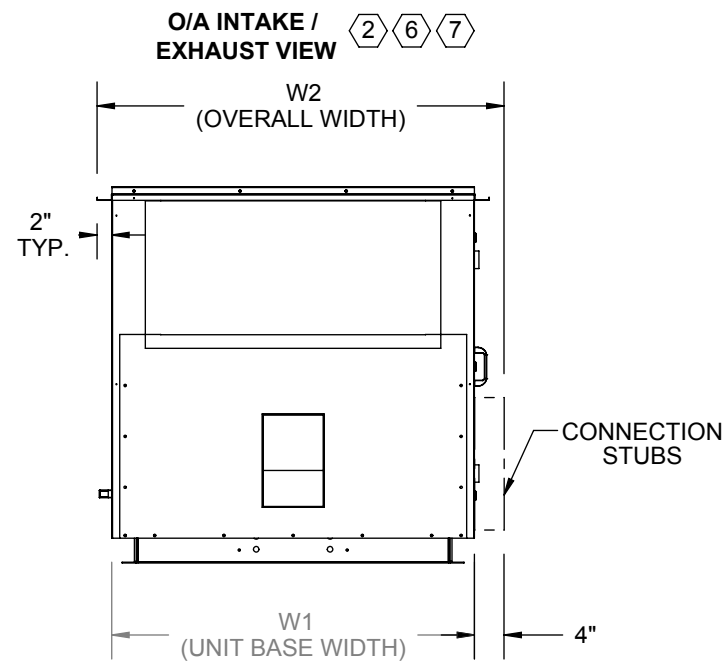


AIR FLOW	UNIT SIZE (TONS)	UNIT CABINET SIZES	L1	W1	H1	L2	W2
DOWN FLOW	02	36-H	159 5/8	49 1/8	51 1/8	178 1/8	55 1/8
	03		159 5/8	49 1/8	51 1/8	178 1/8	55 1/8
	05	44-H	187 3/8	54 1/2	55	205 3/4	60 1/2
	08	50-H	194 5/8	61 1/8	63	218	67 1/8
	10	60-H	207 3/8	72 1/2	75 1/4	230 3/4	78 1/2
	15	72-H	221 5/8	87 1/2	83 3/8	250	93 1/2
	20	78-H	290 1/2	90 1/2	92 5/8	319 1/4	96 1/2
	25		290 1/2	90 1/2	92 5/8	319 1/4	96 1/2
30	290 1/2		90 1/2	92 5/8	319 1/4	96 1/2	



ACCESS SIDE VIEW (2) (6) (7)



GENERAL NOTES AS REFERENCED BY INDIVIDUAL SHEETS:

- (1) PORTION OF SECTIONED OR DETAILED DRAWING HAS BEEN OMITTED FOR CLARITY.
- (2) HOODS OMITTED FOR CLARITY.
- (3) VIEW IS FOR PICTORAL PURPOSES. REFER TO PAGE 1 FOR UNIT TYPE SPECIFIC VIEW.
- (4) REFER TO SUBMITTAL FOR CUSTOMER CONNECTION LOCATIONS.
- (5) DIMENSIONS ARE TO ACCESS SIDE OF UNIT.
- (6) RH ACCESS SHOWN FOR DISPLAY PURPOSES. ACCESS DOOR CONFIGURATION MAY CHANGE DEPENDING ON UNIT SIZE.
- (7) REFER TO SHEET 3,4, FOR INTAKE AND DISCHARGE CONNECTION DIMENSIONS.

Desert Aire has a policy of continuous product and quality improvement. Specifications and dimensions are subject to change without notice. This drawing and information contained herein are the exclusive property of the Desert Aire Corporation. Any use detrimental to the interests of Desert Aire is prohibited.

All Dimensions in Inches
All Angles 90°
All outside corners 0.125" fillet
Unless Otherwise Specified

Tolerance Unless Otherwise Specified
X.X ±.125
X.XX ±.060
X.XXX ±.030
Angles ±1°

DESERT AIRE
N120 W18485 FREISTADT RD
GERMANTOWN, WI 53022
Tel: (262) 946-7400
Fax: (262) 946-7401

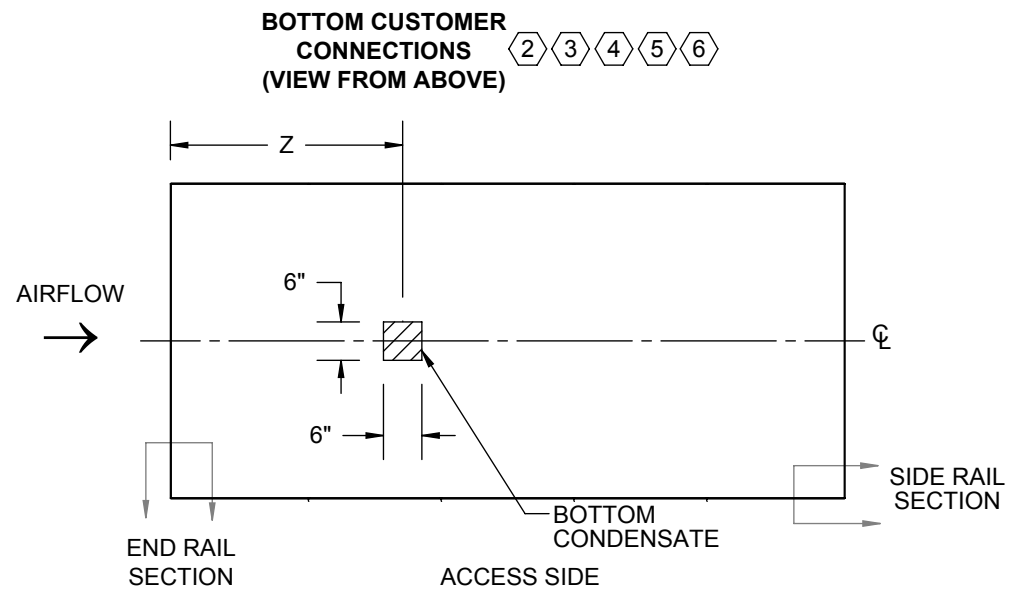
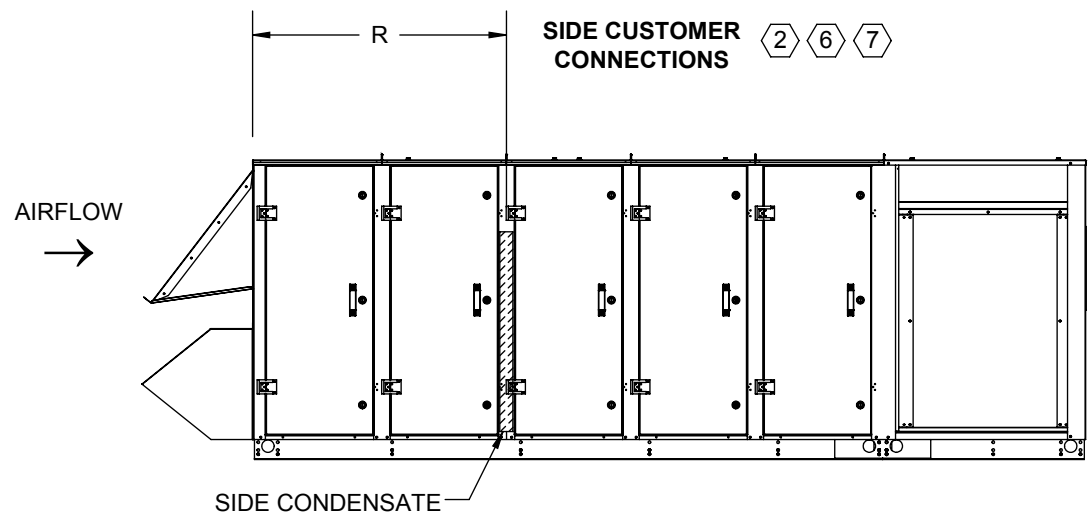
Third Angle Projection

Part weight

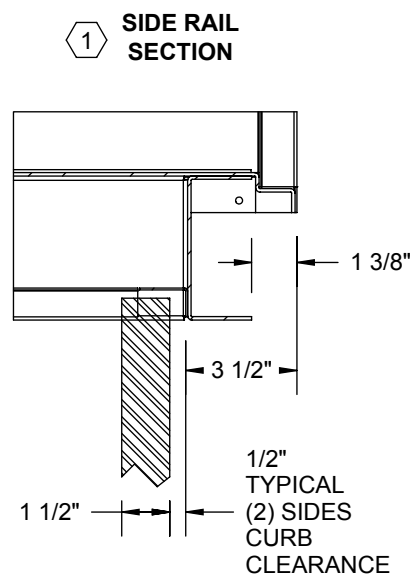
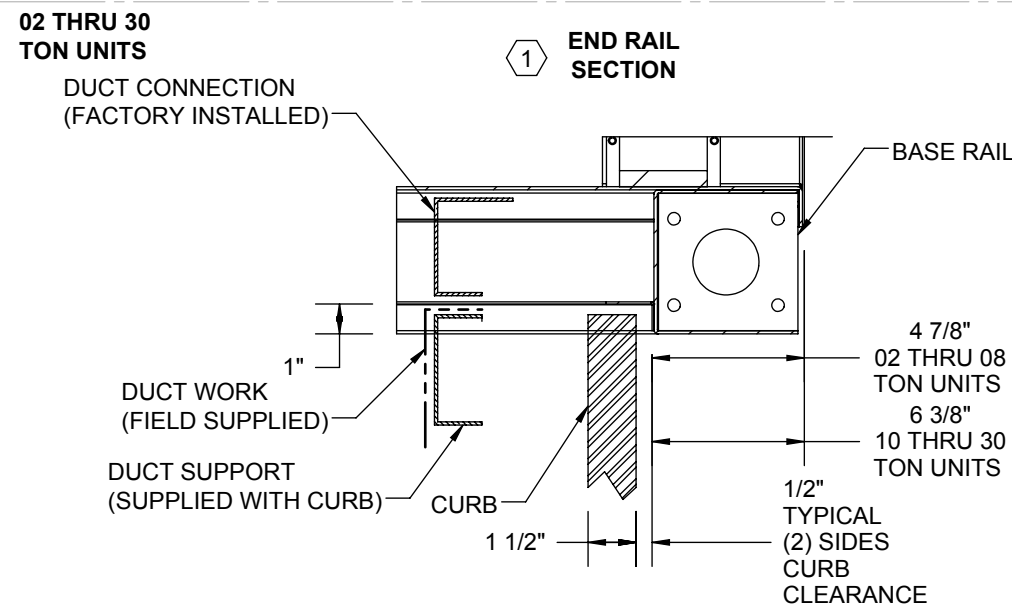
Drawn	BCL	Date Released	5/17/2011	Description	PACKAGED RECIRC w/ WHEEL
Sheet	1/4		Page Title GENERAL ARRANGEMENT		
Scale	NTS		Rev.	3	
Drawing Number			G805-006		

ALL DIMENSIONS ARE IN INCHES
FRACTIONAL TOLERANCE ± 1/8"

NOTES:
REFER TO SHEET 1 FOR GENERAL NOTES.



AIR FLOW	UNIT SIZE (TONS)	UNIT CABINET SIZES	R	Z
DOWNFLOW	02	36-H	63 1/8	61 3/8
	03		63 1/8	61 3/8
	05	44-H	67	67 7/8
	08	50-H	68 5/8	68
	10	60-H	70 1/2	70 3/4
	15	72-H	75 3/8	77 3/8
	20	78-H	81 1/4	87 3/8
	25		81 1/4	87 3/8
30	81 1/4		87 3/8	



UNIT SIZE (TONS)	CAB	FILTER LOCATION	DA PART #			NOM W	NOM H	TOTAL QTY
			4" MERV	4" MERV	2" PRE			
2-3 Ton	36-H	S & E	870-041	870-131	870-043	20	24	4
5 Ton	44-H	S & E	870-056	870-133	870-057	18	24	6
8 Ton	50-H	S & E	870-041	870-131	870-043	20	24	6
10 Ton	60-H	S & E	870-012	870-130	870-009	24	24	6
15 Ton	72-H	SUPPLY	870-030	870-135	870-015	16	25	3
		SUPPLY	870-011	870-134	870-016	20	25	2
		EXHAUST	870-030	870-135	870-015	16	25	2
		EXHAUST	870-028	870-128	870-022	16	20	6
20-30 Ton	78-H	SUPPLY	870-010	870-129	870-005	20	20	4
		SUPPLY	870-011	870-134	870-016	20	25	4
		EXHAUST	870-030	870-135	870-015	16	25	4
		EXHAUST	870-028	870-128	870-022	16	20	4

CUSTOMER CONNECTION LINE SIZE SUMMARY (in.)									
Unit Size	2 TONS	3 TONS	5 TONS	8 TONS	10 TONS	15 TONS	20 TONS	25 TONS	30 TONS
CONDENSATE	1	1	1	1	1	1	1	1	1

Desert Aire has a policy of continuous product and quality improvement. Specifications and dimensions are subject to change without notice. This drawing and information contained herein are the exclusive property of the Desert Aire Corporation. Any use detrimental to the interests of Desert Aire is prohibited.

All Dimensions in Inches
All Angles 90°
All outside corners 0.125" fillet
Unless Otherwise Specified

Tolerance Unless Otherwise Specified
X.X ±.125
X.XX ±.060
X.XXX ±.030
Angles ±1°

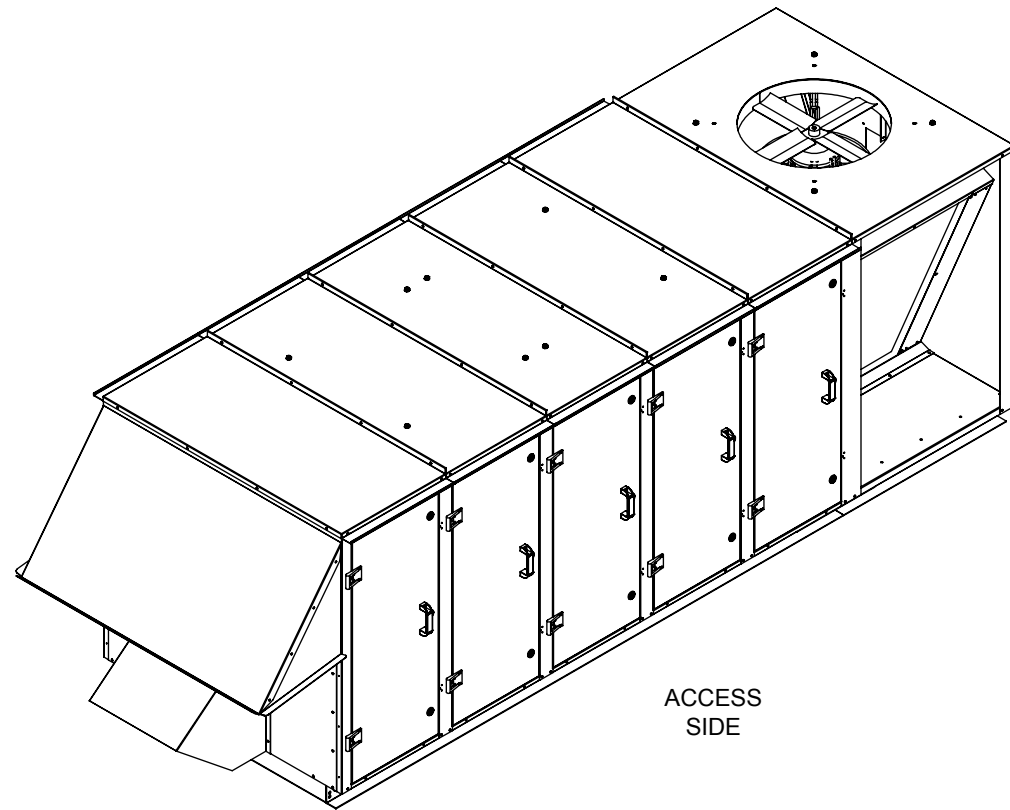
DESERT AIRE
N120 W18485 FREISTADT RD
GERMANTOWN, WI 53022
Tel: (262) 946-7400
Fax: (262) 946-7401

Third Angle Projection

Drawn	BCL	Date Released	5/17/2011	Description	PACKAGED RECIRC w/ WHEEL
Sheet	2/4		Page Title CUSTOMER INTERFACE GA		
Scale	NTS		Rev.	3	
Part weight			Drawing Number G805-006		

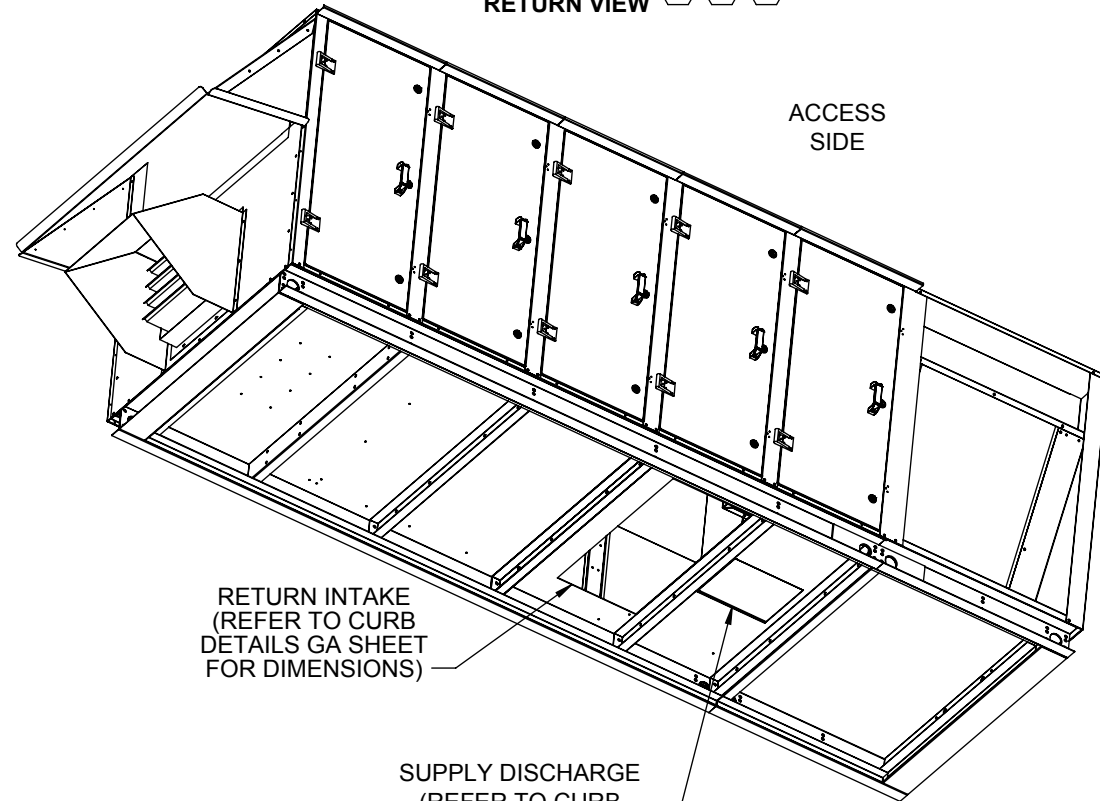
ALL DIMENSIONS ARE IN INCHES
FRACTIONAL TOLERANCE ± 1/8"

O/A INTAKE / EXHAUST VIEW 3 5 6



ACCESS SIDE

DISCHARGE / RETURN VIEW 3 5 6



ACCESS SIDE

RETURN INTAKE
(REFER TO CURB
DETAILS GA SHEET
FOR DIMENSIONS)

SUPPLY DISCHARGE
(REFER TO CURB
DETAILS GA SHEET
FOR DIMENSIONS)

NOTES:

REFER TO SHEET 1 FOR GENERAL NOTES.

WEIGHTS SHOWN REFLECT FULLY OPTIONED ESTIMATED UNIT WEIGHT.

REFER TO CURB DETAILS GA SHEET FOR SUPPLY DUCT DIMENSION AND LOCATIONS.

UNIT SIZE (TONS)	UNIT CABINET SIZES	DOWN DISCHARGE, DOWN RETURN
		TOTAL EST. WEIGHT (LBS)
02	36-H	2247
03		2311
05	44-H	2868
08	50-H	3601
10	60-H	4605
15	72-H	6388
20	78-H	7575
25		9616
30		9741

Desert Aire has a policy of continuous product and quality improvement. Specifications and dimensions are subject to change without notice. This drawing and information contained herein are the exclusive property of the Desert Aire Corporation. Any use detrimental to the interests of Desert Aire is prohibited.

All Dimensions in Inches
All Angles 90°
All outside corners 0.125" fillet
Unless Otherwise Specified

Tolerance Unless Otherwise Specified
X.X ±.125
X.XX ±.060
X.XXX ±.030
Angles ±1°

DESERT AIRE
N120 W18485 FREISTADT RD
GERMANTOWN, WI 53022
Tel: (262) 946-7400
Fax: (262) 946-7401


Third Angle Projection

Drawn **BCL** Date Released **5/17/2011**

Description **PACKAGED RECIRC w/ WHEEL**

ALL DIMENSIONS ARE IN INCHES
FRACTIONAL TOLERANCE ± 1/8"

Part weight

Sheet **3/4**

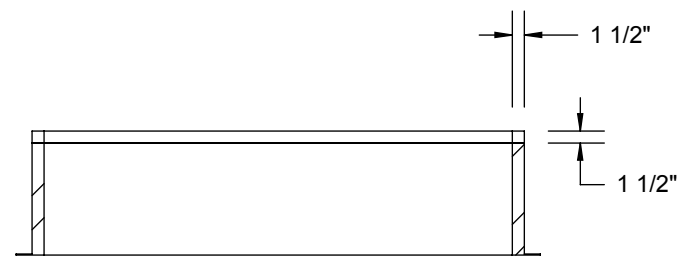
Page Title **DOWN DISCHARGE GA**

Scale **NTS** Rev. **3**

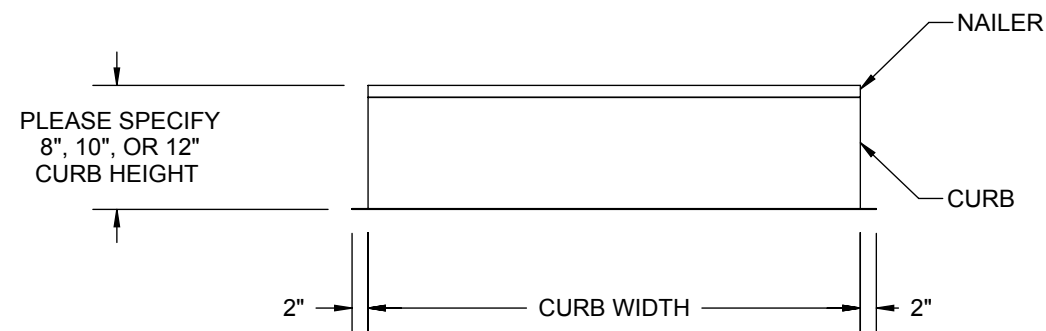
Drawing Number **G805-006**

NOTES:
 REFER TO SHEET 1 FOR GENERAL NOTES.
 CURBS 120" AND LESS ARE SHIPPED AS COMPLETE CURBS. GREATER THAN 120" ARE SHIPPED KNOCKED DOWN.
 NUMBER AND LOCATION OF CROSS SUPPORT(S) IS DEPENDANT UPON THE GAUGE OF MATERIAL USED TO CONSTRUCT THE CURB, DUCT SUPPORT CONFIGURATION, LENGTH OF CURB AND WIDTH OF CURB. INSTALLATION INSTRUCTIONS INCLUDED WITH CURB SHIPMENT INDICATE THE REQUIRED POSITION FOR FIELD ASSEMBLED CURBS

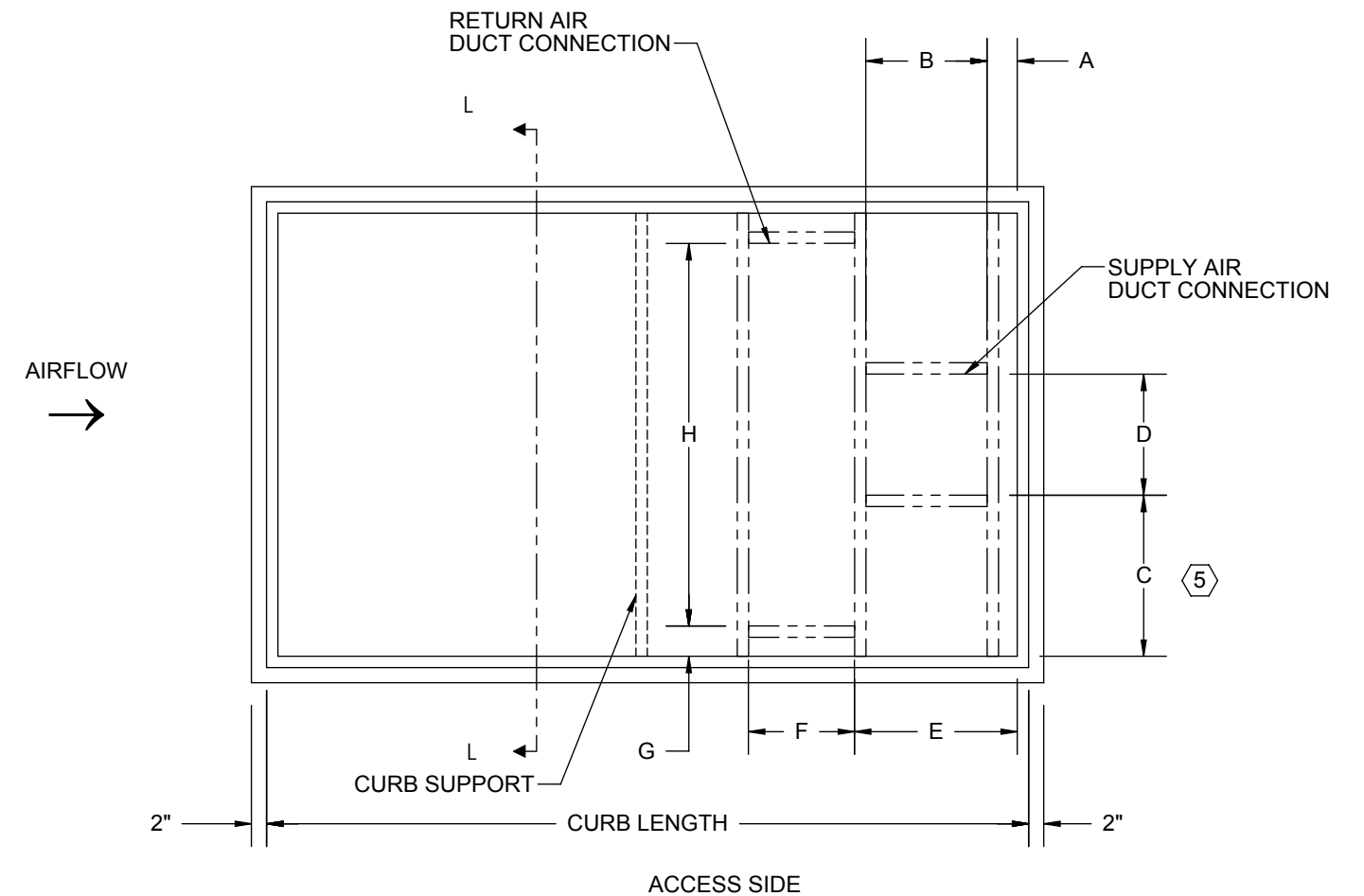
ROOFCURB SIZE DOWN/DOWN FLOW (O.D.)												
UNIT SIZE (TONS)	UNIT CABINET SIZES	CURB P/N	WIDTH (in.)	LENGTH (in.)	SUPPLY DISCHARGE (in.)				RETURN INTAKE (in.)			
					A	B	C ⁵	D	E	F	G	H
02	36-H	CB02WFFN06-XX	41 1/8	148 7/8	33 1/2	12 3/4	12 3/8	13 1/4	47 3/4	13	9	31
03		CB03WFFN06-XX	41 1/8	148 7/8	33 1/2	12 3/4	12 3/8	13 1/4	47 3/4	13	9	31
05	44-H	CB05WFFN06-XX	46 1/2	176 5/8	53 1/2	11 1/2	15 3/4	12	66 5/8	17	9 1/4	36
08	50-H	CB08WFFN06-XX	53 1/8	183 7/8	57 3/8	16	17 1/4	15 3/4	75	18	9	43
10	60-H	CB10WFFN06-XX	64 1/2	193 5/8	66 3/8	16	21 3/8	18 3/4	84	30	9 1/4	54
15	72-H	CB15WFFN06-XX	79 1/2	207 7/8	71	16	28 7/8	18 3/4	88 1/2	31	9 1/4	69
20	78-H	CB20WFFN07-XX	82 1/2	276 5/8	101	28 3/8	25 5/8	28 3/8	130 7/8	32	9 1/4	72
25		CB25WFFN07-XX	82 1/2	276 5/8	101	28 3/8	25 5/8	28 3/8	130 7/8	32	9 1/4	72
30		CB30WFFN07-XX	82 1/2	276 5/8	101	28 3/8	25 5/8	28 3/8	130 7/8	32	9 1/4	72



SECTION L-L



CURB TOP VIEW ⁵₆



----- DUCT CONNECTIONS FOR DOWN DISCHARGE / DOWN RETURN

Desert Aire has a policy of continuous product and quality improvement. Specifications and dimensions are subject to change without notice. This drawing and information contained herein are the exclusive property of the Desert Aire Corporation. Any use detrimental to the interests of Desert Aire is prohibited.	All Dimensions in Inches All Angles 90° All outside corners 0.125" fillet Unless Otherwise Specified	Tolerance Unless Otherwise Specified X.X ±.125 X.XX ±.060 X.XXX ±.030 Angles ±1°	N120 W18485 FREISTADT RD GERMANTOWN, WI 53022 Tel: (262) 946-7400 Fax: (262) 946-7401
ALL DIMENSIONS ARE IN INCHES FRACTIONAL TOLERANCE ± 1/8"	Third Angle Projection	Sheet: 4/4	Page Title: CURB DETAILS GA
Part weight	Scale: NTS	Rev: 3	Drawing Number: G805-006