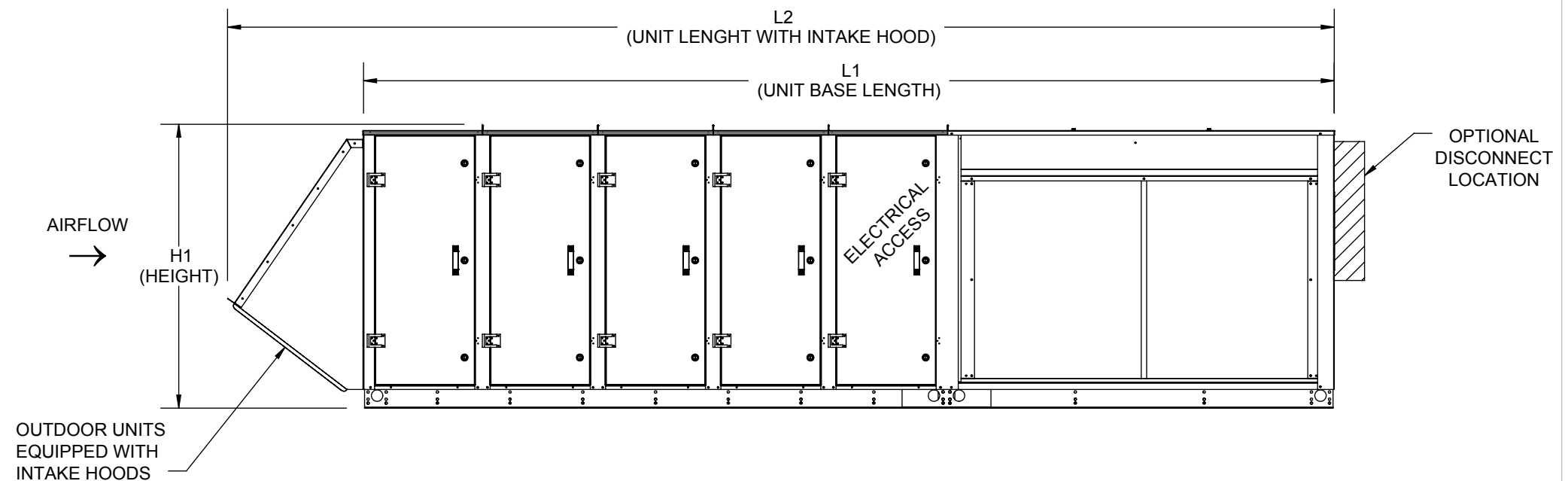
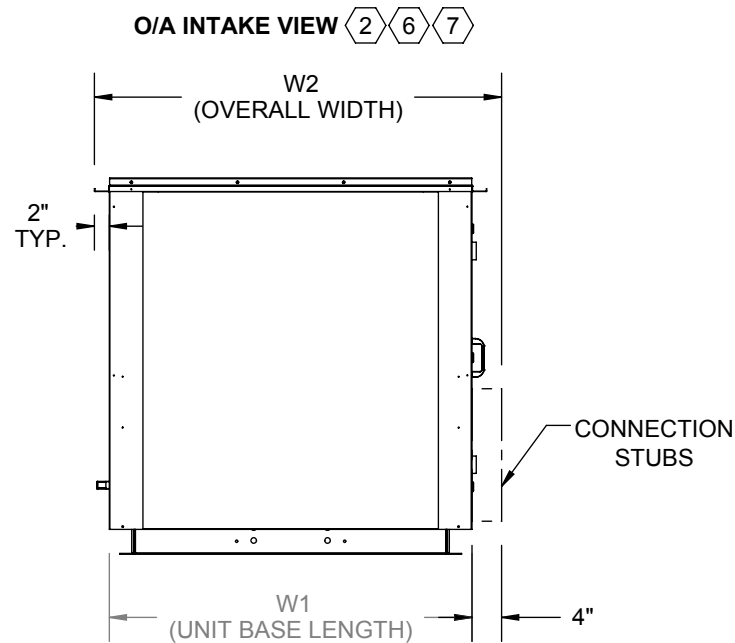


**ACCESS SIDE VIEW** ② ⑥ ⑦

AIR FLOW	UNIT SIZE (TONS)	UNIT CABINET SIZES	L1	W1	H1	L2	W2
DOWN FLOW	02	24	120	37 1/8	46 3/8	141 7/8	43 1/8
	03		120	37 1/8	46 3/8	141 7/8	43 1/8
	05		134 3/8	37 1/8	46 3/8	156 1/4	43 1/8
	08	36	174 7/8	49 1/8	51 1/8	199 1/4	55 1/8
	10		174 7/8	49 1/8	51 1/8	199 1/4	55 1/8
	15		174 7/8	49 1/8	51 1/8	199 1/4	55 1/8
	20	44	199 1/4	54 1/2	55 1/8	225 5/8	60 1/2
	25	50	215 3/8	61 1/8	63 1/8	245 5/8	67 1/8
30	249		61 1/8	63 1/8	279 3/8	67 1/8	
TOP FLOW	02	24	120	37 1/8	46 3/8	141 7/8	43 1/8
	03		120	37 1/8	46 3/8	141 7/8	43 1/8
	05		134 3/8	37 1/8	46 3/8	156 1/4	43 1/8
	08	36	174 7/8	49 1/8	51 1/8	199 1/4	55 1/8
	10		174 7/8	49 1/8	51 1/8	199 1/4	55 1/8
	15		174 7/8	49 1/8	51 1/8	199 1/4	55 1/8
	20	44	199 1/4	54 1/2	55 1/8	225 5/8	60 1/2
	25	50	215 3/8	61 1/8	63 1/8	245 5/8	67 1/8
30	249		61 1/8	63 1/8	279 3/8	67 1/8	



**GENERAL NOTES AS REFERENCED BY INDIVIDUAL SHEETS:**

- ① PORTION OF SECTIONED OR DETAILED DRAWING HAS BEEN OMITTED FOR CLARITY.
- ② HOODS OMITTED FOR CLARITY.
- ③ VIEW IS FOR PICTORAL PURPOSES. REFER TO PAGE 1 FOR UNIT TYPE SPECIFIC VIEW.
- ④ REFER TO SUBMITTAL FOR CUSTOMER CONNECTION LOCATIONS.
- ⑤ DIMENSIONS ARE TO ACCESS SIDE OF UNIT.
- ⑥ RH ACCESS SHOWN FOR DISPLAY PURPOSES. ACCESS DOOR CONFIGURATION MAY CHANGE DEPENDING ON UNIT SIZE.
- ⑦ REFER TO SHEET 3,4,5 FOR INTAKE AND DISCHARGE CONNECTION DIMENSIONS.

Desert Aire has a policy of continuous product and quality improvement. Specifications and dimensions are subject to change without notice. This drawing and information contained herein are the exclusive property of the Desert Aire Corporation. Any use detrimental to the interests of Desert Aire is prohibited.

All Dimensions in Inches  
All Angles 90°  
All outside corners 0.125" fillet  
Unless Otherwise Specified

Tolerance Unless Otherwise Specified  
X.X ±.125  
X.XX ±.060  
X.XXX ±.030  
Angles ±1°

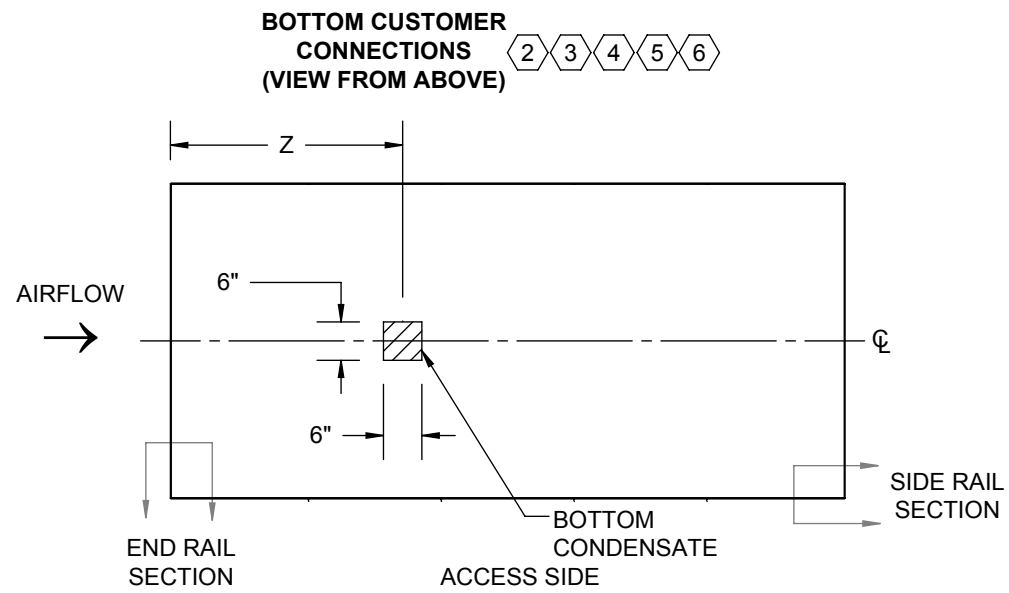
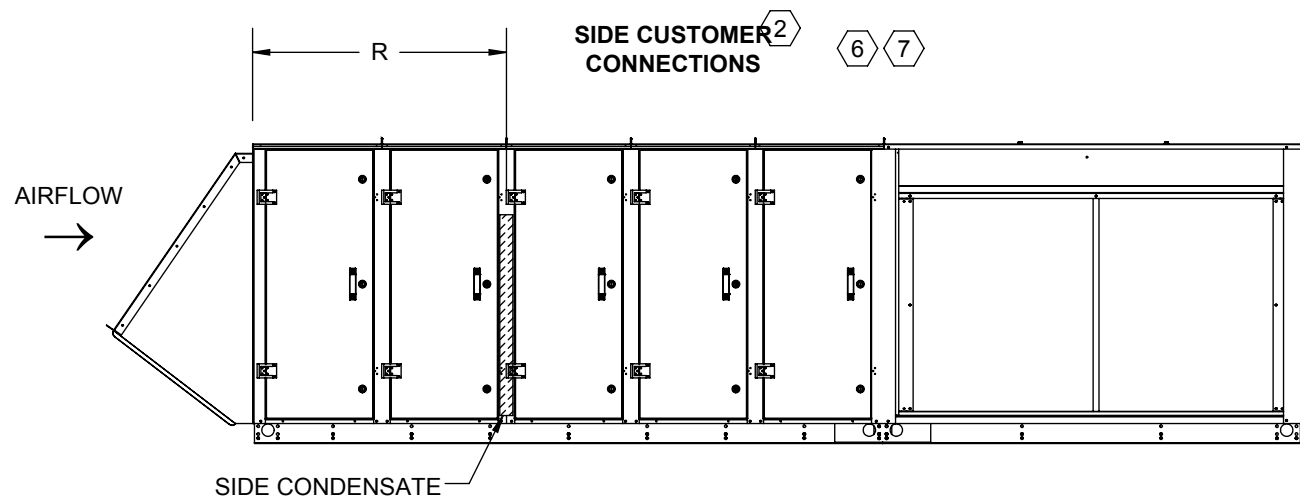
N120 W18485 FREISTADT RD  
GERMANTOWN, WI 53022  
Tel: (262) 946-7400  
Fax: (262) 946-7401



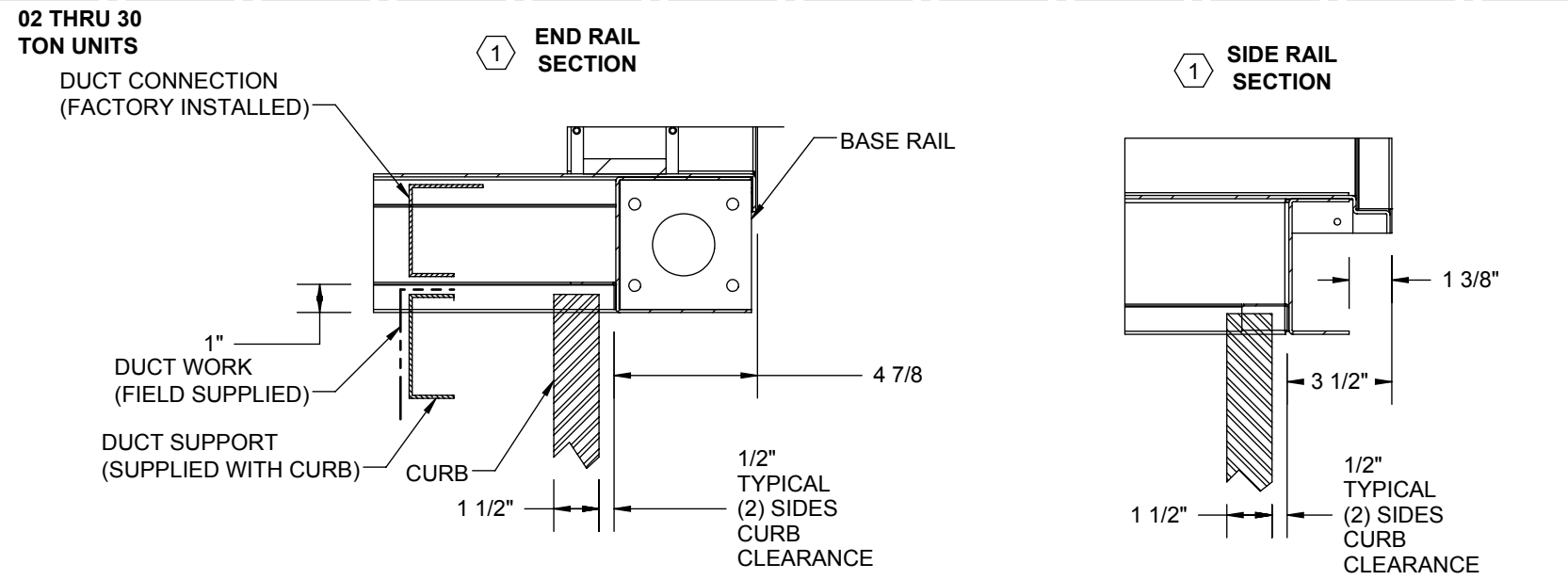
Part weight

Drawn	Date Released	Description
BCL	5/11/2011	PACKAGED
Sheet	1/5	Page Title
		GENERAL ARRANGEMENT
Scale	Rev.	Drawing Number
NTS	3	G805-004

NOTES:  
REFER TO SHEET 1 FOR GENERAL NOTES.



AIR FLOW	UNIT SIZE (TONS)	UNIT CABINET SIZES	R	Z
DOWNFLOW	02	24	27 1/4	30 1/4
	03		27 1/4	30 1/4
	05		27 1/4	30 1/4
	08	36	42 3/8	42 3/8
	10		42 3/8	42 3/8
	15		42 3/8	42 3/8
	20	44	45	44 7/8
TOPFLOW	25	50	45 3/4	45 3/4
	30		45 3/4	45 3/4
	02	24	27 1/4	30 1/4
	03		27 1/4	30 1/4
	05		27 1/4	30 1/4
	08	36	42 3/8	42 3/8
	10		42 3/8	42 3/8
15	42 3/8		42 3/8	
20	44	45	44 7/8	
25	50	45 3/4	45 3/4	
30		45 3/4	45 3/4	



UNIT SIZE (TONS)	CAB	DA PART #			NOM W	NOM H	QTY
		4" MERV 7/8	4" MERV	2" PRE			
2-5	24	870-056	870-133	870-057	18	24	2
8-15	36	870-028	870-128	870-022	16	20	6
		870-028	870-128	870-022	16	20	4
20	44	870-010	870-129	870-005	20	20	2
25-30	50	870-041	870-131	870-043	20	24	6

CUSTOMER CONNECTION LINE SIZE SUMMARY (in.)									
Unit Size	2 TONS	3 TONS	5 TONS	8 TONS	10 TONS	15 TONS	20 TONS	25 TONS	30 TONS
CONDENSATE	1	1	1	1	1	1	1	1	1

Desert Aire has a policy of continuous product and quality improvement. Specifications and dimensions are subject to change without notice. This drawing and information contained herein are the exclusive property of the Desert Aire Corporation. Any use detrimental to the interests of Desert Aire is prohibited.

All Dimensions in Inches  
All Angles 90°  
All outside corners 0.125" fillet  
Unless Otherwise Specified



Part weight

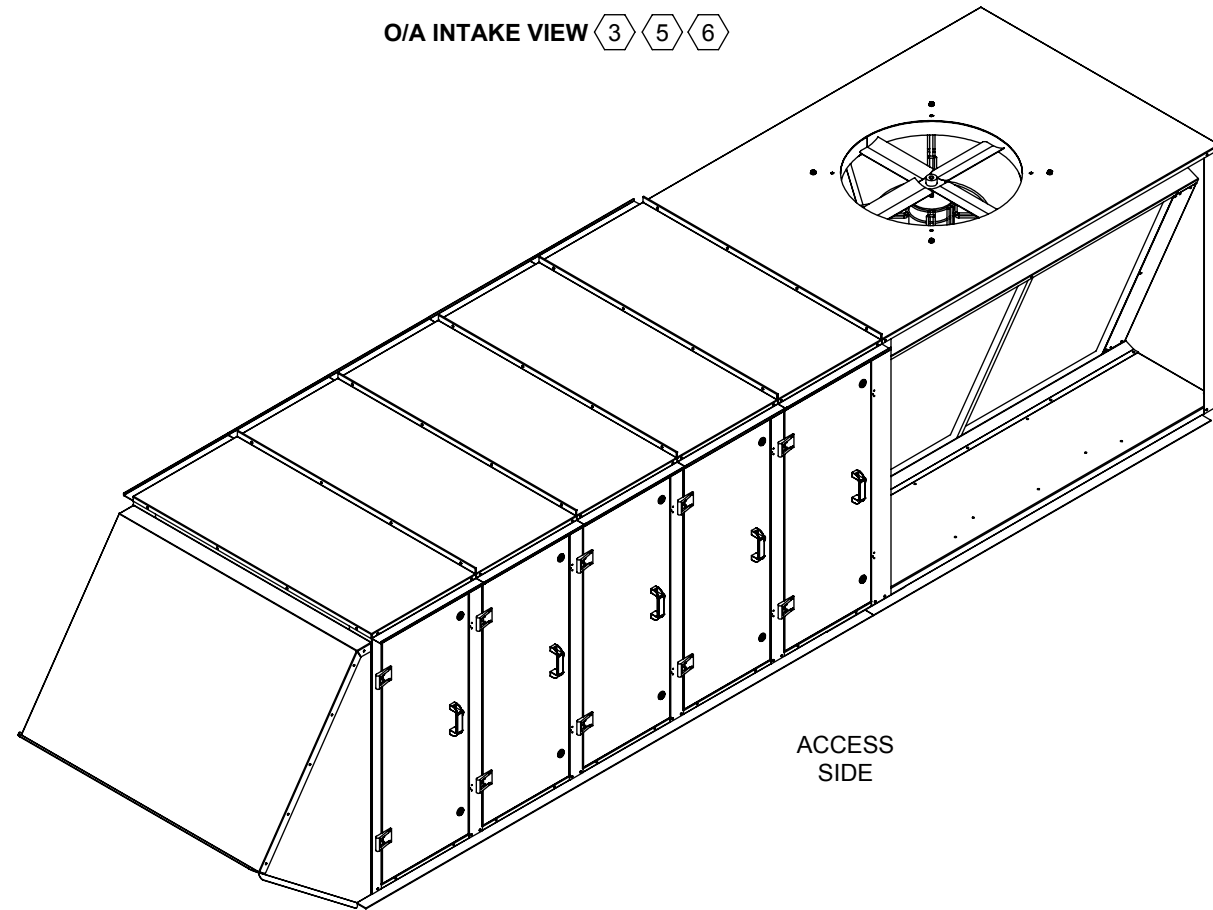
Tolerance Unless Otherwise Specified  
X.X ±.125  
X.XX ±.060  
X.XXX ±.030  
Angles ±1°



N120 W18485 FREISTADT RD  
GERMANTOWN, WI 53022  
Tel: (262) 946-7400  
Fax: (262) 946-7401

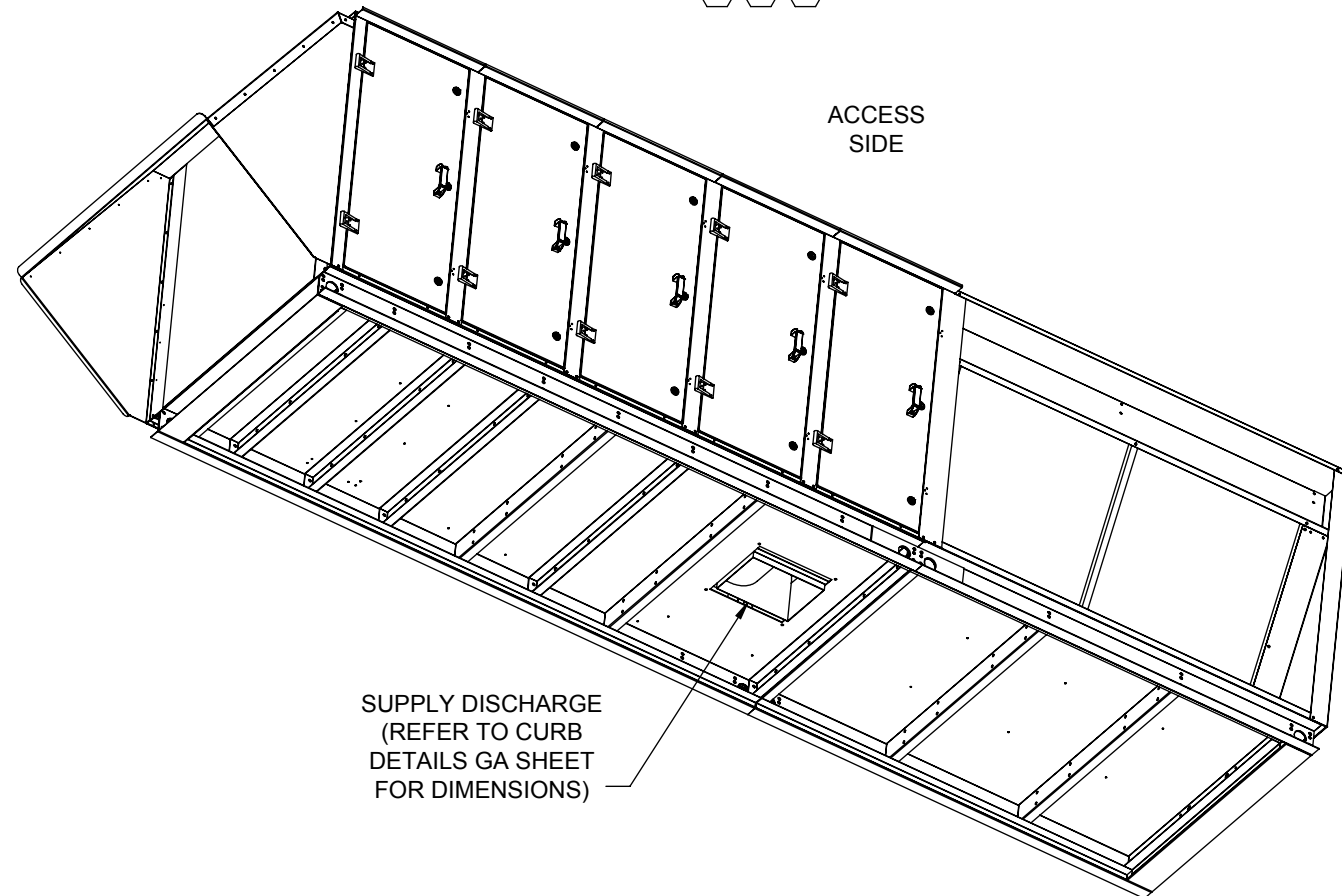
Drawn	Date Released	Description
BCL	5/11/2011	PACKAGED
Sheet	2/5	Page Title
		CUSTOMER INTERFACE GA
Scale	Rev.	Drawing Number
NTS	3	G805-004

O/A INTAKE VIEW 3 5 6



ACCESS SIDE

DISCHARGE VIEW 3 5 6



ACCESS SIDE

SUPPLY DISCHARGE  
(REFER TO CURB  
DETAILS GA SHEET  
FOR DIMENSIONS)

**NOTES:**

REFER TO SHEET 1 FOR GENERAL NOTES.

WEIGHTS SHOWN REFLECT FULLY OPTIONED ESTIMATED UNIT WEIGHT.

REFER TO CURB DETAILS GA SHEET FOR SUPPLY DUCT DIMENSION AND LOCATIONS.

UNIT SIZE (TONS)	UNIT CABINET SIZES	DOWN DISCHARGE
		TOTAL EST. WEIGHT (LBS.)
02	24	1445
03		1494
05		1736
08	36	2450
10		2651
15		3077
20	44	3600
25		4291
30		4835

Desert Aire has a policy of continuous product and quality improvement. Specifications and dimensions are subject to change without notice. This drawing and information contained herein are the exclusive property of the Desert Aire Corporation. Any use detrimental to the interests of Desert Aire is prohibited.

All Dimensions in Inches  
All Angles 90°  
All outside corners 0.125" fillet  
Unless Otherwise Specified

Tolerance Unless Otherwise Specified  
X.X ±.125  
X.XX ±.060  
X.XXX ±.030  
Angles ±1°



N120 W18485 FREISTADT RD  
GERMANTOWN, WI 53022  
Tel: (262) 946-7400  
Fax: (262) 946-7401

Third Angle Projection

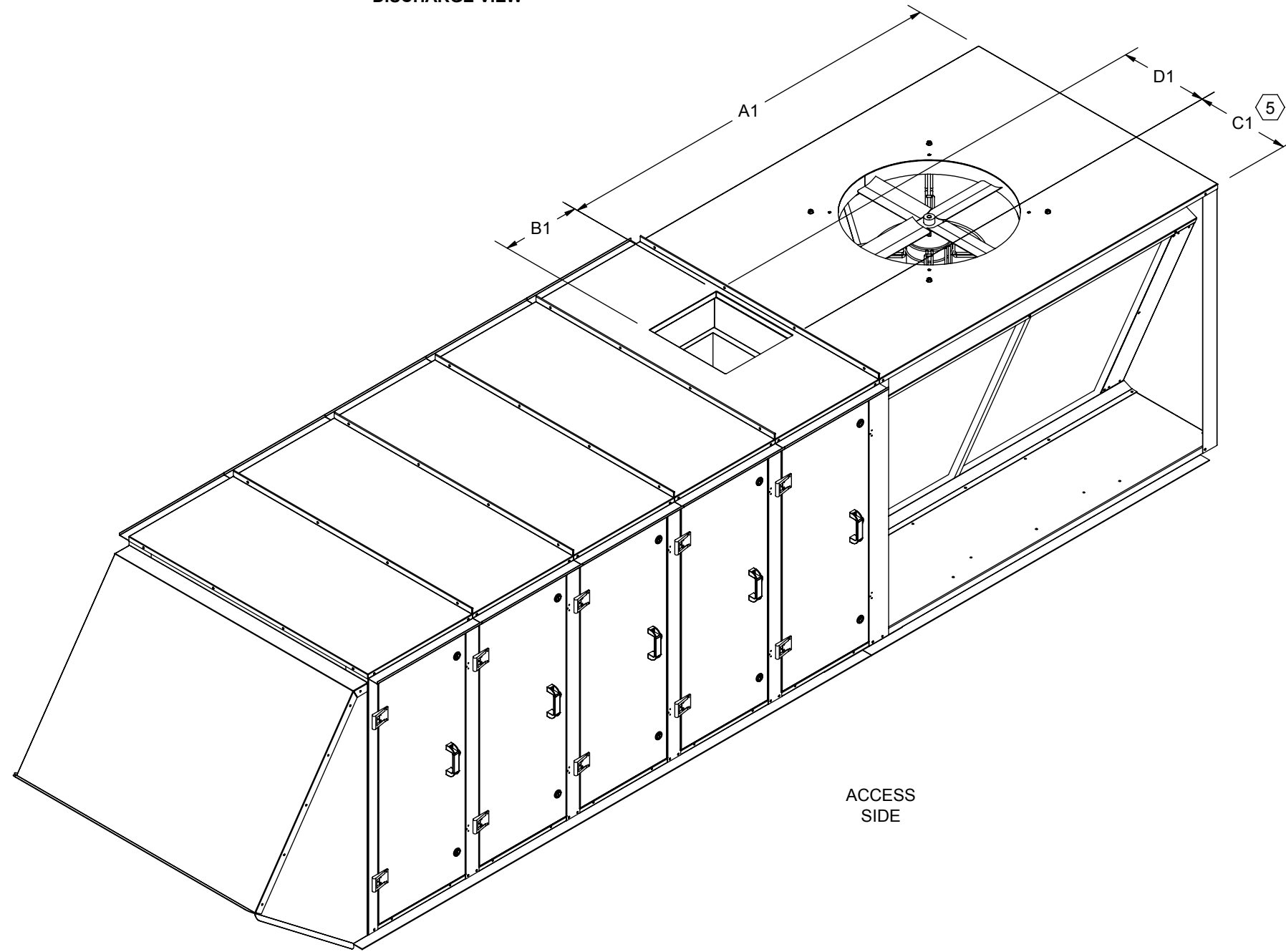
ALL DIMENSIONS ARE IN INCHES  
FRACTIONAL TOLERANCE ± 1/8"

Part weight

Drawn	Date Released	Description
BCL	5/11/2011	PACKAGED
Sheet	3/5	Page Title
Scale	NTS	DOWN DISCHARGE GA
Rev.	3	Drawing Number
		G805-004

**NOTES:**  
 REFER TO SHEET 1 FOR GENERAL NOTES.  
 WEIGHTS SHOWN REFLECT FULLY OPTIONED  
 ESTIMATED UNIT WEIGHT.

O/A INTAKE /  
 DISCHARGE VIEW 3 5 6



ACCESS  
 SIDE

UNIT SIZE (TONS)	UNIT CABINET SIZES	TOP DISCHARGE				TOTAL EST. WEIGHT (LBS.)
		SUPPLY DISCHARGE (in.)				
		A1	B1	C1 <span style="border: 1px solid black; border-radius: 50%; padding: 2px;">5</span>	D1	
02	24	40 3/4	13 3/4	13 5/8	9 7/8	1445
03		40 3/4	13 3/4	13 5/8	9 7/8	1494
05		55 1/8	12 1/2	13 5/8	9 7/8	1736
08	36	70 3/4	17	16 5/8	15 3/4	2450
10		70 3/4	17	16 5/8	15 3/4	2651
15		70 3/4	17	16 5/8	15 3/4	3077
20	44	88 5/8	29 3/8	17 7/8	18 3/4	3600
25		102 1/8	29 3/8	19 1/2	22 1/8	4291
30		135 7/8	29 3/8	19 1/2	22 1/8	4835

Desert Aire has a policy of continuous product and quality improvement. Specifications and dimensions are subject to change without notice. This drawing and information contained herein are the exclusive property of the Desert Aire Corporation. Any use detrimental to the interests of Desert Aire is prohibited.

ALL DIMENSIONS ARE IN INCHES  
 FRACTIONAL TOLERANCE  $\pm 1/8"$

All Dimensions in Inches  
 All Angles 90°  
 All outside corners 0.125" fillet  
 Unless Otherwise Specified



Third Angle Projection

Part weight

Tolerance Unless  
 Otherwise Specified  
 X.X  $\pm .125$   
 X.XX  $\pm .060$   
 X.XXX  $\pm .030$   
 Angles  $\pm 1^\circ$

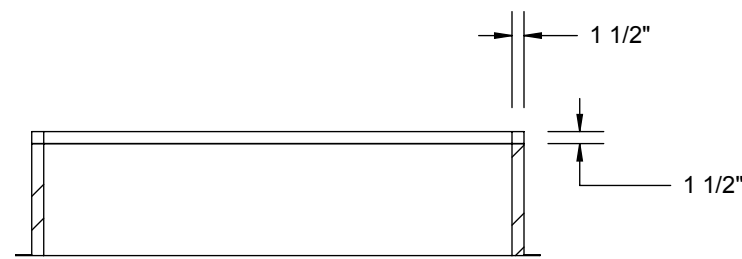


N120 W18485 FREISTADT RD  
 GERMANTOWN, WI 53022  
 Tel: (262) 946-7400  
 Fax: (262) 946-7401

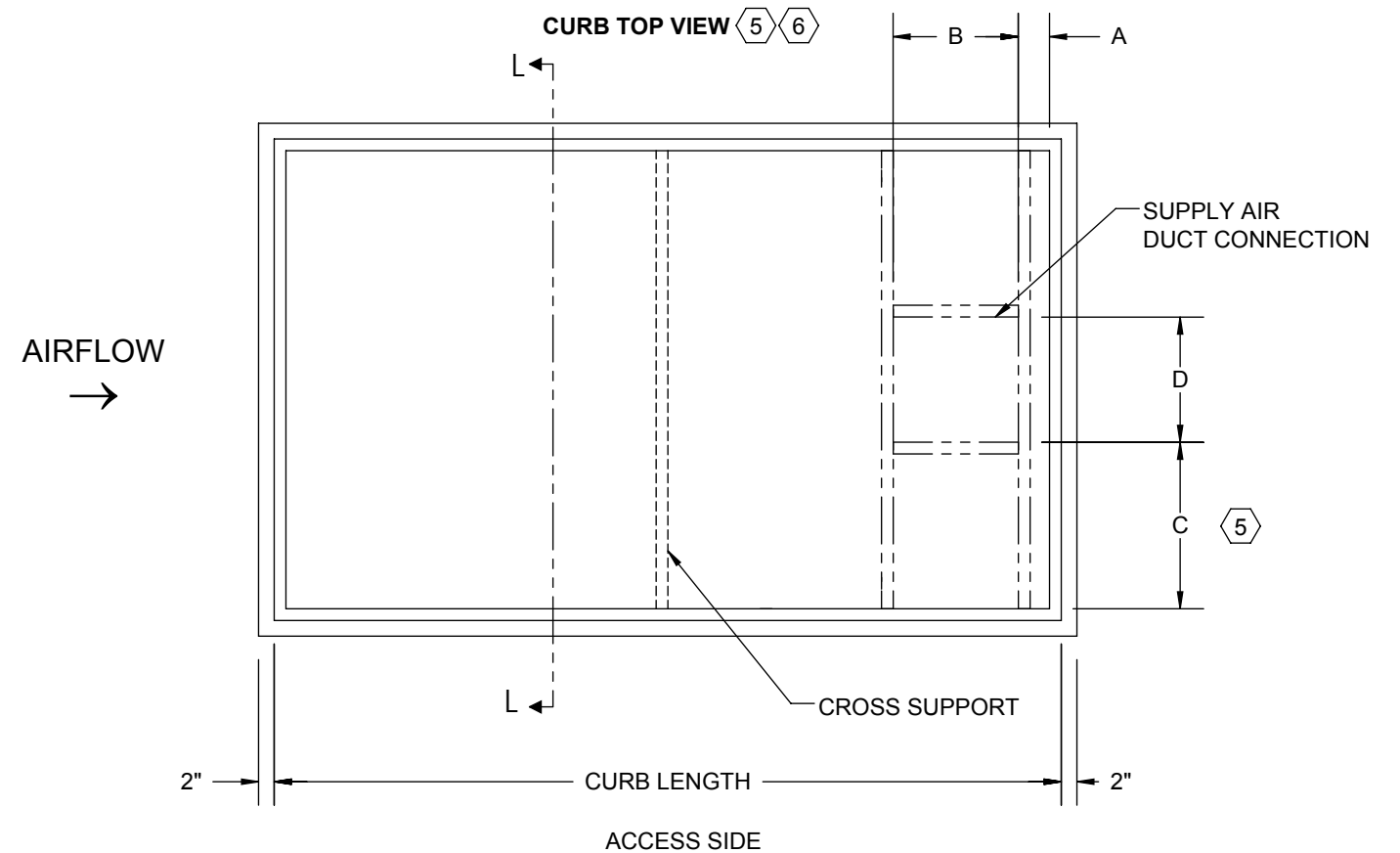
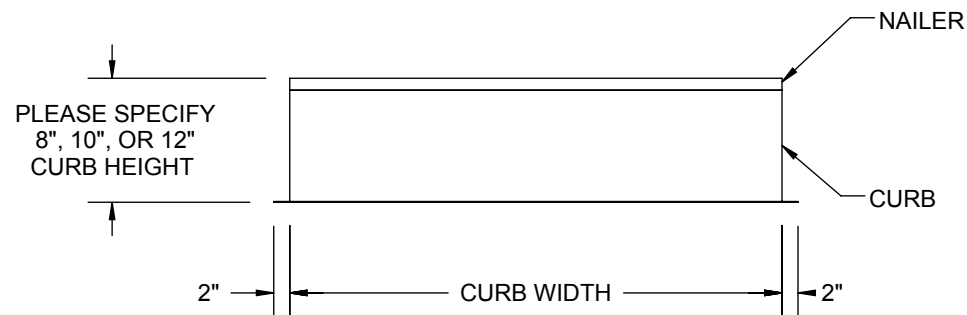
Drawn	Date Released	Description
BCL	5/11/2011	PACKAGED
Sheet	4/5	Page Title
		TOP DISCHARGE GA
Scale	Rev.	Drawing Number
NTS	3	G805-004

**NOTES:**  
 REFER TO SHEET 1 FOR GENERAL NOTES.  
 CURBS 120" AND LESS ARE SHIPPED AS COMPLETE CURBS. GREATER THAN 120" ARE SHIPPED KNOCKED DOWN.  
 NUMBER AND LOCATION OF CROSS SUPPORT(S) IS DEPENDANT UPON THE GAUGE OF MATERIAL USED TO CONSTRUCT THE CURB, DUCT SUPPORT CONFIGURATION, LENGTH OF CURB AND WIDTH OF CURB. INSTALLATION INSTRUCTIONS INCLUDED WITH CURB SHIPMENT INDICATE THE REQUIRED POSITION FOR FIELD ASSEMBLED CURBS

UNIT SIZE (TONS)	UNT CABINET SIZES	TOP FLOW ROOFCURB DIMS			DOWN FLOW ROOFCURB DIMS						
		CURB P/N	WIDTH (in.)	LENGTH (in.)	CURB P/N	WIDTH (in.)	LENGTH (in.)	SUPPLY DISCHARGE (in.)			
								A	B	C <sup>(5)</sup>	D
02	24	CB02NPBN03-XX	29 1/8	109 1/8	CB02NPCN03-XX	29 1/8	109 1/8	35 1/2	11 1/2	8 1/8	9 7/8
03		CB03NPBN03-XX	29 1/8	109 1/8	CB03NPCN03-XX	29 1/8	109 1/8	35 1/2	11 1/2	8 1/8	9 7/8
05		CB05NPBN03-XX	29 1/8	123 1/2	CB05NPCN03-XX	29 1/8	123 1/2	49 7/8	11 1/2	8 1/8	9 7/8
08	36	CB08NPBN05-XX	41 1/8	164 1/8	CB08NPCN05-XX	41 1/8	164 1/8	65 1/2	13 3/4	11 1/8	15 3/4
10		CB10NPBN05-XX	41 1/8	164 1/8	CB10NPCN05-XX	41 1/8	164 1/8	65 1/2	13 3/4	11 1/8	15 3/4
15		CB15NPBN05-XX	41 1/8	164 1/8	CB15NPCN05-XX	41 1/8	164 1/8	65 1/2	13 3/4	11 1/8	15 3/4
20	44	CB20NPBN05-XX	46 1/2	188 1/2	CB20NPCN05-XX	46 1/2	188 1/2	83 3/8	16	12 3/8	18 3/4
25	50	CB25NPBN05-XX	53 1/8	204 5/8	CB25NPCN05-XX	53 1/8	204 5/8	101	19	14	22 1/8
30		CB30NPBN05-XX	53 1/8	238 1/4	CB30NPCN05-XX	53 1/8	238 1/4	134 5/8	19	14	22 1/8



SECTION L-L



----- DUCT CONNECTIONS FOR DOWN DISCHARGE

Desert Aire has a policy of continuous product and quality improvement. Specifications and dimensions are subject to change without notice. This drawing and information contained herein are the exclusive property of the Desert Aire Corporation. Any use detrimental to the interests of Desert Aire is prohibited.	All Dimensions in Inches All Angles 90° All outside corners 0.125" fillet Unless Otherwise Specified	Tolerance Unless Otherwise Specified X.X ±.125 X.XX ±.060 X.XXX ±.030 Angles ±1°	N120 W18485 FREISTADT RD GERMANTOWN, WI 53022 Tel: (262) 946-7400 Fax: (262) 946-7401	
				Drawn: BCL Date Released: 5/11/2011 Description: PACKAGED
				Sheet: 5/5 Page Title: CURB DETAILS GA
ALL DIMENSIONS ARE IN INCHES FRACTIONAL TOLERANCE ± 1/8"	Third Angle Projection	Scale: NTS Rev: 3	Drawing Number: G805-004	