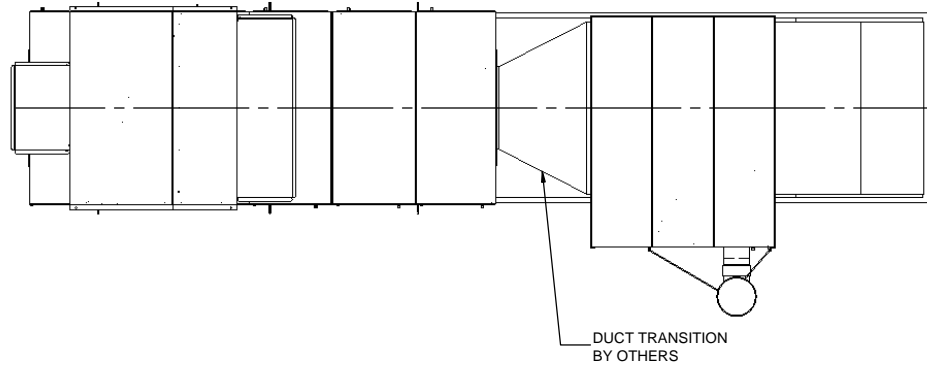
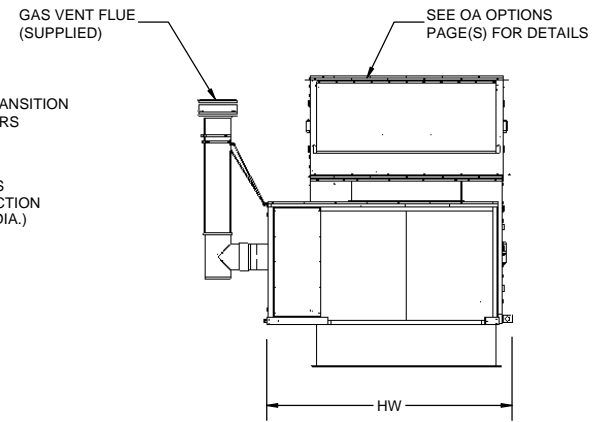
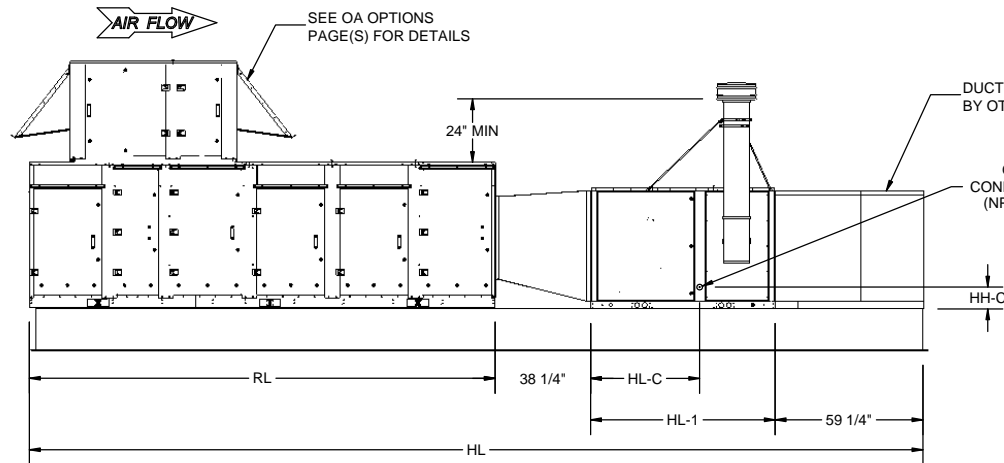


G900-007-G



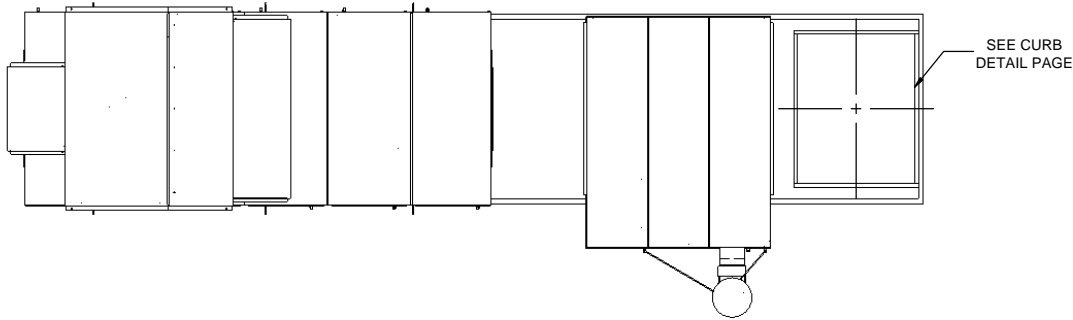
HEATER SIZE	RL	HL	HL-C	HL-1	HH-C	HW	NPT DIA.
HF400	186 3/4	344 1/4	37 1/2	60	8	94 1/4	1
HF550	186 3/4	344 1/4	38 1/4	60	7	94 1/4	1 1/4
HF750	186 3/4	358 1/4	43 3/8	74	7 1/8	98 1/4	1 1/4
HF1000	186 3/4	364 1/4	45	80	7 3/8	101 1/4	1 1/2
HF1250	186 3/4	370 1/4	45	86	7 3/8	101 1/4	1 1/2



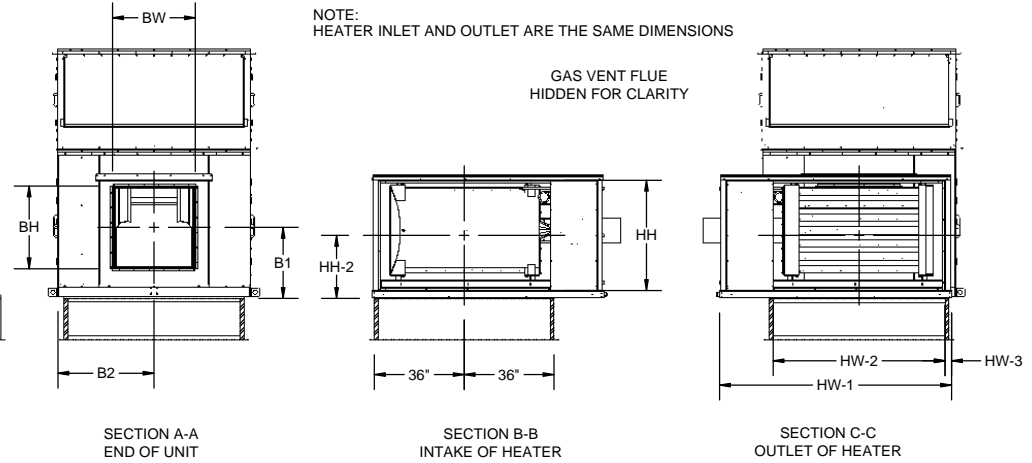
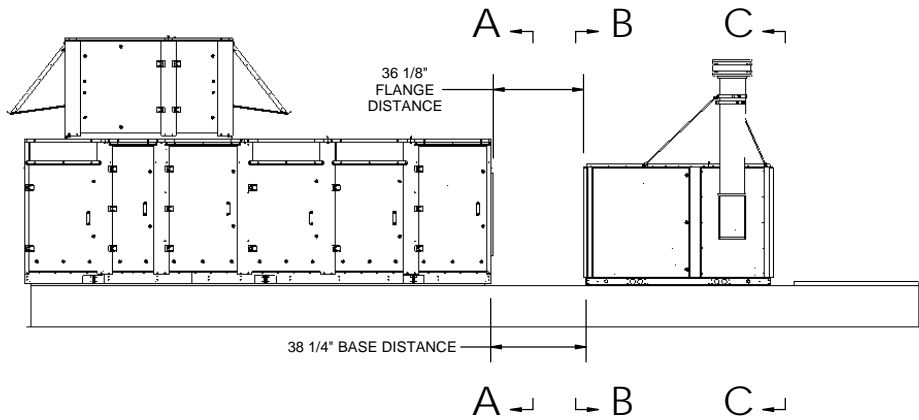
NOTE:
CONSULT MAIN GENERAL ARRANGEMENT DRAWING FOR UNIT SPECIFIC DIMENSIONS.
CONSULT FACTORY FOR INDOOR APPLICATIONS.

Desert Aire has a policy of continuous product and quality improvement. Specifications and dimensions are subject to change without notice. This drawing and information contained herein are the exclusive property of the Desert Aire Corporation. Any use detrimental to the interests of Desert Aire is prohibited.	All Dimensions in Inches All Angles 90° All outside corners 0.125" fillet Unless Otherwise Specified	Tolerance Unless Otherwise Specified X.X ±.125 X.XX ±.060 X.XXX ±.030 Angles ±1°	N120 W18485 FREISTADT RD GERMANTOWN, WI 53022 Tel: (262) 946-7400 Fax: (262) 946-7401
	Third Angle Projection	Drawn: MHB Date Released: 4/8/2015	
	ALL DIMENSIONS ARE IN INCHES TOLERANCE ± 1/8"	Part weight:	Sheet: 1/6 Scale: NTS

G900-007-G



BLOWER NUMBER, BLOWER OPENING HEIGHT, BLOWER OPENING WIDTH											
18 TON				20 TON							
BLOWER	BH	BW	B2	BLOWER	BH	BW	B2				
ATLI 15-11	17 1/2	16 5/16	38 1/2	ATLI 15-11	17 1/2	16 5/16	38 1/2				
ATLI 18-13	20 7/16	19	38 1/2	ATLI 18-13	20 7/16	19	38 1/2				
ATZAF 18-18	20 7/16	23 7/16	38 1/2	ATZAF 18-18	20 7/16	23 7/16	38 1/2				
ATZAF 20-20	26 3/4	26 3/4	38 1/2	ATZAF 20-20	26 3/4	26 3/4	38 1/2				
ATZAF 22-22	-	-	-	ATZAF 22-22	-	-	-				
24 TON				30 TON							
BLOWER	BH	BW	B2	BLOWER	BH	BW	B2				
ATLI 18-13	20 7/16	19	38 1/2	ATLI 18-18	20 7/16	23 9/16	38 1/2				
ATLI 18-18	20 7/16	23 9/16	38 1/2	ATLI 20-15	26 3/4	21 3/4	38 1/2				
ATZAF 20-20	26 3/4	26 3/4	38 1/2	ATZAF 20-20	26 3/4	26 3/4	38 1/2				
ATZAF 22-22	29 3/4	29 3/4	38 1/2	ATZAF 25-25	33 3/16	33 3/16	38 1/2				
ATZAF 25-25	33 3/16	33 3/16	38 1/2								



NOTE:
HEATER INLET AND OUTLET ARE THE SAME DIMENSIONS

HEATER SIZE	B1 ATLI 15-11	B1 ATLI 18-13	B1 ATLI 18-18	B1 ATLI 20-15	B1 ATZAF 18-18	B1 ATZAF 20-20	B1 ATZAF 22-22	B1 ATZAF 25-25	HW-1	HW-2	HW-3	HH	HH-2
HF400	24 7/8	25 3/8	25 3/8	26 3/8	25 3/8	26 1/2	26 7/8	27 1/2	85	61	2 5/8	38	22 1/8
HF550	27 7/8	27 7/8	28 1/2	29 3/8	27 7/8	28 1/2	29 7/8	28 1/2	85	61	2 5/8	44	25 1/8
HF750	27 7/8	27 7/8	28 1/2	29 3/8	27 7/8	28 1/2	29 7/8	28 1/2	93	69	2 5/8	44 1/4	25 1/4
HF1000	-	-	31 1/2	32 3/8	-	26 1/2	30 7/8	33 1/2	99	75	2 5/8	50	28 1/8
HF1250	-	-	31 1/2	32 3/8	-	26 1/2	30 7/8	33 1/2	99	75	2 5/8	50	28 1/8

Desert Aire has a policy of continuous product and quality improvement. Specifications and dimensions are subject to change without notice. This drawing and information contained herein are the exclusive property of the Desert Aire Corporation. Any use detrimental to the interests of Desert Aire is prohibited.

All Dimensions in Inches
All Angles 90°
All outside corners 0.125" fillet
Unless Otherwise Specified

Tolerance Unless Otherwise Specified
X.X ±.125
X.XX ±.060
X.XXX ±.030
Angles ±1°

Drawn: MHB, Date Released: 4/8/2015, Description: GA SA 18-30T GAS HTR

Third Angle Projection

Part weight

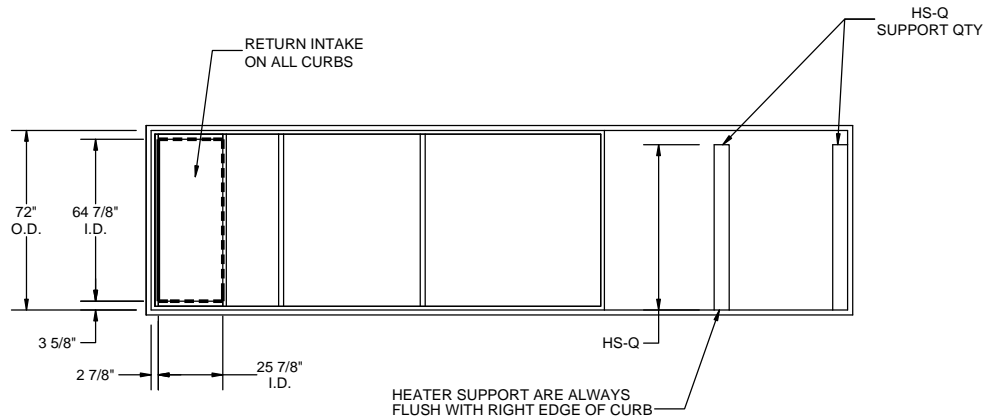
Scale: NTS, Rev: 0

Page Title: BLOWER & HEATER CONNECTIONS

Sheet: 2/6, Drawing Number: G900-007-G

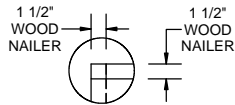
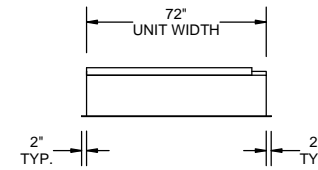
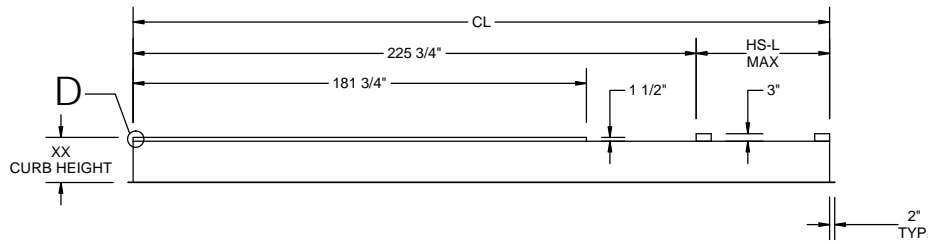
DESERT AIRE
N120 W18485 FREISTADT RD
GERMANTOWN, WI 53022
Tel: (262) 946-7400
Fax: (262) 946-7401

G900-007-G



HEATER CONNECTION SIZES - END DISCHARGE					
CURB PN	HEATER SIZE	HS-W	HS-Q	HS-L	CL
CB-SNBX-XX-0400	HF400	66 1/4	2	53 1/2	279 1/2
CB-SNBX-XX-0550	HF550	66 1/4	2	53 1/2	279 1/2
CB-SNBX-XX-0750	HF750	70 1/4	2	67 1/2	293 1/2
CB-SNBX-XX-1000	HF1000	72	2	73 1/2	299 1/2
CB-SNBX-XX-1250	HF1250	72	2	79 1/2	305 1/2

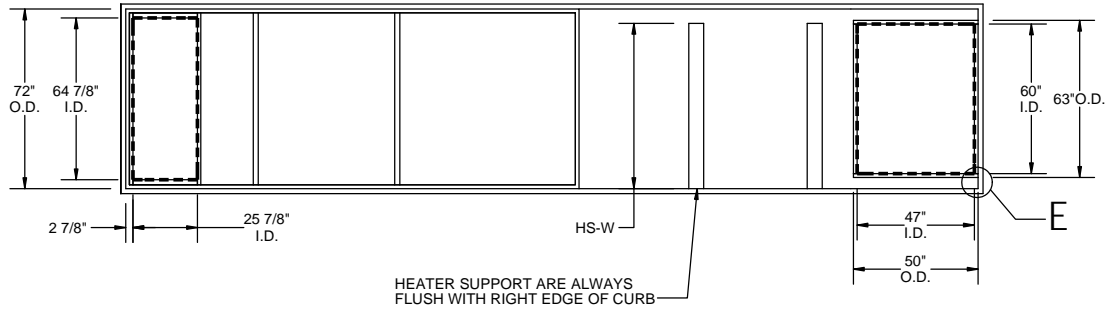
CURB HEIGHT IN INCHES DESIGNATED BY XX IN THE CURB PART NUMBER



DETAIL D
SCALE 1 : 12

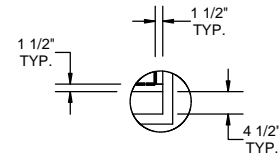
1. GALVANIZED STEEL CONSTRUCTION.
2. FULLY WELDED WATERTIGHT ONE PIECE CURB.
3. PRIME PAINTED AFTER FABRICATION.
4. THE CURB HAS 1-1/2" THICK 3LB/FT³ FIBERGLASS PERIMETER INSULATION.
5. INTERNAL ANGLE REINFORCEMENT AS NEEDED.
6. CURB TO BE CURBS PLUS INC. CPC-3 STYLE.

Desert Aire has a policy of continuous product and quality improvement. Specifications and dimensions are subject to change without notice. This drawing and information contained herein are the exclusive property of the Desert Aire Corporation. Any use detrimental to the interests of Desert Aire is prohibited.	All Dimensions in Inches All Angles 90° All outside corners 0.125" fillet Unless Otherwise Specified	Tolerance Unless Otherwise Specified X.X ±.125 X.XX ±.060 X.XXX ±.030 Angles ±1°	 N120 W18485 FREISTADT RD GERMANTOWN, WI 53022 Tel: (262) 946-7400 Fax: (262) 946-7401
ALL DIMENSIONS ARE IN INCHES TOLERANCE ± 1/8"		Third Angle Projection	
		Sheet: 3/6 Scale: NTS Rev: 0 Drawing Number: G900-007-G	Page Title: END DISCHARGE Drawing Number: G900-007-G

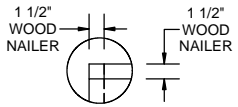
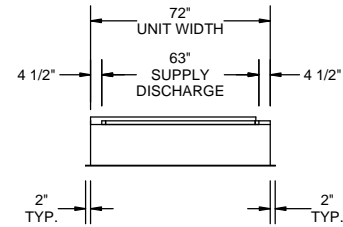
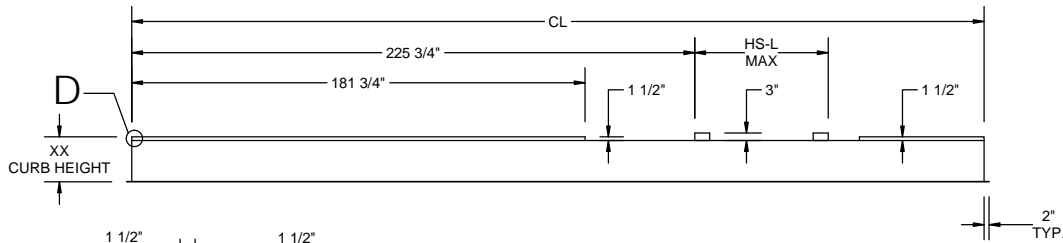


HEATER CONNECTION SIZES - DOWN DISCHARGE					
CURB PN	HEATER SIZE	HS-W	HS-Q	HS-L	CL
CB-SNBX-XX-0400	HF400	66 1/4	2	53 1/2	341 3/4
CB-SNBX-XX-0550	HF550	66 1/4	2	53 1/2	341 3/4
CB-SNBX-XX-0750	HF750	70 1/4	2	67 1/2	355 3/4
CB-SNBX-XX-1000	HF1000	72	2	73 1/2	361 3/4
CB-SNBX-XX-1250	HF1250	72	2	79 1/2	367 3/4

CURB HEIGHT IN INCHES DESIGNATED BY XX IN THE CURB PART NUMBER



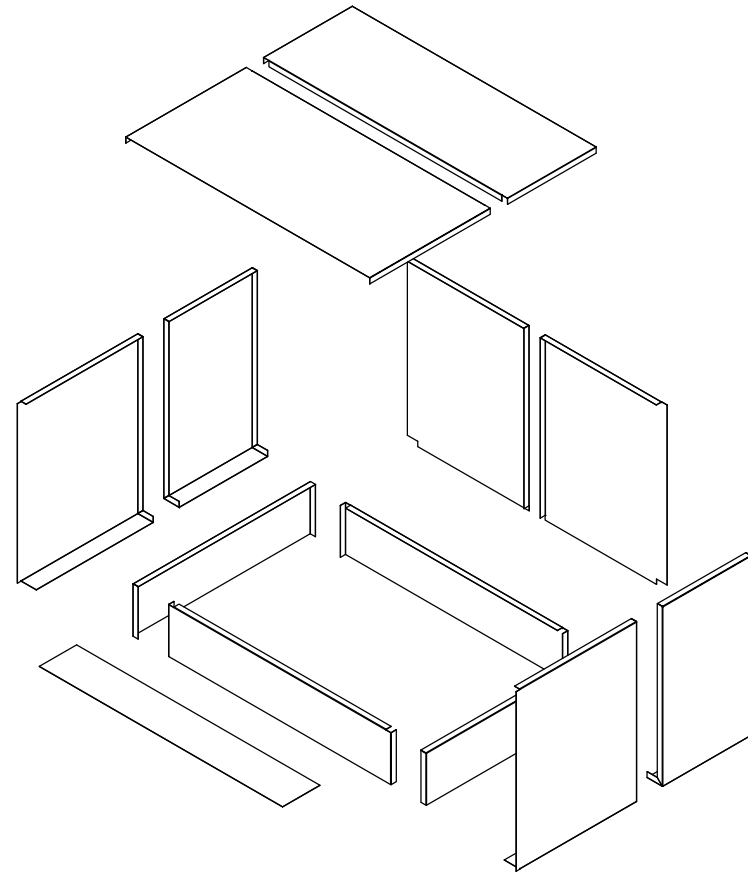
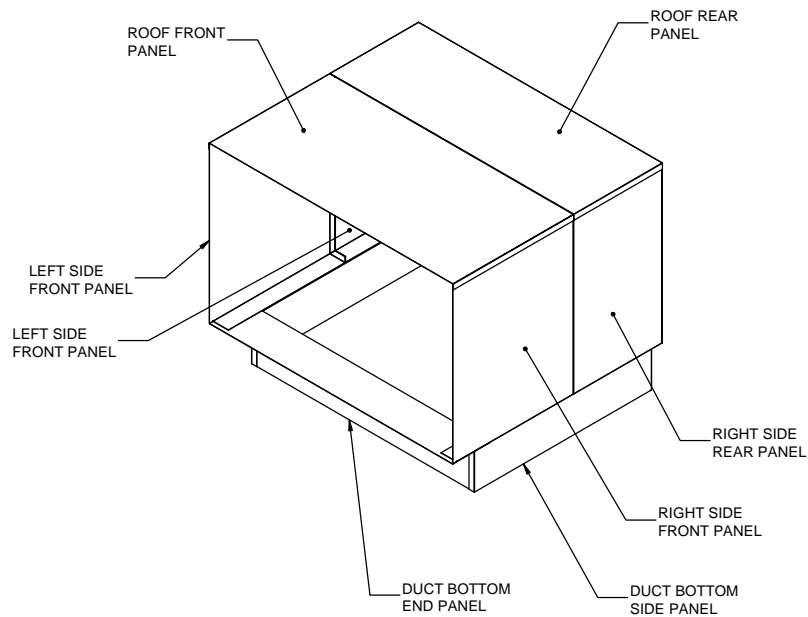
DETAIL E
SCALE 1 : 24




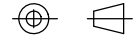
DETAIL D
SCALE 1 : 12

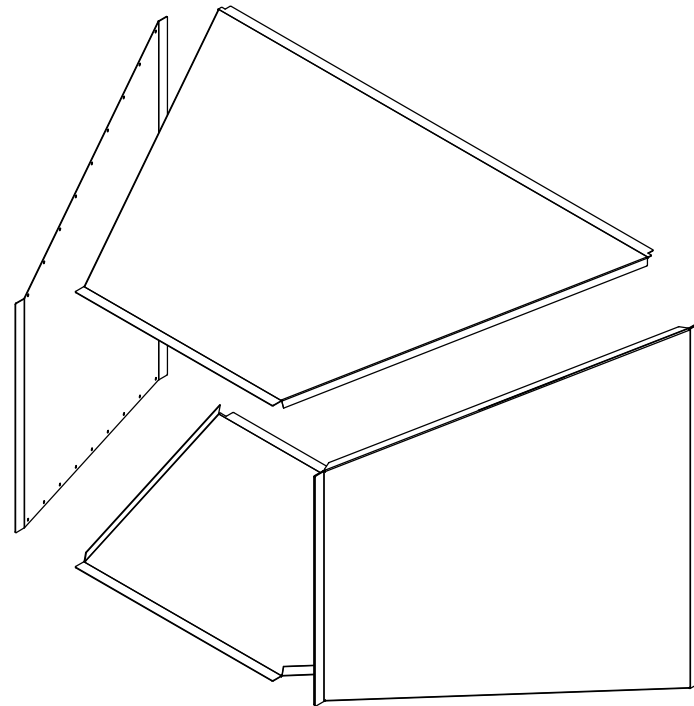
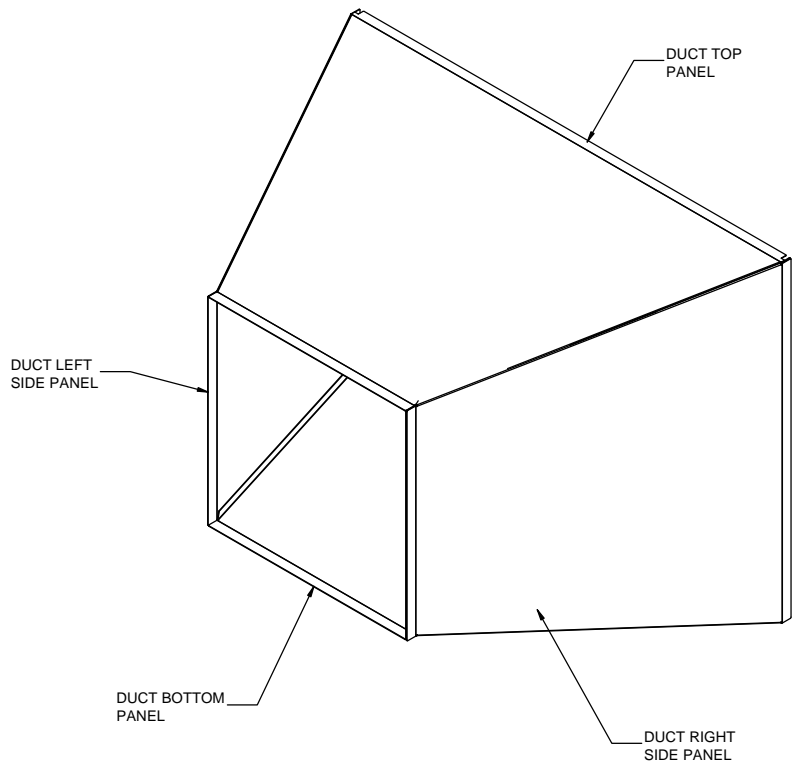
1. GALVANIZED STEEL CONSTRUCTION.
2. FULLY WELDED WATERTIGHT ONE PIECE CURB.
3. PRIME PAINTED AFTER FABRICATION.
4. THE CURB HAS 1-1/2" THICK 3LB/FT³ FIBERGLASS PERIMETER INSULATION.
5. INTERNAL ANGLE REINFORCEMENT AS NEEDED.
6. CURB TO BE CURBS PLUS INC. CPC-3 STYLE.

Desert Aire has a policy of continuous product and quality improvement. Specifications and dimensions are subject to change without notice. This drawing and information contained herein are the exclusive property of the Desert Aire Corporation. Any use detrimental to the interests of Desert Aire is prohibited.	All Dimensions in Inches All Angles 90° All outside corners 0.125" fillet Unless Otherwise Specified	Tolerance Unless Otherwise Specified X.X ±.125 X.XX ±.060 X.XXX ±.030 Angles ±1°	<p>N120 W18485 FREISTADT RD GERMANTOWN, WI 53022 Tel: (262) 946-7400 Fax: (262) 946-7401</p>
		Drawn: MHB Date Released: 4/8/2015 Description: GA SA 18-30T GAS HTR	
ALL DIMENSIONS ARE IN INCHES TOLERANCE ± 1/8"		Third Angle Projection	Sheet: 4/6 Description: DOWN DISCHARGE
Part weight	Scale: NTS	Rev: 0	Drawing Number: G900-007-G


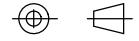


DUCT TRANSITION BY OTHERS.
 DUCT ASSEMBLY IS FOR REFERENCE ONLY!
 ALTERNATE CONSTRUCTION IS ACCEPTABLE.

Desert Aire has a policy of continuous product and quality improvement. Specifications and dimensions are subject to change without notice. This drawing and information contained herein are the exclusive property of the Desert Aire Corporation. Any use detrimental to the interests of Desert Aire is prohibited.	All Dimensions in Inches All Angles 90° All outside corners 0.125" fillet Unless Otherwise Specified	Tolerance Unless Otherwise Specified X.X ±.125 X.XX ±.060 X.XXX ±.030 Angles ±1°	 N120 W18485 FREISTADT RD GERMANTOWN, WI 53022 Tel: (262) 946-7400 Fax: (262) 946-7401
	 Third Angle Projection	Drawn MHB Date Released 4/8/2015	
ALL DIMENSIONS ARE IN INCHES TOLERANCE ± 1/8"	Part weight	Sheet 5/6 Scale NTS	Page Title DOWN DISCHARGE DUCT Rev. 0 Drawing Number G900-007-G



DUCT TRANSITION BY OTHERS.
 DUCT ASSEMBLY IS FOR REFERENCE ONLY!
 ALTERNATE CONSTRUCTION IS ACCEPTABLE.

Desert Aire has a policy of continuous product and quality improvement. Specifications and dimensions are subject to change without notice. This drawing and information contained herein are the exclusive property of the Desert Aire Corporation. Any use detrimental to the interests of Desert Aire is prohibited.	All Dimensions in Inches All Angles 90° All outside corners 0.125" fillet Unless Otherwise Specified	Tolerance Unless Otherwise Specified X.X ±.125 X.XX ±.060 X.XXX ±.030 Angles ±1°	 N120 W18485 FREISTADT RD GERMANTOWN, WI 53022 Tel: (262) 946-7400 Fax: (262) 946-7401
	 Third Angle Projection	Drawn: MHB Date Released: 4/8/2015	
ALL DIMENSIONS ARE IN INCHES TOLERANCE ± 1/8"	Part weight	Sheet: 6/6 Scale: NTS	Page Title: UNIT TO HEATER DUCT Rev.: 0 Drawing Number: G900-007-G