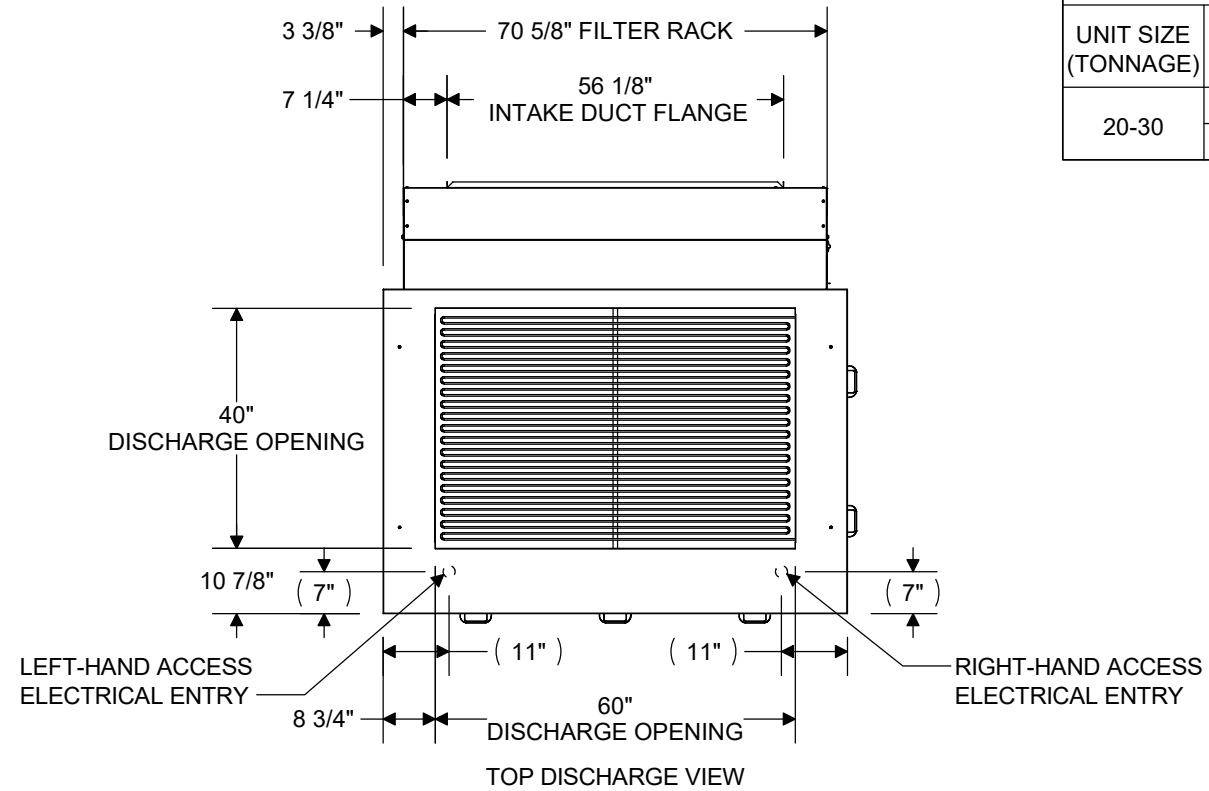


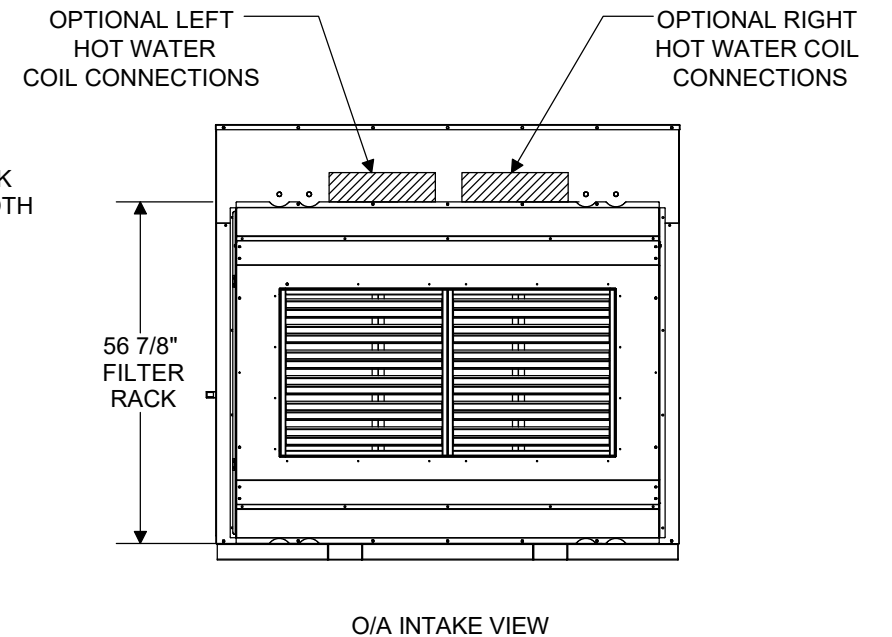
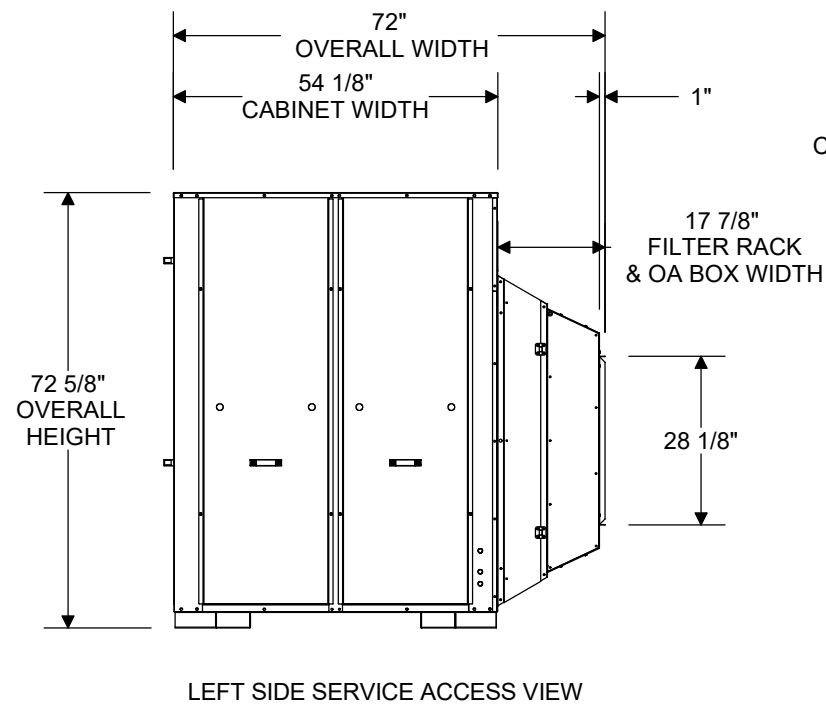
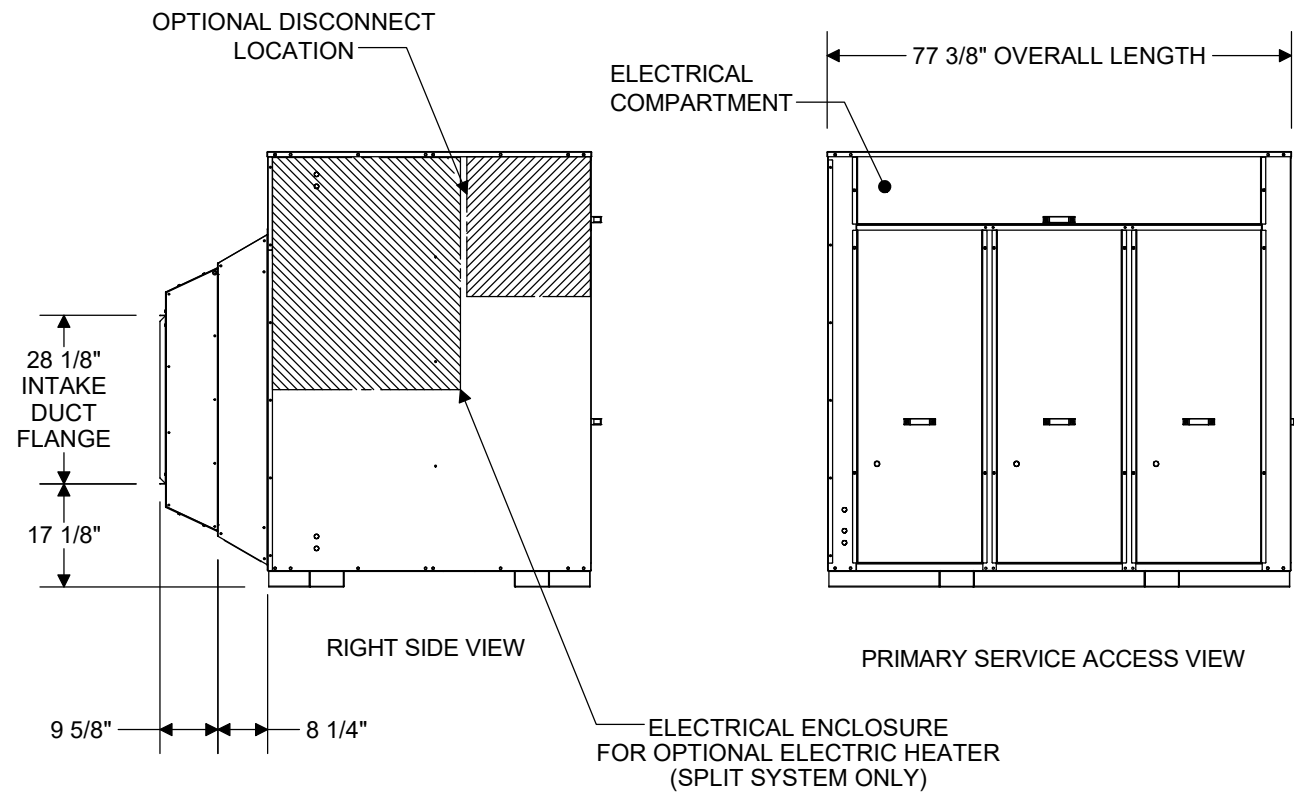
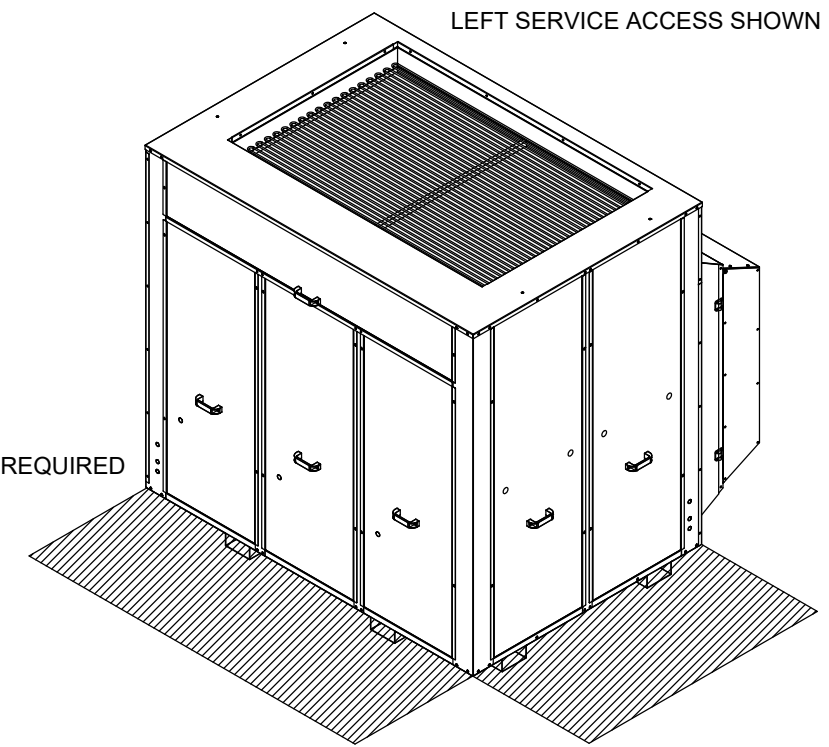
FILTERS

UNIT SIZE (TONNAGE)	4" MERV 11	4" MERV 13	NOM WIDTH	NOM HEIGHT	QTY
20-30	870-103	870-131	20	24	3
	870-108	870-130	24	24	3

LEFT SERVICE ACCESS SHOWN



3' SERVICE CLEARANCE REQUIRED



TONNAGE	WEIGHT
20	3028
25	3202
30	3423

Desert Aire has a policy of continuous product and quality improvement. Specifications and dimensions are subject to change without notice. This drawing and information contained herein are the exclusive property of the Desert Aire Corporation. Any use detrimental to the interests of Desert Aire is prohibited.

All Dimensions in Inches
 All Angles 90°
 All outside corners 0.125" fillet
 Unless Otherwise Specified

Tolerance Unless Otherwise Specified
 X.X ±.125
 X.XX ±.060
 X.XXX ±.030
 Angles ±1°

DESERT AIRE
 N120 W18485 FREISTADT RD
 GERMANTOWN, WI 53022
 Tel: (262) 946-7400
 Fax: (262) 946-7401

Third Angle Projection

Drawn	EAC	Date Released	10/9/2020	Description	GrowAire GV 20-30T VertDsch OA
Sheet	1/3		Page Title GENERAL ASSEMBLY		
Scale	NTS	Rev.	0	Drawing Number G817-009	

ALL DIMENSIONS ARE IN INCHES
 TOLERANCE ± 1/8"

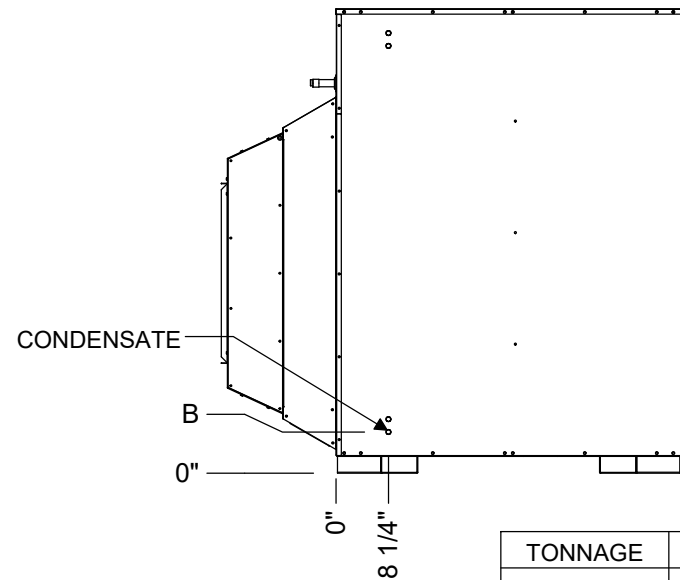
Part weight

UNITS SELECTED WITH LEFT SERVICE ACCESS ONLY

SEE PAGE 3 FOR RIGHT HAND SERVICE

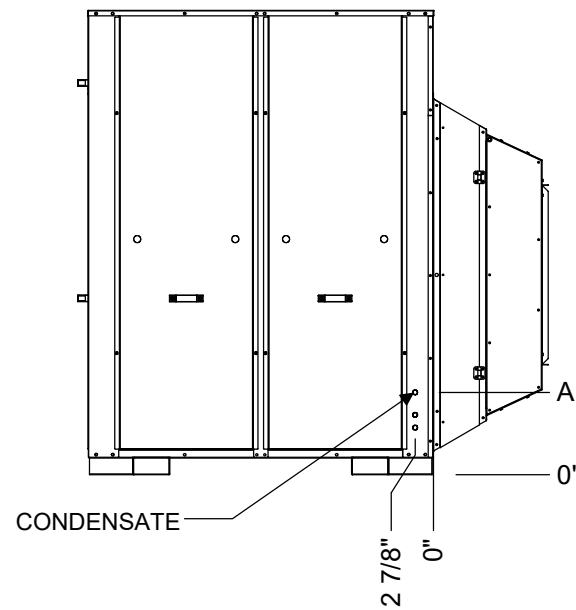
CONDENSATE

RIGHT CONDENSATE OPTION
RIGHT SIDE VIEW



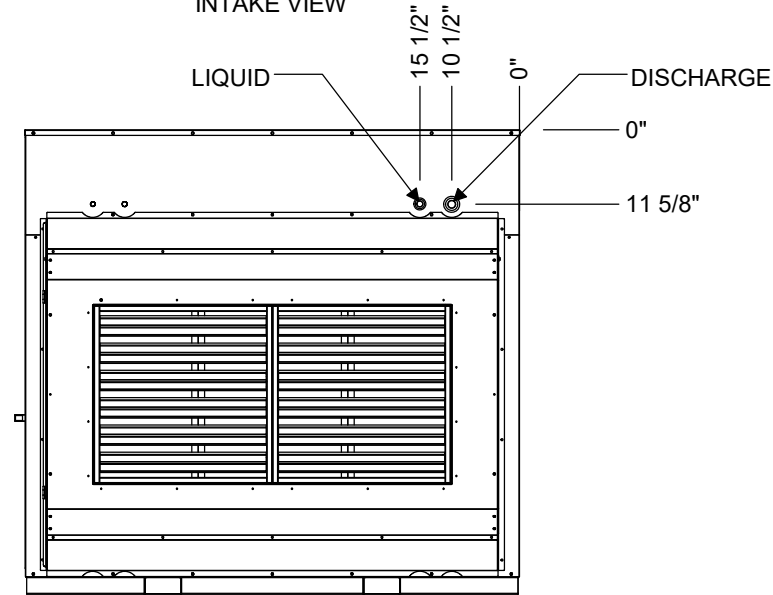
TONNAGE	DIM "A"	DIM "B"
20	12 7/8"	8 1/2"
25	9 3/8"	8 1/2"
30	7 3/8"	6 1/2"

LEFT CONDENSATE OPTION
LEFT SIDE VIEW

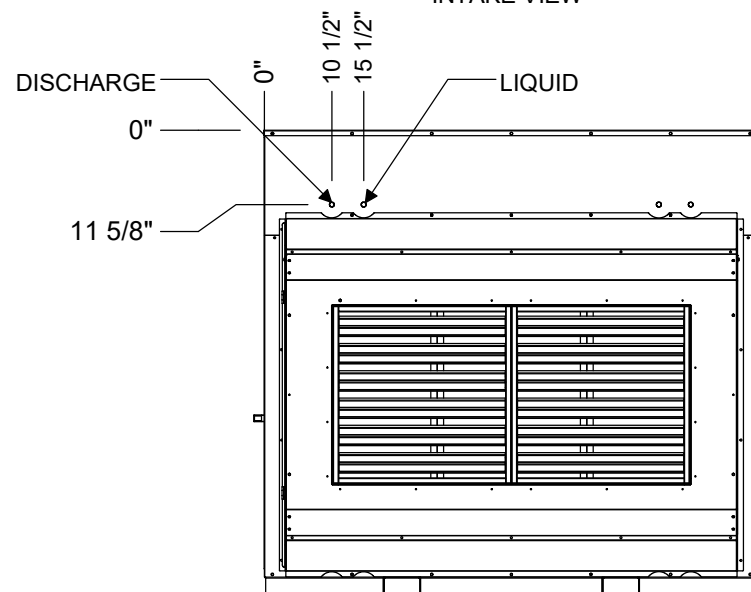


REMOTE CONDENSER

RIGHT REMOTE CONDENSER OPTION
INTAKE VIEW



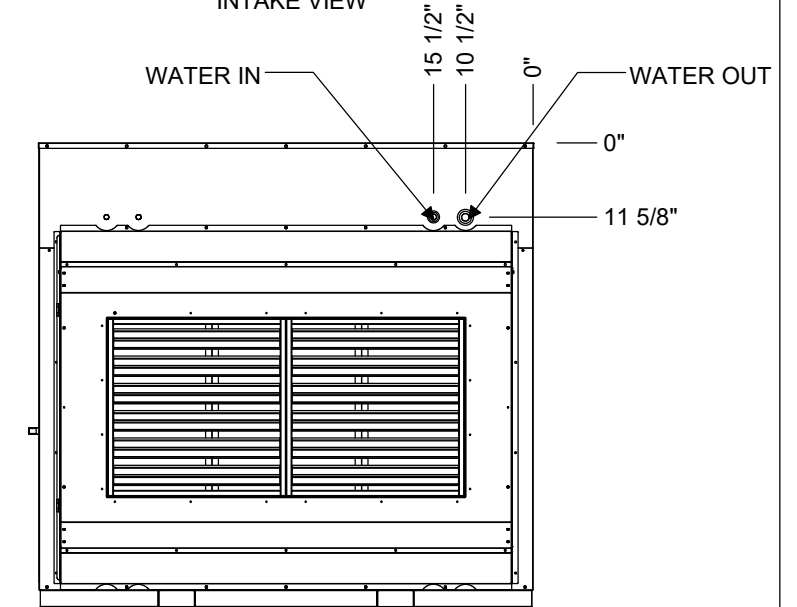
LEFT REMOTE CONDENSER OPTION
INTAKE VIEW



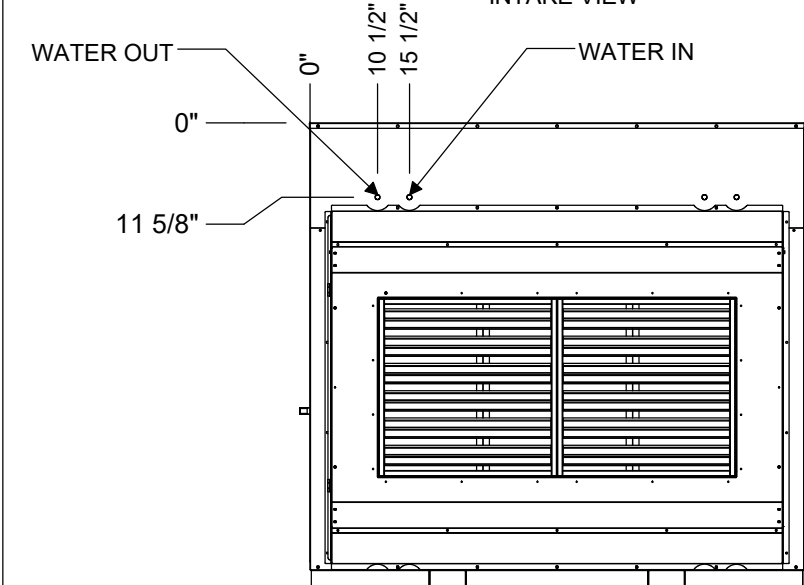
WATER PIPING



RIGHT WATER PIPING OPTION
INTAKE VIEW



LEFT WATER PIPING OPTION
INTAKE VIEW



UNIT SIZE	OPTIONAL WATER COOLED AND Q-PUMP HEAT EXCHANGER CONNECTIONS		OPTIONAL REMOTE CONDENSER CONNECTIONS		CONDENSATE DRAIN CONNECTION
	INLET	OUTLET	DISCHARGE	LIQUID RETURN	OUTLET
TONS					
20	2 5/8 OD	2 5/8 OD	1 3/8" OD	7/8" OD	1" ID
25	2 5/8 OD	2 5/8 OD	1 5/8" OD	1 1/8" OD	1" ID
30	2 5/8 OD	2 5/8 OD	1 5/8" OD	1 1/8" OD	1" ID

1
WATER PIPING FOR WATER COOLED CONDENSERS, SEE PAGE 1 FOR HOT WATER COIL CONNECTIONS

Desert Aire has a policy of continuous product and quality improvement. Specifications and dimensions are subject to change without notice. This drawing and information contained herein are the exclusive property of the Desert Aire Corporation. Any use detrimental to the interests of Desert Aire is prohibited.

ALL DIMENSIONS ARE IN INCHES
TOLERANCE ± 1/8"

All Dimensions in Inches
All Angles 90°
All outside corners 0.125" fillet
Unless Otherwise Specified



Part weight

Tolerance Unless Otherwise Specified
X.X ±.125
X.XX ±.060
X.XXX ±.030
Angles ±1°

Drawn	Date Released
EAC	10/9/2020
Sheet	2/3
Scale	Rev.
NTS	0



N120 W18485 FREISTADT RD
GERMANTOWN, WI 53022
Tel: (262) 946-7400
Fax: (262) 946-7401

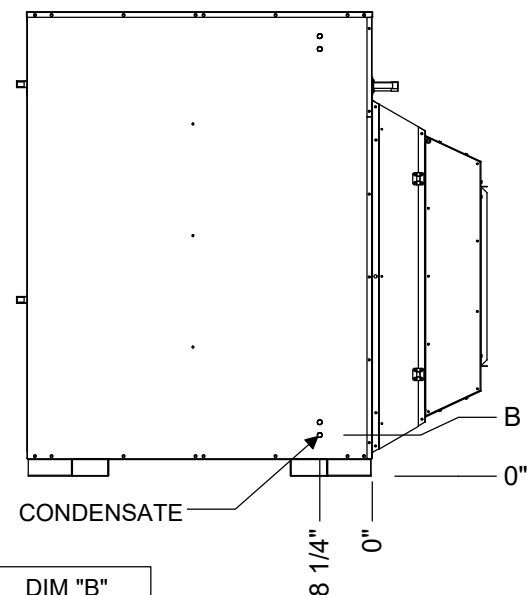
Description	Page Title
GrowAire GV 20-30T VertDsch OA	LH SERVICE CONNECTIONS
Drawing Number	
G817-009	

UNITS SELECTED WITH RIGHT SERVICE ACCESS ONLY

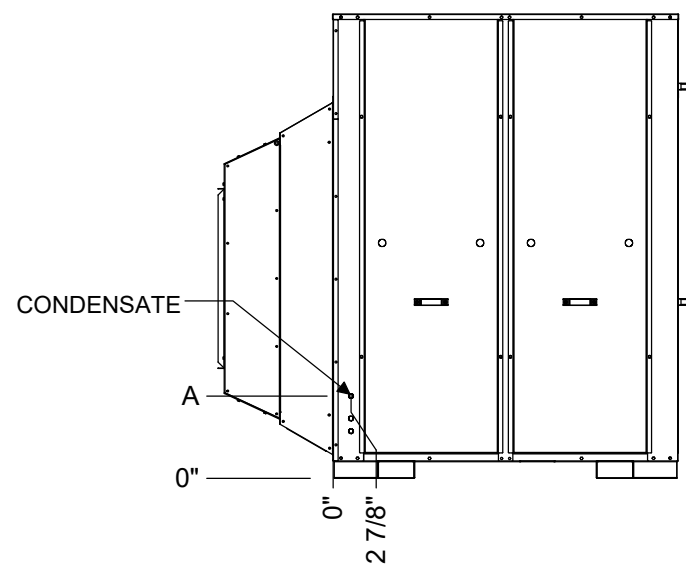
SEE PAGE 2 FOR LEFT HAND SERVICE

CONDENSATE

LEFT CONDENSATE OPTION
LEFT SIDE VIEW



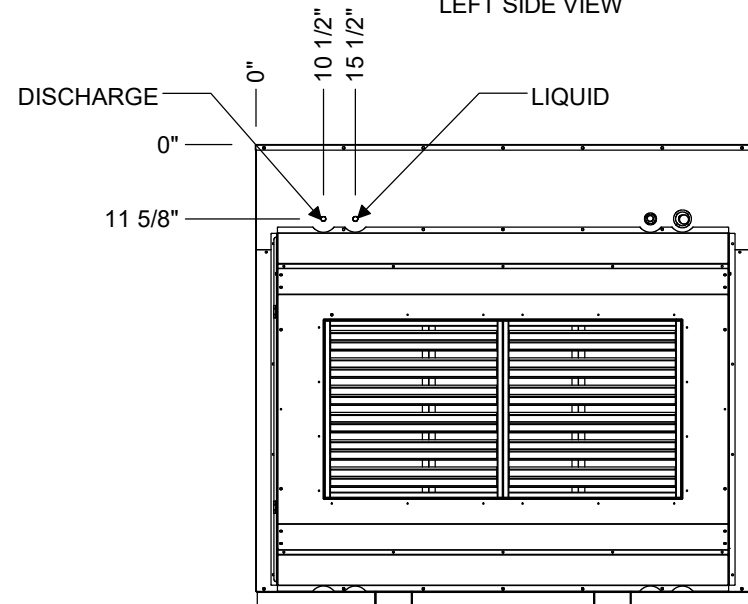
RIGHT CONDENSATE OPTION
RIGHT SIDE VIEW



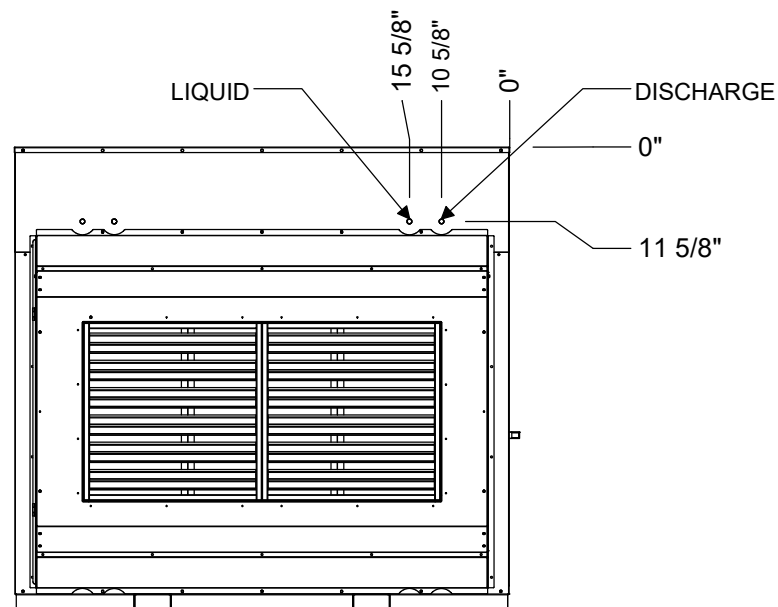
TONNAGE	DIM "A"	DIM "B"
20	12 7/8"	8 1/2"
25	9 3/8"	8 1/2"
30	7 3/8"	6 1/2"

REMOTE CONDENSER

LEFT REMOTE CONDENSER OPTION
LEFT SIDE VIEW



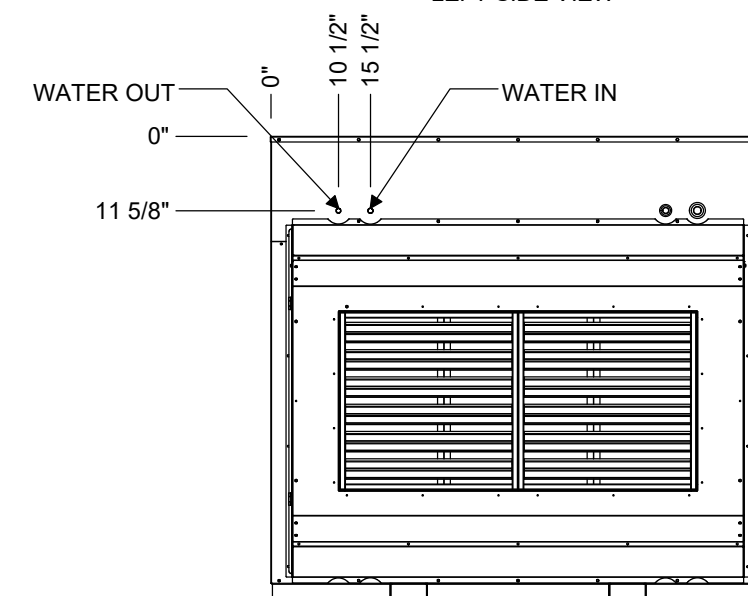
RIGHT REMOTE CONDENSER OPTION
INTAKE VIEW



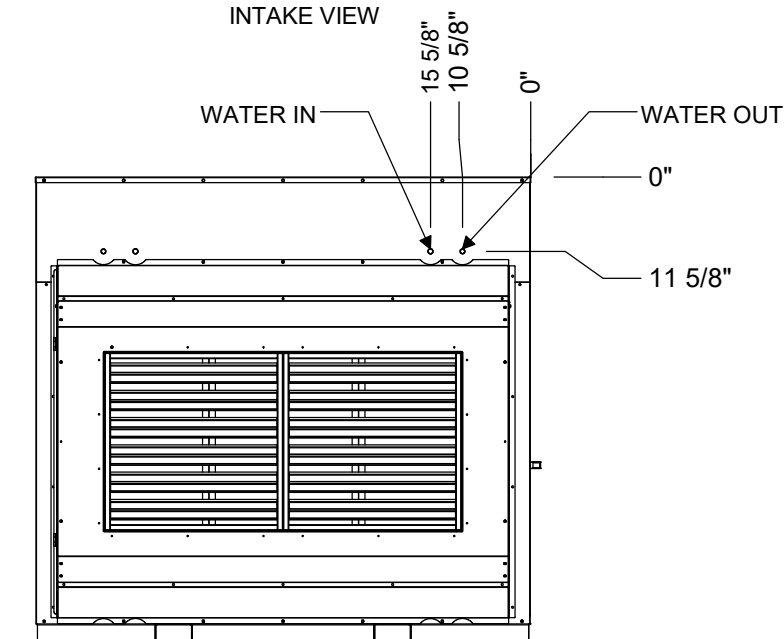
WATER PIPING



LEFT WATER PIPING OPTION
LEFT SIDE VIEW



RIGHT WATER PIPING OPTION
INTAKE VIEW



UNIT SIZE	OPTIONAL WATER COOLED AND Q-PUMP HEAT EXCHANGER CONNECTIONS		OPTIONAL REMOTE CONDENSER CONNECTIONS		CONDENSATE DRAIN CONNECTION
	INLET	OUTLET	DISCHARGE	LIQUID RETURN	OUTLET
TONS					
20	2 5/8 OD	2 5/8 OD	1 3/8" OD	7/8" OD	1" ID
25	2 5/8 OD	2 5/8 OD	1 5/8" OD	1 1/8" OD	1" ID
30	2 5/8 OD	2 5/8 OD	1 5/8" OD	1 1/8" OD	1" ID

1
WATER PIPING FOR WATER COOLED CONDENSERS, SEE PAGE 1 FOR HOT WATER COIL CONNECTIONS

Desert Aire has a policy of continuous product and quality improvement. Specifications and dimensions are subject to change without notice. This drawing and information contained herein are the exclusive property of the Desert Aire Corporation. Any use detrimental to the interests of Desert Aire is prohibited.

ALL DIMENSIONS ARE IN INCHES
TOLERANCE ± 1/8"

All Dimensions in Inches
All Angles 90°
All outside corners 0.125" fillet
Unless Otherwise Specified

Third Angle Projection

Part weight

Tolerance Unless Otherwise Specified
X.X ±.125
X.XX ±.060
X.XXX ±.030
Angles ±1°

Drawn	Date Released	Description
EAC	10/9/2020	GrowAire GV 20-30T VertDsch OA
Sheet	Page Title	
3/3	RH SERVICE CONNECTIONS	
Scale	Rev.	Drawing Number
NTS	0	G817-009



N120 W18485 FREISTADT RD
GERMANTOWN, WI 53022
Tel: (262) 946-7400
Fax: (262) 946-7401