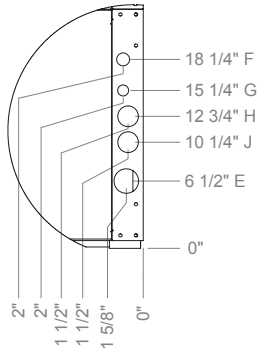
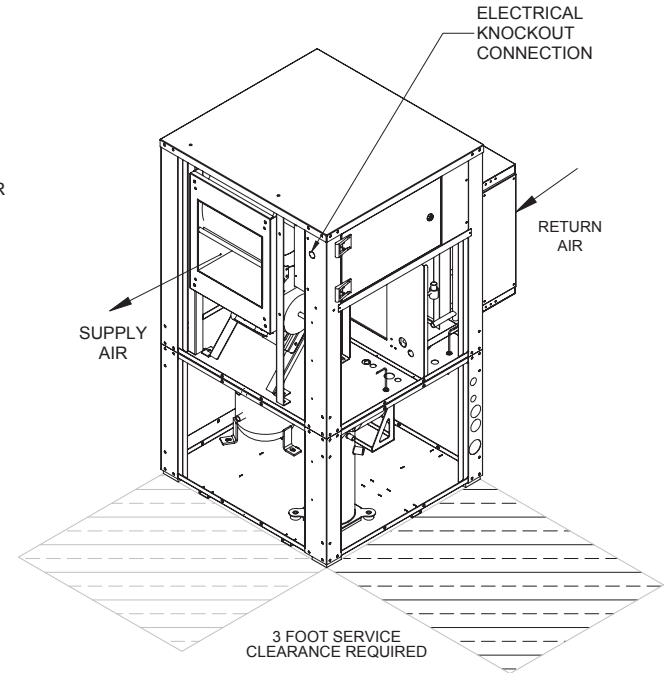
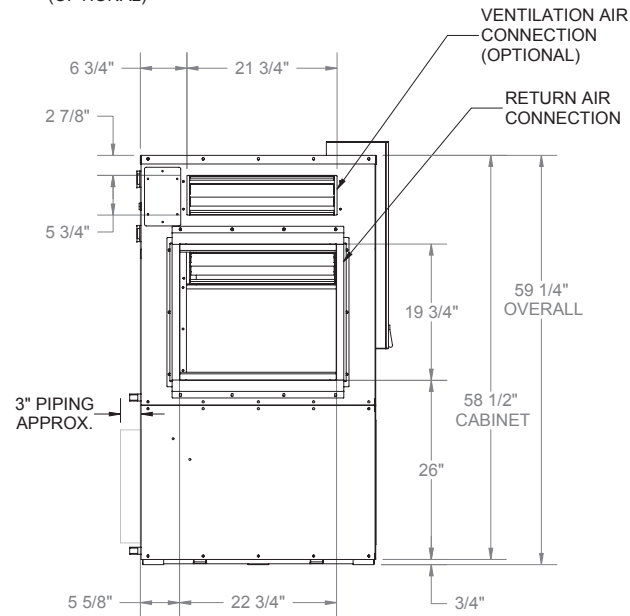
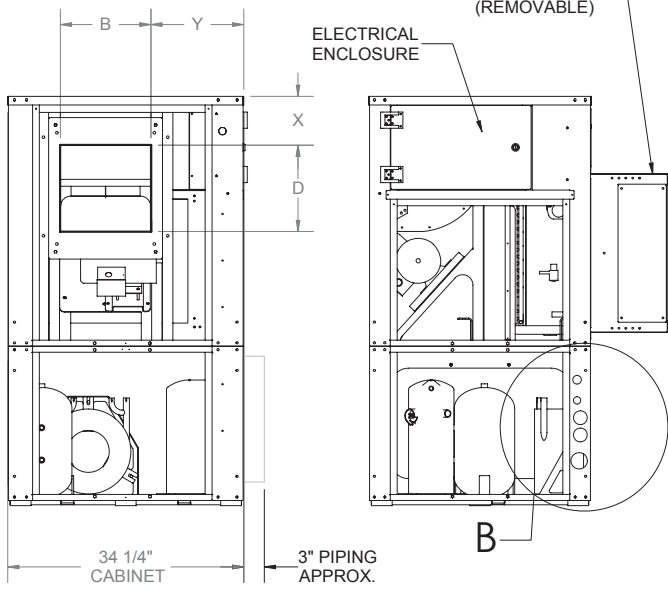
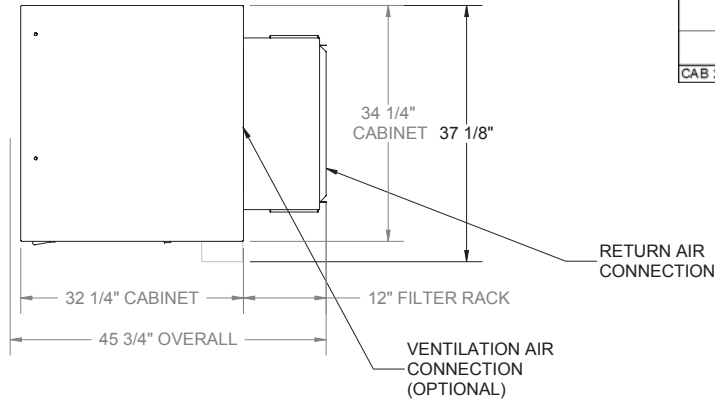


GA - LV ASSEMBLIES





DETAIL B
SCALE 1 : 12



DUCT OPENING DIMENSIONS

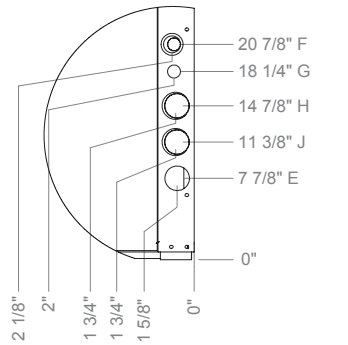
		TOP DIM	OPENING WIDTH DIM	TOP DIM	OPENING HEIGHT DIM	HORIZ DIM	HORIZ DIM	COND DRAIN DIM	REFRIG OUTLET DIM	REFRIG INLET DIM	WATER OUTLET DIM	WATER INLET DIM		
		A	B	C	D	X	Y	E	F	G	H	J		
CAB 22:	LV03	1/2", 1", 1-1/2"	110-10R	14 1/4"	13 1/4"	11"	12 5/8"	6 15/16"	14 7/16"	1"	5/8"	1/2"	1"	1"

FIELD PIPING DIMENSIONS

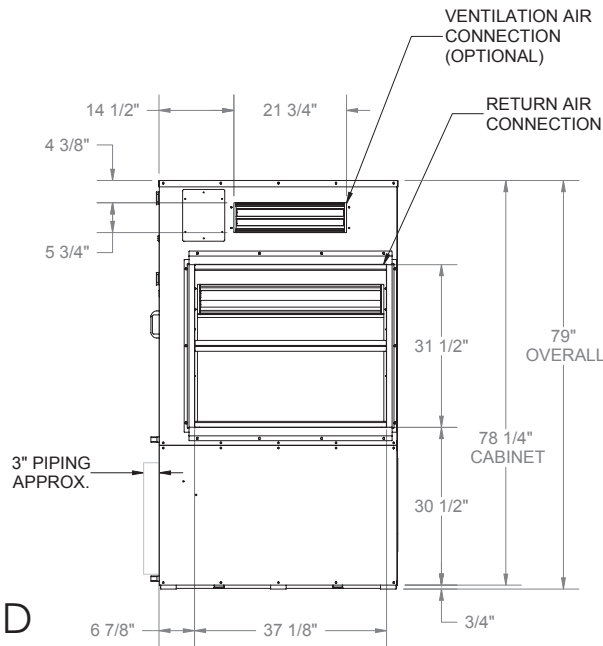
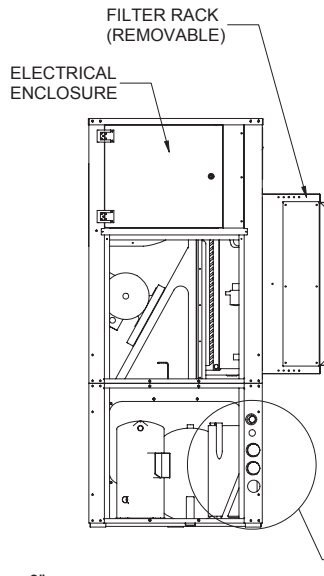
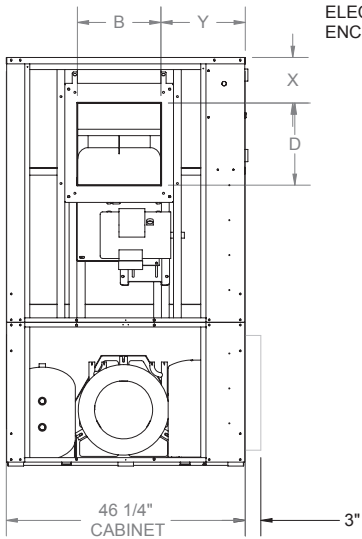
This drawing and information contained herein are the exclusive property of the Desert Aire Corporation. Any use detrimental to the interests of Desert Aire is prohibited.		All Dimensions in Inches All Angles 90° All Outside Corners 0.094" Radius Unless Otherwise Specified		Tolerance Unless Otherwise Specified X.X ±.125 X.XX ±.060 X.XXX ±.030 Angles ±1°		 N120 W18485 Freistadt Road Germantown, WI 53022 Tel: (262) 946-7400 Fax: (262) 946-7401	
Material		 Third Angle Projection		Drawn RP	Date Released 4/17/2009	Description LV VERTICAL EXPERTAIRE	
Finish				Sheet 2 / 5	Page Title LV 3-TON HORZ		
Part Based On		Part weight		Scale 1:18	Rev. 6	Drawing Number GA - LV ASSEMBLIES	

LV EXPERT AIRE FILTER INFORMATION						
CABINET	TONS	FILTER RACK	FILTER SIZE	QTY	4" FILTER	1" DEACTIVATOR
22	3	372-124-001	20x25	1	870-079	872-003

GA - LV ASSEMBLIES

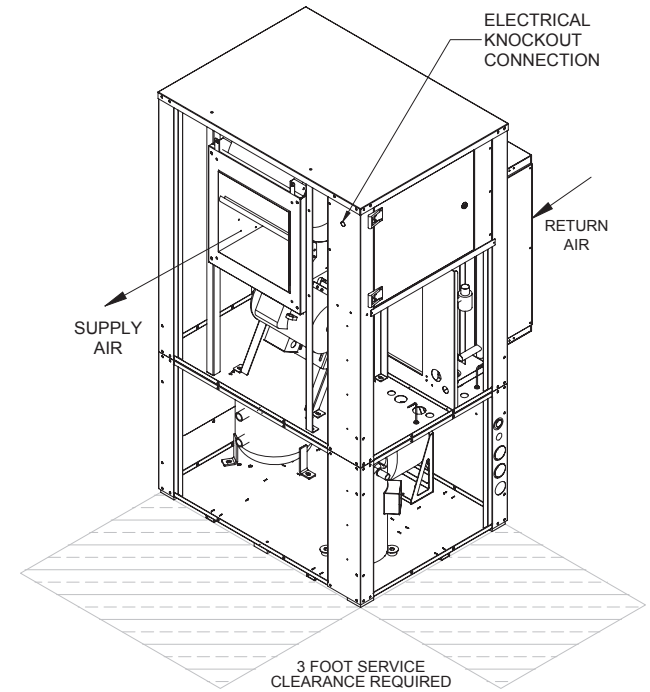


DETAIL D
SCALE 1 : 12



DUCT OPENING DIMENSIONS

	ESP	BLOWER	TOP		OPENING		HORIZ		FIELD PIPING DIMENSIONS				
			DIM A	DIM B	DIM C	DIM D	DIM X	DIM Y	COND DRAIN DIM E	REFRIG OUTLET DIM F	REFRIG INLET DIM G	WATER OUTLET DIM H	WATER INLET DIM J
CAB 36: LV04	1/2", 1", 1-1/2"	110-10R	16 13/16	13 1/4	12 5/8	12 5/8	10 1/8	18 1/16	1	5/8	1/2	1	1
CAB 36: LV05	1/2", 1", 1-1/2"	120-12R	16 13/16	15 3/4	12	13 5/8	9 5/8	16 13/16	1	7/8	5/8	1 1/4	1 1/4
CAB 36: LV06	1/2", 1", 1-1/2"												
CAB 36: LV08	1", 1-1/2"												
CAB 36: LV08	1/2"	150-12R	16 9/16	16 1/4	10	16	8 7/16	16 7/16	1	1 1/8			



LV EXPERT AIRE FILTER INFORMATION						
CABINET	TONS	FILTER RACK	FILTER SIZE	QTY	4" FILTER	1" DEACTIVATOR
36	04, 05, 06 & 08	372-124-003	16x20	4	870-080	872-005

This drawing and information contained herein are the exclusive property of the Desert Aire Corporation. Any use detrimental to the interests of Desert Aire is prohibited.	All Dimensions in Inches All Angles 90° All Outside Corners 0.094" Radius Unless Otherwise Specified	Tolerance Unless Otherwise Specified X.X ±.125 X.XX ±.060 X.XXX ±.030 Angles ±1°	N120 W18485 Freistadt Road Gemantown, WI 53022 Tel: (262) 946-7400 Fax: (262) 946-7401
Material:	Third Angle Projection	Sheet: 4 / 5	Page Title: LV 4-8 TON HORZ
Part Based On:	Part weight:	Scale: 1:24	Rev: 6 Drawing Number: GA - LV ASSEMBLIES