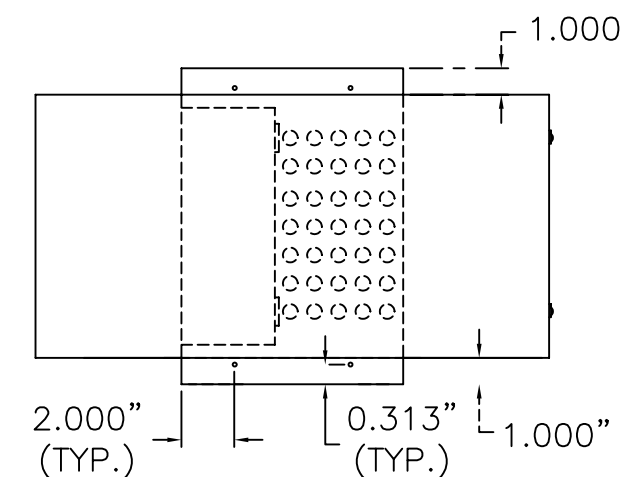
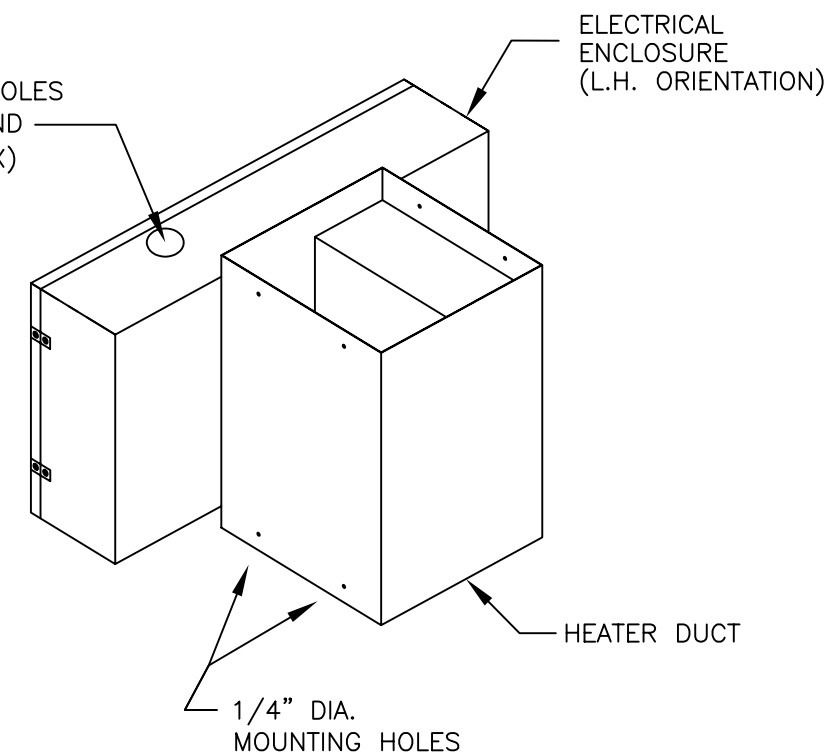
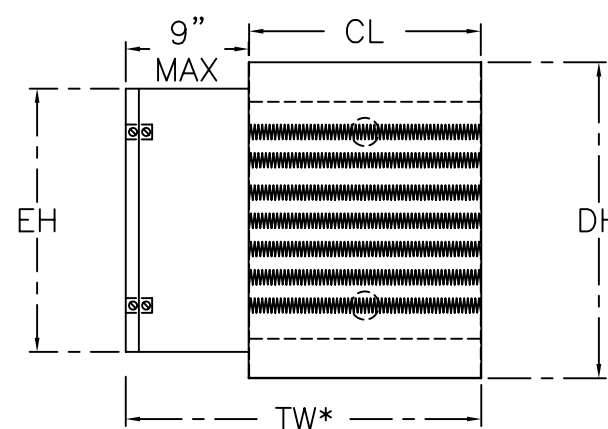
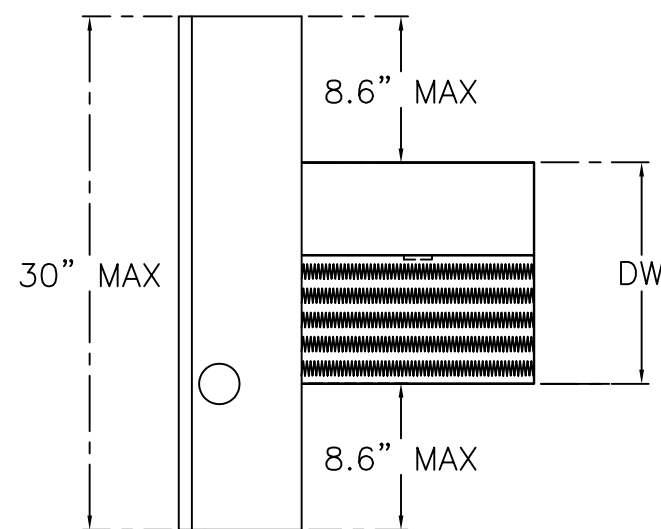


APPLICATION NOTES:

- 1) DHQV CLOSE COUPLED HEATERS AND VERTICAL AIRE DEHUMIDIFIERS ARE CONFIGURED FOR SINGLE POINT POWER WIRE CONNECTION.
- 2) FIELD CONNECTION OF POWER, SIGNAL, AND SAFETY CIRCUIT INTERLOCK IS REQUIRED (HEATERS ARE SHIPPED LOOSE).
- 3) DHQV HEATERS EMPLOY VENDOR SAFETY CIRCUIT W/ AUTOMATIC CUT OUT AND MANUAL RESET.
- 4) HEATERS ARE SYMMETRICAL PERPENDICULAR TO AXIS OF AIRFLOW TO ALLOW FOR INVERTED INSTALLATION.
- 5) DIMENSIONS DENOTED WITH "*" ARE MAXIMUM, AND MAY BE SMALLER FOR SMALLER KW HEATERS.
- 6) LARGER KW HEATERS ARE AVAILABLE IN 480V FOR QV15 UNITS EMPLOYING 12x12 BLOWERS.

APPLICABLE UNIT SIZE	HEATER FRAME / BLOWER SIZE	HEATER POWER RANGE AVAILABLE	DUCT HEATER DIMENSIONS				
			CL	DH	DW	EH	TW*
QV04 QV05 QV08	A (11x4 BLOWER)	01 - 15 KW 01 - 30 KW 01 - 30 KW	7.00"	24.0"	12.75"	20.0"	16.0"
QV04 QV05 QV08 QV10 QV15	B (11x10 BLOWER)	01 - 15 KW 01 - 20 KW 01 - 20 KW 01 - 20 KW 01 - 20 KW	13.25"	15.0"	12.75"	11.0"	22.3"
QV05 QV08 QV10 QV15	B (11x10 BLOWER)	21 - 30 KW 21 - 40 KW 21 - 40 KW 21 - 40 KW	13.25"	22.0"	12.75"	18.0"	22.3"
QV08 QV10 QV15	B (11x10 BLOWER)	41 - 60 KW	13.25"	34.0"	12.75"	30.0"	22.3"
QV15	C (12x12 BLOWER)	01 - 40 KW	15.75"	17.0"	13.66"	13.0"	24.8"
QV15	C (12x12 BLOWER)	41 - 60 KW	15.75"	22.0"	13.66"	13.0"	24.8"



HEATER MODEL MATRIX SUMMARY:

- MODEL LINE: DHQV [FOR VERTICAL AIRE "QV" IAQ DEHUMIDIFIER LINE] SCR CONTROLLED HEATER
- FRAME SIZE: (A) 11-4 BLOWER, (B) 11-10 BLOWER, OR (C) 12-12 BLOWER
- HEATER POWER OUTPUT: KW IN 1 KW INCREMENTS. SEE TABLE FOR KW LIMITS [SINGLE PHASE NOT AVAILABLE OVER 30KW].
- HEATER ORIENTATION: (H)ORIZONTAL OR (U)PRIGHT [VERTICAL/STANDARD]
- HEATER VOLTAGE: (208) VOLT, (230) VOLT, (240) VOLT, (460) VOLT, (480) VOLT, OR (580) VOLT
- POWER TYPE: (1) SINGLE PHASE 60 HZ, (2) SINGLE PHASE 50 HZ, (3) THREE PHASE 60 HZ, (4) THREE PHASE 50 HZ
- SIGNAL CONDITIONING: (A)NALOG 4-20 mA, (E) ANALOG 0-10 VDC [STANDARD], (N)O SIGNAL CONDITIONING

DRAWING NOT TO SCALE

TOLERANCE UNLESS OTHERWISE SPECIFIED
 X.X +/- .125
 X.XX +/- .060
 X.XXX +/- .030
 ANGLES +/- 1'

MODEL NUMBER: DHQV X NNN X NNN N X

					TITLE DHQV CLOSE COUPLED ELECTRIC DUCT HEATER	
					DESCRIPTION GENERAL ARRANGEMENT DRAWING	
			SYSTEM QV	DRAWN ALH	APPR.	
		SCALE 1/1	SHEET 1/1	DATE 05/23/05		
			DRAWING NUMBER DHQV-S01	REV. C		
REV.	DESCRIPTION	DATE	INITIALS	ECN #		
REVISIONS						

