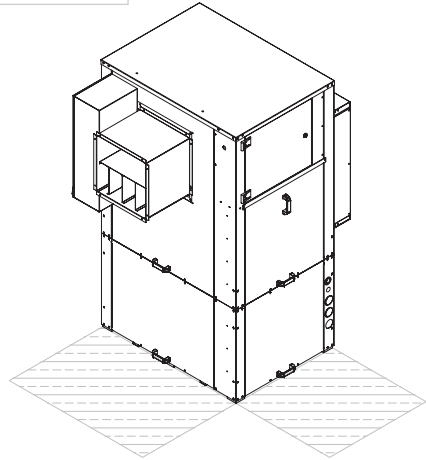
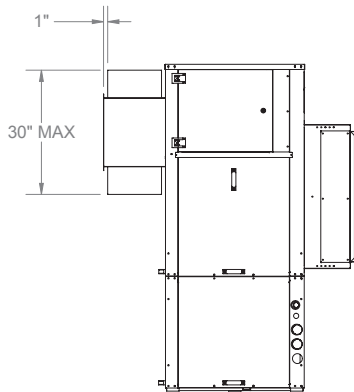
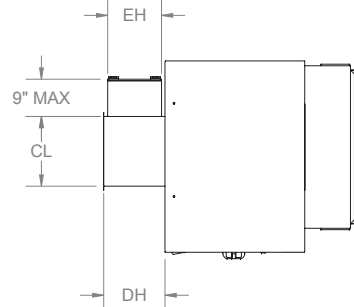
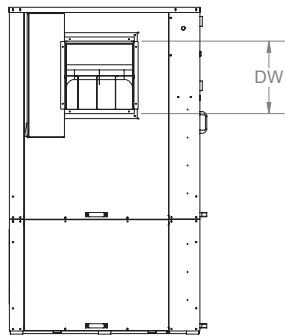


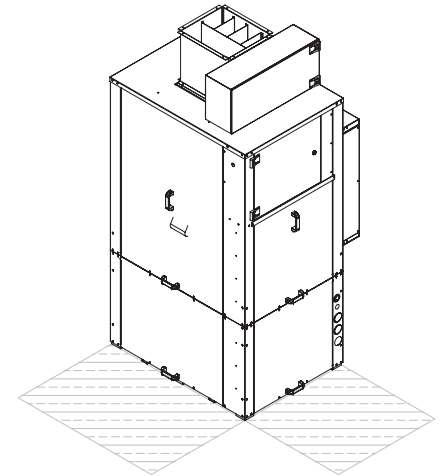
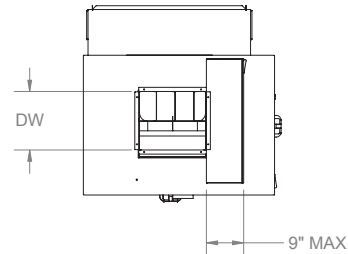
HORIZONTAL DUCT HEATER



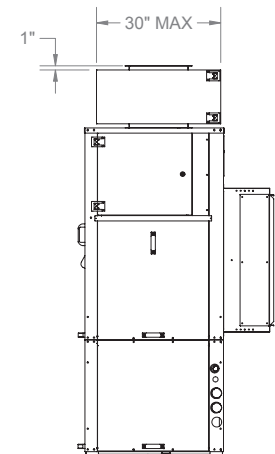
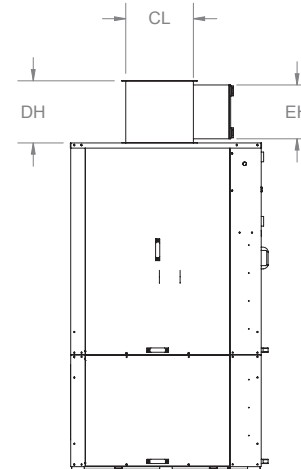
3 FOOT SERVICE CLEARANCE REQUIRED



VERTICAL DUCT HEATER



3 FOOT SERVICE CLEARANCE REQUIRED



- ① HEATER IS FACTORY SUPPLIED ACCESSORY FIELD INSTALLED
- ② MAX DIMENSIONS MAY BE SMALLER FOR SMALLER KW HEATERS

HEATER DUCT DIMENSIONS

UNIT SIZE (TONNAGE)	EXTERNAL STATIC PRESSURE	CL	DW	DH	EH
3	1/2" - 1 1/2"	13.85	13.23	13	11
4					
5					
6	1/2"	16.35	14.26	15	13
8					
8	1" - 1 1/2"	16.35	14.26		

This drawing and information contained herein are the exclusive property of the Desert Aire Corporation. Any use detrimental to the interests of Desert Aire is prohibited.

All Dimensions in Inches
All Angles 90°
All Outside Corners 0.094" Radius
Unless Otherwise Specified

Tolerance Unless Otherwise Specified
X.X ±.125
X.XX ±.060
X.XXX ±.030
Angles ±1°

DESERT AIRE
N120 W18485 Freistadt Road
Germantown, WI 53022
Tel: (262) 946-7400
Fax: (262) 946-7401

Material
Finish
Part Based On

Third Angle Projection
Part weight

Drawn
Date Released
Sheet
Scale

Description
Page Title
Drawing Number

RP
4/17/2009
5 / 5
1:30
LV VERTICAL EXPERTAIRE
LV DUCT HEATER
6
GA - LV ASSEMBLIES