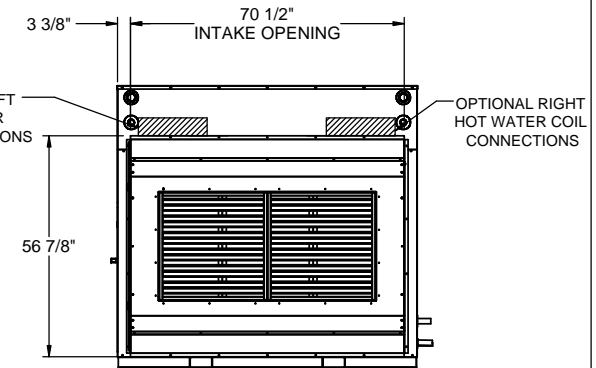
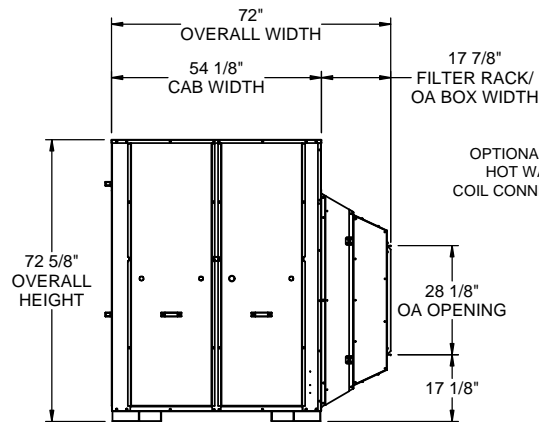
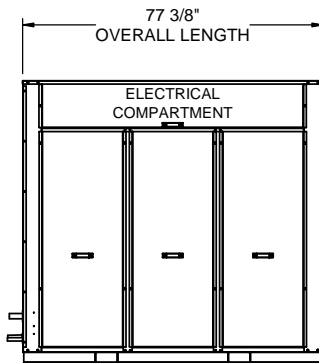
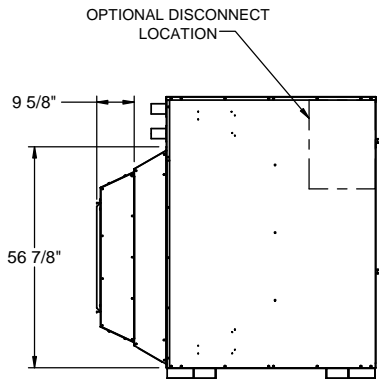
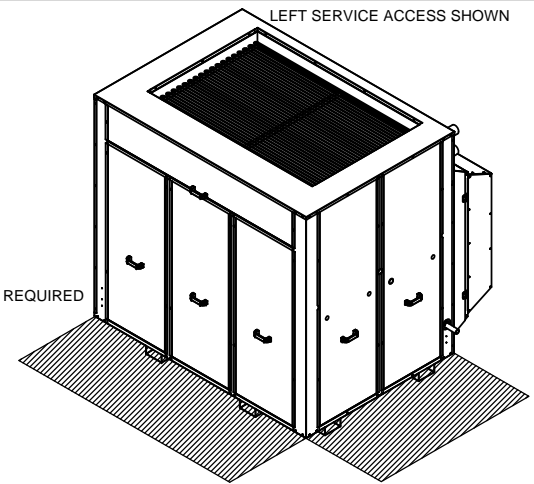


FILTERS					
UNIT SIZE (TONNAGE)	4" MERV 11	4" MERV 13	NOM WIDTH	NOM HEIGHT	QTY
20-30	870-103	870-131	20	24	3
	870-108	870-130	24	24	3



TONNAGE	WEIGHT
20	2898
25	3072
30	3215

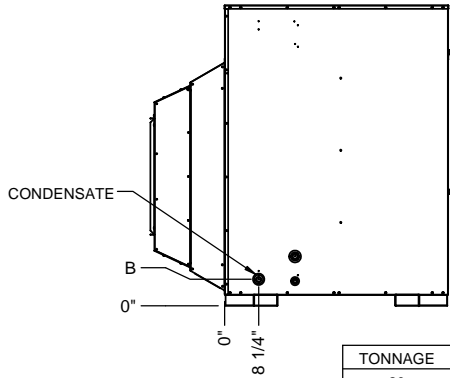
This drawing and information contained herein are the exclusive property of the Desert Aire Corporation. Any use detrimental to the interests of Desert Aire is prohibited.	All Dimensions in Inches All Angles 90° All Outside Corners 0.094" Radius Unless Otherwise Specified	Tolerance Unless Otherwise Specified X.X ±.125 X.XX ±.060 X.XXX ±.030 Angles ±1°	N120 W18485 Freistadt Road Germantown, WI 53022 Tel: (262) 946-7400 Fax: (262) 946-7401		
				Drawn: DAH Date Released: 10/27/2008	Description: VerticalAire 30T w / AIRBOX
				Sheet: 1 / 3	Page Title: GENERAL ASSEMBLY
				Scale: 1:32 Rev: 4	Drawing Number: VerticalAire 20-30 Ton w-OA Box

# UNITS SELECTED WITH LEFT SERVICE ACCESS ONLY

SEE PAGE 3 FOR RIGHT HAND SERVICE

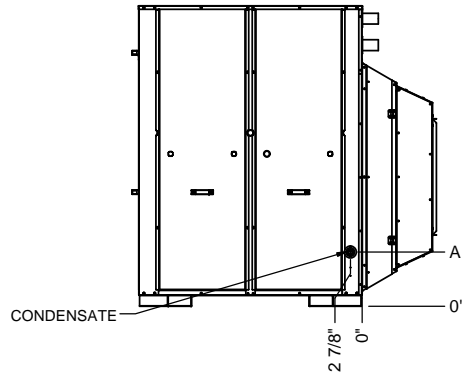
## CONDENSATE

RIGHT CONDENSATE OPTION  
RIGHT SIDE VIEW



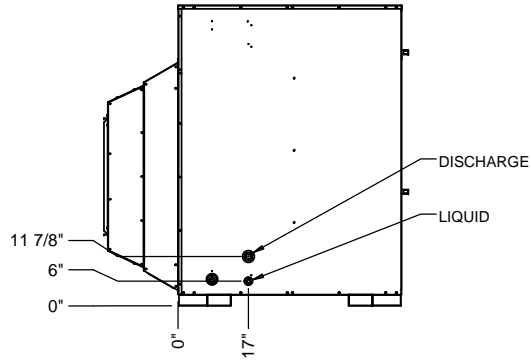
TONNAGE	DIM "A"	DIM "B"
20	12 7/8"	8 1/2"
25	9 3/8"	8 1/2"
30	7 3/8"	6 1/2"

LEFT CONDENSATE OPTION  
LEFT SIDE VIEW

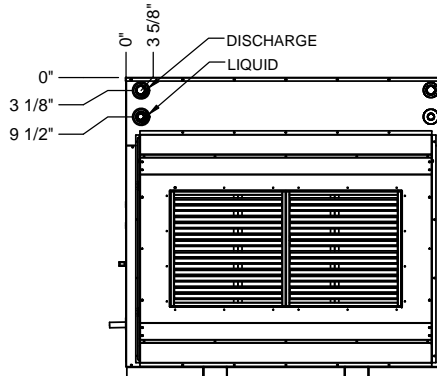


## REMOTE CONDENSER

RIGHT REMOTE CONDENSER OPTION  
RIGHT SIDE VIEW



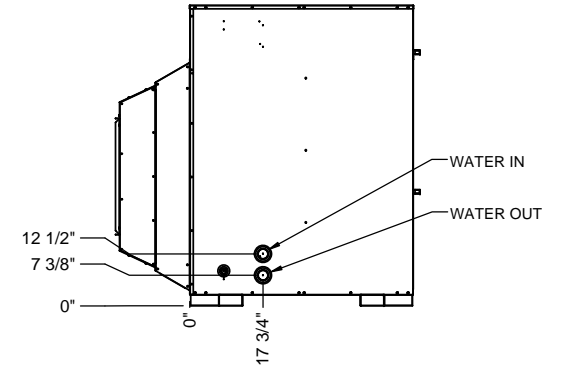
LEFT REMOTE CONDENSER OPTION  
INTAKE VIEW



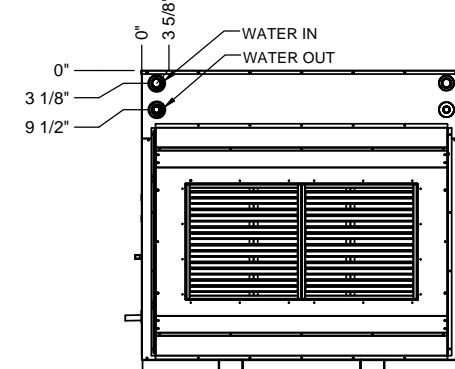
## WATER PIPING



RIGHT WATER PIPING OPTION  
RIGHT SIDE VIEW



LEFT WATER PIPING OPTION  
INTAKE VIEW



UNIT SIZE	OPTIONAL WATER COOLED AND Q-PUMP HEAT EXCHANGER CONNECTIONS		OPTIONAL REMOTE CONDENSER CONNECTIONS		CONDENSATE DRAIN CONNECTION
	INLET	OUTLET	DISCHARGE	LIQUID RETURN	OUTLET
20	2 5/8 OD	2 5/8 OD	1 3/8" OD	7/8" OD	1" ID
25	2 5/8 OD	2 5/8 OD	1 5/8" OD	1 1/8" OD	1" ID
30	2 5/8 OD	2 5/8 OD	1 5/8" OD	1 1/8" OD	1" ID

WATER PIPING FOR WATER COOLED CONDENSERS, SEE PAGE 1 FOR HOT WATER COIL CONNECTIONS

Desert Aire has a policy of continuous product and quality improvement. Specifications and dimensions are subject to change without notice. This drawing and information contained herein are the exclusive property of the Desert Aire Corporation. Any use detrimental to the interests of Desert Aire is prohibited.

ALL DIMENSIONS ARE IN INCHES  
TOLERANCE ± 1/8"

All Dimensions in Inches  
All Angles 90°  
All outside corners 0.125" fillet  
Unless Otherwise Specified

Third Angle Projection

Part weight

Tolerance Unless Otherwise Specified  
X.X ±.125  
X.XX ±.060  
X.XXX ±.030  
Angles ±1°

Drawn Date Released 10/27/2008

Sheet 2/3

Scale NTS

Rev. 4



N120 W18485 FREISTADT RD  
GERMANTOWN, WI 53022  
Tel: (262) 946-7400  
Fax: (262) 946-7401

Description VerticalAire 30T w / AIRBOX

Page Title LH SERVICE CONNECTIONS

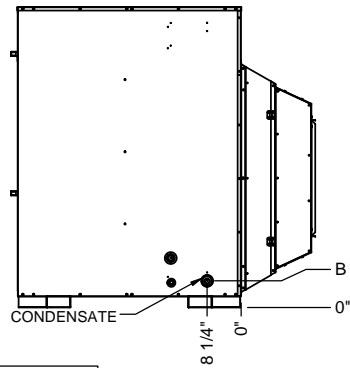
Drawing Number VerticalAire 20-30 Ton w-OA Box

# UNITS SELECTED WITH RIGHT SERVICE ACCESS ONLY

SEE PAGE 3 FOR LEFT HAND SERVICE

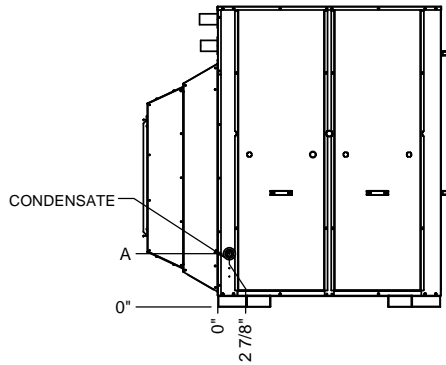
## CONDENSATE

LEFT CONDENSATE OPTION  
LEFT SIDE VIEW



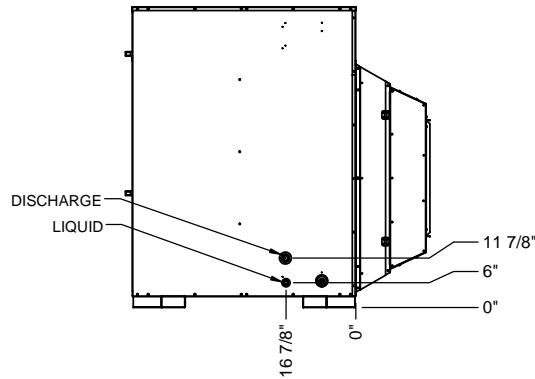
TONNAGE	DIM "A"	DIM "B"
20	12 7/8"	8 1/2"
25	9 3/8"	8 1/2"
30	7 3/8"	6 1/2"

RIGHT CONDENSATE OPTION  
RIGHT SIDE VIEW

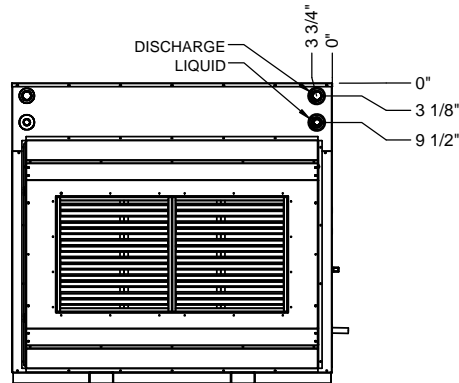


## REMOTE CONDENSER

LEFT REMOTE CONDENSER OPTION  
LEFT SIDE VIEW



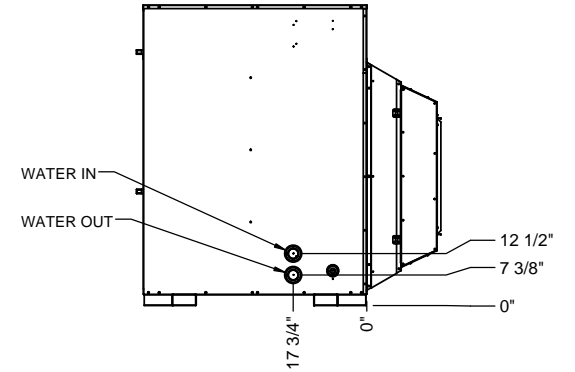
RIGHT REMOTE CONDENSER OPTION  
INTAKE VIEW



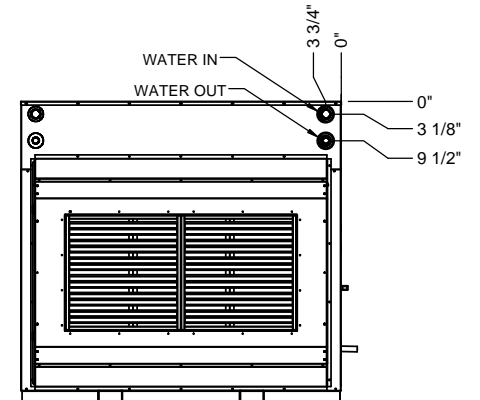
## WATER PIPING



LEFT WATER PIPING OPTION  
LEFT SIDE VIEW



RIGHT WATER PIPING OPTION  
INTAKE VIEW



UNIT SIZE	OPTIONAL WATER COOLED AND Q-PUMP HEAT EXCHANGER CONNECTIONS		OPTIONAL REMOTE CONDENSER CONNECTIONS		CONDENSATE DRAIN CONNECTION
	INLET	OUTLET	DISCHARGE	LIQUID RETURN	OUTLET
20	2 5/8 OD	2 5/8 OD	1 3/8" OD	7/8" OD	1" ID
25	2 5/8 OD	2 5/8 OD	1 5/8" OD	1 1/8" OD	1" ID
30	2 5/8 OD	2 5/8 OD	1 5/8" OD	1 1/8" OD	1" ID

1

WATER PIPING FOR WATER COOLED CONDENSERS, SEE PAGE 1 FOR HOT WATER COIL CONNECTIONS

Desert Aire has a policy of continuous product and quality improvement. Specifications and dimensions are subject to change without notice. This drawing and information contained herein are the exclusive property of the Desert Aire Corporation. Any use detrimental to the interests of Desert Aire is prohibited.

ALL DIMENSIONS ARE IN INCHES  
TOLERANCE ± 1/8"

All Dimensions in Inches  
All Angles 90°  
All outside corners 0.125" fillet  
Unless Otherwise Specified

Third Angle Projection

Part weight

Tolerance Unless Otherwise Specified  
X.X ±.125  
X.XX ±.060  
X.XXX ±.030  
Angles ±1°

Drawn Date Released 10/27/2008

Sheet 3/3

Scale NTS

Rev. 4



N120 W18485 FREISTADT RD  
GERMANTOWN, WI 53022  
Tel: (262) 946-7400  
Fax: (262) 946-7401

Description VerticalAire 30T w / AIRBOX

Page Title RH SERVICE CONNECTIONS

Drawing Number VerticalAire 20-30 Ton w-OA Box