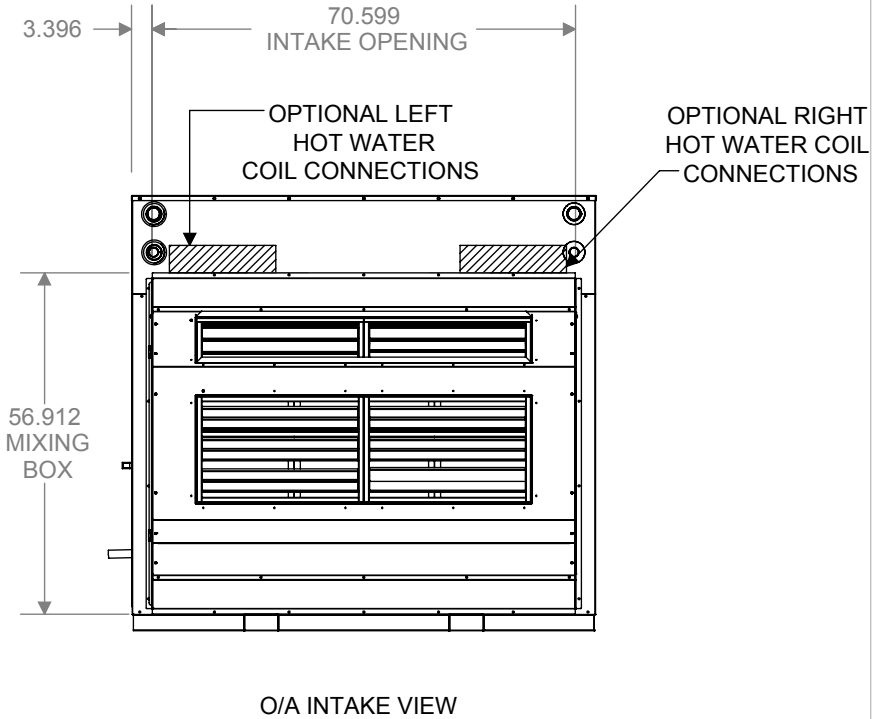
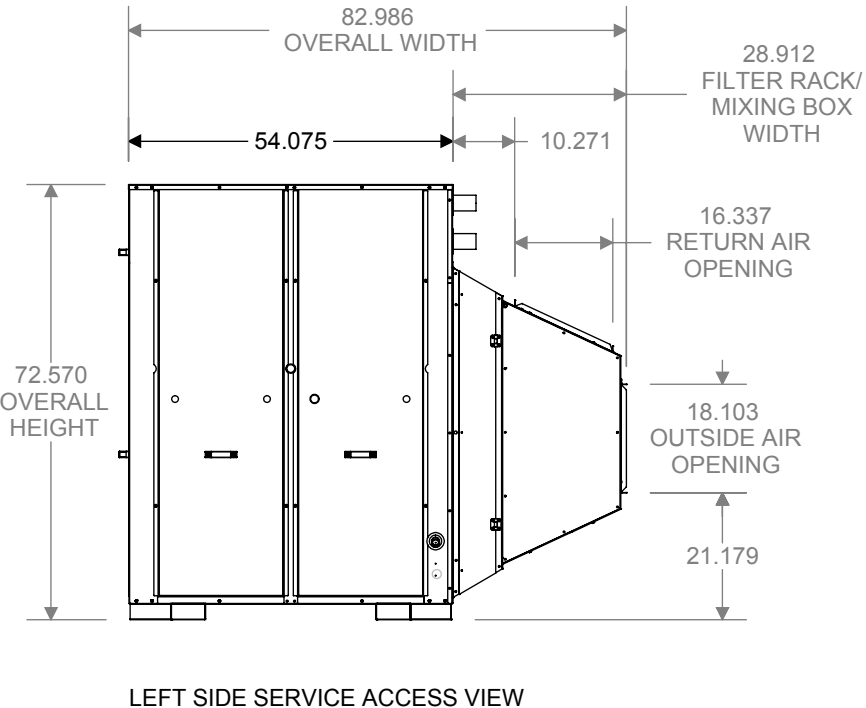
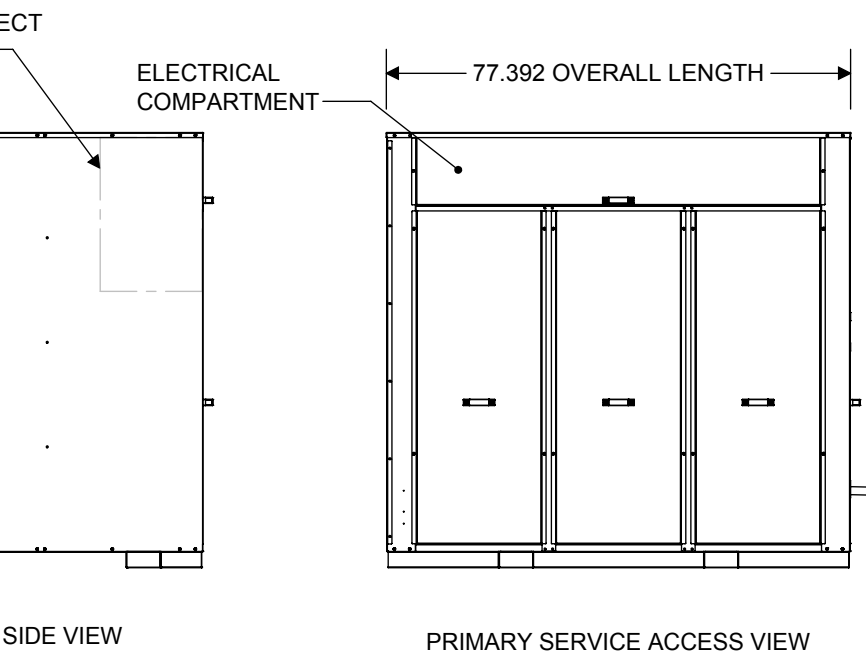
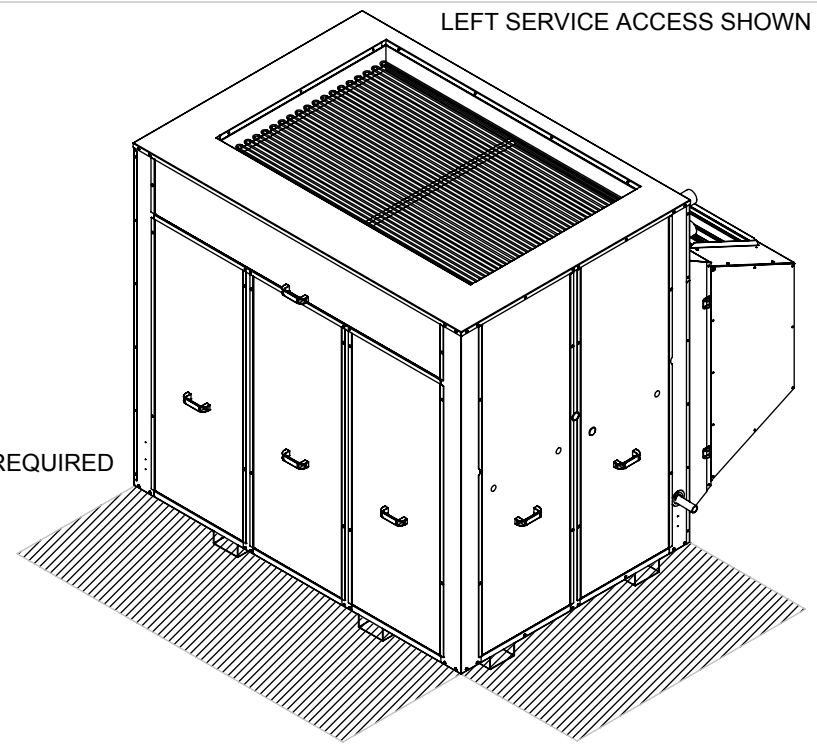


FILTERS					
UNIT SIZE (TONNAGE)	4" MERV 11	4" MERV 13	NOM WIDTH	NOM HEIGHT	QTY
20-30	870-103	870-131	20	24	3
	870-108	870-130	24	24	3



TONNAGE	WEIGHT
20	2898
25	3072
30	3215

Desert Aire has a policy of continuous product and quality improvement. Specifications and dimensions are subject to change without notice. This drawing and information contained herein are the exclusive property of the Desert Aire Corporation. Any use detrimental to the interests of Desert Aire is prohibited.

All Dimensions in Inches
 All Angles 90°
 All outside corners 0.125" fillet
 Unless Otherwise Specified

Tolerance Unless Otherwise Specified
 X.X ±.125
 X.XX ±.060
 X.XXX ±.030
 Angles ±1°

DESERT AIRE
 N120 W18485 FREISTADT RD
 GERMANTOWN, WI 53022
 Tel: (262) 946-7400
 Fax: (262) 946-7401

Drawn: SK Date Released: 10/27/2008 Description: VerticalAire 20T w / MIXBOX
 Sheet: 1/3 Page Title: GENERAL ASSEMBLY
 Scale: NTS Rev: 4 Drawing Number: VerticalAire 20-30 Ton w-Mixing Box

Third Angle Projection
 Part weight

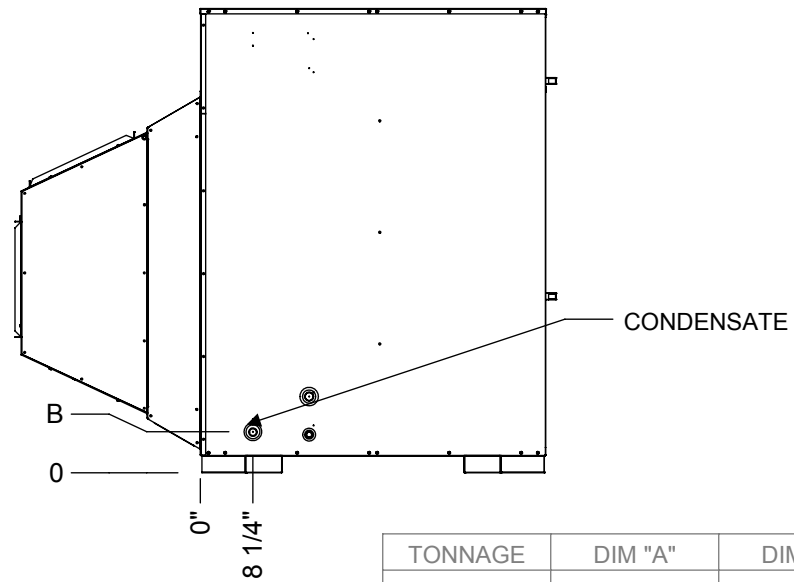
ALL DIMENSIONS ARE IN INCHES
 TOLERANCE ± 1/8"

UNITS SELECTED WITH LEFT SERVICE ACCESS ONLY

SEE PAGE 3 FOR RIGHT HAND SERVICE

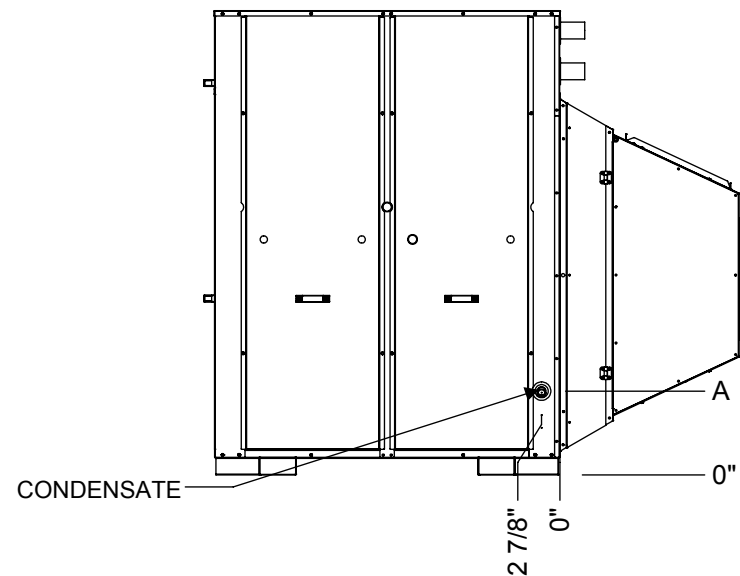
CONDENSATE

RIGHT CONDENSATE OPTION
RIGHT SIDE VIEW



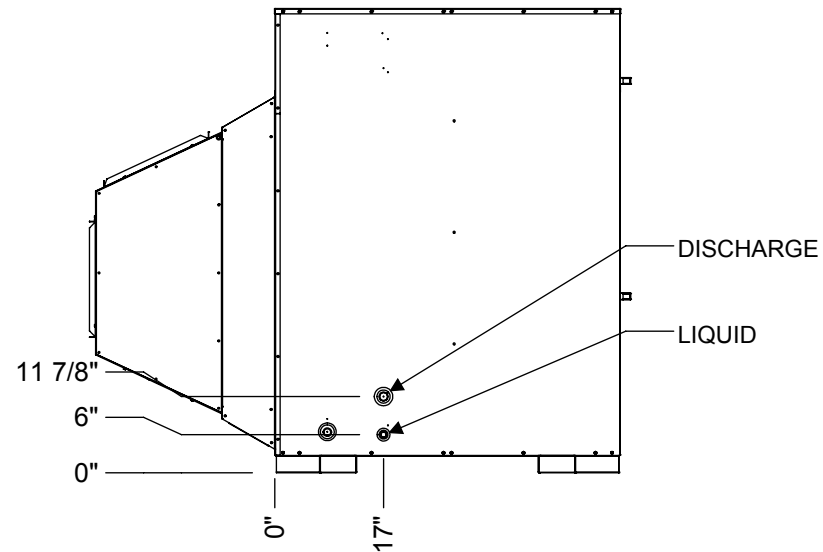
TONNAGE	DIM "A"	DIM "B"
20	12 7/8"	8 1/2"
25	9 3/8"	8 1/2"
30	7 3/8"	6 1/2"

LEFT CONDENSATE OPTION
LEFT SIDE VIEW

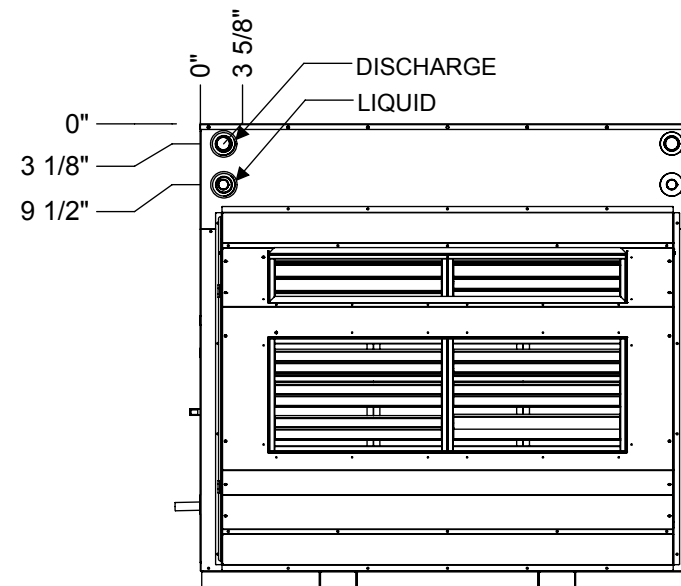


REMOTE CONDENSER

RIGHT REMOTE CONDENSER OPTION
RIGHT SIDE VIEW



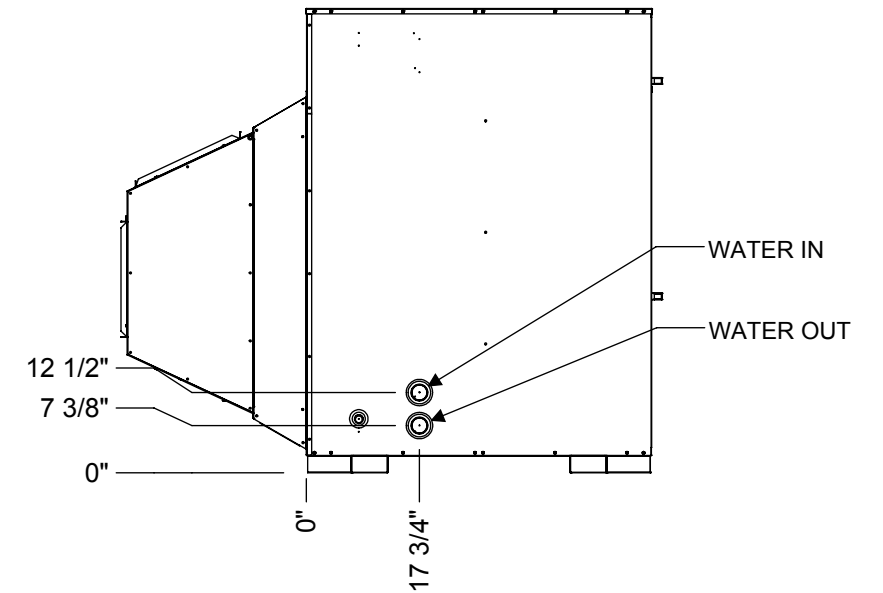
LEFT REMOTE CONDENSER OPTION
INTAKE VIEW



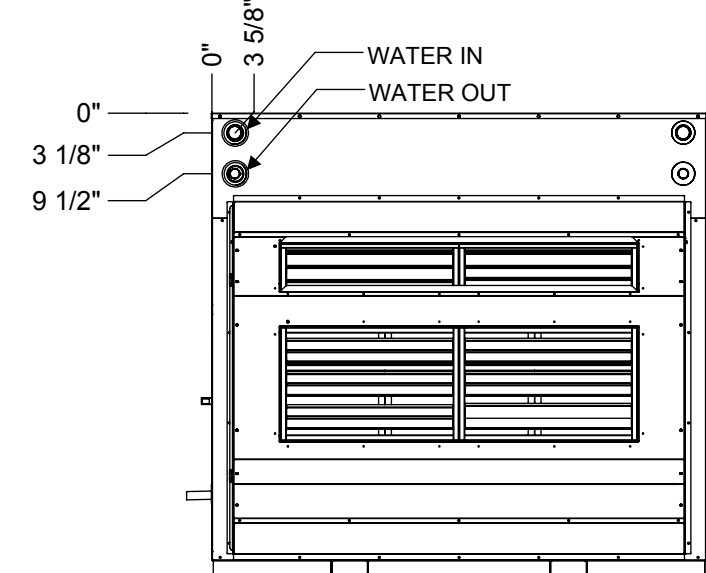
WATER PIPING



RIGHT WATER PIPING OPTION
RIGHT SIDE VIEW



LEFT WATER PIPING OPTION
INTAKE VIEW



UNIT SIZE	OPTIONAL WATER COOLED AND Q-PUMP HEAT EXCHANGER CONNECTIONS		OPTIONAL REMOTE CONDENSER CONNECTIONS		CONDENSATE DRAIN CONNECTION
	INLET	OUTLET	DISCHARGE	LIQUID RETURN	OUTLET
TONS					
20	2 5/8 OD	2 5/8 OD	1 3/8" OD	7/8" OD	1" ID
25	2 5/8 OD	2 5/8 OD	1 5/8" OD	1 1/8" OD	1" ID
30	2 5/8 OD	2 5/8 OD	1 5/8" OD	1 1/8" OD	1" ID

WATER PIPING FOR WATER COOLED CONDENSERS. SEE PAGE 1 FOR HOT WATER COIL CONNECTIONS

Desert Aire has a policy of continuous product and quality improvement. Specifications and dimensions are subject to change without notice. This drawing and information contained herein are the exclusive property of the Desert Aire Corporation. Any use detrimental to the interests of Desert Aire is prohibited.

ALL DIMENSIONS ARE IN INCHES
TOLERANCE ± 1/8"

All Dimensions in Inches
All Angles 90°
All outside corners 0.125" fillet
Unless Otherwise Specified



Third Angle Projection

Part weight

Tolerance Unless Otherwise Specified
X.X ±.125
X.XX ±.060
X.XXX ±.030
Angles ±1°

Drawn SK Date Released 10/27/2008

Sheet 2/3

Scale NTS Rev. 4



N120 W18485 FREISTADT RD
GERMANTOWN, WI 53022
Tel: (262) 946-7400
Fax: (262) 946-7401

Description VerticalAire 20T w / MIXBOX

Page Title LH SERVICE CONNECTIONS

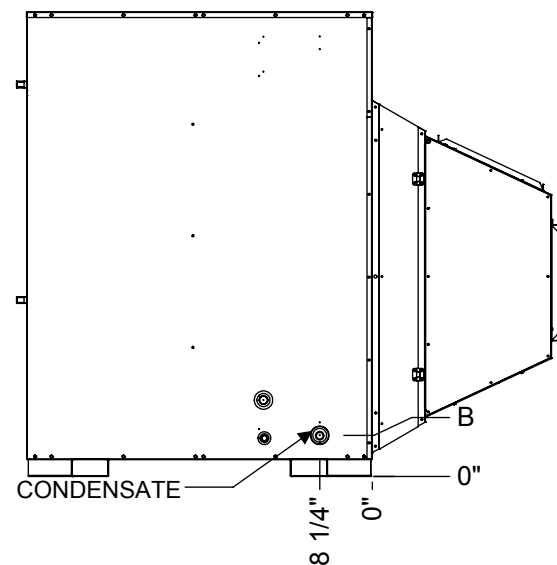
Drawing Number VerticalAire 20-30 Ton w-Mixing Box

UNITS SELECTED WITH RIGHT SERVICE ACCESS ONLY

SEE PAGE 3 FOR LEFT HAND SERVICE

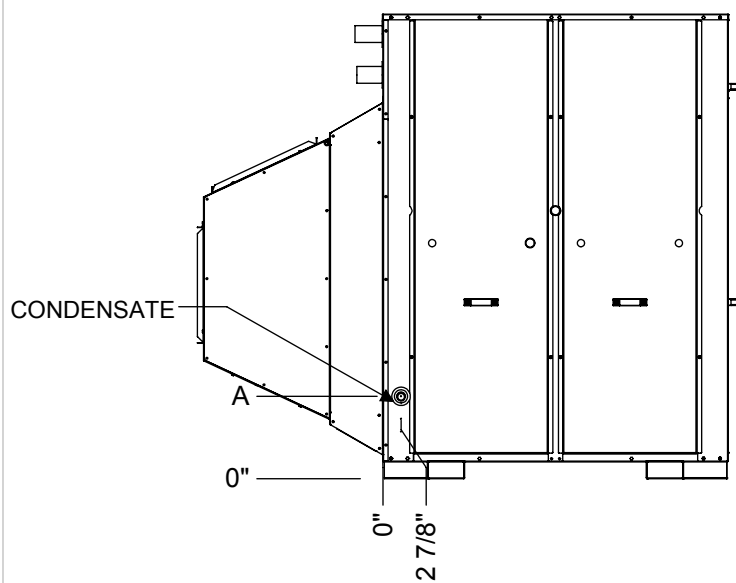
CONDENSATE

LEFT CONDENSATE OPTION
LEFT SIDE VIEW



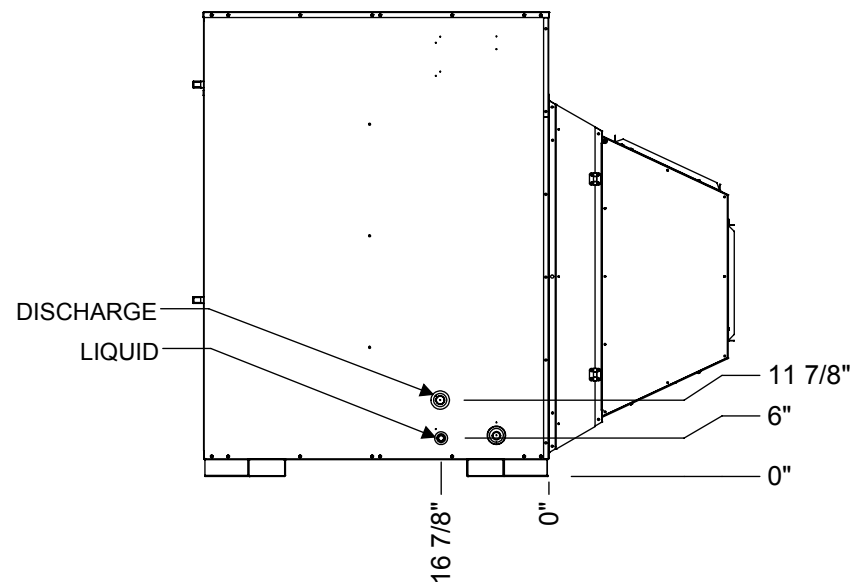
TONNAGE	DIM "A"	DIM "B"
20	12 7/8"	8 1/2"
25	9 3/8"	8 1/2"
30	7 3/8"	6 1/2"

RIGHT CONDENSATE OPTION
RIGHT SIDE VIEW

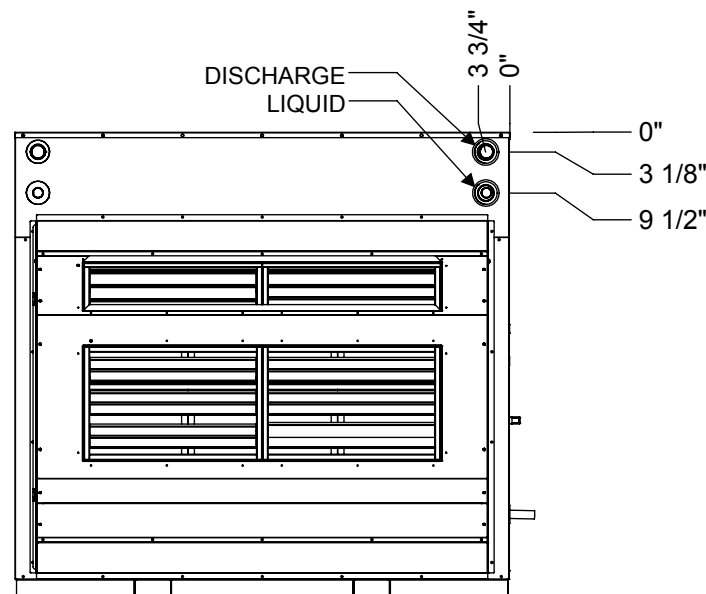


REMOTE CONDENSER

LEFT REMOTE CONDENSER OPTION
LEFT SIDE VIEW



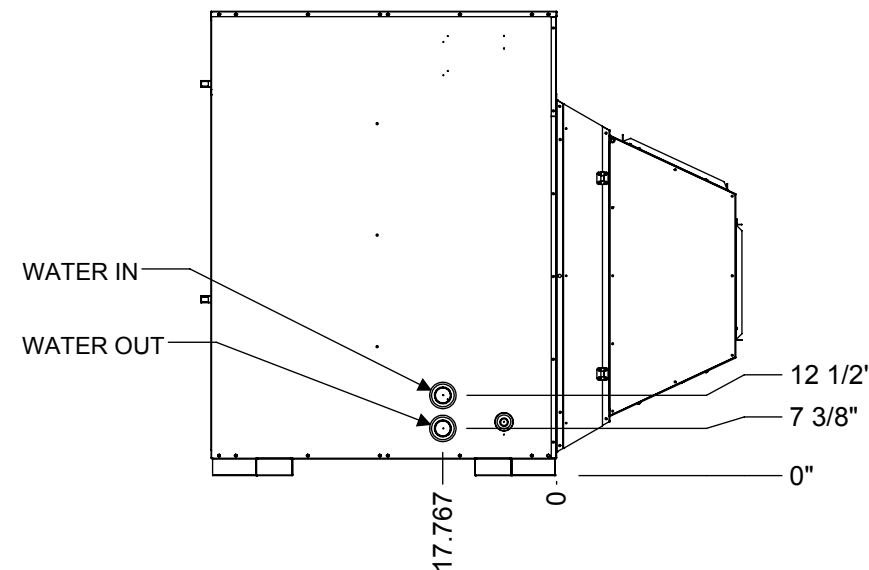
RIGHT REMOTE CONDENSER OPTION
INTAKE VIEW



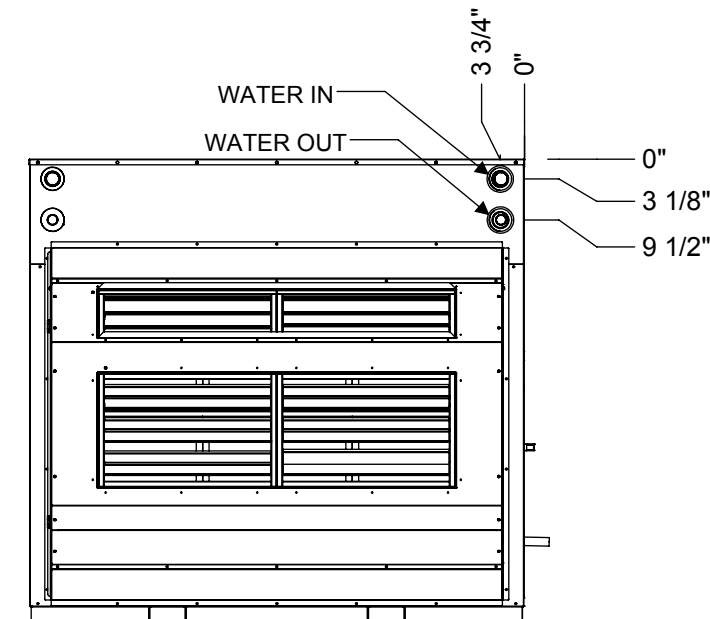
WATER PIPING



LEFT WATER PIPING OPTION
LEFT SIDE VIEW



RIGHT WATER PIPING OPTION
INTAKE VIEW



UNIT SIZE	OPTIONAL WATER COOLED AND Q-PUMP HEAT EXCHANGER CONNECTIONS		OPTIONAL REMOTE CONDENSER CONNECTIONS		CONDENSATE DRAIN CONNECTION
	INLET	OUTLET	DISCHARGE	LIQUID RETURN	OUTLET
TONS					
20	2 5/8 OD	2 5/8 OD	1 3/8" OD	7/8" OD	1" ID
25	2 5/8 OD	2 5/8 OD	1 5/8" OD	1 1/8" OD	1" ID
30	2 5/8 OD	2 5/8 OD	1 5/8" OD	1 1/8" OD	1" ID

WATER PIPING FOR WATER COOLED CONDENSERS, SEE PAGE 1 FOR HOT WATER COIL CONNECTIONS

Desert Aire has a policy of continuous product and quality improvement. Specifications and dimensions are subject to change without notice. This drawing and information contained herein are the exclusive property of the Desert Aire Corporation. Any use detrimental to the interests of Desert Aire is prohibited.

ALL DIMENSIONS ARE IN INCHES
TOLERANCE ± 1/8"

All Dimensions in Inches
All Angles 90°
All outside corners 0.125" fillet
Unless Otherwise Specified

Third Angle Projection

Part weight

Tolerance Unless Otherwise Specified
X.X ±.125
X.XX ±.060
X.XXX ±.030
Angles ±1°

Drawn	SK	Date Released	10/27/2008
Sheet	3/3		
Scale	NTS		
Rev.	4		



N120 W18485 FREISTADT RD
GERMANTOWN, WI 53022
Tel: (262) 946-7400
Fax: (262) 946-7401

Description	VerticalAire 20T w / MIXBOX
Page Title	RH SERVICE CONNECTIONS
Drawing Number	VerticalAire 20-30 Ton w-Mixing Box