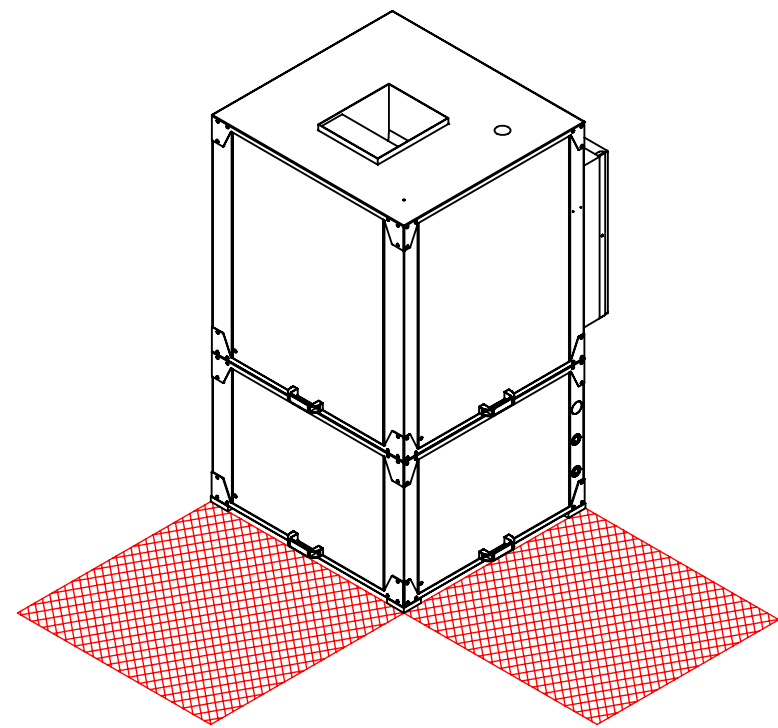


FILTER					
UNIT SIZE (TONNAGE)	4" MERV 11 PART NUMBER	4" MERV 13 PART NUMBER	NOM WIDTH	NOM HEIGHT	QTY
4-5	870-136	** 870-135	25	29	**1

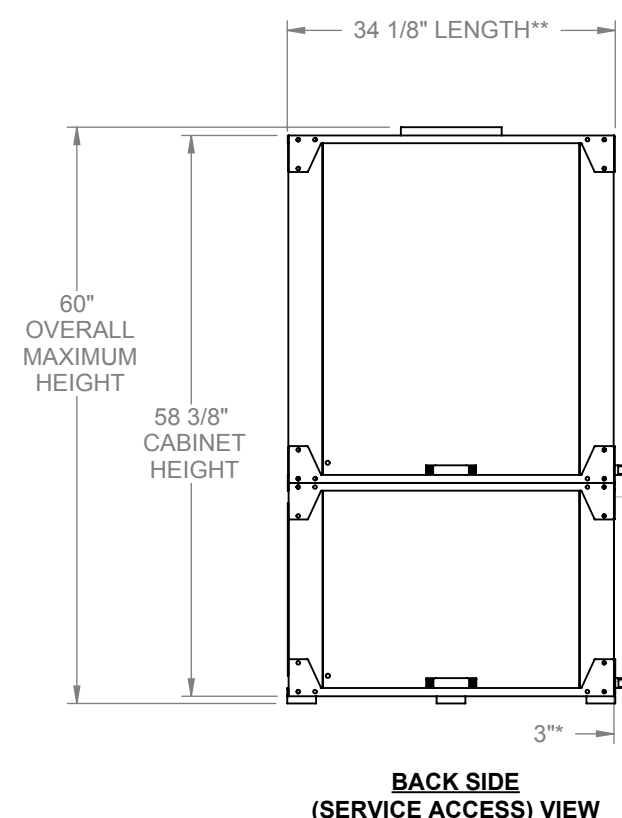
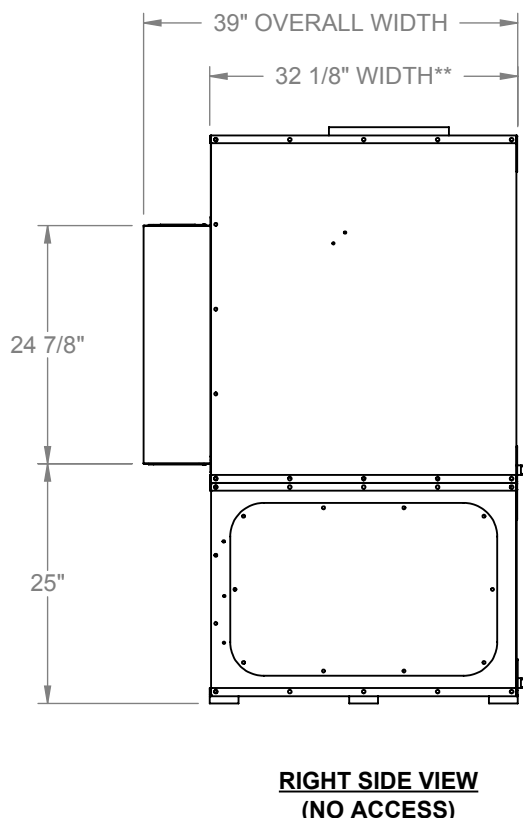
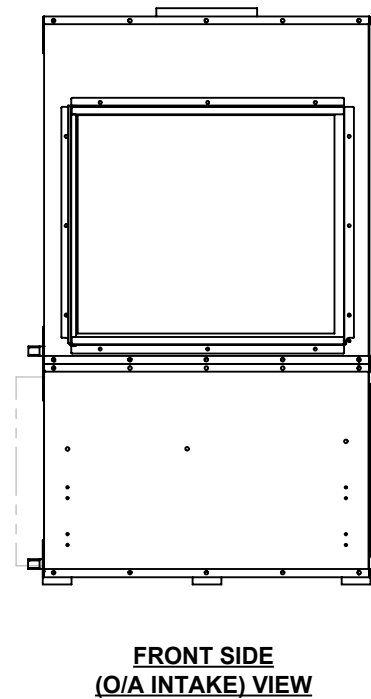
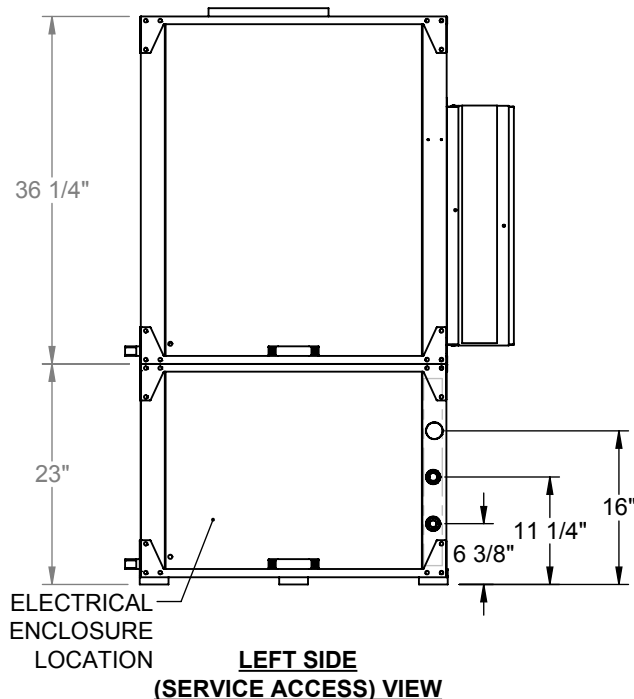
** MERV 13 FILTER QTY EQUALS 2

BLOWER MODEL	W	X	Y	Z
110-8	11 3/4"	10 5/8"	12 5/8"	7 1/16"
ATLI 7-7	12 3/8"	9 3/8"	8 3/8"	9 1/16"



3' SERVICE CLEARANCE REQUIRED

TONNAGE	CAB WEIGHT
4	709
5	735



REMOTE CONDENSER OR WATER CONNECTIONS AND CONDENSATE STUB LOCATION

WATER COOLED AND HEAT PUMP CONDENSER CONNECTIONS		OPTIONAL REMOTE CONDENSER CONNECTIONS		CONDENSATE DRAIN CONNECTION
INLET	OUTLET	DISCHARGE	LIQUID RETURN	OUTLET
1 3/8" O.D.	1 3/8" O.D.	7/8" O.D.	5/8" O.D.	1" I.D.

* APPROXIMATE DIMENSION

** ADD APPROXIMATELY 0.5 IN. FOR EXTERIOR PANEL FASTENERS

REV.	DESCRIPTION	DATE	Initials	ECN #
10	REVISED BLOWER NAMES ON OPTIONS SHEET, REMOVED SHORTHAND	10/18/2017	EAC	10336
9	UPDATED GA FOR NEW MORRISON BLOWER SIZES	4/20/2017	EAC	10285
8	CHANGED DIMENSIONS TO FRACTIONS & UPDATED QV4-5 ELECTRICAL ENCLOSURE LOCATION	1/21/2015	ASV	2444
7	ADDED FILTER DATA & OPTIONS PAGE	5/29/2014	ASV	2346

REVISIONS

This drawing and information contained herein are the exclusive property of the Desert Aire Corporation. Any use detrimental to the interests of Desert Aire is prohibited.

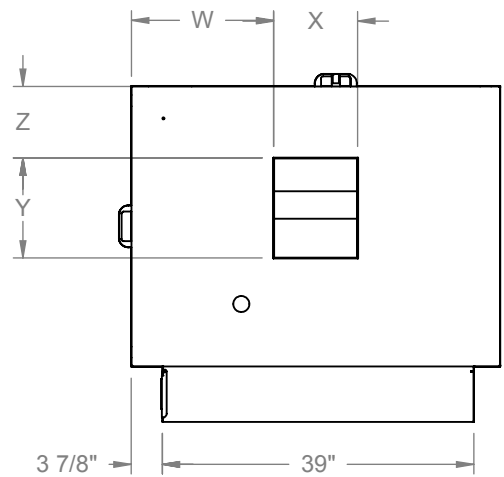
All Dimensions in Inches
All Angles 90°
All Outside Corners 0.094" Radius
Unless Otherwise Specified

Tolerance Unless Otherwise Specified
X.X ±.125
X.XX ±.060
X.XXX ±.030
Angles ±1°

All Hole Tolerances Defined by PS-0005

DESERT AIRE N120 W18485 Freistadt Road
Germantown, WI 53022
Tel: (262) 946-7400
Fax: (262) 946-7401

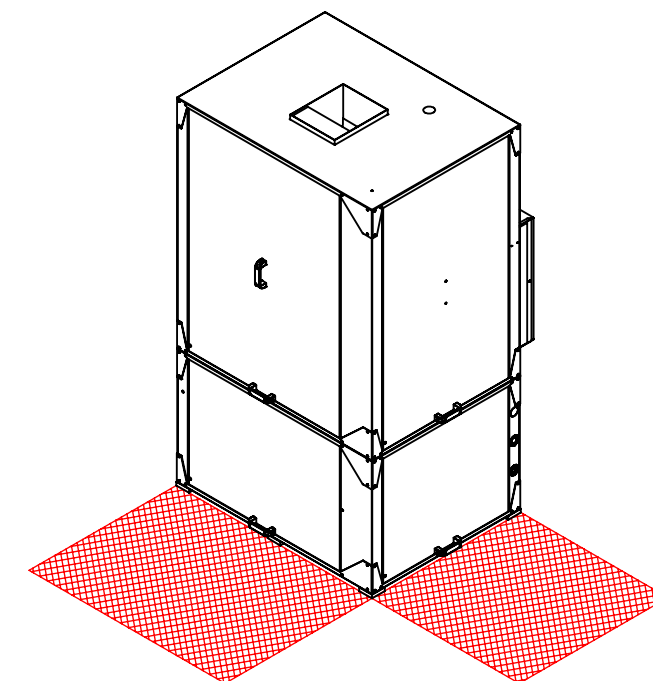
Material	Third Angle Projection	Drawn	Date Released	Description
Finish		SK	9/12/2002	GENERAL ARRANGEMENT QV 24
Part Based On	Part weight	Sheet	Page Title	
		1 / 4	4-5 TON CABINET	
		Scale	Rev.	Drawing Number
		1:20	10	VerticalAire 4-15 Ton GA



DISCHARGE VIEW

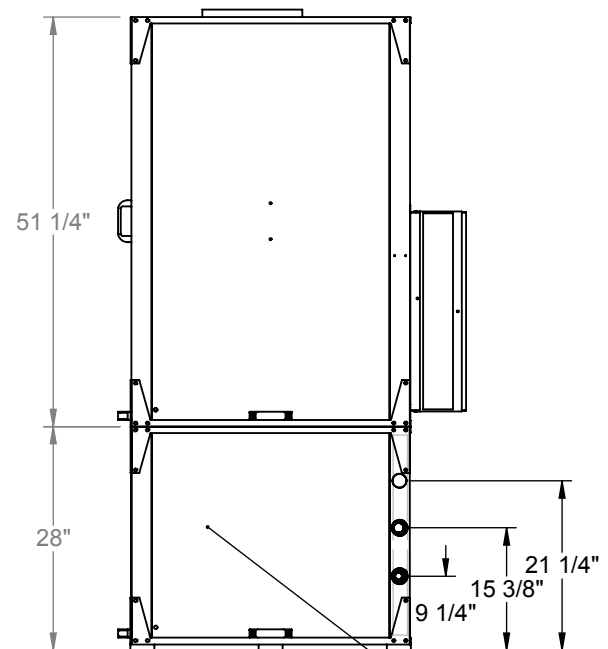
FILTER					
UNIT SIZE (TONNAGE)	4" MERV 11 PART NUMBER	4" MERV 13 PART NUMBER	NOM WIDTH	NOM HEIGHT	QTY
8-10	870-106	870-134	20	25	2

BLOWER MODEL	W	X	Y	Z
110-8	17 3/4"	10 5/8"	12 5/8"	8 15/16"
ATLI 10-7	18 1/8"	9 3/4"	11 1/2"	8 3/4"



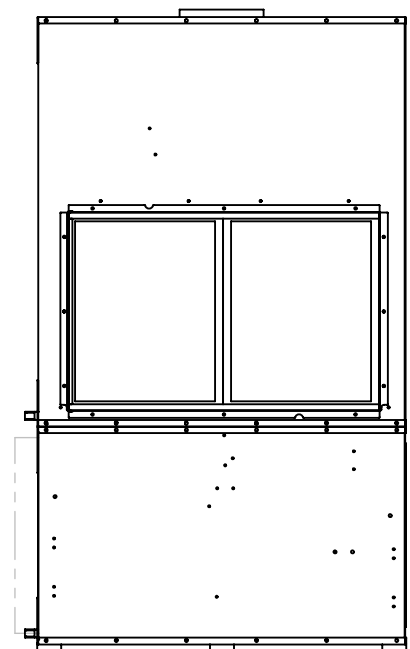
3' SERVICE CLEARANCE REQUIRED

TONNAGE	CAB WEIGHT
8	1050
10	1117

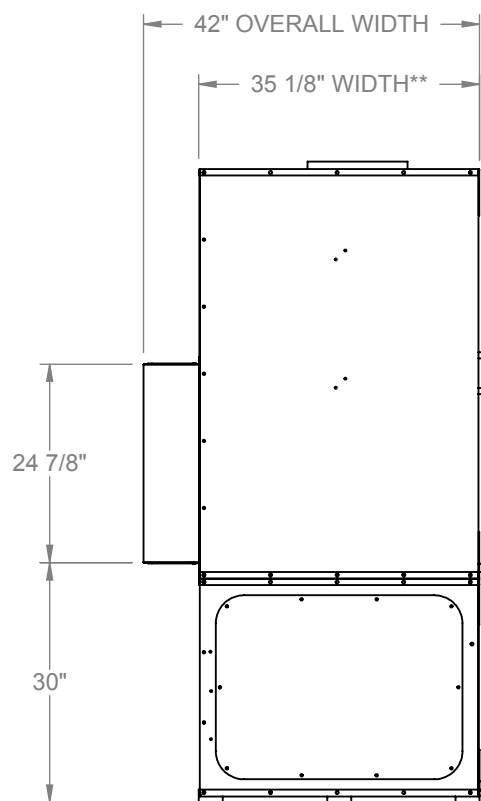


LEFT SIDE (SERVICE ACCESS) VIEW

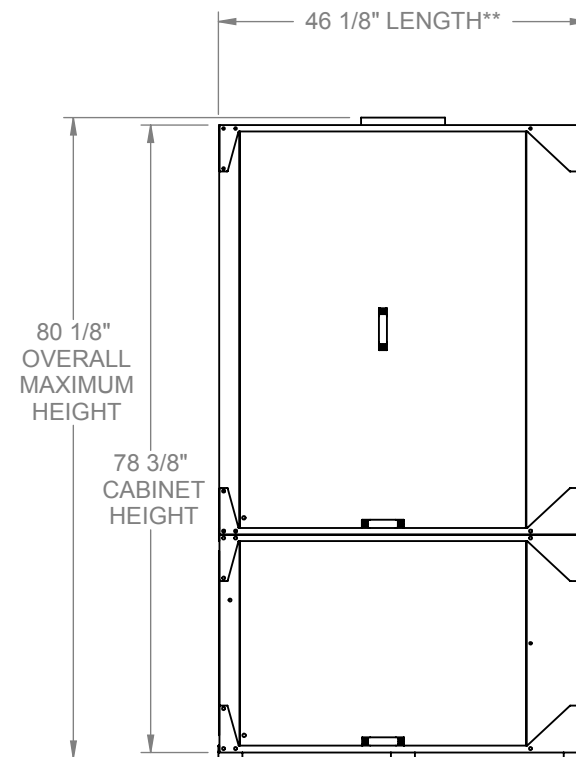
ELECTRICAL ENCLOSURE LOCATION



FRONT SIDE (O/A INTAKE) VIEW



RIGHT SIDE VIEW (NO ACCESS)



BACK SIDE (SERVICE ACCESS) VIEW

3.00*

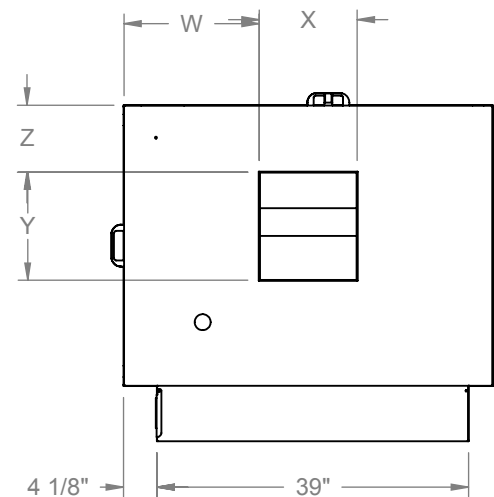
REMOTE CONDENSER OR WATER CONNECTIONS AND CONDENSATE STUB LOCATION

WATER COOLED AND HEAT PUMP CONDENSER CONNECTIONS		OPTIONAL REMOTE CONDENSER CONNECTIONS		CONDENSATE DRAIN CONNECTION
INLET	OUTLET	DISCHARGE	LIQUID RETURN	OUTLET
1 3/8" O.D.	1 3/8" O.D.	1 1/8" O.D.	5/8" O.D.	1" I.D.

This drawing and information contained herein are the exclusive property of the Desert Aire Corporation. Any use detrimental to the interests of Desert Aire is prohibited.	All Dimensions in Inches All Angles 90° All Outside Corners 0.094" Radius Unless Otherwise Specified	Tolerance Unless Otherwise Specified X.X ±.125 X.XX ±.060 X.XXX ±.030 Angles ±1° All Hole Tolerances Defined by PS-0005	N120 W18485 Freistadt Road Germantown, WI 53022 Tel: (262) 946-7400 Fax: (262) 946-7401
Material:	Third Angle Projection	Sheet: 2 / 4 Page Title: 8-10 TON CABINET	Drawing Number: VerticalAire 4-15 Ton GA
Part Based On:		Scale: 1:24 Rev: 10	

* APPROXIMATE DIMENSION

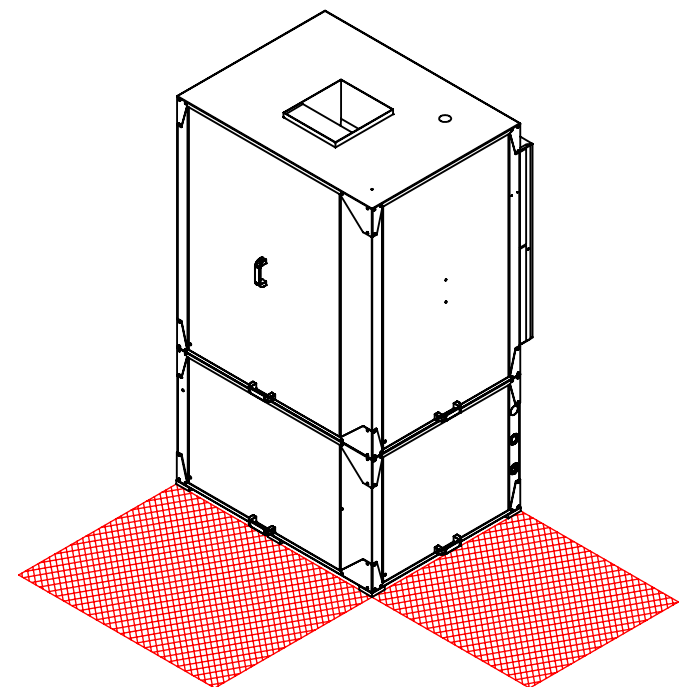
** ADD APPROXIMATELY 0.5 IN. FOR EXTERIOR PANEL FASTENERS



DISCHARGE VIEW

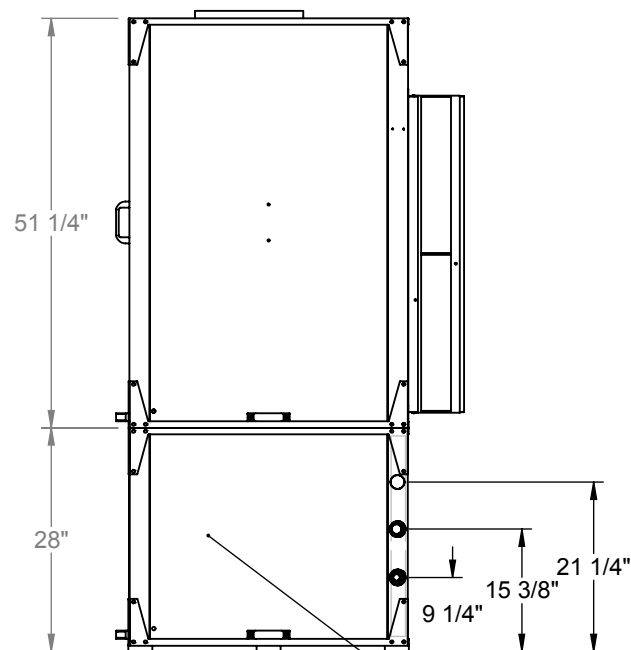
FILTER					
UNIT SIZE (TONNAGE)	4" MERV 11 PART NUMBER	4" MERV 13 PART NUMBER	NOM WIDTH	NOM HEIGHT	QTY
15	870-107	870-129	20	20	4

BLOWER MODEL	W	X	Y	Z
120-9	16 7/8"	12 3/8"	13 5/8"	8 1/4"
ATLI 10-7	18 1/8"	9 3/4"	11 1/2"	8 3/4"



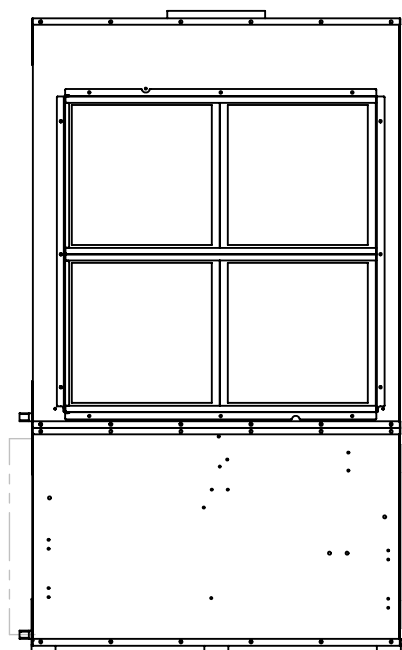
3' SERVICE CLEARANCE REQUIRED

TONNAGE	WEIGHT
15	1560

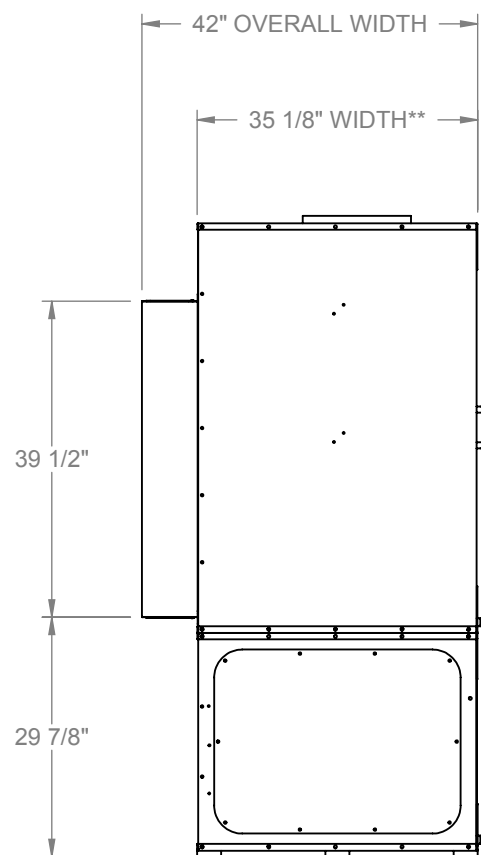


LEFT SIDE (SERVICE ACCESS) VIEW

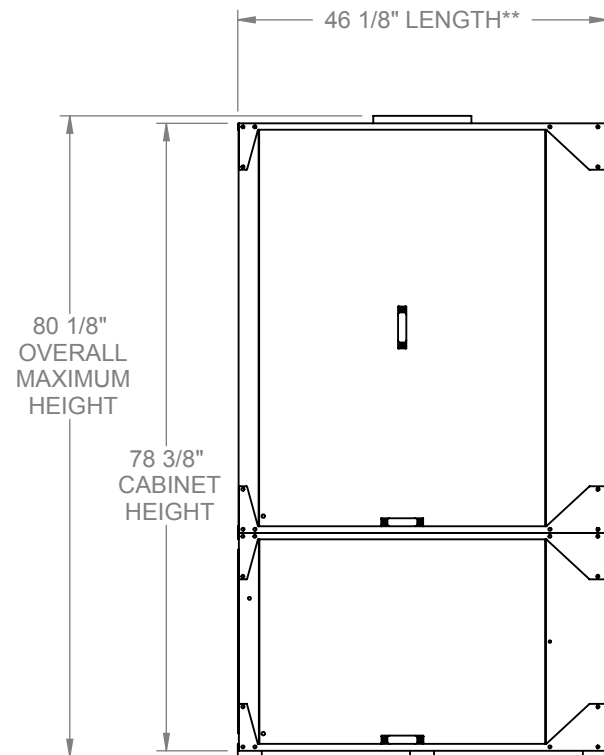
ELECTRICAL ENCLOSURE LOCATION



FRONT SIDE (O/A INTAKE) VIEW



RIGHT SIDE VIEW (NO ACCESS)



BACK SIDE (SERVICE ACCESS) VIEW

REMOTE CONDENSER OR WATER CONNECTIONS AND CONDENSATE STUB LOCATION

WATER COOLED AND HEAT PUMP CONDENSER CONNECTIONS		OPTIONAL REMOTE CONDENSER CONNECTIONS		CONDENSATE DRAIN CONNECTION
INLET	OUTLET	DISCHARGE	LIQUID RETURN	OUTLET
1 5/8" O.D.	1 5/8" O.D.	1 1/8" O.D.	7/8" O.D.	1" I.D.

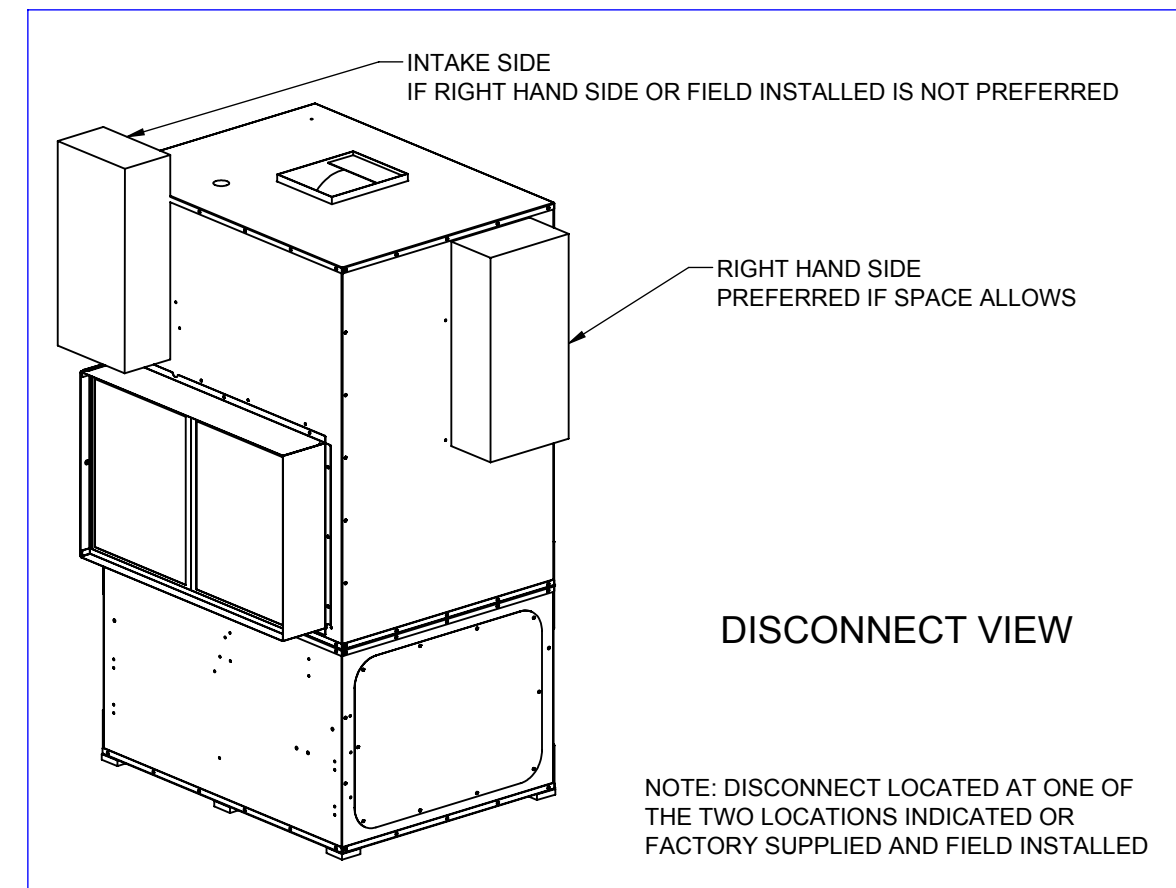
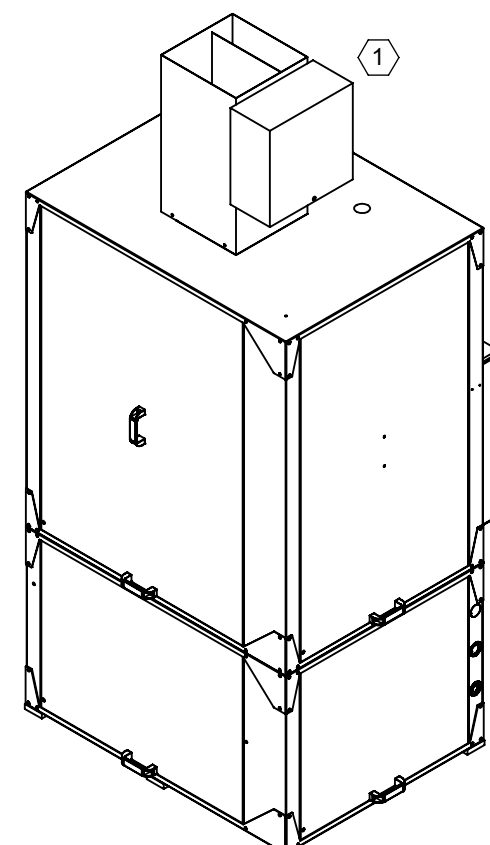
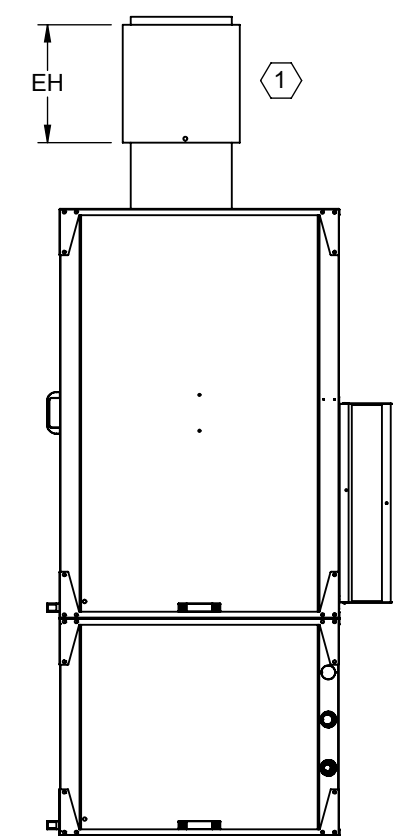
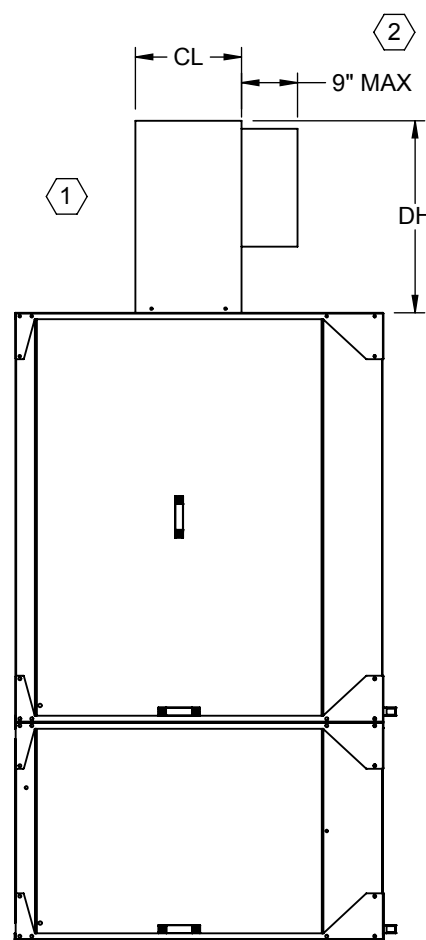
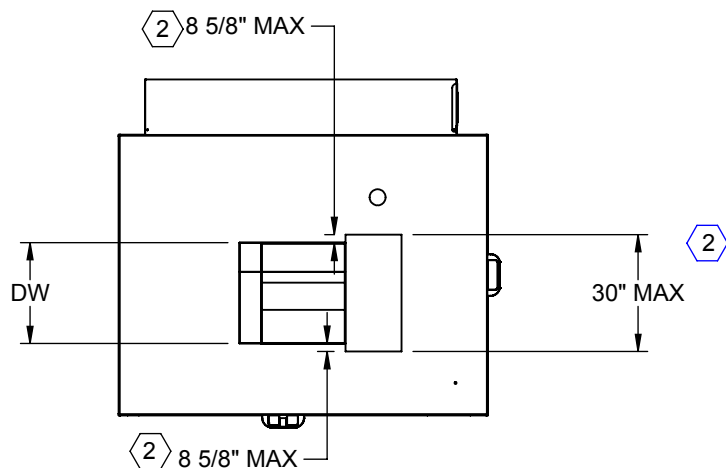
This drawing and information contained herein are the exclusive property of the Desert Aire Corporation. Any use detrimental to the interests of Desert Aire is prohibited.	All Dimensions in Inches All Angles 90° All Outside Corners 0.094" Radius Unless Otherwise Specified	Tolerance Unless Otherwise Specified X.X ±.125 X.XX ±.060 X.XXX ±.030 Angles ±1° All Hole Tolerances Defined by PS-0005	N120 W18485 Freistadt Road Germantown, WI 53022 Tel: (262) 946-7400 Fax: (262) 946-7401
Material:	Third Angle Projection	Sheet: 3 / 4 Page Title: 15 TON CABINET	Drawing Number: VerticalAire 4-15 Ton GA
Finish:		Scale: 1:24 Rev: 10	
Part Based On:	Part weight:		

* APPROXIMATE DIMENSION

** ADD APPROXIMATELY 0.5 IN. FOR EXTERIOR PANEL FASTENERS

- ① HEATER IS FACTORY SUPPLIED ACCESSORY FIELD INSTALLED
- ② MAX DIMENSIONS MAY BE SMALLER FOR SMALLER KW HEATERS

APPLICABLE UNIT SIZE	HEATER FRAME / BLOWER SIZE	MAX KW / SUPPLY VOLTAGE																		DUCT HEATER DIMENSIONS							
		240/1/60			240/3/60			480/3/60			600/3/60			208/1/60			208/3/60			CL	DH			DW	EH		
		S	M	L	S	M	L	S	M	L	S	M	L	S	M	L	S	M	L		S	M	L				
QV04	F (110x8 BLOWER)	30			37			42			40			26			32			10.63	24.00			12.75	22.00		
QV04	J (ATLI 7-7 BLOWER)	16			15			18			20			15			16			9.26	15.00			8.44	13.00		
QV05	F (110x8 BLOWER)	30			37			42			40			26			32			10.63	24.00			12.75	22.00		
QV05	J (ATLI 7-7 BLOWER)	16		30	15		35	18		35	20		32	15		31	16		31	9.26	15.00		22.00	8.44	13.00		20.00
QV08	G (110x8 BLOWER)	30			37			42			40			26			32			10.63	24.00			12.75	22.00		
QV08	K (ATLI 10-7 BLOWER)	16	30	37	15	35	50	18	35	60	20	32	55	15	31	35	16	31	48	9.82	15.00	22.00	34.00	11.61	13.00	20.00	32.00
QV10	G (110x8 BLOWER)	17	30	40	18	37	55	22	42	70	23	40	62	15	26	37	19	32	50	10.63	15.00	22.00	34.00	12.75	13.00	20.00	32.00
QV10	K (ATLI 10-7 BLOWER)	16	30	37	15	35	50	18	35	60	20	32	55	15	31	35	16	31	48	9.82	15.00	22.00	34.00	11.61	13.00	20.00	32.00
QV15	H (120x9 BLOWER)	20	32	45	25	50	60	26	50	74	26	46	66	20	28	39	22	45	54	12.38	15.00	22.00	34.00	13.66	13.00	20.00	32.00
QV15	K (ATLI 10-7 BLOWER)	30			35			35			37			28			32			9.82	17.00			11.61	15.00		



This drawing and information contained herein are the exclusive property of the Desert Aire Corporation. Any use detrimental to the interests of Desert Aire is prohibited.

All Dimensions in Inches
All Angles 90°
All Outside Corners 0.094" Radius
Unless Otherwise Specified

Tolerance Unless Otherwise Specified
X.X ±.125
X.XX ±.060
X.XXX ±.030
Angles ±1°

All Hole Tolerances Defined by PS-0005

Material

Finish

Part Based On

Part weight

Third Angle Projection

Drawn SK Date Released 9/12/2002 Description GENERAL ARRANGEMENT QV 36

Sheet 4 / 4 Page Title OPTIONS

Scale 1:24 Rev. 10 Drawing Number VerticalAire 4-15 Ton GA

DESERT AIRE N120 W18485 Freistadt Road Germantown, WI 53022 Tel: (262) 946-7400 Fax: (262) 946-7401