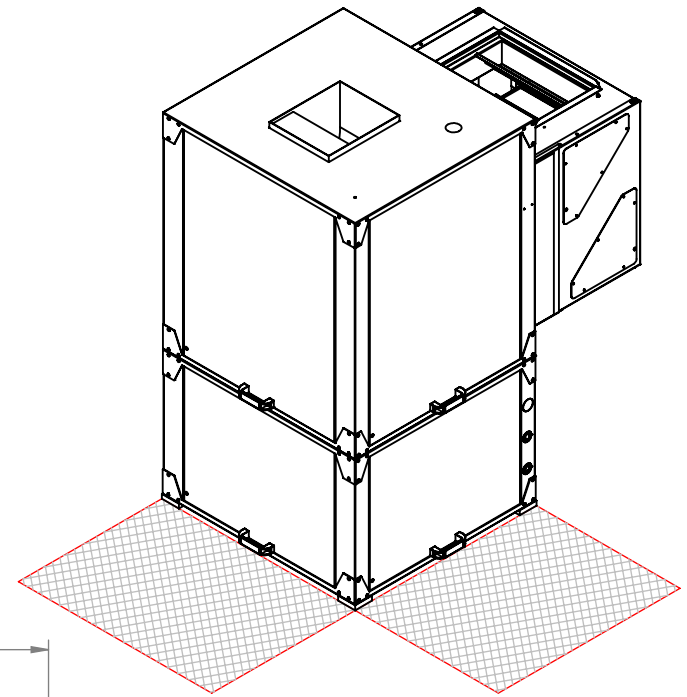


FILTER					
UNIT SIZE (TONNAGE)	4" MERV 11 PART NUMBER	4" MERV 13 PART NUMBER	NOM WIDTH	NOM HEIGHT	QTY
4-5	870-136	** 870-135	25	29	**1

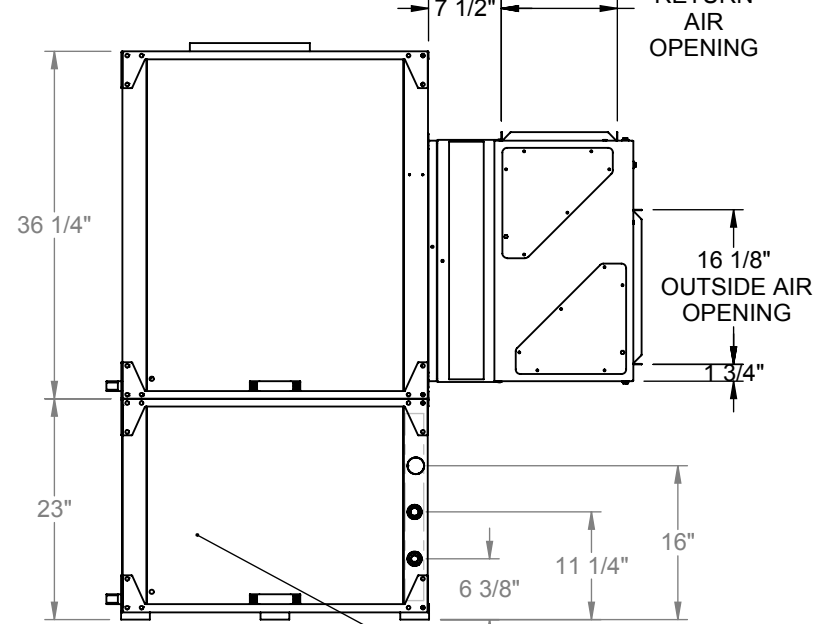
\*\* MERV 13 FILTER QTY EQUALS 2

BLOWER MODEL	W	X	Y	Z
110-8	11 3/4"	10 5/8"	12 5/8"	7 1/16"
ATLI 7-7	12 3/8"	9 3/8"	8 3/8"	9 1/16"

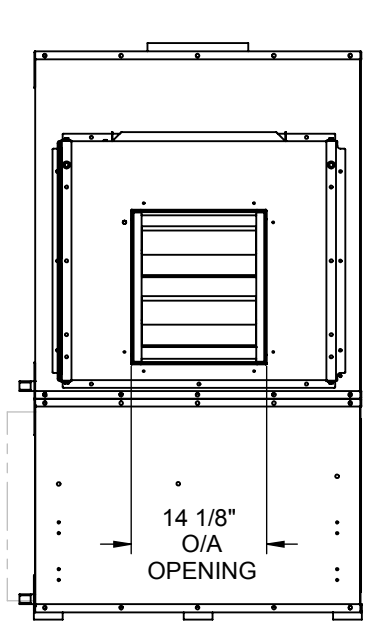


3' SERVICE CLEARANCE REQUIRED

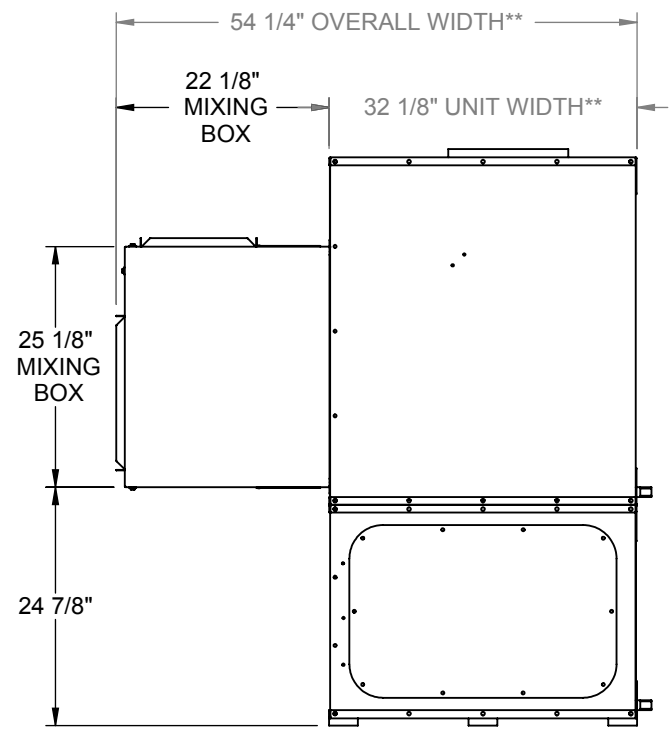
TONNAGE	CAB WEIGHT
4	709
5	735



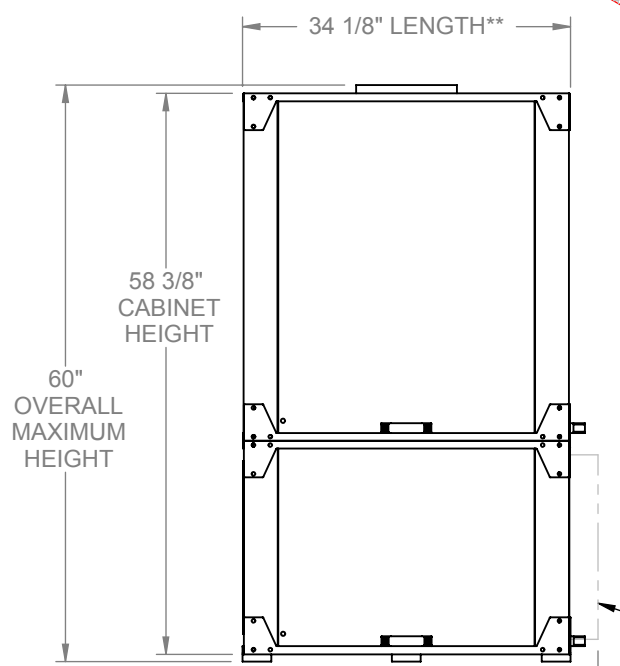
LEFT SIDE (SERVICE ACCESS) VIEW  
ELECTRICAL ENCLOSURE LOCATION



FRONT SIDE (O/A INTAKE) VIEW



RIGHT SIDE VIEW (NO ACCESS)



BACK SIDE (SERVICE ACCESS) VIEW

REMOTE CONDENSER OR WATER CONNECTIONS AND CONDENSATE STUB LOCATION

WATER COOLED AND HEAT PUMP CONDENSER CONNECTIONS		OPTIONAL REMOTE CONDENSER CONNECTIONS		CONDENSATE DRAIN CONNECTION
INLET	OUTLET	DISCHARGE	LIQUID RETURN	OUTLET
1 3/8" O.D.	1 3/8" O.D.	7/8" O.D.	5/8" O.D.	1" I.D.

REV.	DESCRIPTION	DATE	Initials	ECN #
11	REVISED BLOWER NAMES ON OPTIONS SHEET, REMOVED SHORTHAND	10/18/2017	EAC	10336
10	UPDATED GA FOR NEW MORRISON BLOWER SIZES	4/25/2017	EAC	10285
9	UPDATED DAMPER SIZES AND LOCATIONS	9/27/2016	ASV	EC-10149
8	CHANGED DIMENSIONS TO FRACTIONS & UPDATED ELECTRICAL ENCLOSURE LOCATION	1/21/2015	ASV	2444

REVISIONS

This drawing and information contained herein are the exclusive property of the Desert Aire Corporation. Any use detrimental to the interests of Desert Aire is prohibited.

All Dimensions in Inches  
All Angles 90°  
All Outside Corners 0.094" Radius  
Unless Otherwise Specified

Tolerance Unless Otherwise Specified  
X.X ±.125  
X.XX ±.060  
X.XXX ±.030  
Angles ±1°  
All Hole Tolerances Defined by PS-0005

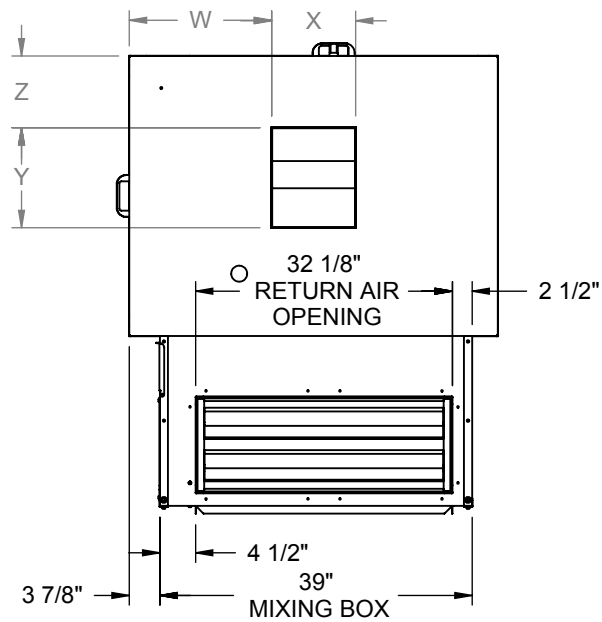
**DESERT AIRE**  
N120 W18485 Freistadt Road  
Germantown, WI 53022  
Tel: (262) 946-7400  
Fax: (262) 946-7401

Material	Third Angle Projection	Drawn	Date Released	Description
Finish		SK	2/17/2003	GENERAL ARRANGEMENT QV 24
Part Based On	Part weight	Sheet	Page Title	
		1 / 4	4-5 TON CABINET	
		Scale	Rev.	Drawing Number
		1:20	11	VerticalAire & Mixing Box 4-15 Ton GA

\* APPROXIMATE DIMENSION

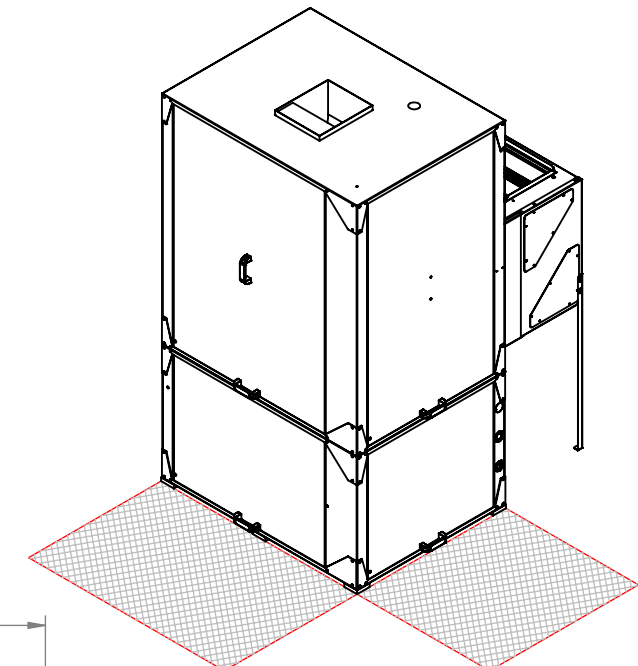
\*\* ADD APPROXIMATELY 1/2 IN. FOR EXTERIOR PANEL FASTENERS

**DISCHARGE VIEW**



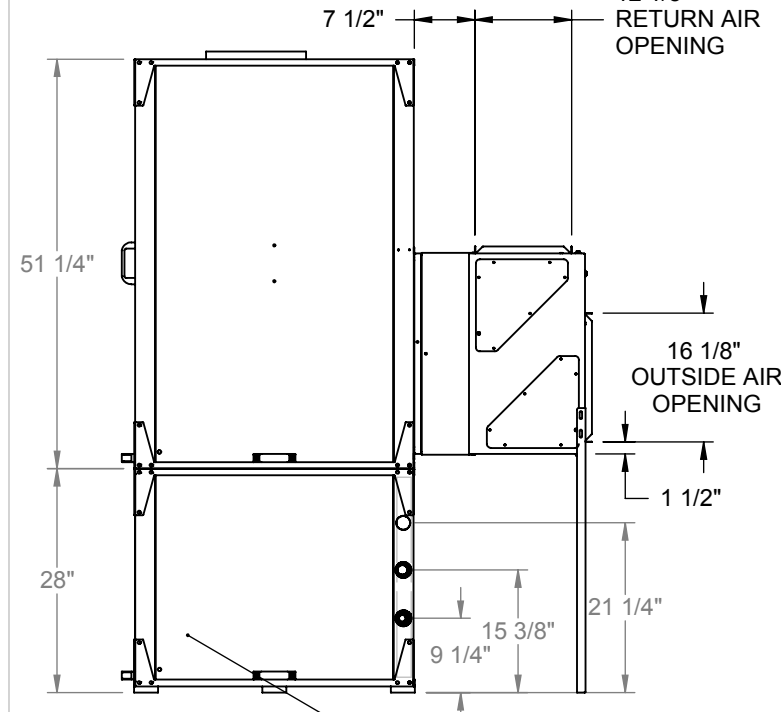
FILTER					
UNIT SIZE (TONNAGE)	4" MERV 11 PART NUMBER	4" MERV 13 PART NUMBER	NOM WIDTH	NOM HEIGHT	QTY
8-10	870-106	870-134	20	25	2

BLOWER MODEL	W	X	Y	Z
110-8	17 3/4"	10 5/8"	12 5/8"	8 15/16"
ATLI 10-7	18 1/8"	9 3/4"	11 1/2"	8 3/4"

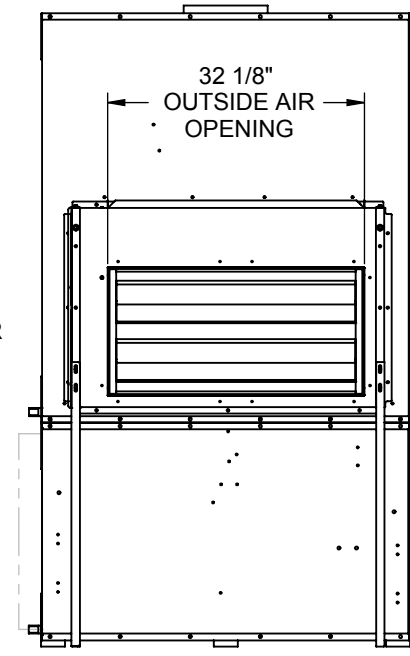


3' SERVICE CLEARANCE REQUIRED

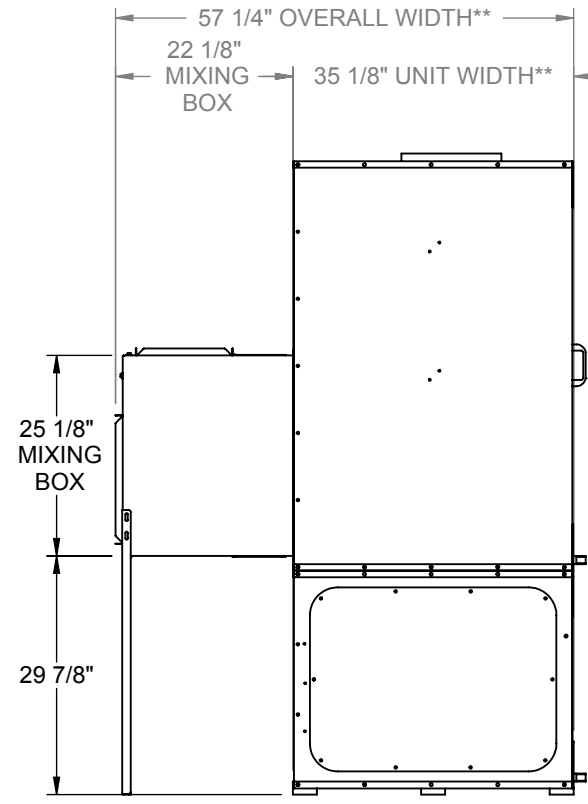
TONNAGE	CAB WEIGHT
8	1050
10	1117



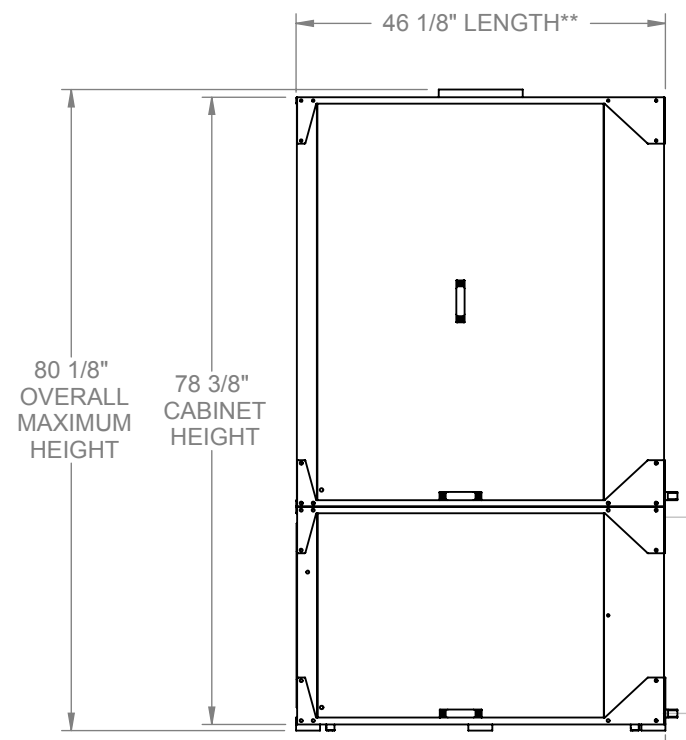
**LEFT SIDE (SERVICE ACCESS) VIEW**  
ELECTRICAL ENCLOSURE LOCATION



**FRONT SIDE (O/A INTAKE) VIEW**



**RIGHT SIDE VIEW (NO ACCESS)**



**BACK SIDE (SERVICE ACCESS) VIEW**

REMOTE CONDENSER OR WATER CONNECTIONS AND CONDENSATE STUB LOCATION

WATER COOLED AND HEAT PUMP CONDENSER CONNECTIONS		OPTIONAL REMOTE CONDENSER CONNECTIONS		CONDENSATE DRAIN CONNECTION
INLET	OUTLET	DISCHARGE	LIQUID RETURN	OUTLET
1 3/8" O.D.	1 3/8" O.D.	1 1/8" O.D.	5/8" O.D.	1" I.D.

This drawing and information contained herein are the exclusive property of the Desert Aire Corporation. Any use detrimental to the interests of Desert Aire is prohibited.

All Dimensions in Inches  
All Angles 90°  
All Outside Corners 0.094" Radius  
Unless Otherwise Specified

Tolerance Unless Otherwise Specified  
X.X ±.125  
X.XX ±.060  
X.XXX ±.030  
Angles ±1°

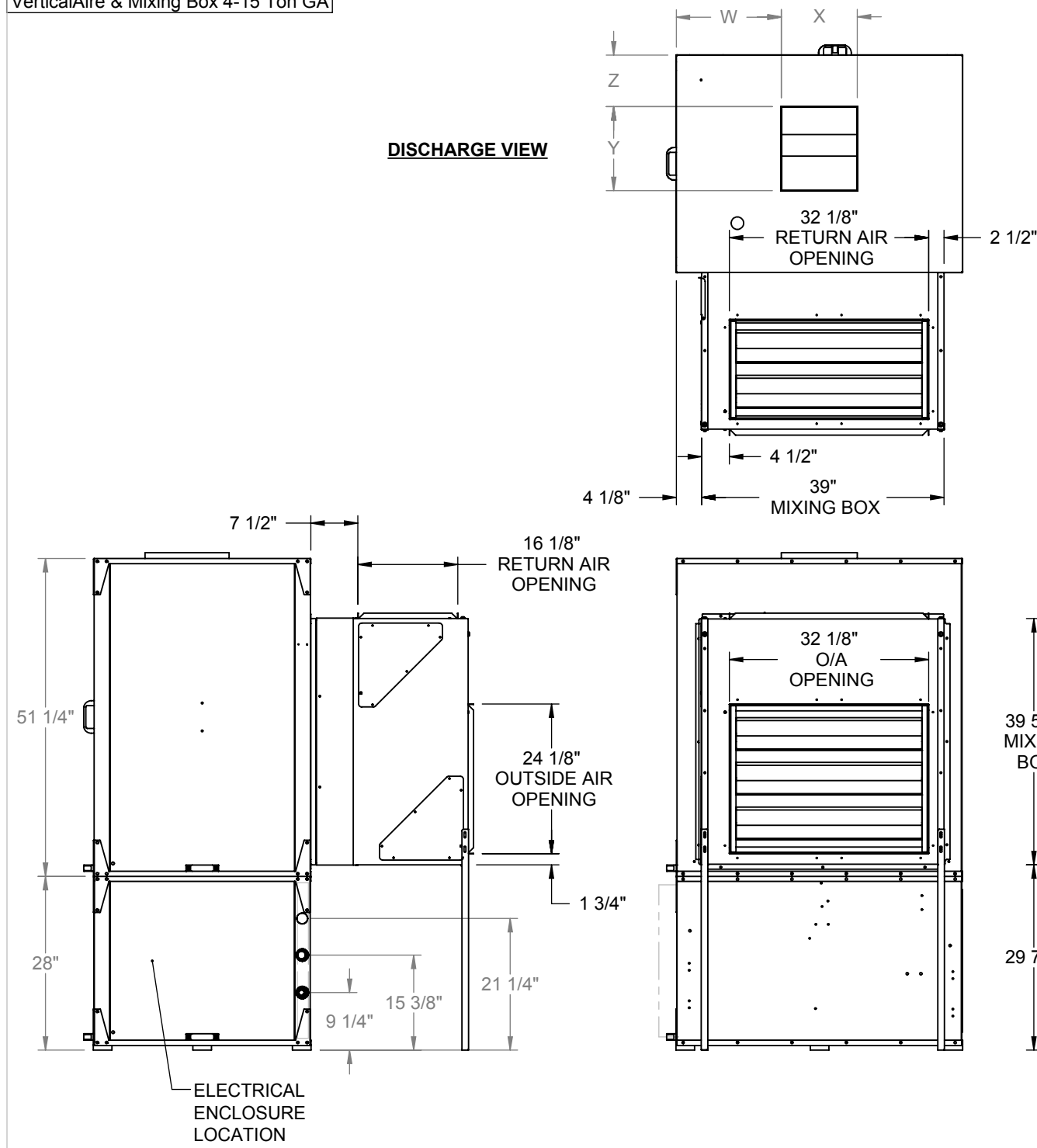
All Hole Tolerances Defined by PS-0005

**DESERT AIRE**  
N120 W18485 Freistadt Road  
Germantown, WI 53022  
Tel: (262) 946-7400  
Fax: (262) 946-7401

Material	Third Angle Projection	Drawn	Date Released	Description
Finish		SK	2/17/2003	GENERAL ARRANGEMENT QV 36
Part Based On		Sheet	2 / 4	Page Title
	Part weight	Scale	1:24	Rev. 11 Drawing Number VerticalAire & Mixing Box 4-15 Ton GA

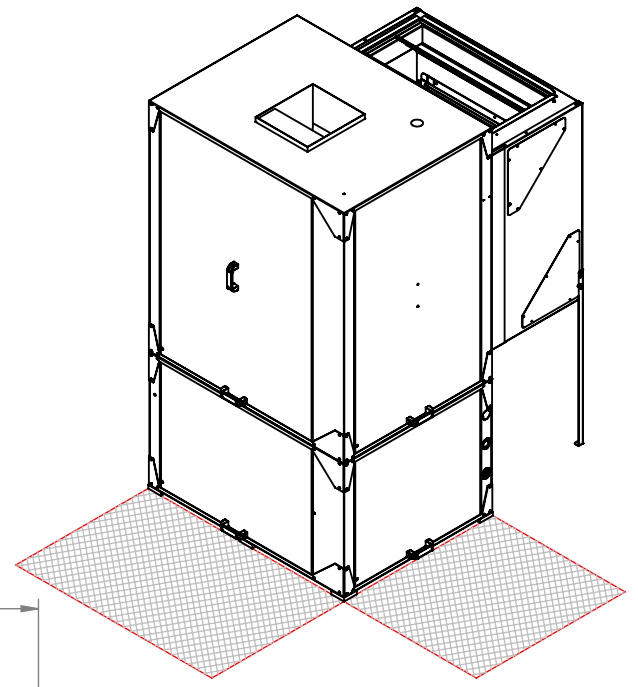
\* APPROXIMATE DIMENSION

\*\* ADD APPROXIMATELY 1/2 IN. FOR EXTERIOR PANEL FASTENERS



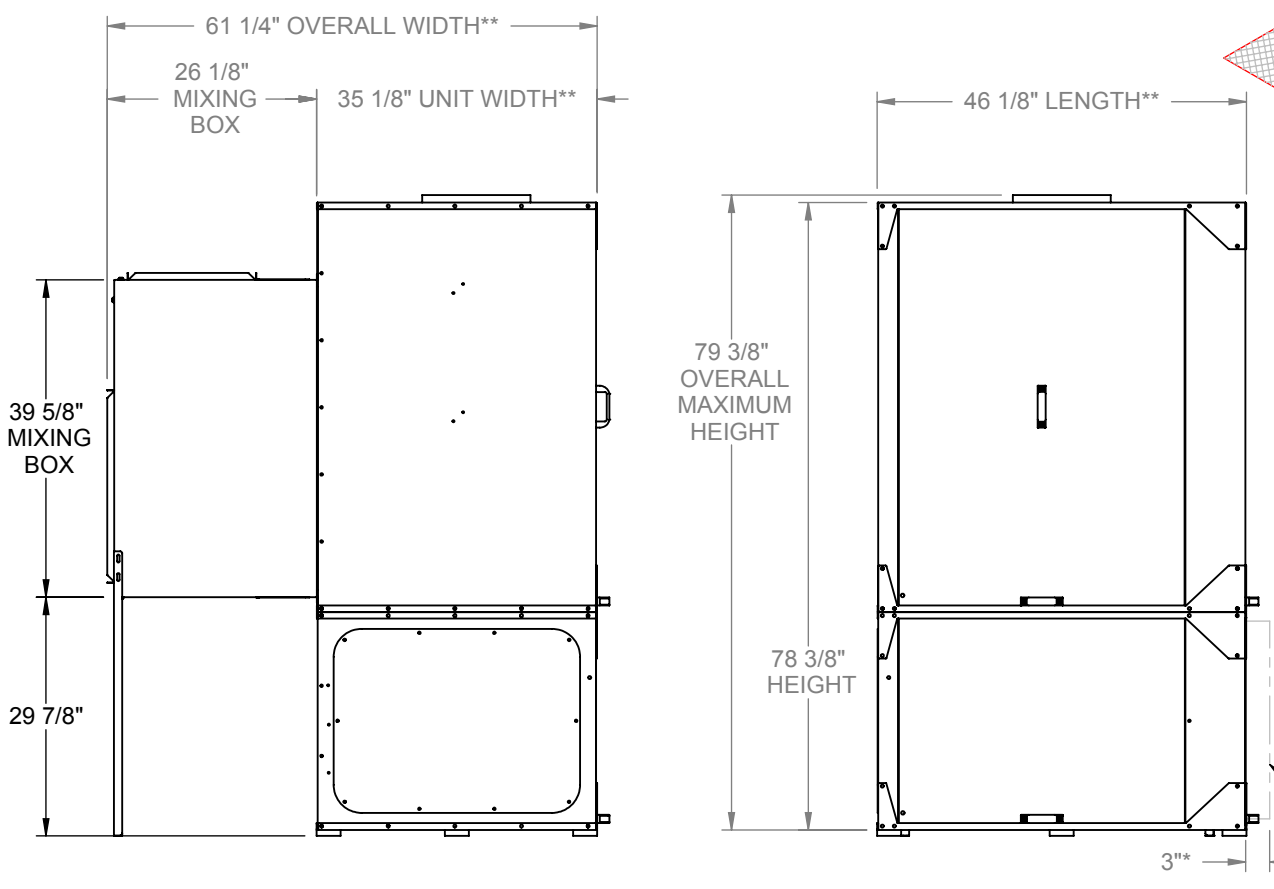
FILTER					
UNIT SIZE (TONNAGE)	4" MERV 11 PART NUMBER	4" MERV 13 PART NUMBER	NOM WIDTH	NOM HEIGHT	QTY
15	870-107	870-129	20	20	4

BLOWER MODEL	W	X	Y	Z
120-9	16 7/8"	12 3/8"	13 5/8"	8 1/4"
ATLI 10-7	18 1/8"	9 3/4"	11 1/2"	8 3/4"



3' SERVICE CLEARANCE REQUIRED

TONNAGE	WEIGHT
15	1560



REMOTE CONDENSER OR WATER CONNECTIONS AND CONDENSATE STUB LOCATION

WATER COOLED AND HEAT PUMP CONDENSER CONNECTIONS		OPTIONAL REMOTE CONDENSER CONNECTIONS		CONDENSATE DRAIN CONNECTION
INLET	OUTLET	DISCHARGE	LIQUID RETURN	OUTLET
1 5/8" O.D.	1 5/8" O.D.	1 1/8" O.D.	7/8" O.D.	1" I.D.

This drawing and information contained herein are the exclusive property of the Desert Aire Corporation. Any use detrimental to the interests of Desert Aire is prohibited.

All Dimensions in Inches  
All Angles 90°  
All Outside Corners 0.094" Radius  
Unless Otherwise Specified

Tolerance Unless Otherwise Specified  
X.X ±.125  
X.XX ±.060  
X.XXX ±.030  
Angles ±1°

All Hole Tolerances Defined by PS-0005

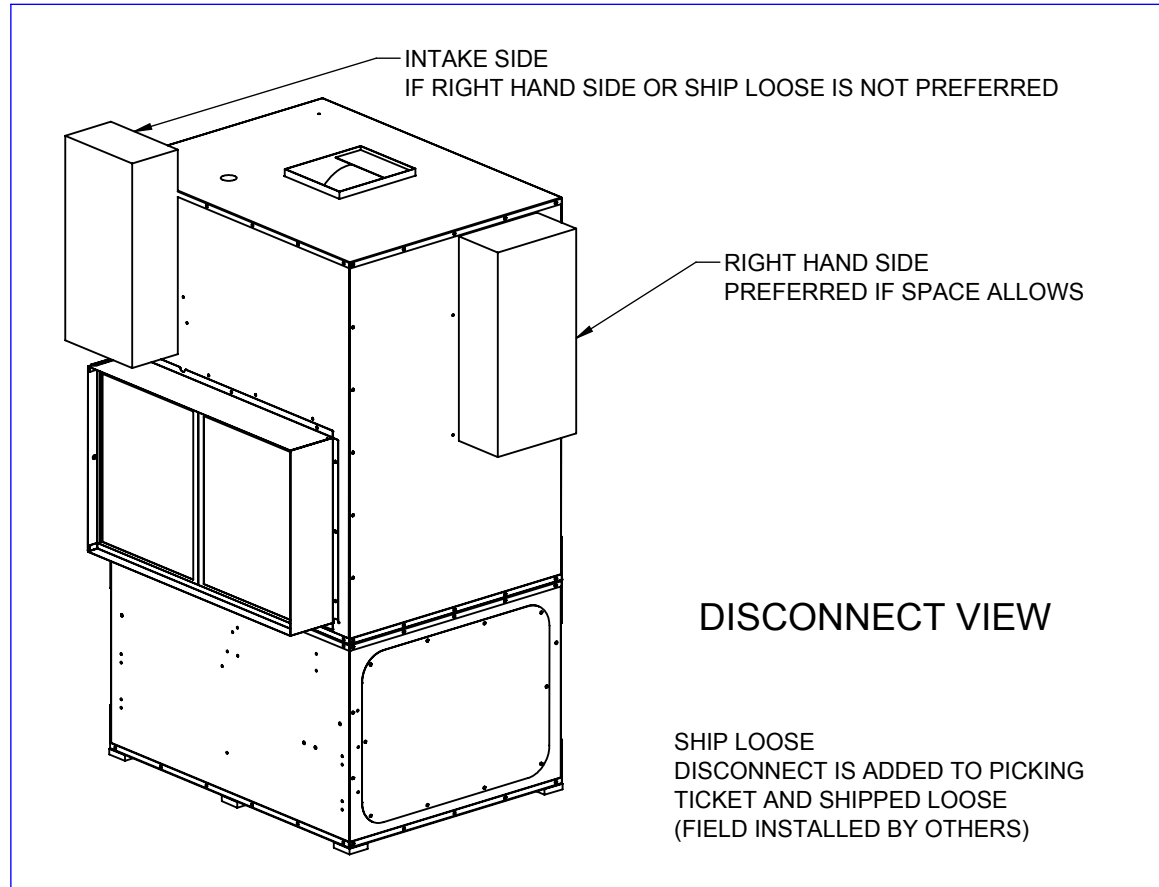
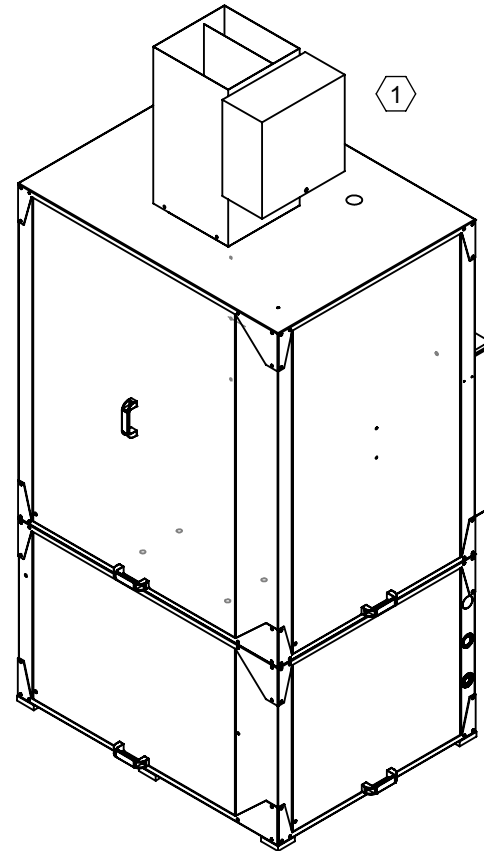
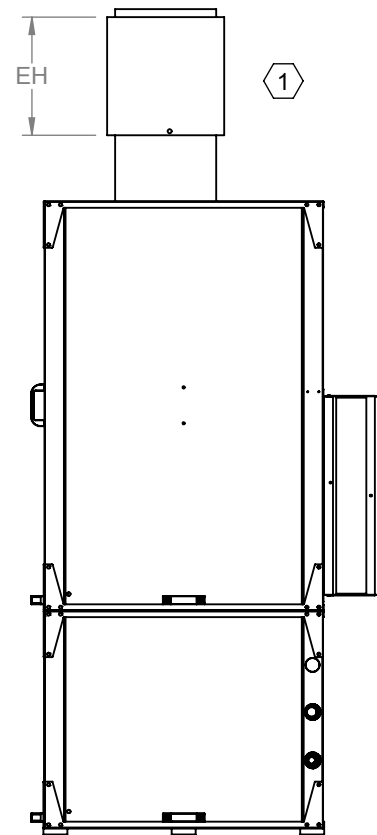
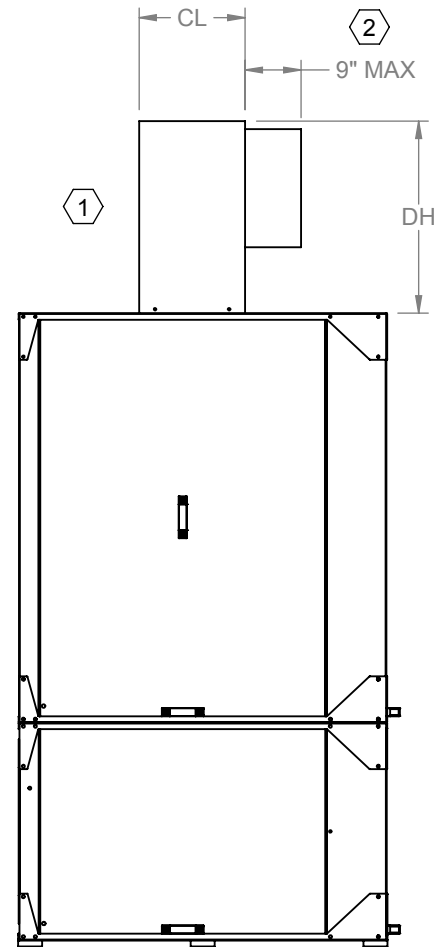
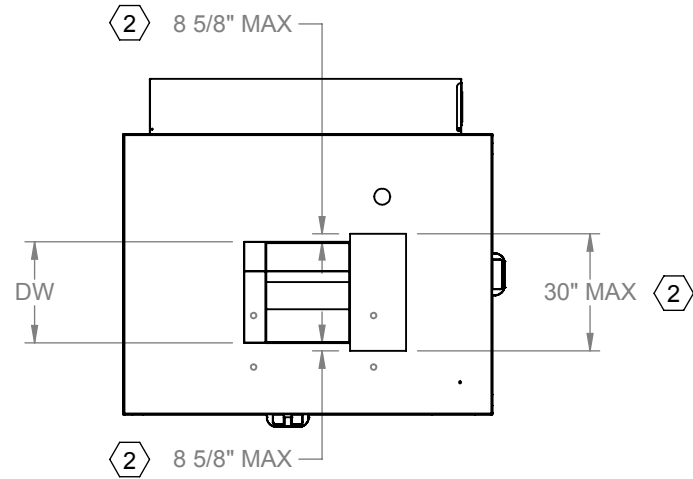
**DESERT AIRE** N120 W18485 Freistadt Road  
Germantown, WI 53022  
Tel: (262) 946-7400  
Fax: (262) 946-7401

Material	Third Angle Projection	Drawn	Date Released	Description
Finish		SK	2/17/2003	GENERAL ARRANGEMENT QV 36
Part Based On		Sheet	3 / 4	Page Title
	Part weight	Scale	1:24	Rev. 11 Drawing Number VerticalAire & Mixing Box 4-15 Ton GA

\* APPROXIMATE DIMENSION

\*\* ADD APPROXIMATELY 1/2" IN. FOR EXTERIOR PANEL FASTENERS

- ① HEATER IS FACTORY SUPPLIED ACCESSORY FIELD INSTALLED
- ② MAX DIMENSIONS MAY BE SMALLER FOR SMALLER KW HEATERS



SHIP LOOSE HEATER IS ADDED TO PICKING TICKET AND SHIPPED LOOSE (FIELD INSTALLED BY OTHERS)

APPLICABLE UNIT SIZE	HEATER FRAME / BLOWER SIZE	MAX KW / SUPPLY VOLTAGE																		DUCT HEATER DIMENSIONS								
		240/1/60			240/3/60			480/3/60			600/3/60			208/1/60			208/3/60			CL	DH			DW	EH			
		S	M	L	S	M	L	S	M	L	S	M	L	S	M	L	S	M	L		S	M	L					
QV04	F (110x8 BLOWER)	30			37			42			40			26			32			10.63	24.00			12.75	22.00			
QV04	J (ATLI 7-7 BLOWER)	16			15			18			20			15			16			9.26	15.00			8.44	13.00			
QV05	F (110x8 BLOWER)	30			37			42			40			26			32			10.63	24.00			12.75	22.00			
QV05	J (ATLI 7-7 BLOWER)	16		30	15		35	18		35	20		32	15		31	16		31	9.26	15.00		22.00	8.44	13.00		20.00	
QV08	G (110x8 BLOWER)	30			37			42			40			26			32			10.63	24.00			12.75	22.00			
QV08	K (ATLI 10-7 BLOWER)	16	30	37	15	35	50	18	35	60	20	32	55	15	31	35	16	31	48	9.82	15.00	22.00	34.00	11.61	13.00	20.00	32.00	
QV10	G (110x8 BLOWER)	17	30	40	18	37	55	22	42	70	23	40	62	15	26	37	19	32	50	10.63	15.00	22.00	34.00	12.75	13.00	20.00	32.00	
QV10	K (ATLI 10-7 BLOWER)	16	30	37	15	35	50	18	35	60	20	32	55	15	31	35	16	31	48	9.82	15.00	22.00	34.00	11.61	13.00	20.00	32.00	
QV15	H (120x9 BLOWER)	20	32	45	25	50	60	26	50	74	26	46	66	20	28	39	22	45	54	12.38	15.00	22.00	34.00	13.66	13.00	20.00	32.00	
QV15	K (ATLI 10-7 BLOWER)	30			35			35			37			28			32			9.82	17.00			11.61	15.00			

This drawing and information contained herein are the exclusive property of the Desert Aire Corporation. Any use detrimental to the interests of Desert Aire is prohibited.

All Dimensions in Inches  
All Angles 90°  
All Outside Corners 0.094" Radius  
Unless Otherwise Specified

Tolerance Unless Otherwise Specified  
X.X ±.125  
X.XX ±.060  
X.XXX ±.030  
Angles ±1°  
All Hole Tolerances Defined by PS-0005

**DESERT AIRE**  
N120 W18485 Freistadt Road  
Germantown, WI 53022  
Tel: (262) 946-7400  
Fax: (262) 946-7401

Material  
Finish  
Part Based On

Third Angle Projection  
Part weight

Drawn: SK  
Date Released: 9/12/2002  
Sheet: 4 / 4  
Scale: 1:24

Description: GENERAL ARRANGEMENT QV 36  
Page Title: OPTIONS  
Rev: 11  
Drawing Number: VerticalAire & Mixing Box 4-15 Ton GA