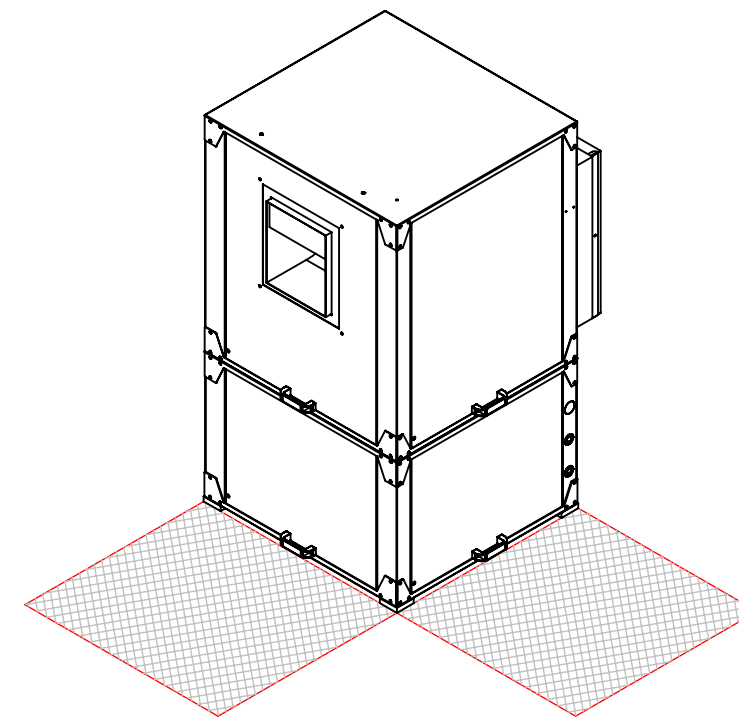


FILTER					
UNIT SIZE (TONNAGE)	4" MERV 11 PART NUMBER	4" MERV 13 PART NUMBER	NOM WIDTH	NOM HEIGHT	QTY
4-5	870-136	** 870-135	25	29	**1

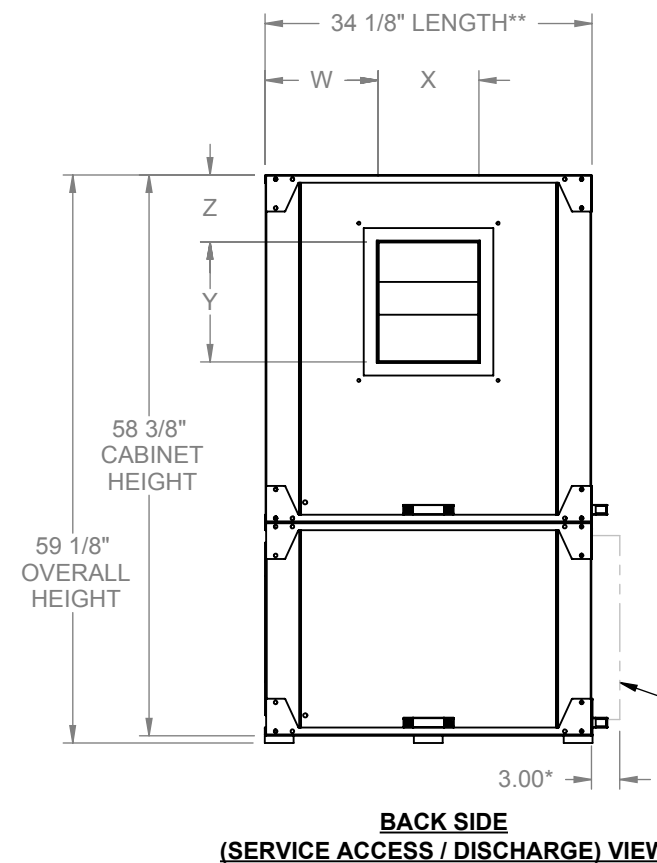
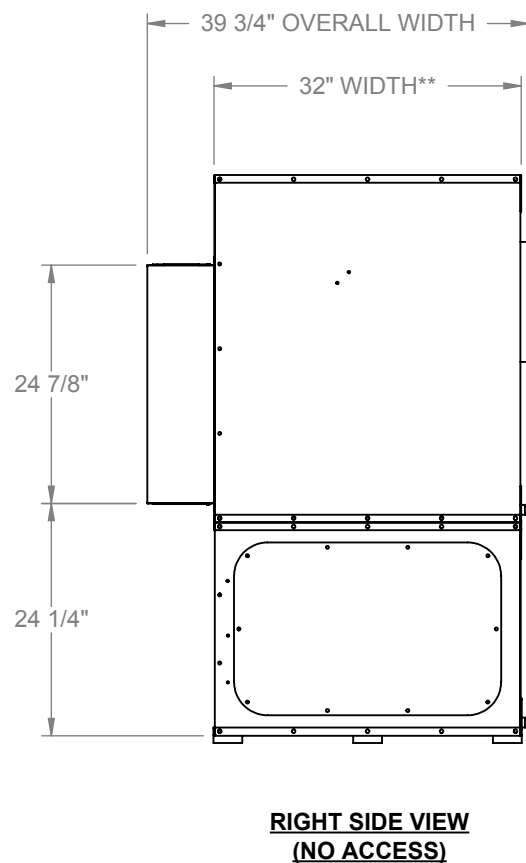
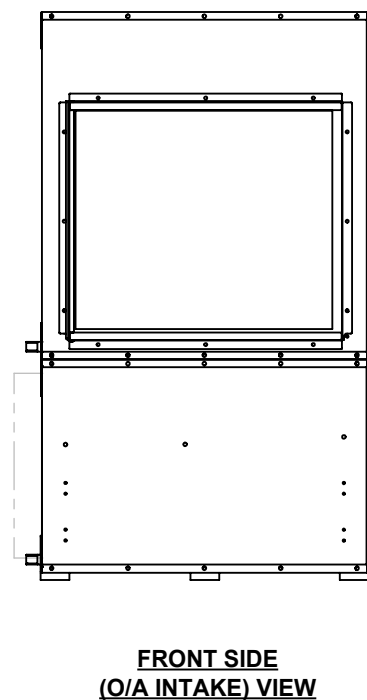
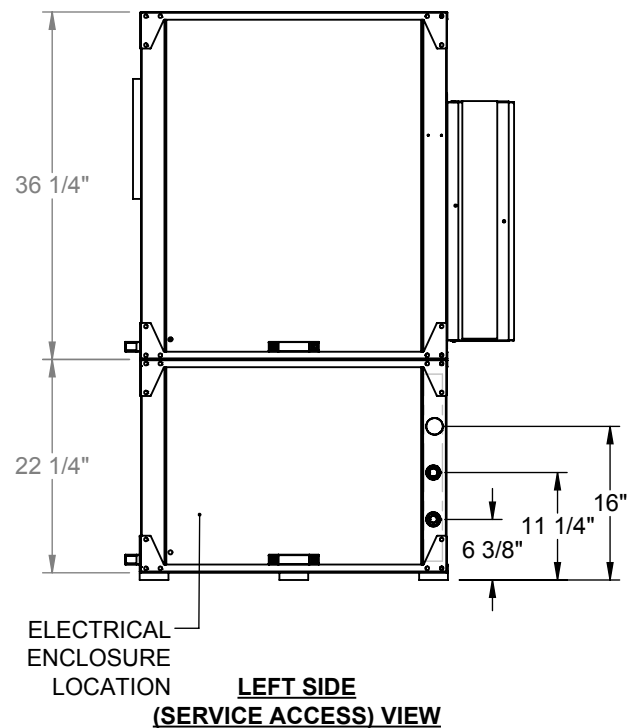
** MERV 13 FILTER QTY EQUALS 2

BLOWER MODEL	W	X	Y	Z
110-8	11 5/8"	10 3/4"	12 3/4"	6 7/8"
ATLI 7-7	12 3/8"	9 3/8"	8 7/16"	9"



3' SERVICE CLEARANCE REQUIRED

TONNAGE	CAB WEIGHT
4	709
5	735



REV.	DESCRIPTION	DATE	Initials	ECN #
10	REVISED BLOWER NAMES ON OPTIONS SHEET, REMOVED SHORTHAND	10/18/2017	EAC	10336
9	UPDATED GA FOR NEW MORRISON BLOWER SIZES	4/25/2017	EAC	10285
8	CHANGED DIMENSIONS TO FRACTIONS & UPDATED QV4-5 ELECTRICAL ENCLOSURE LOCATION	1/21/2015	ASV	2444
7	ADDED FITLER DATA & OPTIONS PAGE	5/29/2014	ASV	2346

WATER COOLED AND HEAT PUMP CONDENSER CONNECTIONS		OPTIONAL REMOTE CONDENSER CONNECTIONS		CONDENSATE DRAIN CONNECTION
INLET	OUTLET	DISCHARGE	LIQUID RETURN	OUTLET
1 3/8" O.D.	1 3/8" O.D.	7/8" O.D.	5/8" O.D.	1" I.D.

* APPROXIMATE DIMENSION

** ADD APPROXIMATELY 0.5 IN. FOR EXTERIOR PANEL FASTENERS

REVISIONS

This drawing and information contained herein are the exclusive property of the Desert Aire Corporation. Any use detrimental to the interests of Desert Aire is prohibited.

All Dimensions in Inches
All Angles 90°
All Outside Corners 0.094" Radius
Unless Otherwise Specified

Tolerance Unless Otherwise Specified
X.X ±.125
X.XX ±.060
X.XXX ±.030
Angles ±1°

All Hole Tolerances Defined by PS-0005

Material

Finish

Part Based On

Third Angle Projection

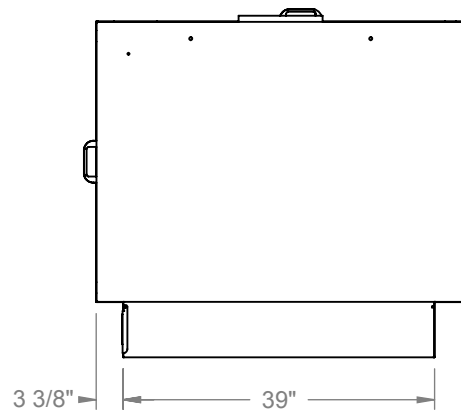
Part weight

Drawn: SK, Date Released: 9/12/2002, Description: GENERAL ARRANGEMENT QV 24

Sheet: 1 / 4, Page Title: 4-5 TON CABINET

Scale: 1:20, Rev: 10, Drawing Number: VerticalAire Horz AF, 4-15 Ton GA

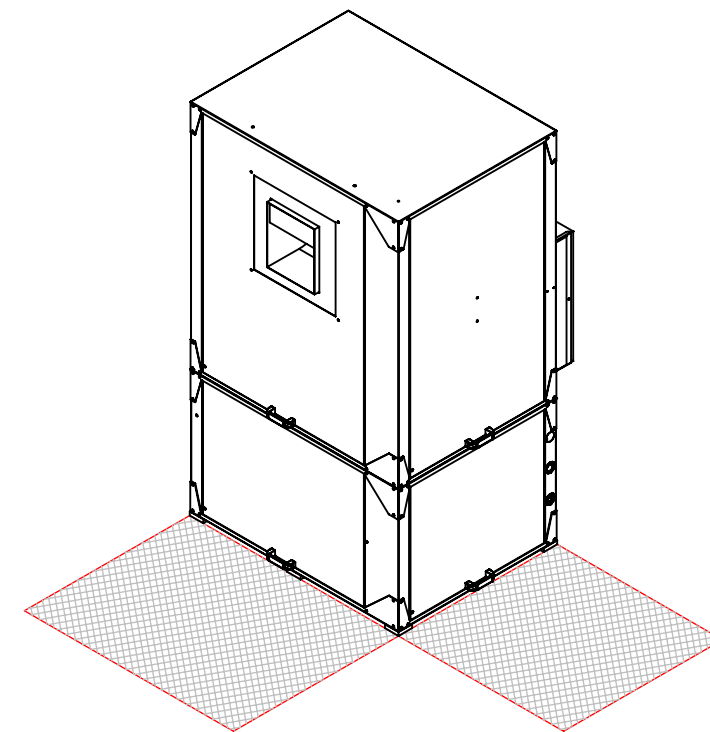
DESERT AIRE logo and address: N120 W18485 Freistadt Road, Germantown, WI 53022, Tel: (262) 946-7400, Fax: (262) 946-7401



TOP VIEW

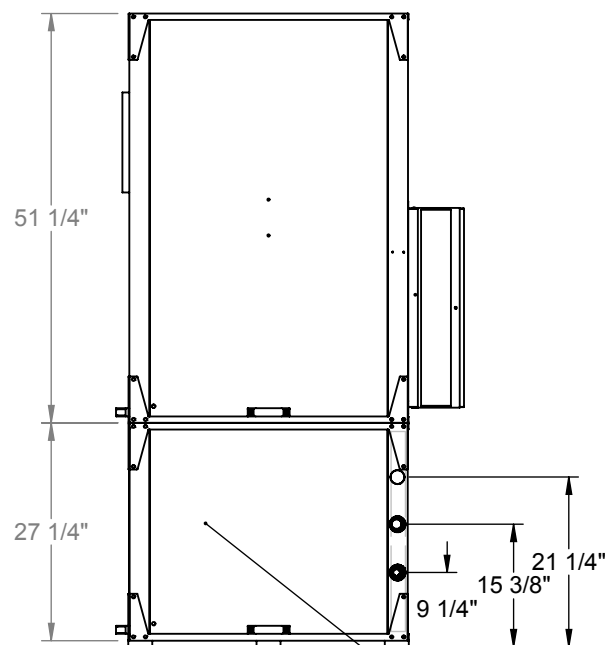
FILTER					
UNIT SIZE (TONNAGE)	4" MERV 11 PART NUMBER	4" MERV 13 PART NUMBER	NOM WIDTH	NOM HEIGHT	QTY
8-10	870-106	870-134	20	25	2

BLOWER MODEL	W	X	Y	Z
110-8	17 11/16"	10 3/4"	12 3/4"	9 3/4"
ATLI 10-7	18"	9 15/16"	11 5/8"	10 3/8"



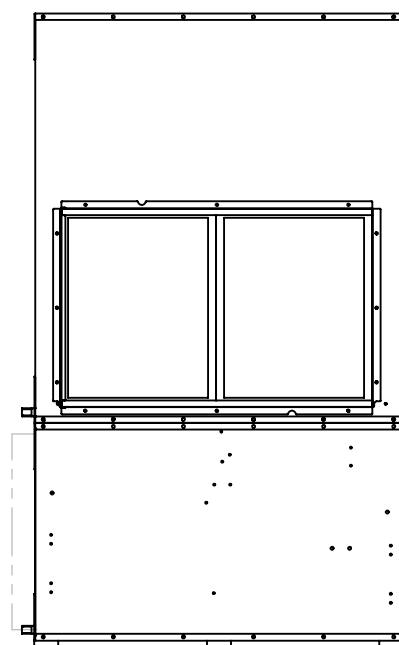
3' SERVICE CLEARANCE REQUIRED

TONNAGE	CAB WEIGHT
8	1050
10	1117

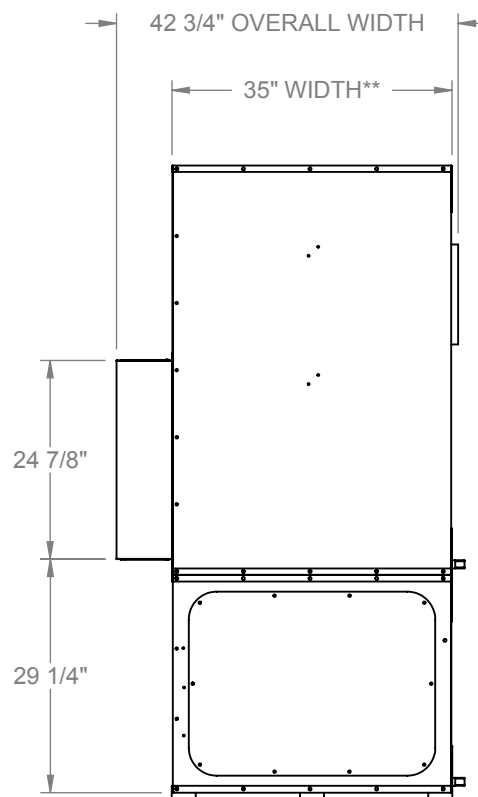


LEFT SIDE (SERVICE ACCESS) VIEW

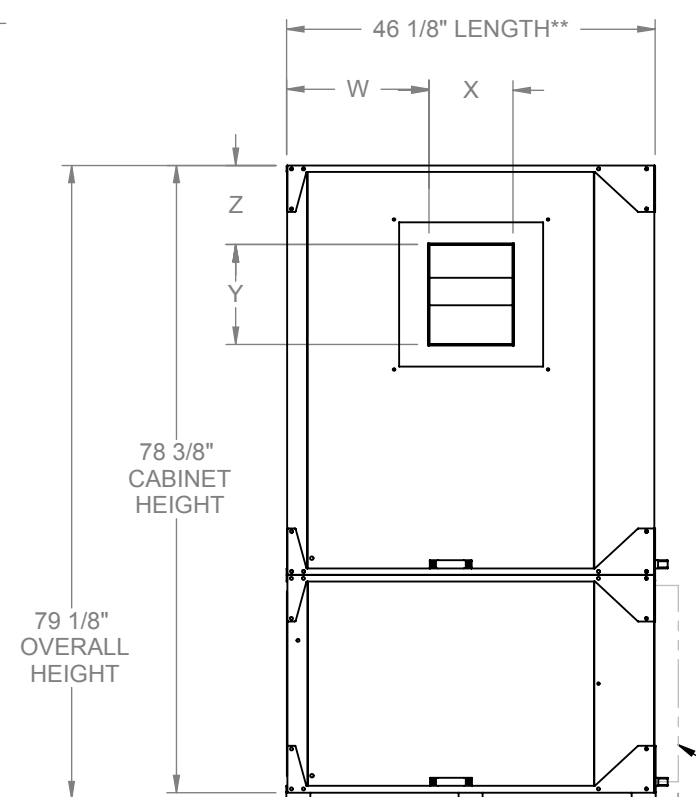
ELECTRICAL ENCLOSURE LOCATION



FRONT SIDE (O/A INTAKE) VIEW



RIGHT SIDE VIEW (NO ACCESS)



BACK SIDE (SERVICE ACCESS / DISCHARGE) VIEW

REMOTE CONDENSER OR WATER CONNECTIONS AND CONDENSATE STUB LOCATION

WATER COOLED AND HEAT PUMP CONDENSER CONNECTIONS		OPTIONAL REMOTE CONDENSER CONNECTIONS		CONDENSATE DRAIN CONNECTION
INLET	OUTLET	DISCHARGE	LIQUID RETURN	OUTLET
1 3/8" O.D.	1 3/8" O.D.	1 1/8" O.D.	5/8" O.D.	1" I.D.

This drawing and information contained herein are the exclusive property of the Desert Aire Corporation. Any use detrimental to the interests of Desert Aire is prohibited.

All Dimensions in Inches
All Angles 90°
All Outside Corners 0.094" Radius
Unless Otherwise Specified

Tolerance Unless Otherwise Specified
X.X ±.125
X.XX ±.060
X.XXX ±.030
Angles ±1°

All Hole Tolerances Defined by PS-0005

DESERT AIRE N120 W18485 Freistadt Road
Germantown, WI 53022
Tel: (262) 946-7400
Fax: (262) 946-7401

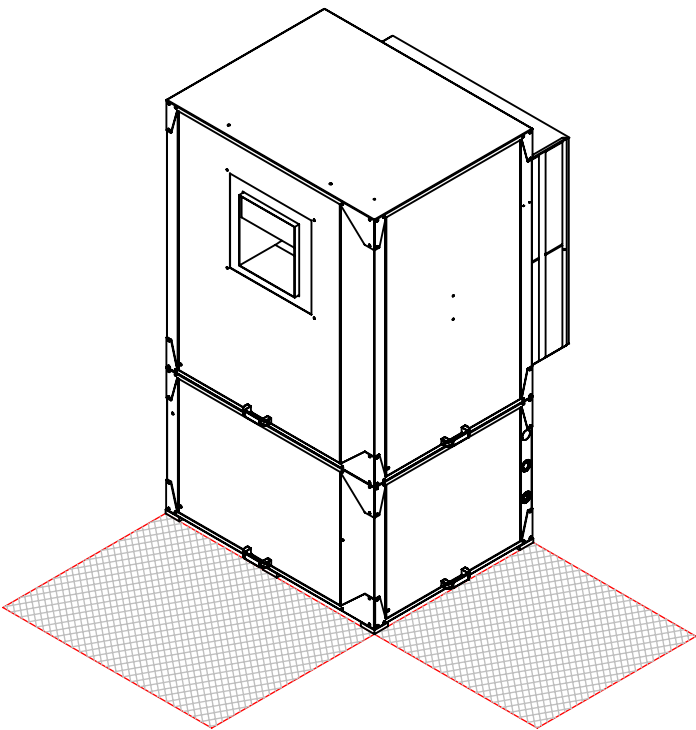
Material	Third Angle Projection	Drawn	Date Released	Description
Finish		DAH	5/13/2008	GENERAL ARRANGEMENT QV 36
Part Based On		Sheet	2 / 4	Page Title
	Part weight	Scale	1:24	Rev. 10 Drawing Number VerticalAire Horiz AF, 4-15 Ton GA

* APPROXIMATE DIMENSION

** ADD APPROXIMATELY 0.5 IN. FOR EXTERIOR PANEL FASTENERS

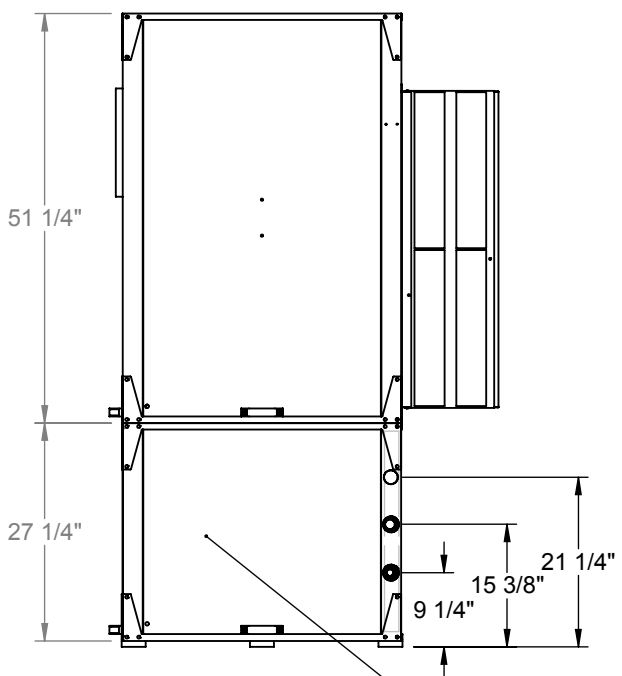
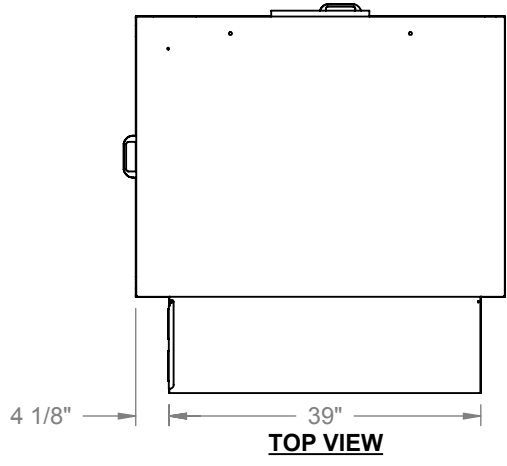
FILTER					
UNIT SIZE (TONNAGE)	4" MERV 11 PART NUMBER	4" MERV 13 PART NUMBER	NOM WIDTH	NOM HEIGHT	QTY
15	870-107	870-129	20	20	4

BLOWER MODEL	W	X	Y	Z
120-9	16 13/16"	12 1/2"	13 3/4"	9 1/4"
ATLI 10-7	18"	9 15/16"	11 5/8"	10 3/8"

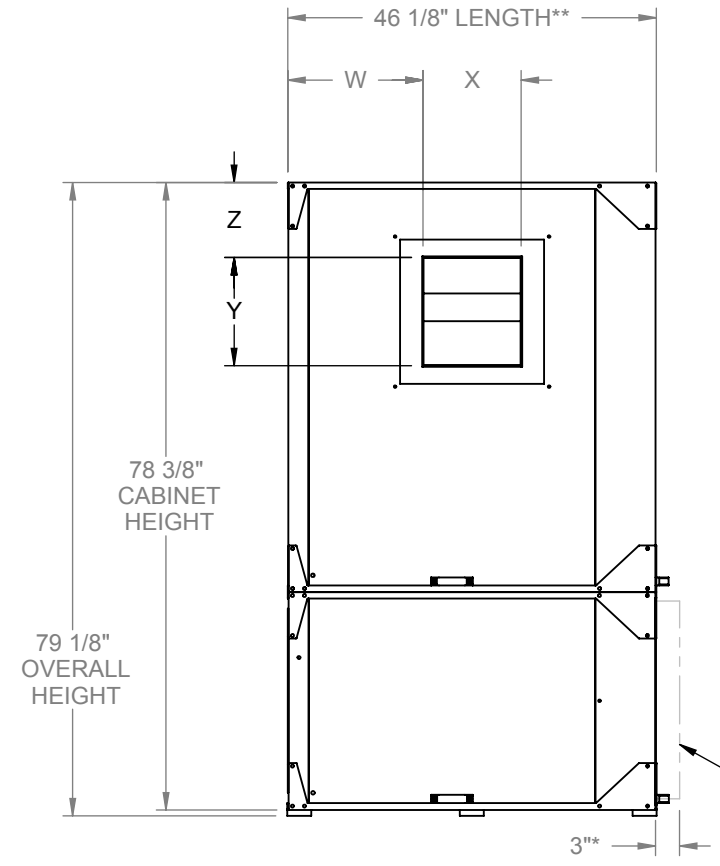
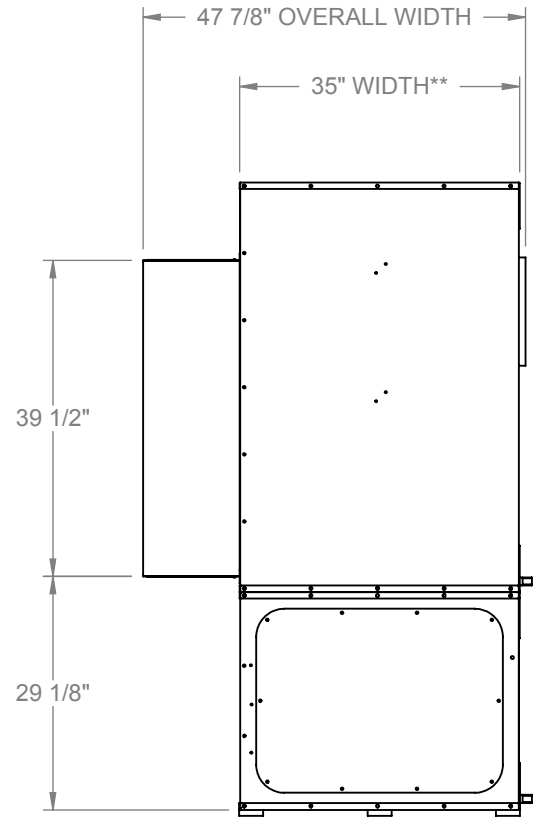
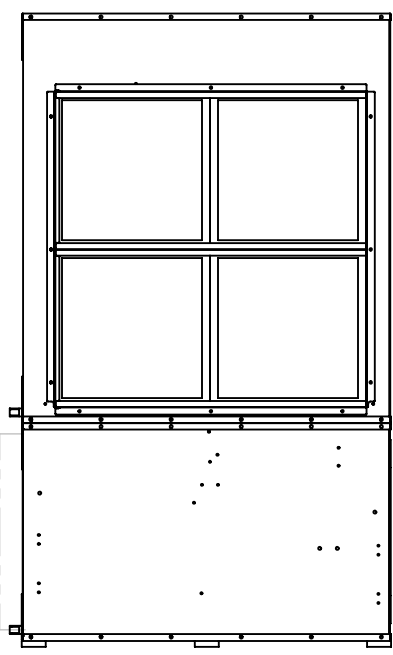


3' SERVICE CLEARANCE REQUIRED

TONNAGE	WEIGHT
15	1560



ELECTRICAL ENCLOSURE LOCATION



REMOTE CONDENSER OR WATER CONNECTIONS AND CONDENSATE STUB LOCATION

WATER COOLED AND HEAT PUMP CONDENSER CONNECTIONS		OPTIONAL REMOTE CONDENSER CONNECTIONS		CONDENSATE DRAIN CONNECTION
INLET	OUTLET	DISCHARGE	LIQUID RETURN	OUTLET
1 5/8" O.D.	1 5/8" O.D.	1 1/8" O.D.	7/8" O.D.	1" I.D.

* APPROXIMATE DIMENSION

** ADD APPROXIMATELY 0.5 IN. FOR EXTERIOR PANEL FASTENERS

This drawing and information contained herein are the exclusive property of the Desert Aire Corporation. Any use detrimental to the interests of Desert Aire is prohibited.

All Dimensions in Inches
All Angles 90°
All Outside Corners 0.094" Radius
Unless Otherwise Specified

Tolerance Unless Otherwise Specified
X.X ±.125
X.XX ±.060
X.XXX ±.030
Angles ±1°

All Hole Tolerances Defined by PS-0005

Material

Finish

Part Based On

Part weight

Third Angle Projection

Drawn: DAH, Date Released: 5/13/2008, Description: GENERAL ARRANGEMENT QV 36

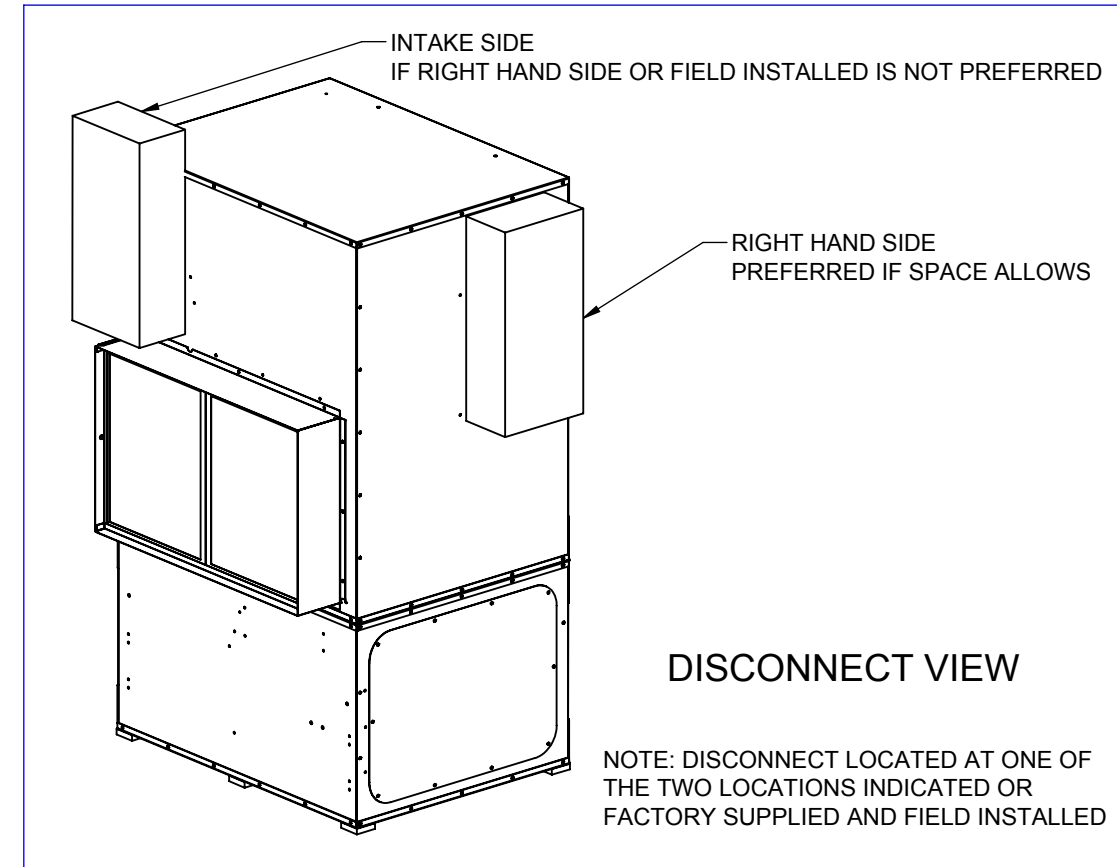
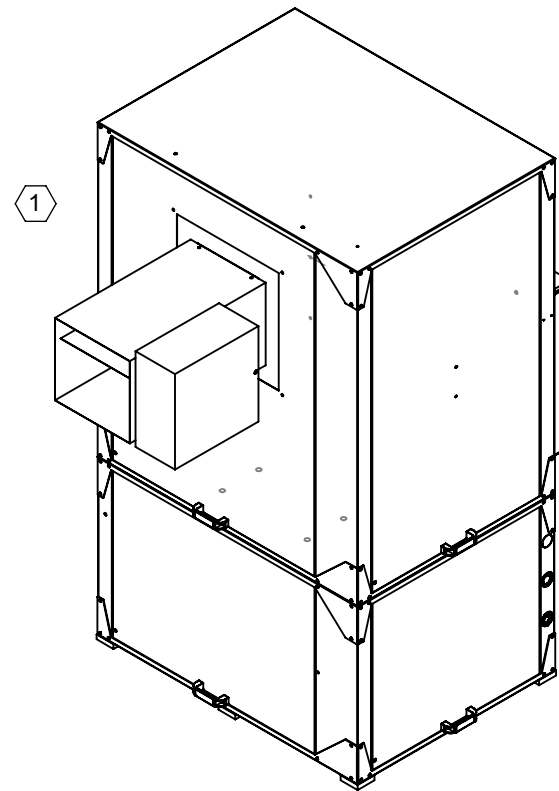
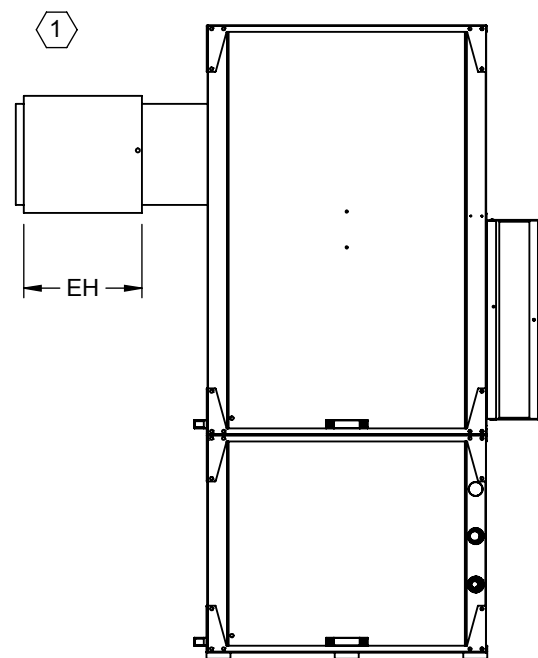
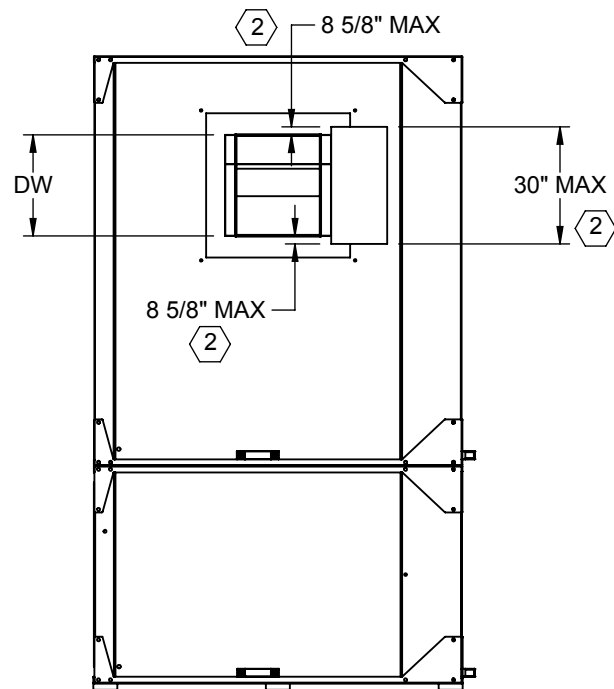
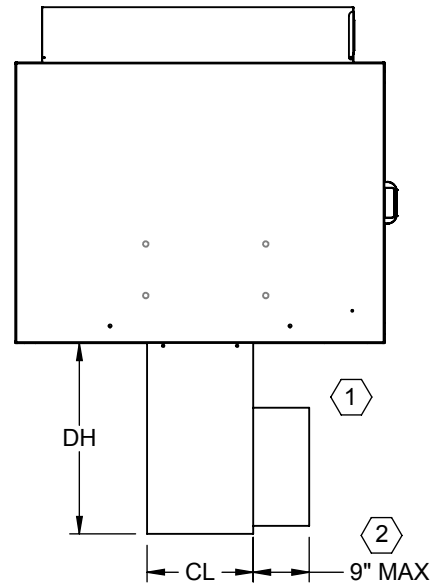
Sheet: 3 / 4, Page Title: 15 TON CABINET

Scale: 1:24, Rev: 10, Drawing Number: VerticalAire Horiz AF, 4-15 Ton GA

DESERT AIRE
N120 W18485 Freistadt Road
Germantown, WI 53022
Tel: (262) 946-7400
Fax: (262) 946-7401

APPLICABLE UNIT SIZE	HEATER FRAME / BLOWER SIZE	MAX KW / SUPPLY VOLTAGE																		DUCT HEATER DIMENSIONS								
		240/1/60			240/3/60			480/3/60			600/3/60			208/1/60			208/3/60			CL	DH			DW	EH			
		S	M	L	S	M	L	S	M	L	S	M	L	S	M	L	S	M	L		S	M	L					
QV04	F (110x8 BLOWER)	30			37			42			40			26			32			10.63	24.00			12.75	22.00			
QV04	J (ATLI 7-7 BLOWER)	16			15			18			20			15			16			9.26	15.00			8.44	13.00			
QV05	F (110x8 BLOWER)	30			37			42			40			26			32			10.63	24.00			12.75	22.00			
QV05	J (ATLI 7-7 BLOWER)	16		30	15		35	18		35	20		32	15		31	16		31	9.26	15.00		22.00	8.44	13.00		20.00	
QV08	G (110x8 BLOWER)	30			37			42			40			26			32			10.63	24.00			12.75	22.00			
QV08	K (ATLI 10-7 BLOWER)	16	30	37	15	35	50	18	35	60	20	32	55	15	31	35	16	31	48	9.82	15.00	22.00	34.00	11.61	13.00	20.00	32.00	
QV10	G (110x8 BLOWER)	17	30	40	18	37	55	22	42	70	23	40	62	15	26	37	19	32	50	10.63	15.00	22.00	34.00	12.75	13.00	20.00	32.00	
QV10	K (ATLI 10-7 BLOWER)	16	30	37	15	35	50	18	35	60	20	32	55	15	31	35	16	31	48	9.82	15.00	22.00	34.00	11.61	13.00	20.00	32.00	
QV15	H (120x9 BLOWER)	20	32	45	25	50	60	26	50	74	26	46	66	20	28	39	22	45	54	12.38	15.00	22.00	34.00	13.66	13.00	20.00	32.00	
QV15	K (ATLI 10-7 BLOWER)	30			35			35			37			28			32			9.82	17.00			11.61	15.00			

- ① HEATER IS FACTORY SUPPLIED ACCESSORY FIELD INSTALLED
- ② MAX DIMENSIONS MAY BE SMALLER FOR SMALLER KW HEATERS



This drawing and information contained herein are the exclusive property of the Desert Aire Corporation. Any use detrimental to the interests of Desert Aire is prohibited.

All Dimensions in Inches
All Angles 90°
All Outside Corners 0.094" Radius
Unless Otherwise Specified

Tolerance Unless Otherwise Specified
X.X ±.125
X.XX ±.060
X.XXX ±.030
Angles ±1°

All Hole Tolerances Defined by PS-0005

Material

Finish

Part Based On

Part weight

Third Angle Projection

Drawn: DAH, Date Released: 5/13/2008, Description: GENERAL ARRANGEMENT QV 36

Sheet: 4 / 4, Page Title: OPTIONS

Scale: 1:24, Rev: 10, Drawing Number: VerticalAire Horz AF, 4-15 Ton GA

DESERT AIRE
N120 W18485 Freistadt Road
Germantown, WI 53022
Tel: (262) 946-7400
Fax: (262) 946-7401