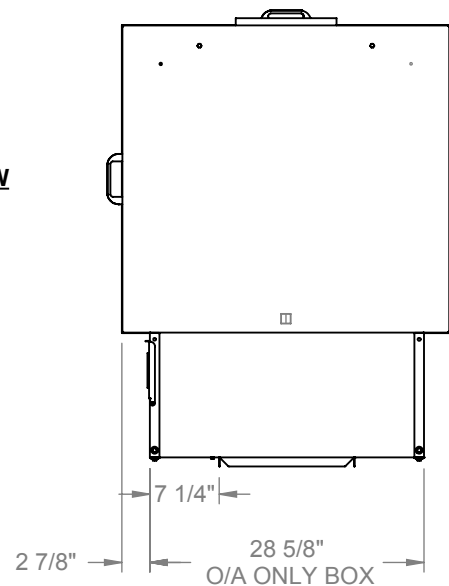


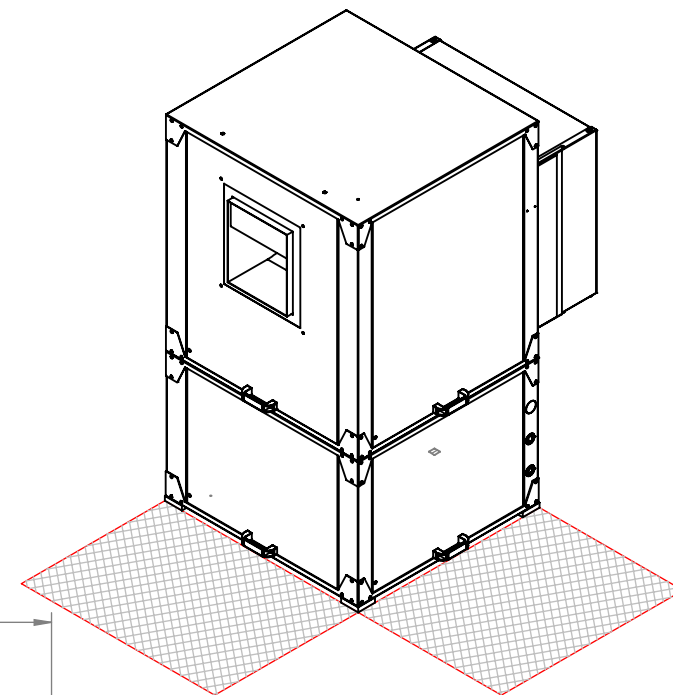
**DISCHARGE VIEW**



FILTER					
UNIT SIZE (TONNAGE)	4" MERV 11 PART NUMBER	4" MERV 13 PART NUMBER	NOM WIDTH	NOM HEIGHT	QTY
4-5	870-136	** 870-135	25	29	**1

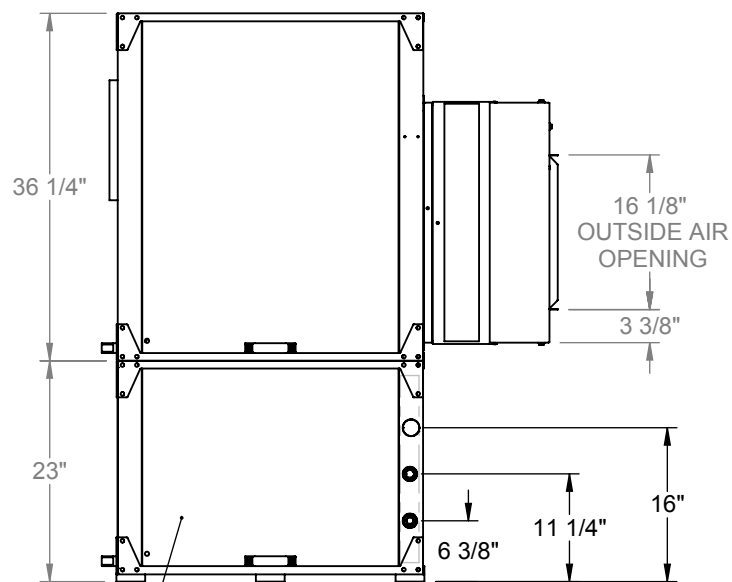
\*\* MERV 13 FILTER QTY EQUALS 2

BLOWER MODEL	W	X	Y	Z
110-8	11 5/8"	10 3/4"	12 3/4"	6 7/8"
ATLI 7-7	12 3/8"	9 3/8"	8 7/16"	9"

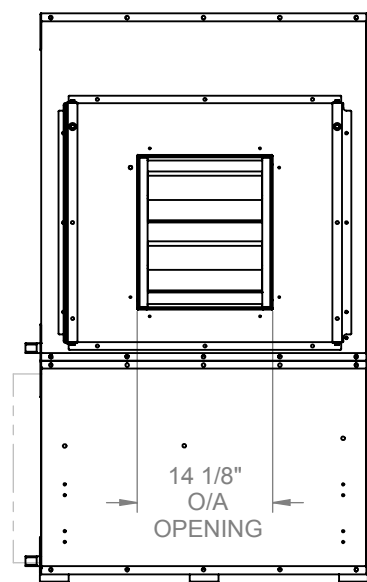


**3' SERVICE CLEARANCE REQUIRED**

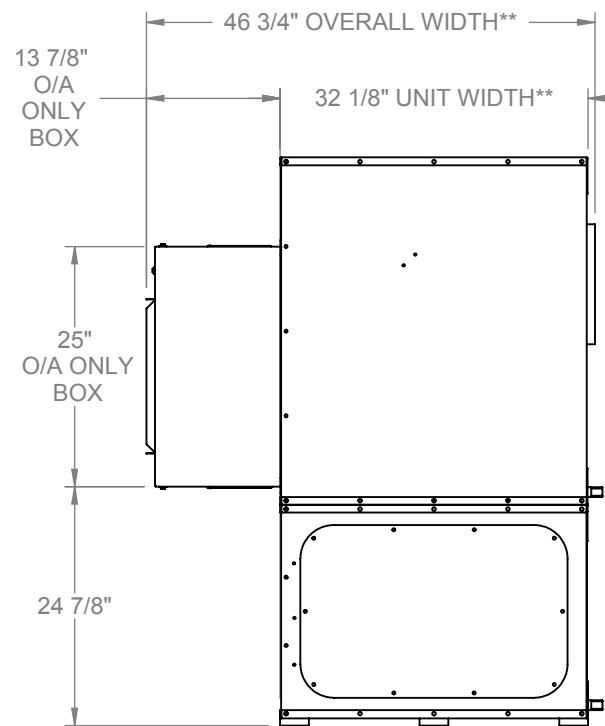
TONNAGE	CAB WEIGHT
4	709
5	735



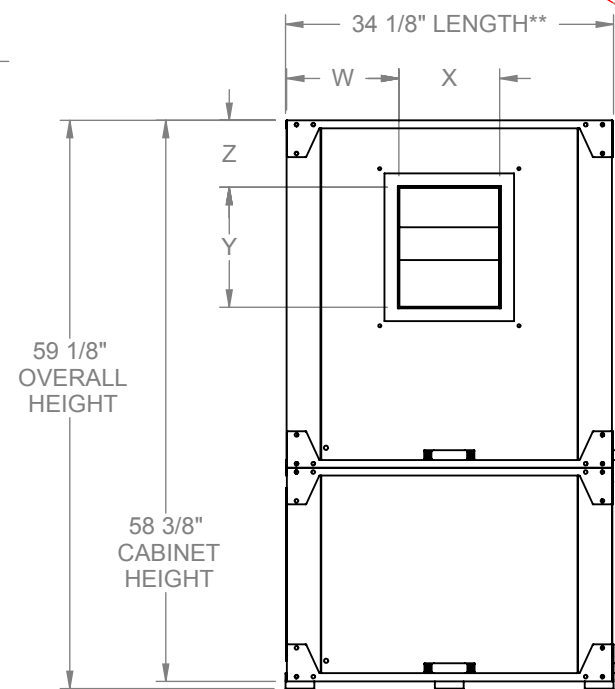
**LEFT SIDE (SERVICE ACCESS) VIEW**  
ELECTRICAL ENCLOSURE LOCATION



**FRONT SIDE (O/A INTAKE) VIEW**



**RIGHT SIDE VIEW (NO ACCESS)**



**BACK SIDE (SERVICE ACCESS) VIEW**

REMOTE CONDENSER OR WATER CONNECTIONS AND CONDENSATE STUB LOCATION

REV.	DESCRIPTION	DATE	Initials	ECN #
11	REVISED BLOWER NAMES ON OPTIONS SHEET, REMOVED SHORTHAND	10/18/2017	EAC	10336
10	UPDATED GA FOR NEW MORRISON BLOWER SIZES	4/26/2017	EAC	10285
9	UPDATED DAMPER SIZES AND LOCATIONS	9/27/2016	ASV	EC-10149

REVISIONS

This drawing and information contained herein are the exclusive property of the Desert Aire Corporation. Any use detrimental to the interests of Desert Aire is prohibited.	All Dimensions in Inches All Angles 90° All Outside Corners 0.094" Radius Unless Otherwise Specified	Tolerance Unless Otherwise Specified X.X ±.125 X.XX ±.060 X.XXX ±.030 Angles ±1°  All Hole Tolerances Defined by PS-0005	N120 W18485 Freistadt Road Germantown, WI 53022 Tel: (262) 946-7400 Fax: (262) 946-7401	
			Drawn: DAH Date Released: 5/13/2008	Description: GENERAL ARRANGEMENT QV 24
Material:	Third Angle Projection	Sheet: 1 / 4		
Finish:		Scale: 1:20	Rev: 11	Page Title: 4-5 TON CABINET Drawing Number: VerticalAire Horiz AF, OA Box 4-15 GA
Part Based On:	Part weight:			

WATER COOLED AND HEAT PUMP CONDENSER CONNECTIONS		OPTIONAL REMOTE CONDENSER CONNECTIONS		CONDENSATE DRAIN CONNECTION
INLET	OUTLET	DISCHARGE	LIQUID RETURN	OUTLET
1 3/8" O.D.	1 3/8" O.D.	7/8" O.D.	5/8" O.D.	1" I.D.

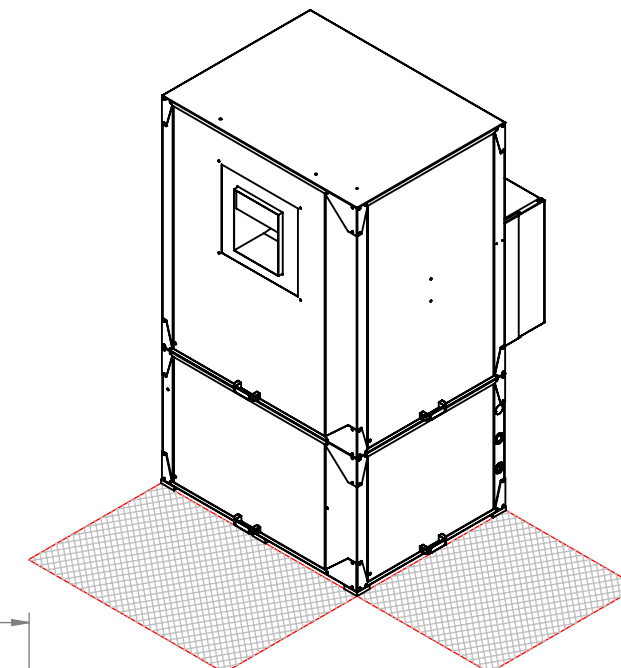
\* APPROXIMATE DIMENSION

\*\* ADD APPROXIMATELY 0.5 IN. FOR EXTERIOR PANEL FASTENERS

**FILTER**

UNIT SIZE (TONNAGE)	4" MERV 11 PART NUMBER	4" MERV 13 PART NUMBER	NOM WIDTH	NOM HEIGHT	QTY
8-10	870-106	870-134	20	25	2

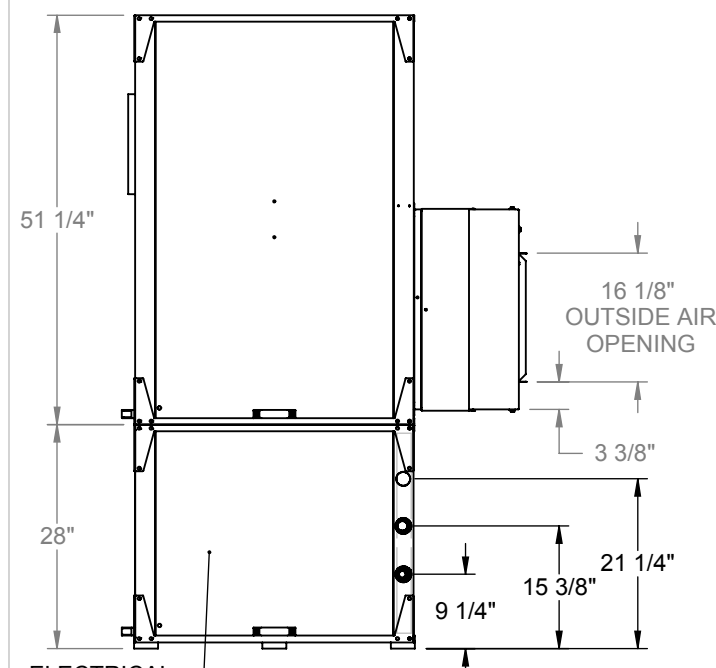
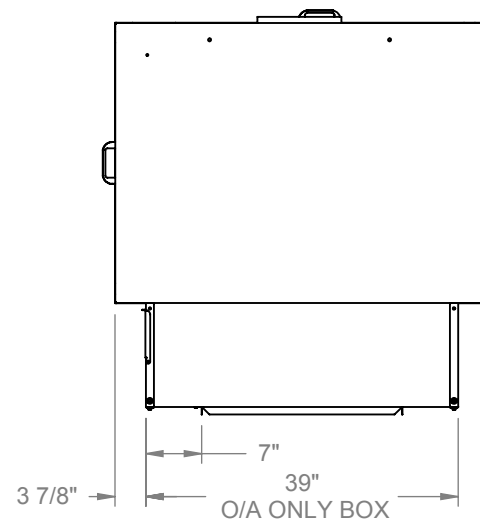
BLOWER MODEL	W	X	Y	Z
110-8	17 11/16"	10 3/4"	12 3/4"	9 3/4"
ATLI 10-7	18"	9 15/16"	11 5/8"	10 3/8"



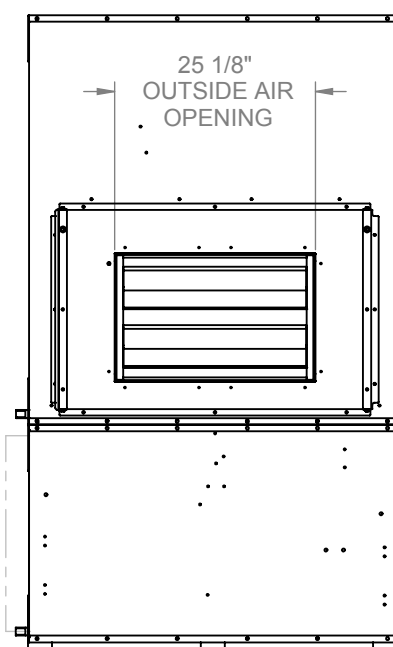
**3' SERVICE CLEARANCE REQUIRED**

TONNAGE	CAB WEIGHT
8	1050
10	1117

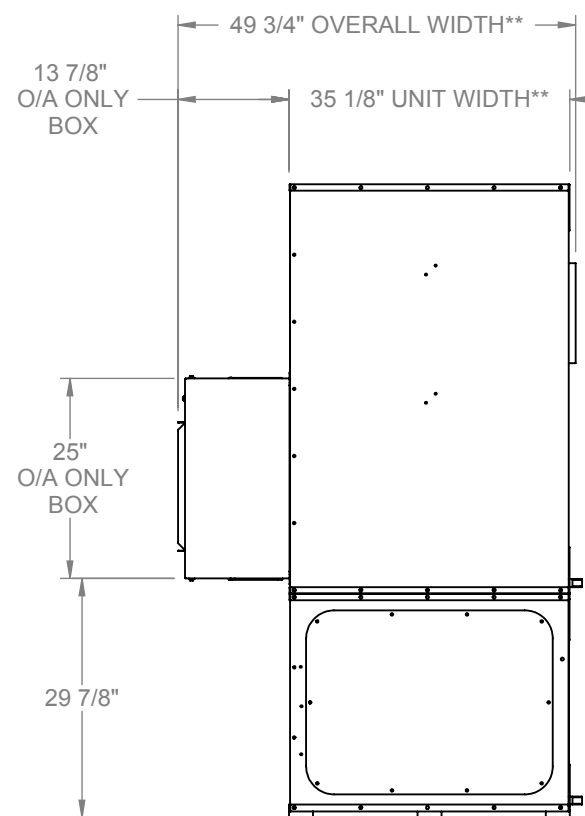
**DISCHARGE VIEW**



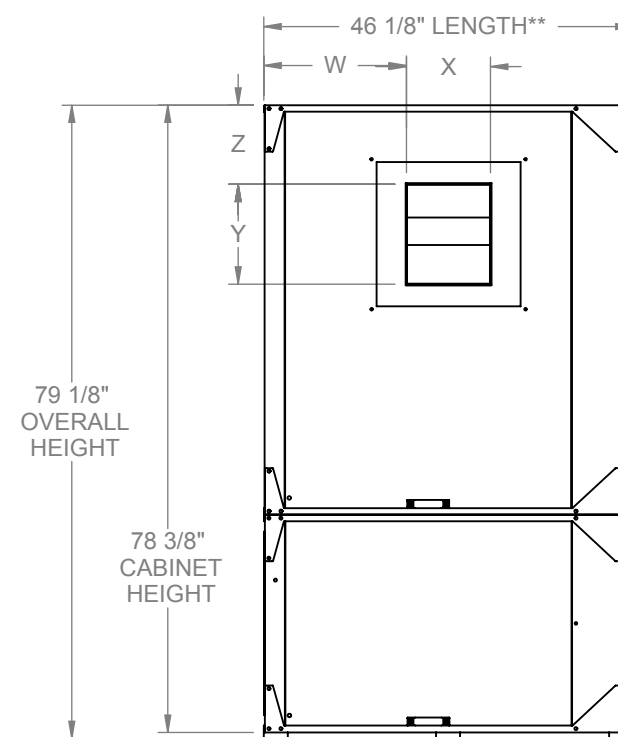
**LEFT SIDE (SERVICE ACCESS) VIEW**  
ELECTRICAL ENCLOSURE LOCATION



**FRONT SIDE (O/A INTAKE) VIEW**



**RIGHT SIDE VIEW (NO ACCESS)**



**BACK SIDE (SERVICE ACCESS) VIEW**

REMOTE CONDENSER OR WATER CONNECTIONS AND CONDENSATE STUB LOCATION

WATER COOLED AND HEAT PUMP CONDENSER CONNECTIONS		OPTIONAL REMOTE CONDENSER CONNECTIONS		CONDENSATE DRAIN CONNECTION
INLET	OUTLET	DISCHARGE	LIQUID RETURN	OUTLET
1 3/8" O.D.	1 3/8" O.D.	1 1/8" O.D.	5/8" O.D.	1" I.D.

This drawing and information contained herein are the exclusive property of the Desert Aire Corporation. Any use detrimental to the interests of Desert Aire is prohibited.	All Dimensions in Inches All Angles 90° All Outside Corners 0.094" Radius Unless Otherwise Specified	Tolerance Unless Otherwise Specified X.X ±.125 X.XX ±.060 X.XXX ±.030 Angles ±1°  All Hole Tolerances Defined by PS-0005	N120 W18485 Freistadt Road Germantown, WI 53022 Tel: (262) 946-7400 Fax: (262) 946-7401
Material:	Third Angle Projection	Sheet: <b>2 / 4</b>	Page Title: <b>8-10 TON CABINET</b>
Finish:		Scale: <b>1:24</b>	Rev: <b>11</b> Drawing Number: <b>VerticalAire Horiz AF, OA Box 4-15 GA</b>
Part Based On:	Part weight:		

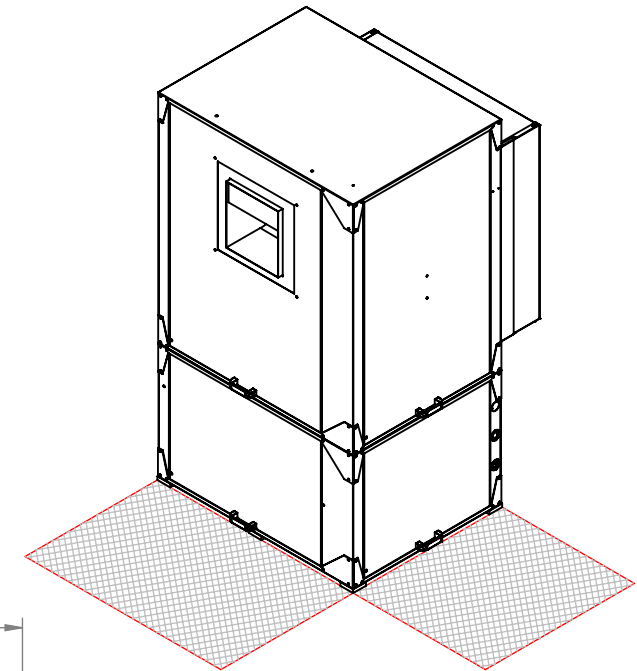
\* APPROXIMATE DIMENSION

\*\* ADD APPROXIMATELY 0.5 IN. FOR EXTERIOR PANEL FASTENERS

**FILTER**

UNIT SIZE (TONNAGE)	4" MERV 11 PART NUMBER	4" MERV 13 PART NUMBER	NOM WIDTH	NOM HEIGHT	QTY
15	870-107	870-129	20	20	4

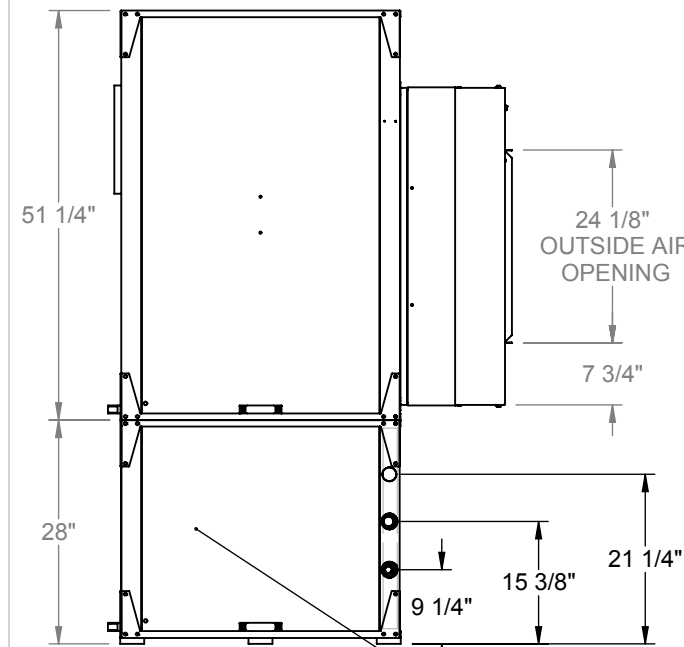
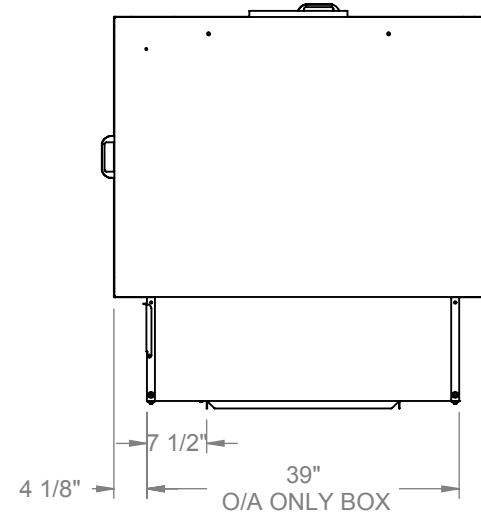
BLOWER MODEL	W	X	Y	Z
120-9	16 13/16"	12 1/2"	13 3/4"	9 1/4"
ATLI 10-7	18"	9 15/16"	11 5/8"	10 3/8"



**3' SERVICE CLEARANCE REQUIRED**

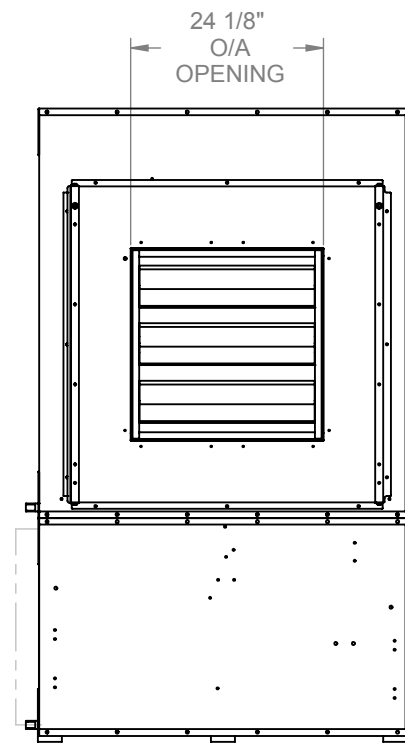
TONNAGE	WEIGHT
15	1560

**DISCHARGE VIEW**

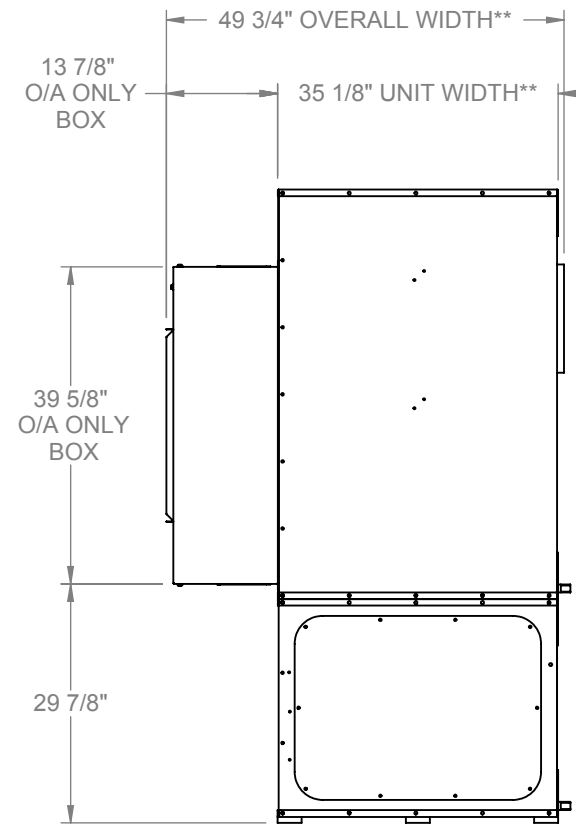


**LEFT SIDE (SERVICE ACCESS) VIEW**

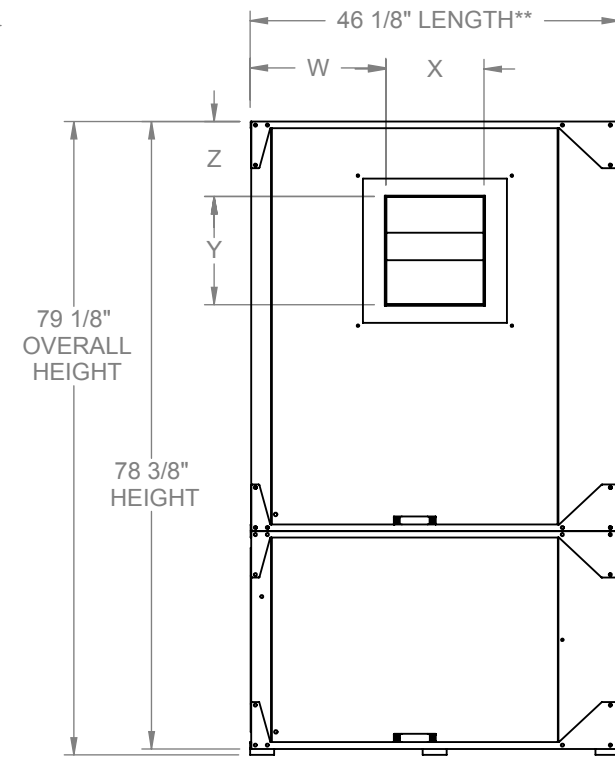
ELECTRICAL ENCLOSURE LOCATION



**FRONT SIDE (O/A INTAKE) VIEW**



**RIGHT SIDE VIEW (NO ACCESS)**



**BACK SIDE (SERVICE ACCESS) VIEW**

REMOTE CONDENSER OR WATER CONNECTIONS AND CONDENSATE STUB LOCATION

WATER COOLED AND HEAT PUMP CONDENSER CONNECTIONS		OPTIONAL REMOTE CONDENSER CONNECTIONS		CONDENSATE DRAIN CONNECTION
INLET	OUTLET	DISCHARGE	LIQUID RETURN	OUTLET
1 5/8" O.D.	1 5/8" O.D.	1 1/8" O.D.	7/8" O.D.	1" I.D.

This drawing and information contained herein are the exclusive property of the Desert Aire Corporation. Any use detrimental to the interests of Desert Aire is prohibited.

All Dimensions in Inches  
All Angles 90°  
All Outside Corners 0.094" Radius  
Unless Otherwise Specified

Tolerance Unless Otherwise Specified  
X.X ±.125  
X.XX ±.060  
X.XXX ±.030  
Angles ±1°

All Hole Tolerances Defined by PS-0005

**DESERT AIRE** N120 W18485 Freistadt Road  
Germantown, WI 53022  
Tel: (262) 946-7400  
Fax: (262) 946-7401

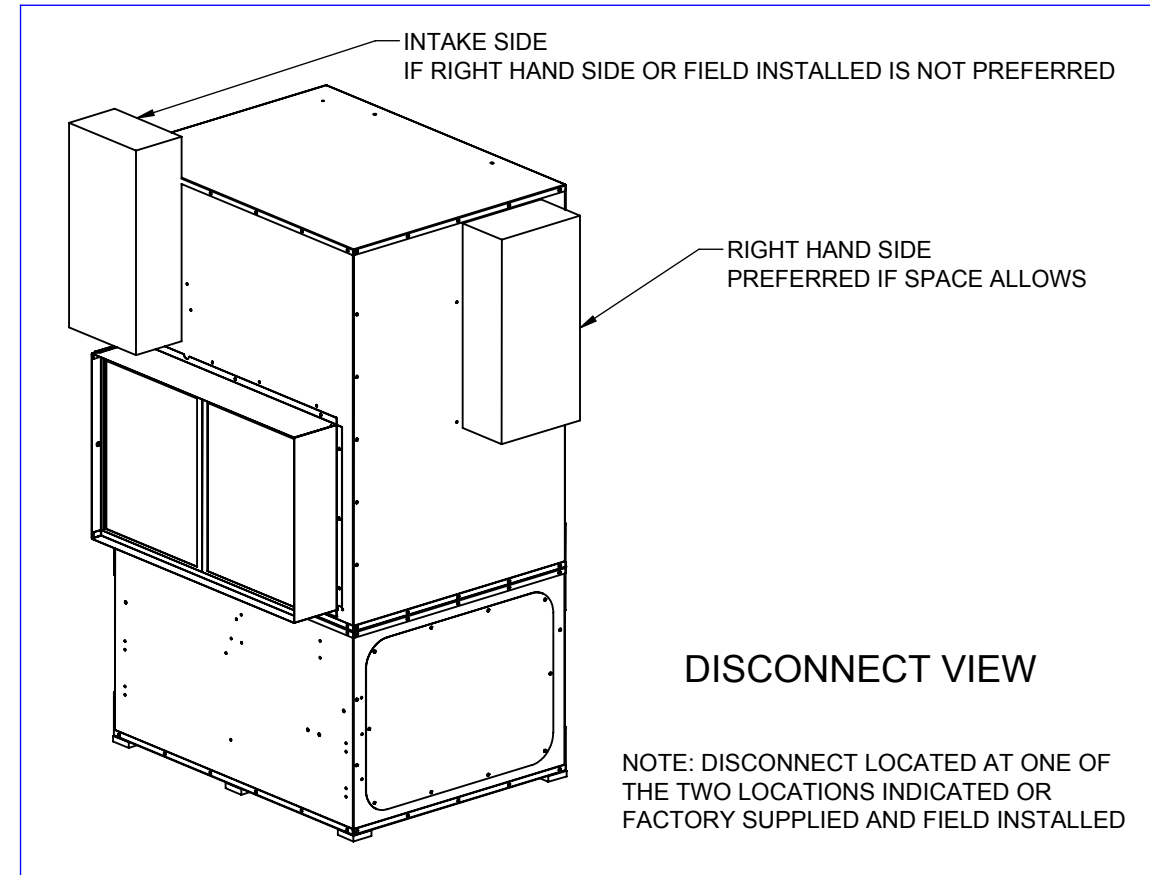
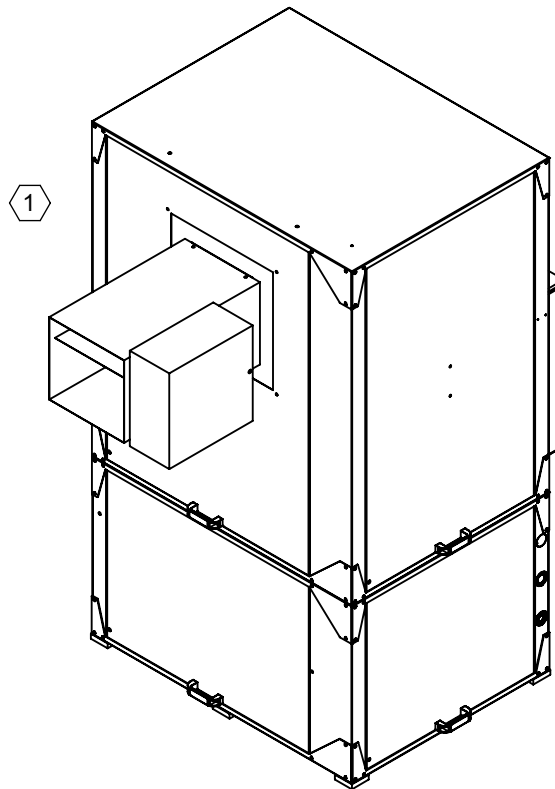
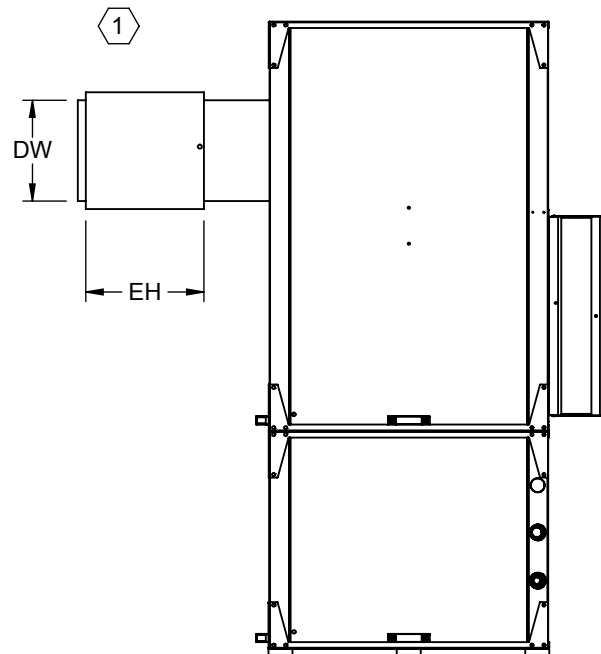
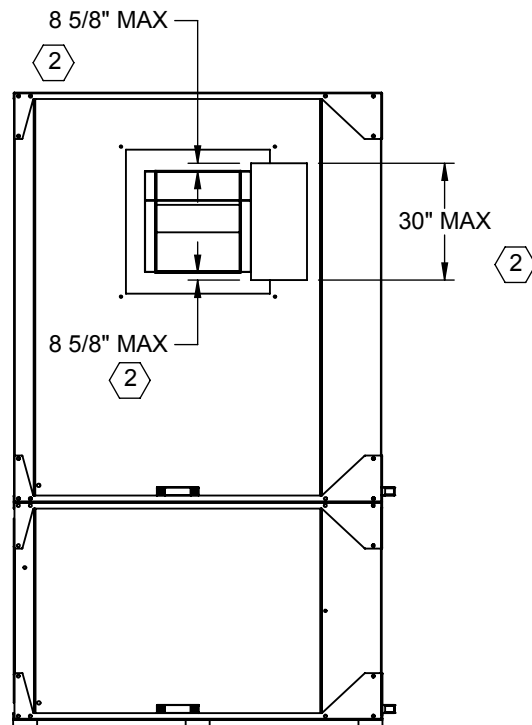
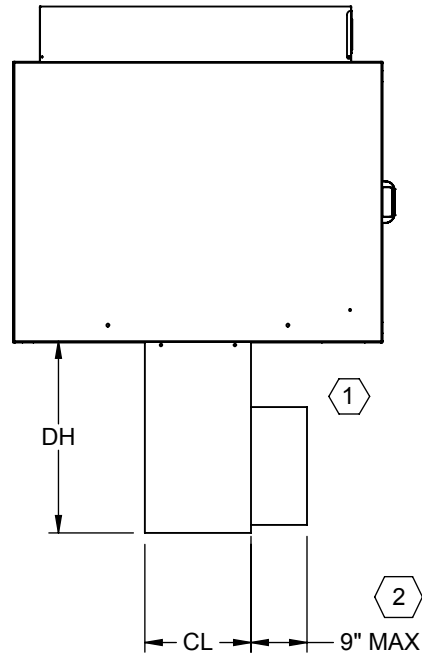
Material	Third Angle Projection	Drawn	Date Released	Description
Finish		DAH	5/13/2008	GENERAL ARRANGEMENT QV 36
Part Based On		Sheet	3 / 4	Page Title
	Part weight	Scale	1:24	Rev. 11 Drawing Number VerticalAire Horiz AF, OA Box 4-15 GA

\* APPROXIMATE DIMENSION

\*\* ADD APPROXIMATELY 0.5 IN. FOR EXTERIOR PANEL FASTENERS

APPLICABLE UNIT SIZE	HEATER FRAME / BLOWER SIZE	MAX KW / SUPPLY VOLTAGE																		DUCT HEATER DIMENSIONS								
		240/1/60			240/3/60			480/3/60			600/3/60			208/1/60			208/3/60			CL	DH			DW	EH			
		S	M	L	S	M	L	S	M	L	S	M	L	S	M	L	S	M	L		S	M	L					
QV04	F (110x8 BLOWER)	30			37			42			40			26			32			10.63	24.00			12.75	22.00			
QV04	J (ATLI 7-7 BLOWER)	16			15			18			20			15			16			9.26	15.00			8.44	13.00			
QV05	F (110x8 BLOWER)	30			37			42			40			26			32			10.63	24.00			12.75	22.00			
QV05	J (ATLI 7-7 BLOWER)	16		30	15		35	18		35	20		32	15		31	16		31	9.26	15.00		22.00	8.44	13.00		20.00	
QV08	G (110x8 BLOWER)	30			37			42			40			26			32			10.63	24.00			12.75	22.00			
QV08	K (ATLI 10-7 BLOWER)	16	30	37	15	35	50	18	35	60	20	32	55	15	31	35	16	31	48	9.82	15.00	22.00	34.00	11.61	13.00	20.00	32.00	
QV10	G (110x8 BLOWER)	17	30	40	18	37	55	22	42	70	23	40	62	15	26	37	19	32	50	10.63	15.00	22.00	34.00	12.75	13.00	20.00	32.00	
QV10	K (ATLI 10-7 BLOWER)	16	30	37	15	35	50	18	35	60	20	32	55	15	31	35	16	31	48	9.82	15.00	22.00	34.00	11.61	13.00	20.00	32.00	
QV15	H (120x9 BLOWER)	20	32	45	25	50	60	26	50	74	26	46	66	20	28	39	22	45	54	12.38	15.00	22.00	34.00	13.66	13.00	20.00	32.00	
QV15	K (ATLI 10-7 BLOWER)	30			35			35			37			28			32			9.82	17.00			11.61	15.00			

- ① HEATER IS FACTORY SUPPLIED ACCESSORY FIELD INSTALLED
- ② MAX DIMENSIONS MAY BE SMALLER FOR SMALLER KW HEATERS



This drawing and information contained herein are the exclusive property of the Desert Aire Corporation. Any use detrimental to the interests of Desert Aire is prohibited.

All Dimensions in Inches  
All Angles 90°  
All Outside Corners 0.094" Radius  
Unless Otherwise Specified

Tolerance Unless Otherwise Specified  
X.X ±.125  
X.XX ±.060  
X.XXX ±.030  
Angles ±1°  
All Hole Tolerances Defined by PS-0005

**DESERT AIRE**  
N120 W18485 Freistadt Road  
Germantown, WI 53022  
Tel: (262) 946-7400  
Fax: (262) 946-7401

Material	
Finish	
Part Based On	

<p>Third Angle Projection</p>	
Part weight	

Drawn	Date Released	Description
DAH	5/13/2008	GENERAL ARRANGEMENT QV 36
Sheet	Page Title	
4 / 4	OPTIONS	
Scale	Rev.	Drawing Number
1:24	11	VerticalAire Horiz AF, OA Box 4-15 GA