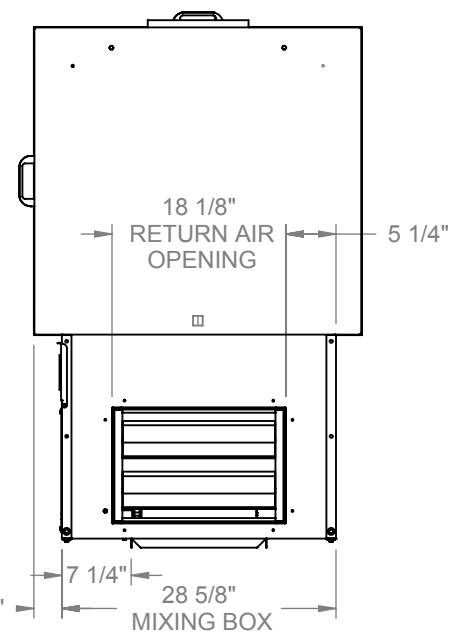


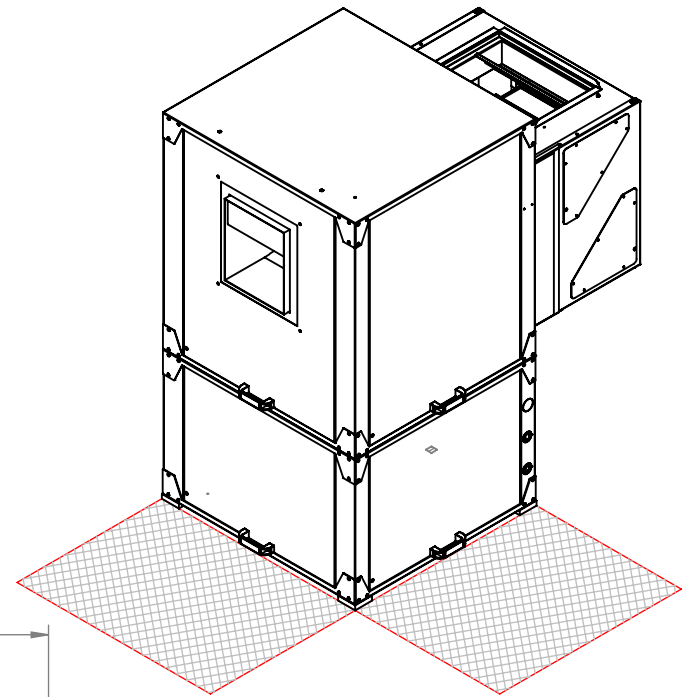
DISCHARGE VIEW



FILTER					
UNIT SIZE (TONNAGE)	4" MERV 11 PART NUMBER	4" MERV 13 PART NUMBER	NOM WIDTH	NOM HEIGHT	QTY
4-5	870-136	** 870-135	25	29	**1

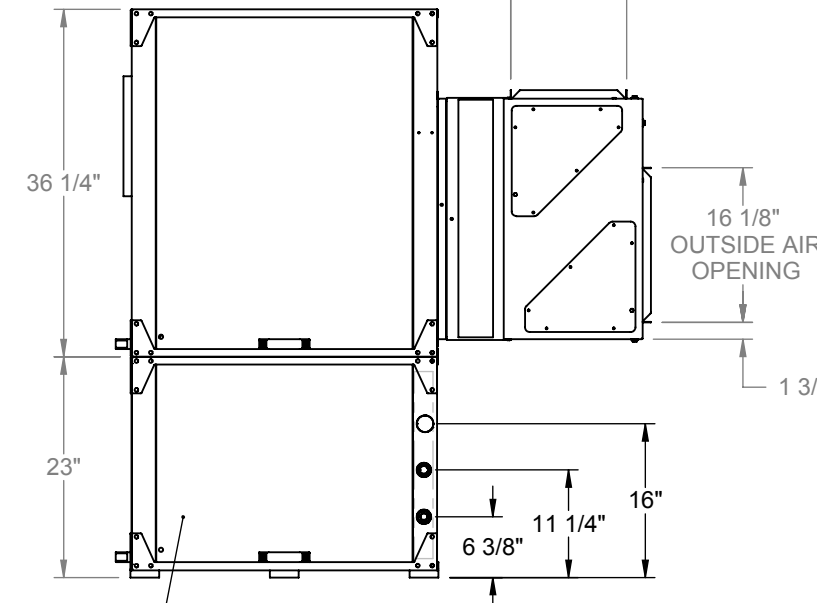
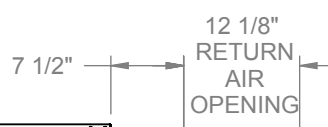
** MERV 13 FILTER QTY EQUALS 2

BLOWER MODEL	W	X	Y	Z
110-8	11 5/8"	10 3/4"	12 3/4"	6 7/8"
ATLI 7-7	12 3/8"	9 3/8"	8 7/16"	9"

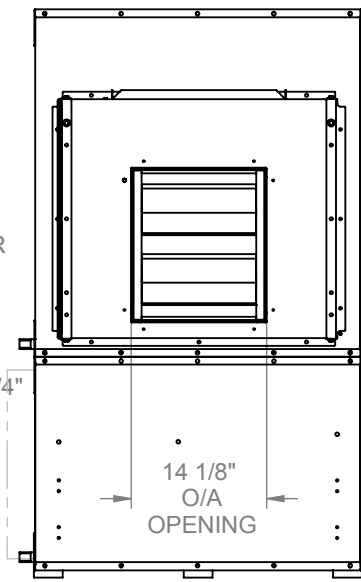


3' SERVICE CLEARANCE REQUIRED

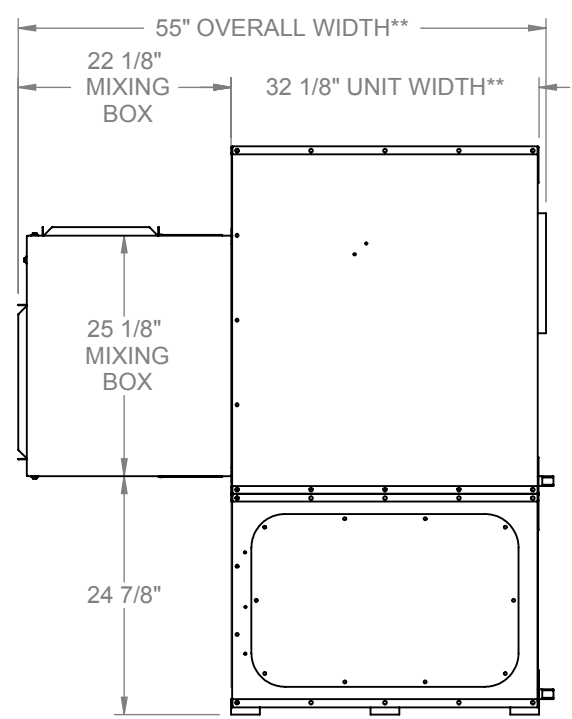
TONNAGE	CAB WEIGHT
4	709
5	735



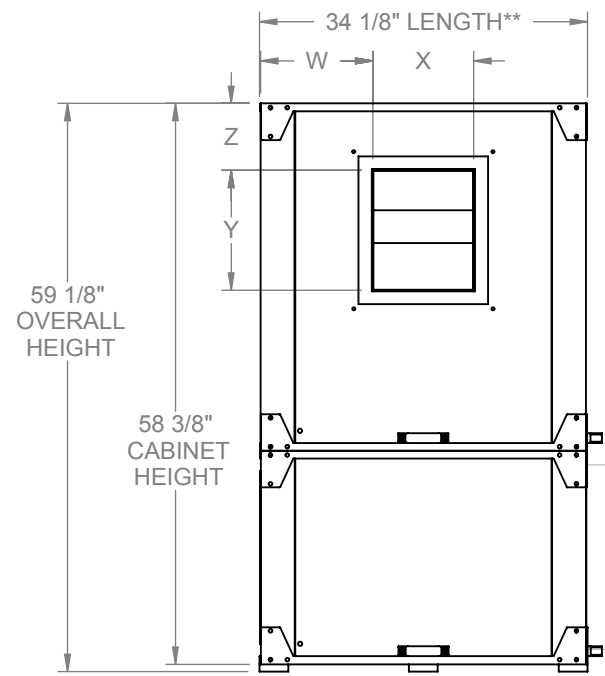
LEFT SIDE (SERVICE ACCESS) VIEW
ELECTRICAL ENCLOSURE LOCATION



FRONT SIDE (O/A INTAKE) VIEW



RIGHT SIDE VIEW (NO ACCESS)



BACK SIDE (SERVICE ACCESS) VIEW

REMOTE CONDENSER OR WATER CONNECTIONS AND CONDENSATE STUB LOCATION

WATER COOLED AND HEAT PUMP CONDENSER CONNECTIONS		OPTIONAL REMOTE CONDENSER CONNECTIONS		CONDENSATE DRAIN CONNECTION
INLET	OUTLET	DISCHARGE	LIQUID RETURN	OUTLET
1 3/8" O.D.	1 3/8" O.D.	7/8" O.D.	5/8" O.D.	1" I.D.

REV.	DESCRIPTION	DATE	Initials	ECN #
11	REVISED BLOWER NAMES ON OPTIONS SHEET, REMOVED SHORTHAND	10/18/2017	EAC	10336
10	UPDATED GA FOR NEW MORRISON BLOWER SIZES	4/25/2017	EAC	10285
9	UPDATED DAMPER SIZES AND LOCATIONS	9/27/2016	ASV	EC-10149

REVISIONS

This drawing and information contained herein are the exclusive property of the Desert Aire Corporation. Any use detrimental to the interests of Desert Aire is prohibited.

All Dimensions in Inches
All Angles 90°
All Outside Corners 0.094" Radius
Unless Otherwise Specified

Tolerance Unless Otherwise Specified
X.X ±.125
X.XX ±.060
X.XXX ±.030
Angles ±1°
All Hole Tolerances Defined by PS-0005

DESERT AIRE
N120 W18485 Freistadt Road
Germantown, WI 53022
Tel: (262) 946-7400
Fax: (262) 946-7401

Material	Third Angle Projection	Drawn	Date Released	Description
Finish		DAH	5/13/2008	GENERAL ARRANGEMENT QV 24
Part Based On	Part weight	Sheet	Page Title	
		1 / 4	4-5 TON CABINET	
		Scale	Rev.	Drawing Number
		1:20	11	VerticalAire Horiz AF, Mix Box 4-15 GA

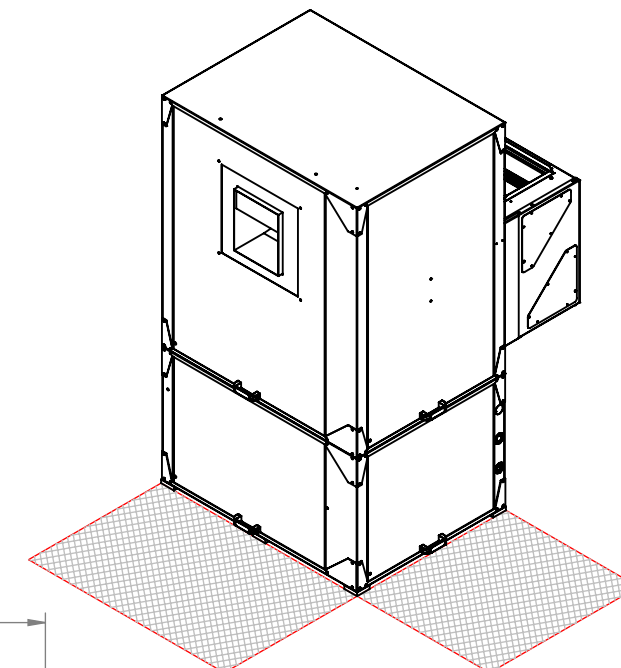
* APPROXIMATE DIMENSION

** ADD APPROXIMATELY 0.5 IN. FOR EXTERIOR PANEL FASTENERS

FILTER

UNIT SIZE (TONNAGE)	4" MERV 11 PART NUMBER	4" MERV 13 PART NUMBER	NOM WIDTH	NOM HEIGHT	QTY
8-10	870-106	870-134	20	25	2

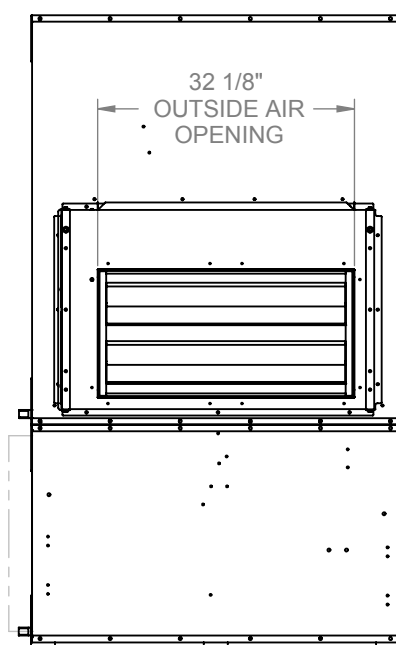
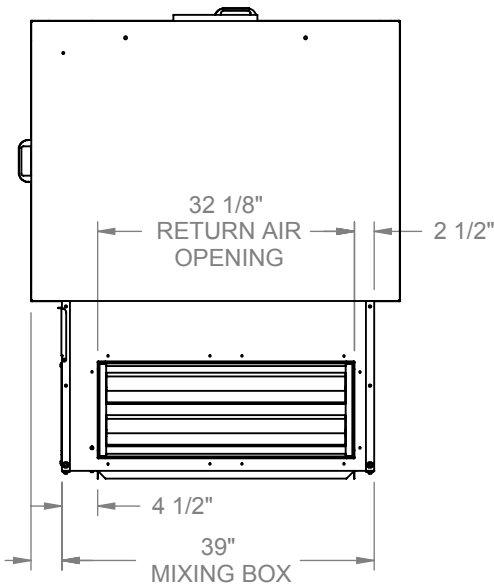
BLOWER MODEL	W	X	Y	Z
110-8	17 11/16"	10 3/4"	12 3/4"	9 3/4"
ATLI 10-7	18"	9 15/16"	11 5/8"	10 3/8"



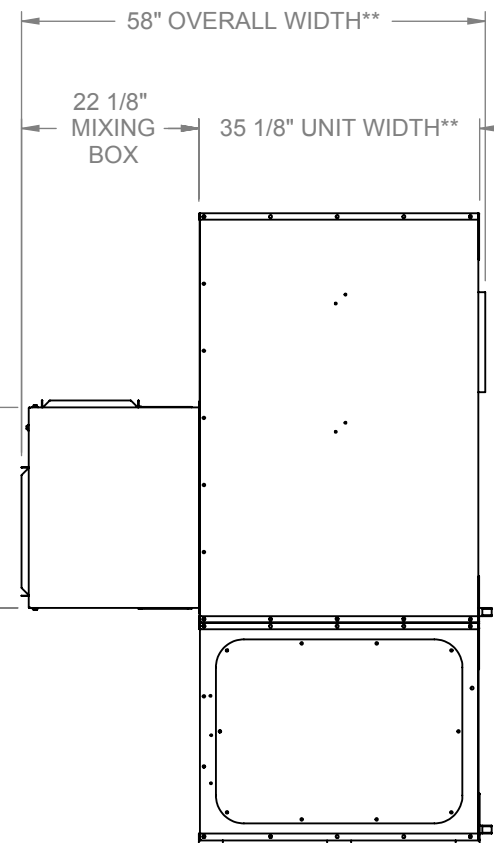
3' SERVICE CLEARANCE REQUIRED

TONNAGE	CAB WEIGHT
8	1050
10	1117

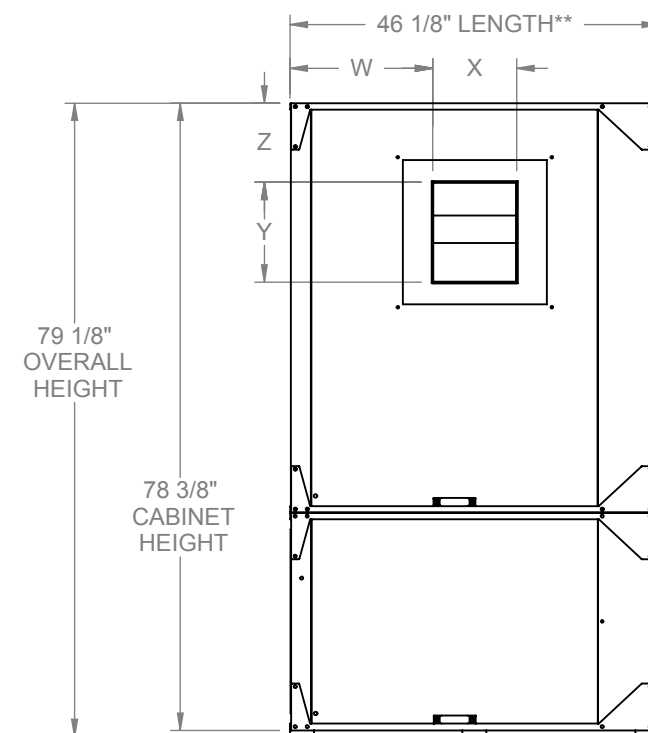
DISCHARGE VIEW



FRONT SIDE (O/A INTAKE) VIEW

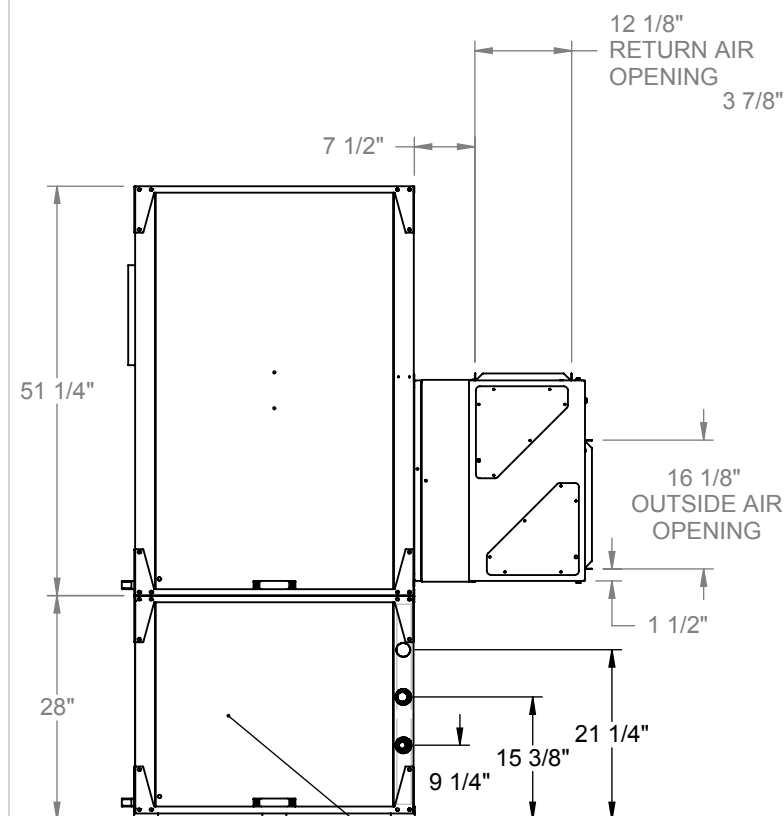


RIGHT SIDE VIEW (NO ACCESS)



BACK SIDE (SERVICE ACCESS) VIEW

REMOTE CONDENSER OR WATER CONNECTIONS AND CONDENSATE STUB LOCATION



LEFT SIDE (SERVICE ACCESS) VIEW

WATER COOLED AND HEAT PUMP CONDENSER CONNECTIONS		OPTIONAL REMOTE CONDENSER CONNECTIONS		CONDENSATE DRAIN CONNECTION
INLET	OUTLET	DISCHARGE	LIQUID RETURN	OUTLET
1 3/8" O.D.	1 3/8" O.D.	1 1/8" O.D.	5/8" O.D.	1" I.D.

This drawing and information contained herein are the exclusive property of the Desert Aire Corporation. Any use detrimental to the interests of Desert Aire is prohibited.	All Dimensions in Inches All Angles 90° All Outside Corners 0.094" Radius Unless Otherwise Specified	Tolerance Unless Otherwise Specified X.X ±.125 X.XX ±.060 X.XXX ±.030 Angles ±1° All Hole Tolerances Defined by PS-0005	N120 W18485 Freistadt Road Germantown, WI 53022 Tel: (262) 946-7400 Fax: (262) 946-7401	
			Drawn: DAH Date Released: 5/13/2008	Description: GENERAL ARRANGEMENT QV 36
Material:	Third Angle Projection	Sheet: 2 / 4	Page Title: 8-10 TON CABINET	
Part Based On:		Scale: 1:24 Rev: 11	Drawing Number: VerticalAire Horiz AF, Mix Box 4-15 GA	

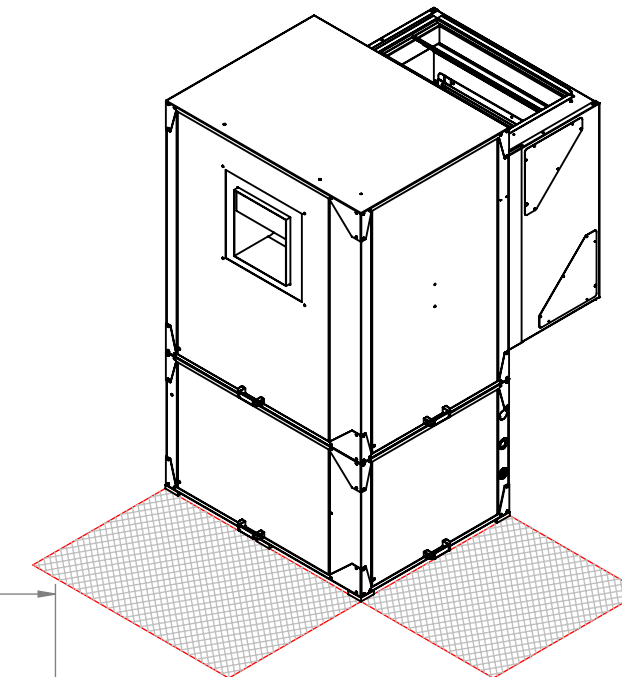
* APPROXIMATE DIMENSION

** ADD APPROXIMATELY 0.5 IN. FOR EXTERIOR PANEL FASTENERS

FILTER

UNIT SIZE (TONNAGE)	4" MERV 11 PART NUMBER	4" MERV 13 PART NUMBER	NOM WIDTH	NOM HEIGHT	QTY
15	870-107	870-129	20	20	4

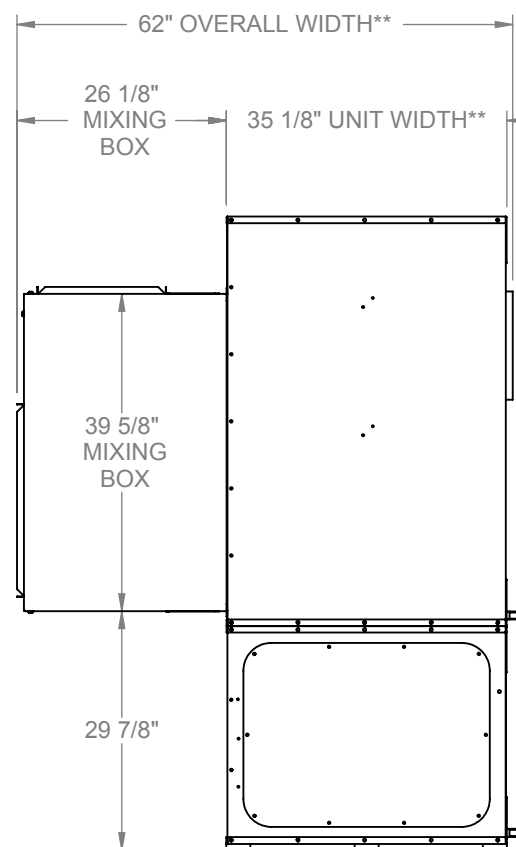
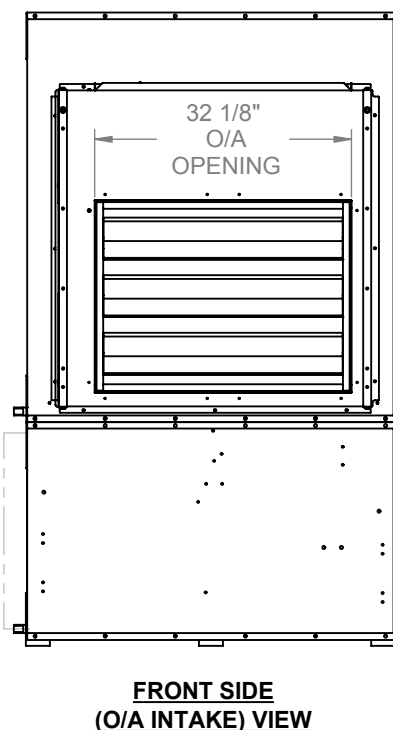
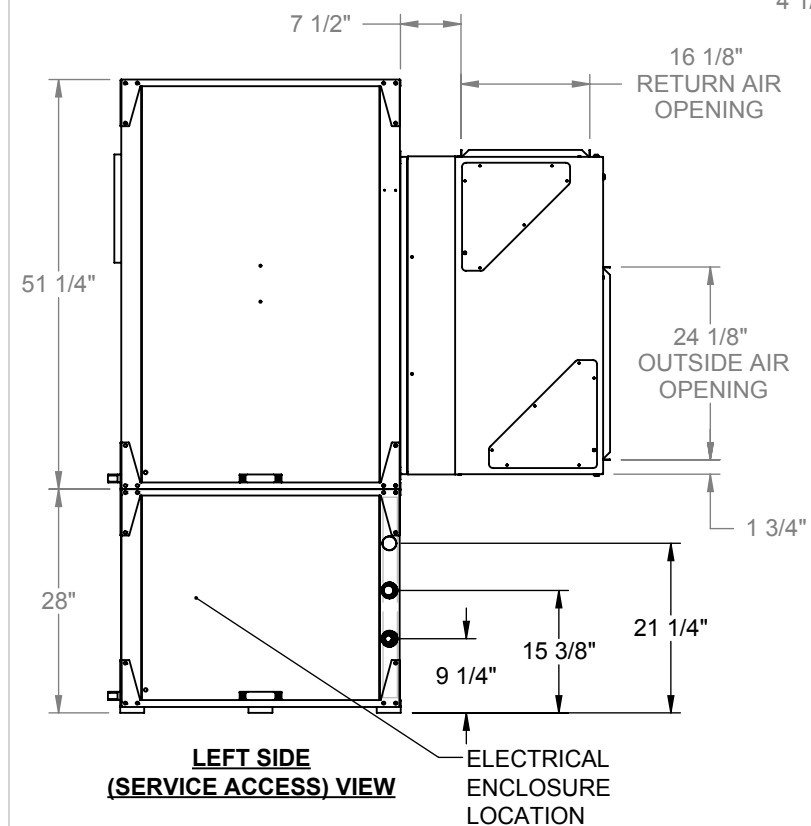
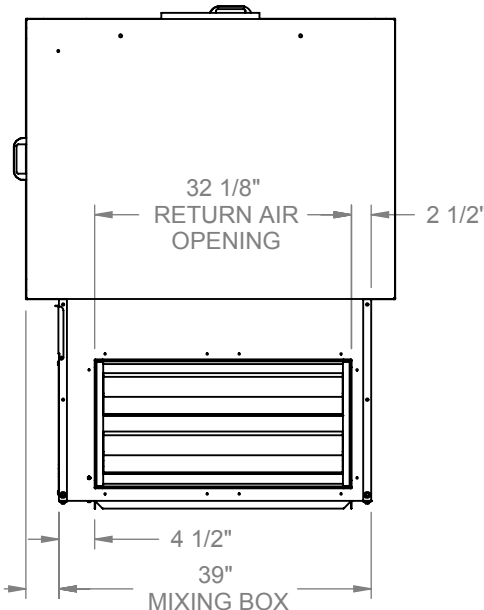
BLOWER MODEL	W	X	Y	Z
120-9	16 13/16"	12 1/2"	13 3/4"	9 1/4"
ATLI 10-7	18"	9 15/16"	11 5/8"	10 3/8"



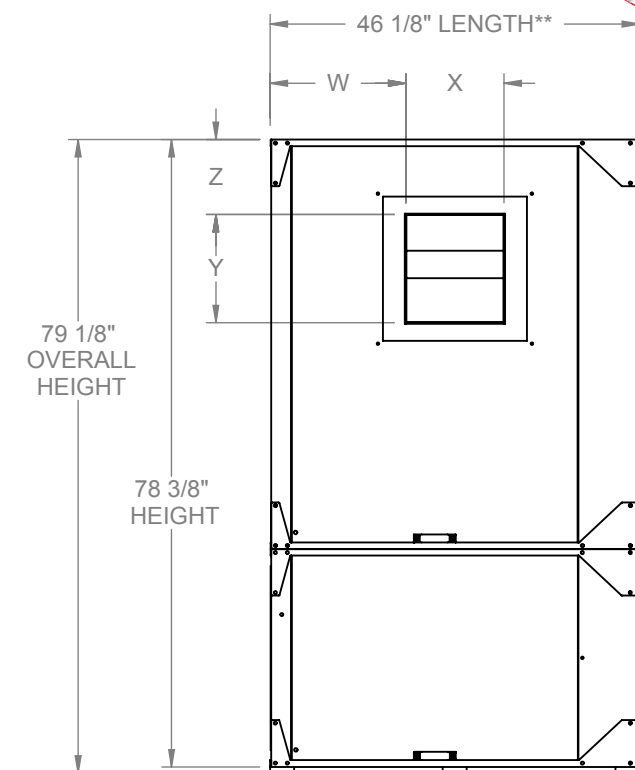
3' SERVICE CLEARANCE REQUIRED

TONNAGE	WEIGHT
15	1560

DISCHARGE VIEW



RIGHT SIDE VIEW (NO ACCESS)



BACK SIDE (SERVICE ACCESS) VIEW

REMOTE CONDENSER OR WATER CONNECTIONS AND CONDENSATE STUB LOCATION

WATER COOLED AND HEAT PUMP CONDENSER CONNECTIONS		OPTIONAL REMOTE CONDENSER CONNECTIONS		CONDENSATE DRAIN CONNECTION
INLET	OUTLET	DISCHARGE	LIQUID RETURN	OUTLET
1 5/8" O.D.	1 5/8" O.D.	1 1/8" O.D.	7/8" O.D.	1" I.D.

This drawing and information contained herein are the exclusive property of the Desert Aire Corporation. Any use detrimental to the interests of Desert Aire is prohibited.

All Dimensions in Inches
All Angles 90°
All Outside Corners 0.094" Radius
Unless Otherwise Specified

Tolerance Unless Otherwise Specified
X.X ±.125
X.XX ±.060
X.XXX ±.030
Angles ±1°

All Hole Tolerances Defined by PS-0005

DESERT AIRE N120 W18485 Freistadt Road
Germantown, WI 53022
Tel: (262) 946-7400
Fax: (262) 946-7401

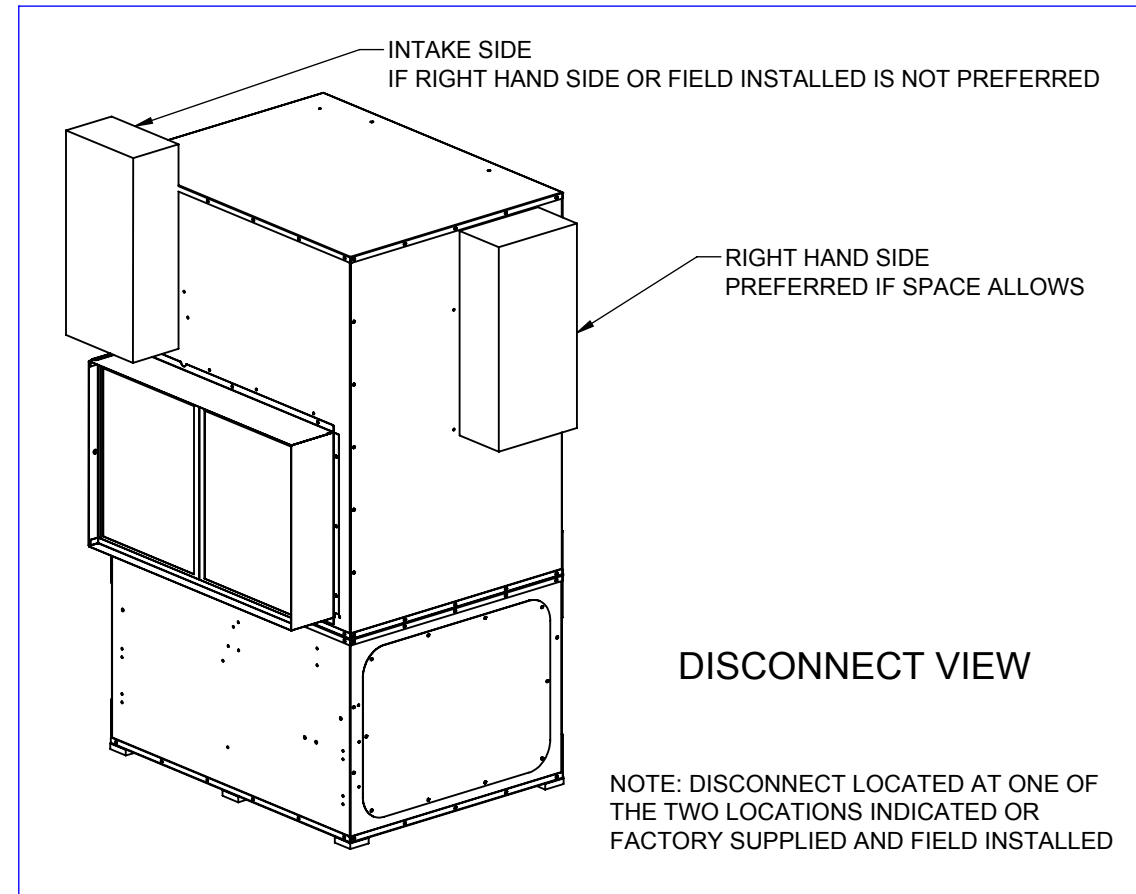
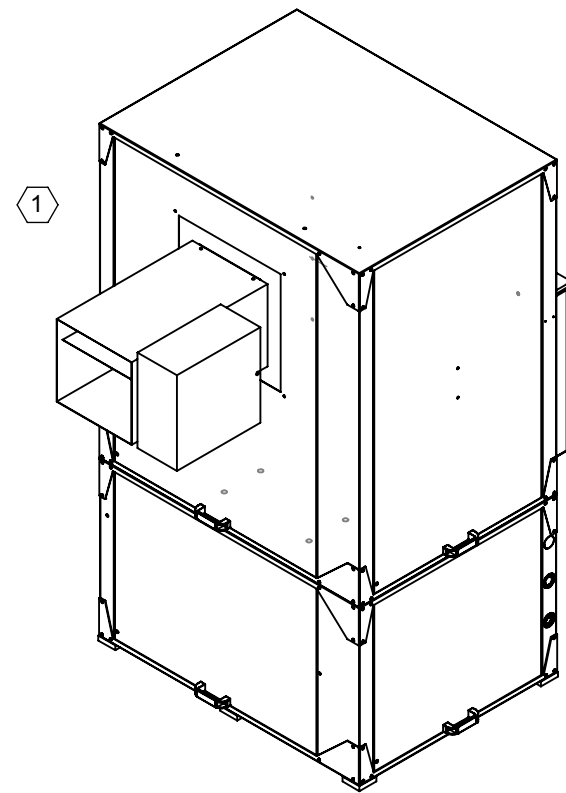
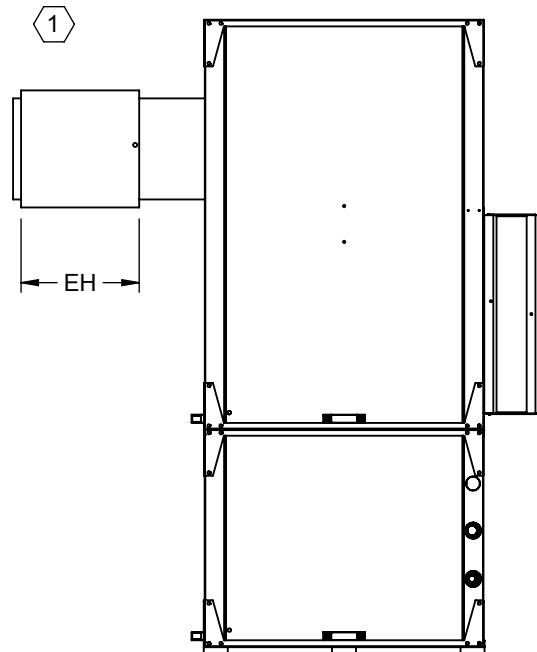
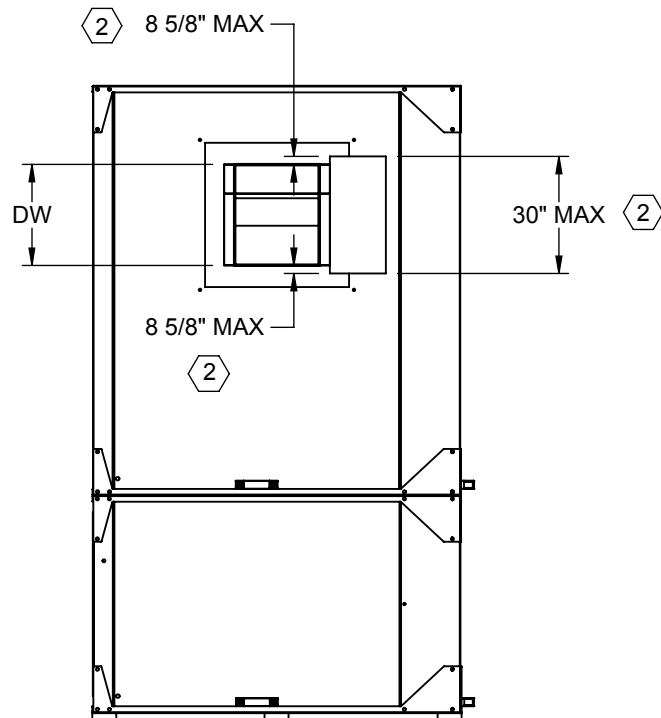
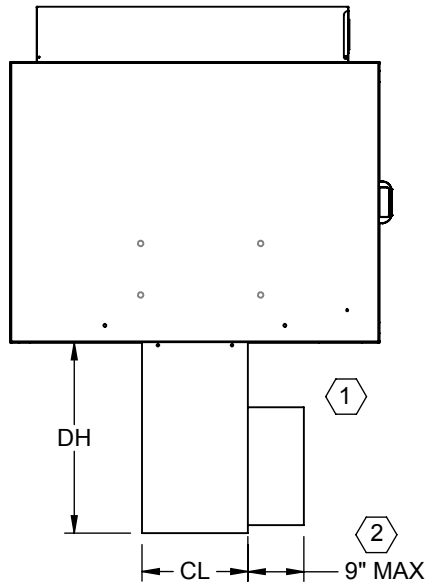
Material	Third Angle Projection	Drawn	Date Released	Description
Finish		DAH	5/13/2008	GENERAL ARRANGEMENT QV 36
Part Based On		Sheet	3 / 4	Page Title
	Part weight	Scale	1:24	Rev. 11 Drawing Number VerticalAire Horiz AF, Mix Box 4-15 GA

* APPROXIMATE DIMENSION

** ADD APPROXIMATELY 0.5 IN. FOR EXTERIOR PANEL FASTENERS

APPLICABLE UNIT SIZE	HEATER FRAME / BLOWER SIZE	MAX KW / SUPPLY VOLTAGE																		DUCT HEATER DIMENSIONS								
		240/1/60			240/3/60			480/3/60			600/3/60			208/1/60			208/3/60			CL	DH			DW	EH			
		S	M	L	S	M	L	S	M	L	S	M	L	S	M	L	S	M	L		S	M	L					
QV04	F (110x8 BLOWER)	30			37			42			40			26			32			10.63	24.00			12.75	22.00			
QV04	J (ATLI 7-7 BLOWER)	16			15			18			20			15			16			9.26	15.00			8.44	13.00			
QV05	F (110x8 BLOWER)	30			37			42			40			26			32			10.63	24.00			12.75	22.00			
QV05	J (ATLI 7-7 BLOWER)	16		30	15		35	18		35	20		32	15		31	16		31	9.26	15.00		22.00	8.44	13.00		20.00	
QV08	G (110x8 BLOWER)	30			37			42			40			26			32			10.63	24.00			12.75	22.00			
QV08	K (ATLI 10-7 BLOWER)	16	30	37	15	35	50	18	35	60	20	32	55	15	31	35	16	31	48	9.82	15.00	22.00	34.00	11.61	13.00	20.00	32.00	
QV10	G (110x8 BLOWER)	17	30	40	18	37	55	22	42	70	23	40	62	15	26	37	19	32	50	10.63	15.00	22.00	34.00	12.75	13.00	20.00	32.00	
QV10	K (ATLI 10-7 BLOWER)	16	30	37	15	35	50	18	35	60	20	32	55	15	31	35	16	31	48	9.82	15.00	22.00	34.00	11.61	13.00	20.00	32.00	
QV15	H (120x9 BLOWER)	20	32	45	25	50	60	26	50	74	26	46	66	20	28	39	22	45	54	12.38	15.00	22.00	34.00	13.66	13.00	20.00	32.00	
QV15	K (ATLI 10-7 BLOWER)	30			35			35			37			28			32			9.82	17.00			11.61	15.00			

- ① HEATER IS FACTORY SUPPLIED ACCESSORY FIELD INSTALLED
- ② MAX DIMENSIONS MAY BE SMALLER FOR SMALLER KW HEATERS



This drawing and information contained herein are the exclusive property of the Desert Aire Corporation. Any use detrimental to the interests of Desert Aire is prohibited.

All Dimensions in Inches
All Angles 90°
All Outside Corners 0.094" Radius
Unless Otherwise Specified

Tolerance Unless Otherwise Specified
X.X ±.125
X.XX ±.060
X.XXX ±.030
Angles ±1°
All Hole Tolerances Defined by PS-0005

DESERT AIRE
N120 W18485 Freistadt Road
Germantown, WI 53022
Tel: (262) 946-7400
Fax: (262) 946-7401

Material
Finish
Part Based On

Third Angle Projection
Part weight

Drawn: DAH
Date Released: 5/13/2008
Sheet: 4 / 4
Scale: 1:24

Description: GENERAL ARRANGEMENT QV 36
Page Title: OPTIONS
Rev: 11
Drawing Number: VerticalAire Horiz AF, Mix Box 4-15 GA