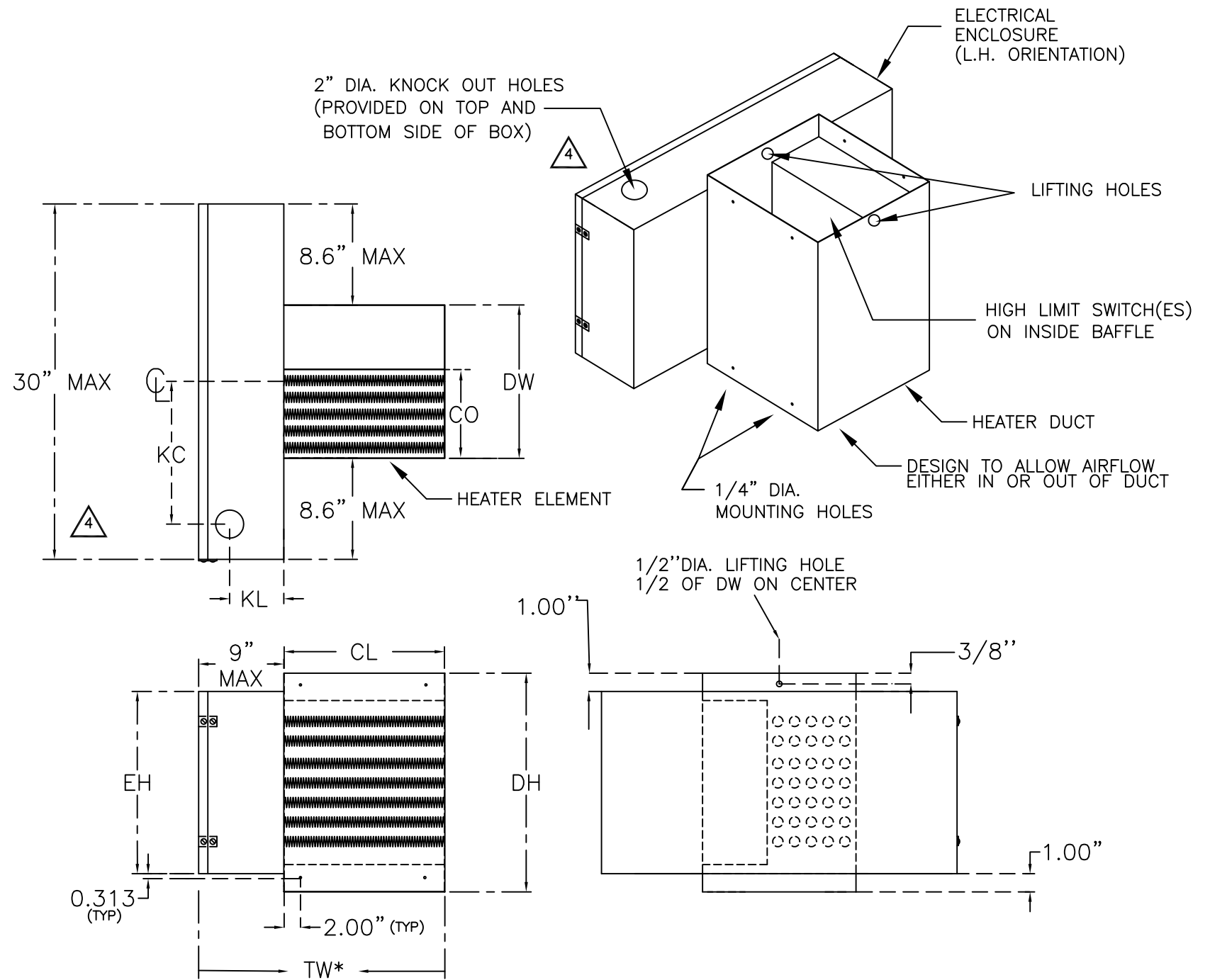


ALL DIMENSIONS ARE DETAILED  
IN TABLE ON PAGE 2



- APPLICATION NOTES:**
- 1) DHQV CLOSE COUPLED HEATERS AND VERTICAL AIRE DEHUMIDIFIERS ARE CONFIGURED FOR SINGLE POINT POWER WIRE CONNECTION.
  - 2) FIELD CONNECTION OF POWER, SIGNAL, AND SAFETY CIRCUIT INTERLOCK IS REQUIRED (HEATERS ARE SHIPPED LOOSE).
  - 3) DHQV HEATERS EMPLOY VENDOR SAFETY CIRCUIT W/ AUTOMATIC CUT OUT AND MANUAL RESET.
  - 4) HEATERS SHALL BE DESIGNED SO THAT AIRFLOW MAY GO THROUGH DUCT IN EITHER DIRECTION.
  - 5) DIMENSIONS DENOTED WITH "\*" ARE MAXIMUM, AND MAY BE SMALLER FOR SMALLER KW HEATERS.
  - 6) LARGER KW HEATERS ARE AVAILABLE IN 480V FOR QV15 UNITS EMPLOYING 12x12 BLOWERS.
  - 7) HEATERS MAY NOT BE INSTALLED WITH HIGH TEMP LIMIT SWITCHES BELOW COIL.
  - 8) ALL HEATERS ARE TO BE FUSED.
  - 9) INSTALL THE HEATER WITH THE ELEMENTS IN THE BLAST AREA AT THE EXIT OF THE BLOWER.
  - 10) LABELS ON HEATER TO INCLUDE RATING PLATE AND CAUTION LABEL
  - 11) STEP CONTROLLER REQUIRED FOR CURRENT DRAW > 125 AMPS

**HEATER MODEL MATRIX SUMMARY:**

- MODEL LINE: DHQV [FOR VERTICAL AIRE "QV" IAQ DEHUMIDIFIER LINE] SCR CONTROLLED HEATER
- FRAME SIZE: (F) 110-8R BLWR 4-5T, (G) 110-8R BLWR 8-10T, (H) 120-9R BLWR, (J) ATLI 7-7 BLWR, (K) ATLI 10-7 BLWR
- HEATER POWER OUTPUT: KW IN 1 KW INCREMENTS. SEE TABLE FOR KW LIMITS [SINGLE PHASE NOT AVAILABLE OVER 30KW].
- HEATER AIRFLOW ORIENTATION: (H) HORIZONTAL, (V) VERTICAL
- HEATER VOLTAGE: (208) VOLT, (240) VOLT, (480) VOLT, OR (600) VOLT
- POWER TYPE: (1) SINGLE PHASE 60 HZ, (2) SINGLE PHASE 50 HZ, (3) THREE PHASE 60 HZ, (4) THREE PHASE 50 HZ
- SIGNAL CONDITIONING: (A) ANALOG 4-20 mA, (E) ANALOG 0-10 VDC [STANDARD], (N) NO SIGNAL CONDITIONING

DRAWING NOT TO SCALE

TOLERANCE UNLESS OTHERWISE SPECIFIED  
 X.X +/- .125  
 X.XX +/- .060  
 X.XXX +/- .030  
 ANGLES +/- 1°

MODEL NUMBER: DHQV X NNN X NNN N X

REV.	DESCRIPTION	DATE	INITIALS	ECN #	TITLE	SCALE	SHEET	DATE	DRAWN	APPR.
9	DIGIT 5 UPDATE & ADD 2ND PAGE	05/02/17	LL	10285	DHQV CLOSE COUPLED ELECTRIC DUCT HEATER				ALH	
8	UPDATE DIGIT 9 IN MODEL #, NOTE 4, HIGH LIMIT SWITCH HOLE RE-LOCATION, ADDITION OF DIMENSION CO	06/03/15	LL	2504	GENERAL ARRANGEMENT DRAWING					
7	ADDED 4-5T BLOWERS	4/27/15	ASV	2482	QV					
6	UPDATED KNOCK OUT LOC	11/18/14	ASV	2421		1/2	05/23/05			
					DRAWING NUMBER					
					DHQV-S01					
					REV.					
					9					



APPLICABLE UNIT SIZE	HEATER FRAME / BLOWER SIZE	MAX KW / SUPPLY VOLTAGE																		DUCT HEATER DIMENSIONS											
		240/1/60			240/3/60			480/3/60			600/3/60			208/1/60			208/3/60			CD	CL	DH			DW	EH			TW*	KL	KC
		SML	MED	LRG	SML	MED	LRG	SML	MED	LRG	SML	MED	LRG	SML	MED	LRG	SML	MED	LRG			SML	MED	LRG		SML	MED	LRG			
QV04	F (110x8 BLWR)	30			37			42			40			26			32			6.62"	10.63"	24.00"			12.75"	22.00"			16.00"	5.77"	10.00"
QV04	J (ATLI 7-7 BLWR)	16			15			18			20			15			16			6.62"	9.26"	15.00"			8.44"	13.00"			22.31"	6.46"	10.00"
QV05	F (110x8 BLWR)	30			37			42			40			26			32			6.62"	10.63"	24.00"			12.75"	22.00"			16.00"	5.77"	10.00"
QV05	J (ATLI 7-7 BLWR)	16		30	15		35	18		35	20		32	15		31	16		31	6.62"	9.26"	15.00"		22.00"	8.44"	13.00"		20.00"	22.31"	6.46"	10.00"
QV08	G (110x8 BLWR)	30			37			42			40			26			32			6.62"	10.63"	24.00"			12.75"	22.00"			16.00"	4.00"	12.00"
QV08	K (ATLI 10-7 BLWR)	16	30	37	15	35	50	18	35	60	20	32	55	15	31	35	16	31	48	6.62"	9.82"	15.00"	22.00"	34.00"	11.61"	13.00"	20.00"	32.00"	22.31"	4.00"	12.00"
QV10	G (110x8 BLWR)	17	30	40	18	37	55	22	42	70	23	40	62	15	26	37	19	32	50	6.62"	10.63"	15.00"	22.00"	34.00"	12.75"	13.00"	20.00"	32.00"	22.31"	4.00"	12.00"
QV10	K (ATLI 10-7 BLWR)	16	30	37	15	35	50	18	35	60	20	32	55	15	31	35	16	31	48	6.62"	9.82"	15.00"	22.00"	34.00"	11.61"	13.00"	20.00"	32.00"	22.31"	4.00"	12.00"
QV15	H (120x9 BLWR)	20	32	45	25	50	60	26	50	74	26	46	66	20	28	39	22	45	54	6.62"	12.38"	15.00"	22.00"	34.00"	13.66"	13.00"	20.00"	32.00"	22.31"	7.02"	12.00"
QV15	K (ATLI 10-7 BLWR)	30			35			35			37			28			32			8.18"	9.82"	17.00"			11.61"	15.00"			24.80"	4.00"	12.00"

9	DIGIT 5 UPDATE & ADD 2ND PAGE	05/02/17	LL	10285	TITLE	DHQV CLOSE COUPLED ELECTRIC DUCT HEATER		
8	UPDATE DIGIT 9 IN MODEL #, NOTE 4, HIGH LIMIT SWITCH HOLE RE-LOCATION, ADDITION OF DIMENSION CD	06/03/15	LL	2504	DESCRIPTION	GENERAL ARRANGEMENT DRAWING		
7	ADDED 4-5T BLOWERS	4/27/15	ASV	2482	SYSTEM	QV	DRAWN	ALH
6	UPDATED KNOCK OUT LOC	11/18/14	ASV	2421	SCALE	SHEET	DATE	05/23/05
REV.	DESCRIPTION	DATE	INITIALS	ECN #	DRAWING NUMBER	REV.	DHQV-S01 9	
REVISIONS								

