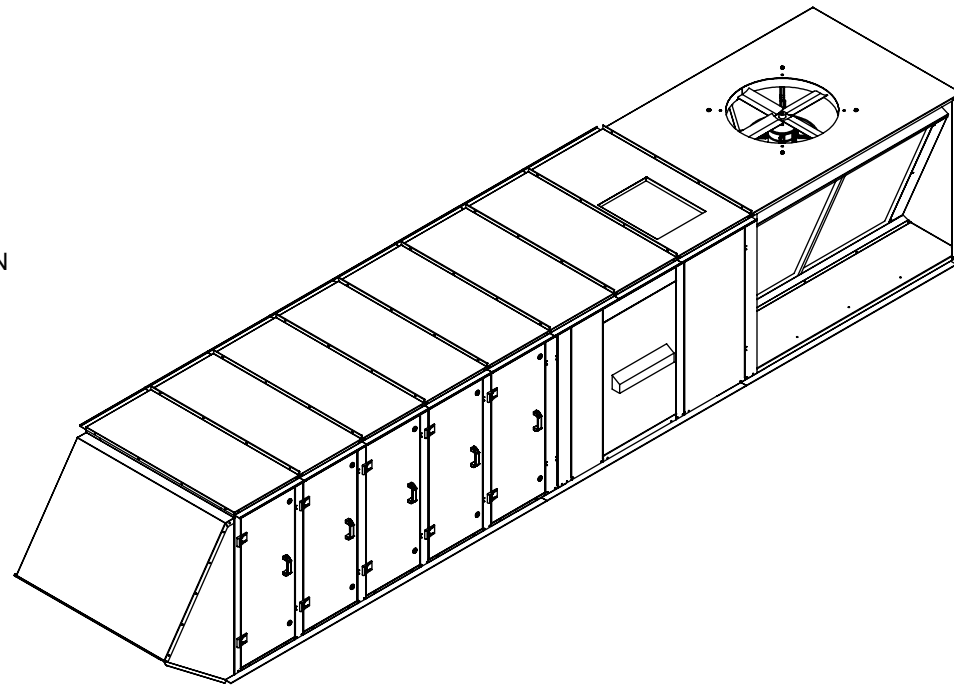
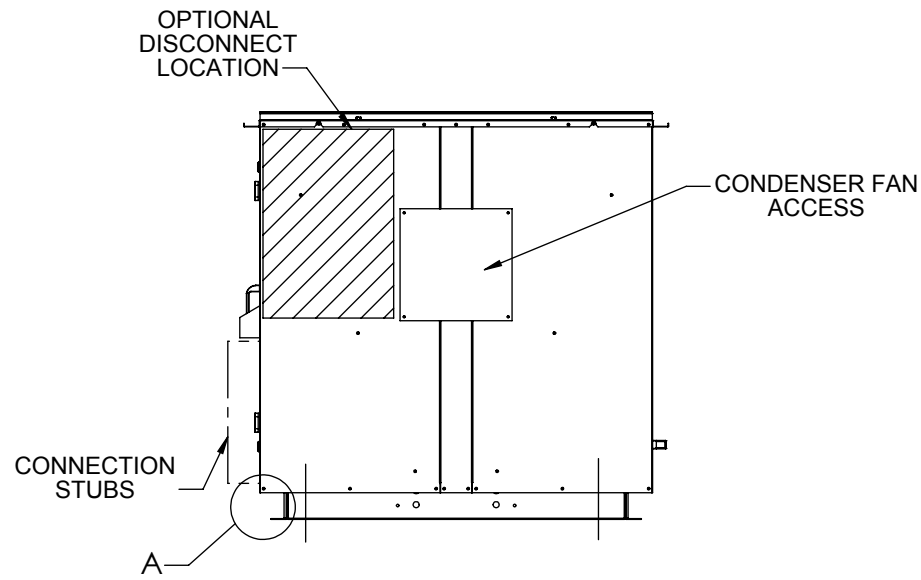
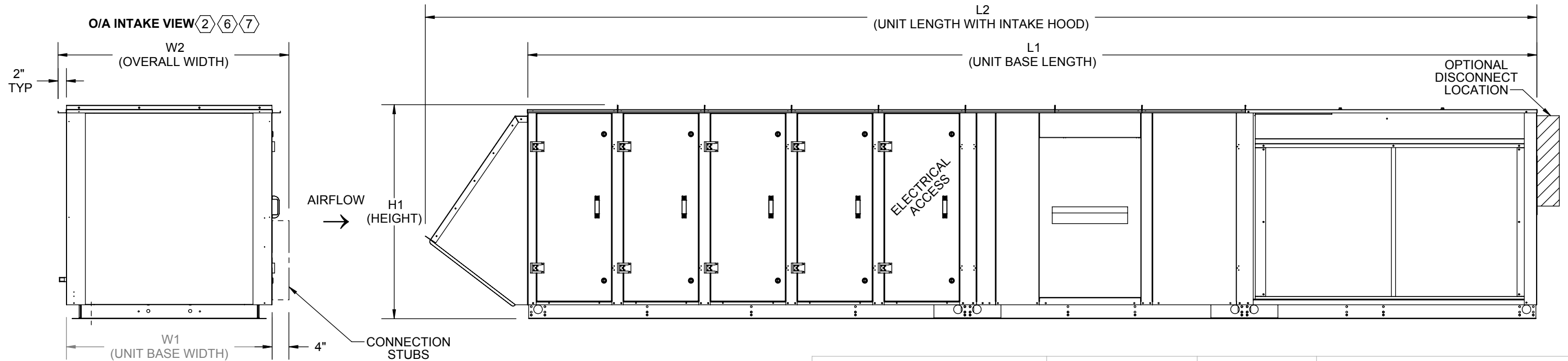


CONDENSER ACCESS VIEW 2 6 7



AIR FLOW	UNIT SIZE (TONS)	UNIT CABINET SIZE	GAS HEATER QTY.	L1	W1	H1	L2	W2
DOWN FLOW	08	36	1	241 1/8	49 1/8	51 1/8	265 1/2	55 1/8
			2	275 3/4	49 1/8	51 1/8	300 1/8	55 1/8
	10		1	241 1/8	49 1/8	51 1/8	265 1/2	55 1/8
			2	275 3/4	49 1/8	51 1/8	300 1/8	55 1/8
	15		1	241 1/8	49 1/8	51 1/8	265 1/2	55 1/8
			2	275 3/4	49 1/8	51 1/8	300 1/8	55 1/8
	20	44	1	276 1/2	54 1/2	55 1/8	302 7/8	60 1/2
			2	311 1/8	54 1/2	55 1/8	337 1/2	60 1/2
	25	50	1	292 5/8	61 1/8	63 1/8	322 7/8	67 1/8
			2	327 1/4	61 1/8	63 1/8	357 1/2	67 1/8
	30	50	1	326 1/4	61 1/8	63 1/8	356 5/8	67 1/8
			2	360 7/8	61 1/8	63 1/8	391 1/4	67 1/8
TOP FLOW	08	36	1	241 1/8	49 1/8	51 1/8	265 1/2	55 1/8
			2	275 3/4	49 1/8	51 1/8	300 1/8	55 1/8
	10		1	241 1/8	49 1/8	51 1/8	265 1/2	55 1/8
			2	275 3/4	49 1/8	51 1/8	300 1/8	55 1/8
	15		1	241 1/8	49 1/8	51 1/8	265 1/2	55 1/8
			2	275 3/4	49 1/8	51 1/8	300 1/8	55 1/8
	20	44	1	276 1/2	54 1/2	55 1/8	302 7/8	60 1/2
			2	311 1/8	54 1/2	55 1/8	337 1/2	60 1/2
	25	50	1	292 5/8	61 1/8	63 1/8	322 7/8	67 1/8
			2	327 1/4	61 1/8	63 1/8	357 1/2	67 1/8
	30	50	1	326 1/4	61 1/8	63 1/8	356 5/8	67 1/8
			2	360 7/8	61 1/8	63 1/8	391 1/4	67 1/8

ACCESS SIDE VIEW 6 7



GENERAL NOTES AS REFERENCED BY INDIVIDUAL SHEETS:

- 1 PORTION OF SECTIONED OR DETAILED DRAWING HAS BEEN OMITTED FOR CLARITY.
- 2 HOODS OMITTED FOR CLARITY.
- 3 VIEW IS FOR PICTORAL PURPOSES. REFER TO PAGE 1 FOR UNIT TYPE SPECIFIC VIEW.
- 4 REFER TO SUBMITTAL FOR CUSTOMER CONNECTION LOCATIONS.
- 5 DIMENSIONS ARE TO ACCESS SIDE OF UNIT.
- 6 RH ACCESS SHOWN FOR DISPLAY PURPOSES. ACCESS DOOR CONFIGURATION MAY CHANGE DEPENDING ON UNIT SIZE.
- 7 REFER TO SHEET 3,4, FOR INTAKE AND DISCHARGE CONNECTION DIMENSIONS.

Desert Aire has a policy of continuous product and quality improvement. Specifications and dimensions are subject to change without notice. This drawing and information contained herein are the exclusive property of the Desert Aire Corporation. Any use detrimental to the interests of Desert Aire is prohibited.

All Dimensions in Inches
All Angles 90°
All outside corners 0.125" fillet
Unless Otherwise Specified

Tolerance Unless Otherwise Specified
X.X ±.125
X.XX ±.060
X.XXX ±.030
Angles ±1°

DESERT AIRE
N120 W18485 FREISTADT RD
GERMANTOWN, WI 53022
Tel: (262) 946-7400
Fax: (262) 946-7401



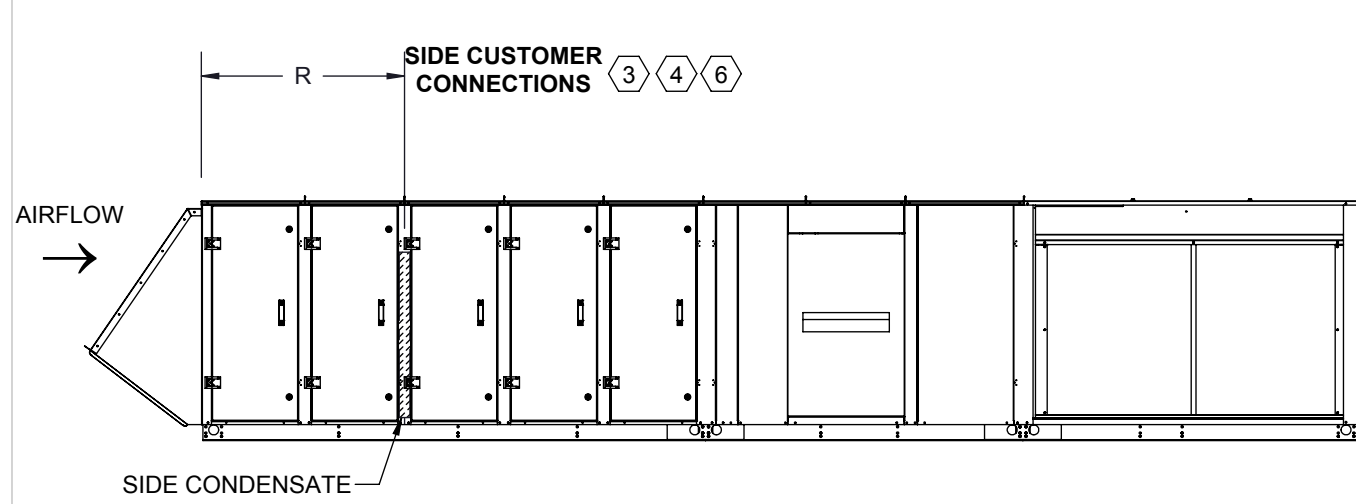
Third Angle Projection

Part weight

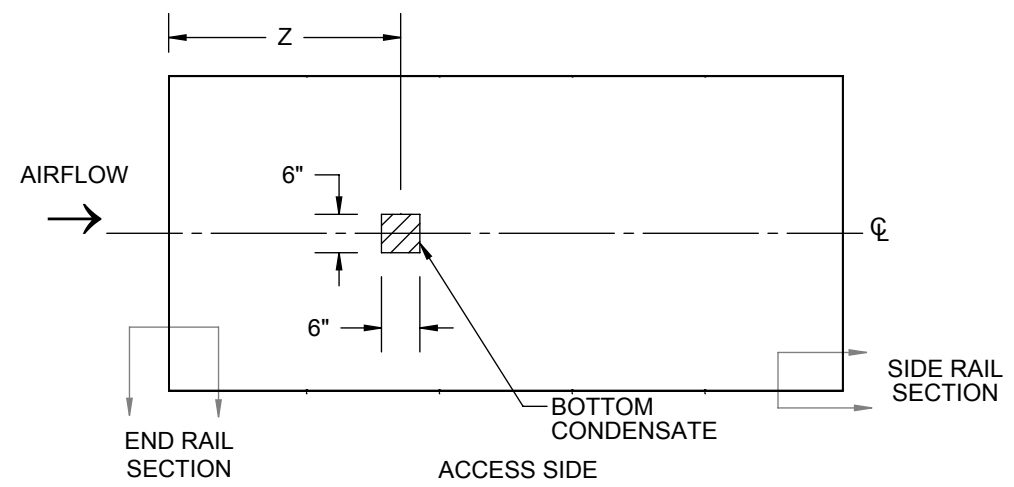
Drawn	Date Released	Description
BCL	5/6/2011	PACKAGED w/ GAS HEAT
Sheet	1/5	Page Title
		GENERAL ARRANGEMENT
Scale	Rev.	Drawing Number
NTS	3	G805-016

ALL DIMENSIONS ARE IN INCHES
FRACTIONAL TOLERANCE ± 1/8"

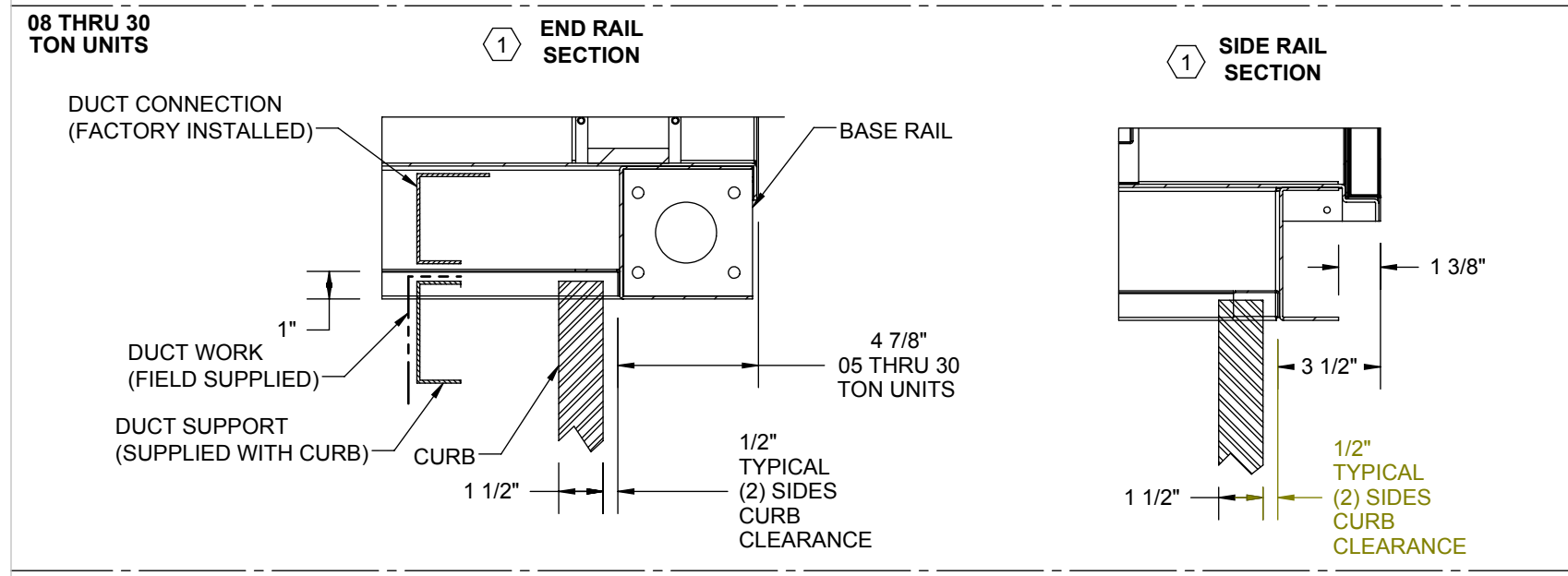
NOTES:
REFER TO SHEET 1 FOR GENERAL NOTES.



BOTTOM CUSTOMER CONNECTIONS (VIEW FROM ABOVE) 2 3 4 5 6



AIR FLOW	UNIT SIZE (TONS)	UNIT CABINET SIZE	GAS HEATER QTY.	R	Z
DOWN FLOW	08	36	1	42 3/8	42 3/8
			2	42 3/8	42 3/8
	10		1	42 3/8	42 3/8
			2	42 3/8	42 3/8
	15		1	42 3/8	42 3/8
			2	42 3/8	42 3/8
20	44	1	45	44 7/8	
		2	45	44 7/8	
TOP FLOW	08	36	1	42 3/8	42 3/8
			2	42 3/8	42 3/8
	10		1	42 3/8	42 3/8
			2	42 3/8	42 3/8
	15		1	42 3/8	42 3/8
			2	42 3/8	42 3/8
20	44	1	45	44 7/8	
		2	45	44 7/8	
25	50	1	45 3/4	45 3/4	
		2	45 3/4	45 3/4	
30	50	1	45 3/4	45 3/4	
		2	45 3/4	45 3/4	



Unit Size	8 TONS	10 TONS	15 TONS	20 TONS	25 TONS	30 TONS
RC DISCHARGE	7/8	7/8	1 1/8	1 1/8	1 1/8	1 3/8
RC RETURN	5/8	5/8	3/4	3/4	7/8	7/8
WATER INLET	1 3/8	1 3/8	1 5/8	2 5/8	2 5/8	2 5/8
WATER OUTLET	1 3/8	1 3/8	1 5/8	2 5/8	2 5/8	2 5/8
CONDENSATE	1	1	1	1	1	1

Desert Aire has a policy of continuous product and quality improvement. Specifications and dimensions are subject to change without notice. This drawing and information contained herein are the exclusive property of the Desert Aire Corporation. Any use detrimental to the interests of Desert Aire is prohibited.

All Dimensions in Inches
All Angles 90°
All outside corners 0.125" fillet
Unless Otherwise Specified

Tolerance Unless Otherwise Specified
X.X ±.125
X.XX ±.060
X.XXX ±.030
Angles ±1°

DESERT AIRE
N120 W18485 FREISTADT RD
GERMANTOWN, WI 53022
Tel: (262) 946-7400
Fax: (262) 946-7401

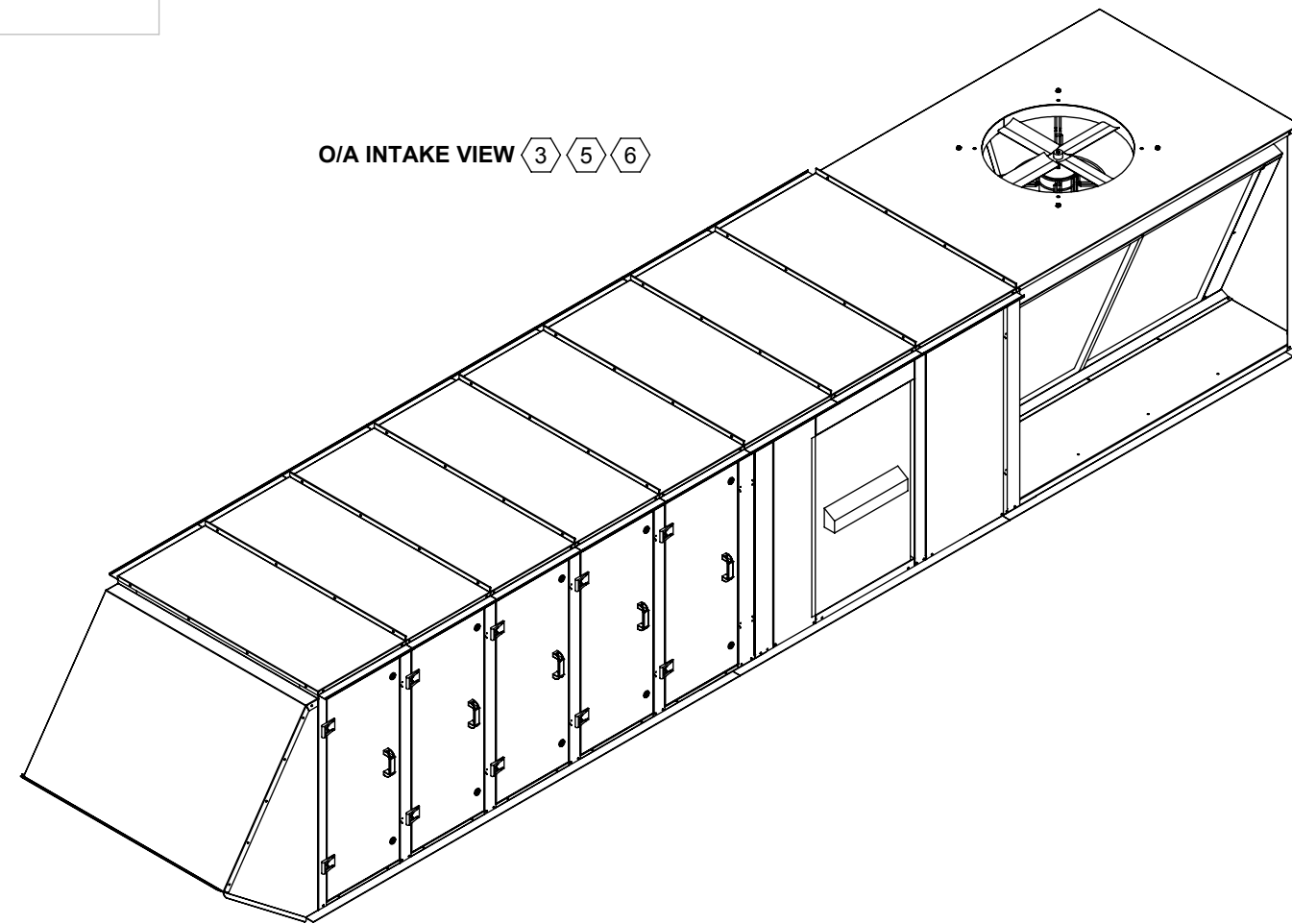
Drawn: BCL Date Released: 5/6/2011 Description: PACKAGED w/ GAS HEAT

Sheet: 2/5 Page Title: CUSTOMER INTERFACE GA

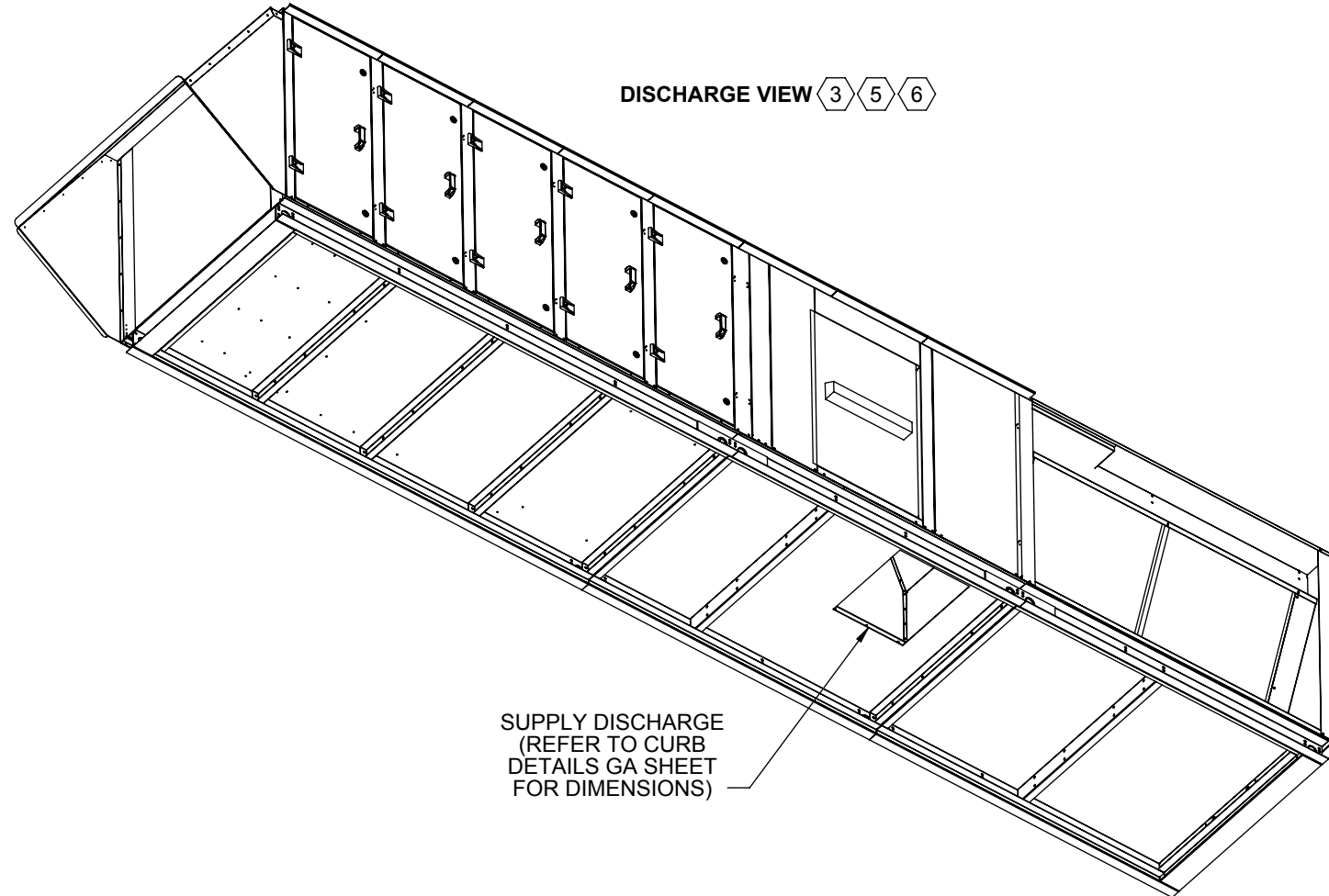
Scale: NTS Rev: 3 Drawing Number: G805-016

Third Angle Projection

ALL DIMENSIONS ARE IN INCHES
FRACTIONAL TOLERANCE ± 1/8"



O/A INTAKE VIEW 3 5 6



DISCHARGE VIEW 3 5 6

SUPPLY DISCHARGE
(REFER TO CURB
DETAILS GA SHEET
FOR DIMENSIONS)

NOTES:

REFER TO SHEET 1 FOR GENERAL NOTES.

WEIGHTS SHOWN REFLECT FULLY OPTIONED ESTIMATED UNIT WEIGHT.

REFER TO CURB DETAILS GA SHEET FOR SUPPLY DUCT DIMENSION AND LOCATIONS.

UNIT SIZE (TONS)	UNIT CABINET SIZES	GAS HEATER QTY.	DOWN FLOW
			TOTAL EST. WEIGHT (LBS.)
08	36	1	2925
		2	3153
10		1	3147
		2	3407
15		1	3573
		2	4061
20	44	1	4294
		2	4828
25	50	1	5184
		2	5765
30		1	6001
		2	6351

Desert Aire has a policy of continuous product and quality improvement. Specifications and dimensions are subject to change without notice. This drawing and information contained herein are the exclusive property of the Desert Aire Corporation. Any use detrimental to the interests of Desert Aire is prohibited.

All Dimensions in Inches
All Angles 90°
All outside corners 0.125" fillet
Unless Otherwise Specified

Tolerance Unless Otherwise Specified
X.X ±.125
X.XX ±.060
X.XXX ±.030
Angles ±1°



N120 W18485 FREISTADT RD
GERMANTOWN, WI 53022
Tel: (262) 946-7400
Fax: (262) 946-7401



Third Angle Projection

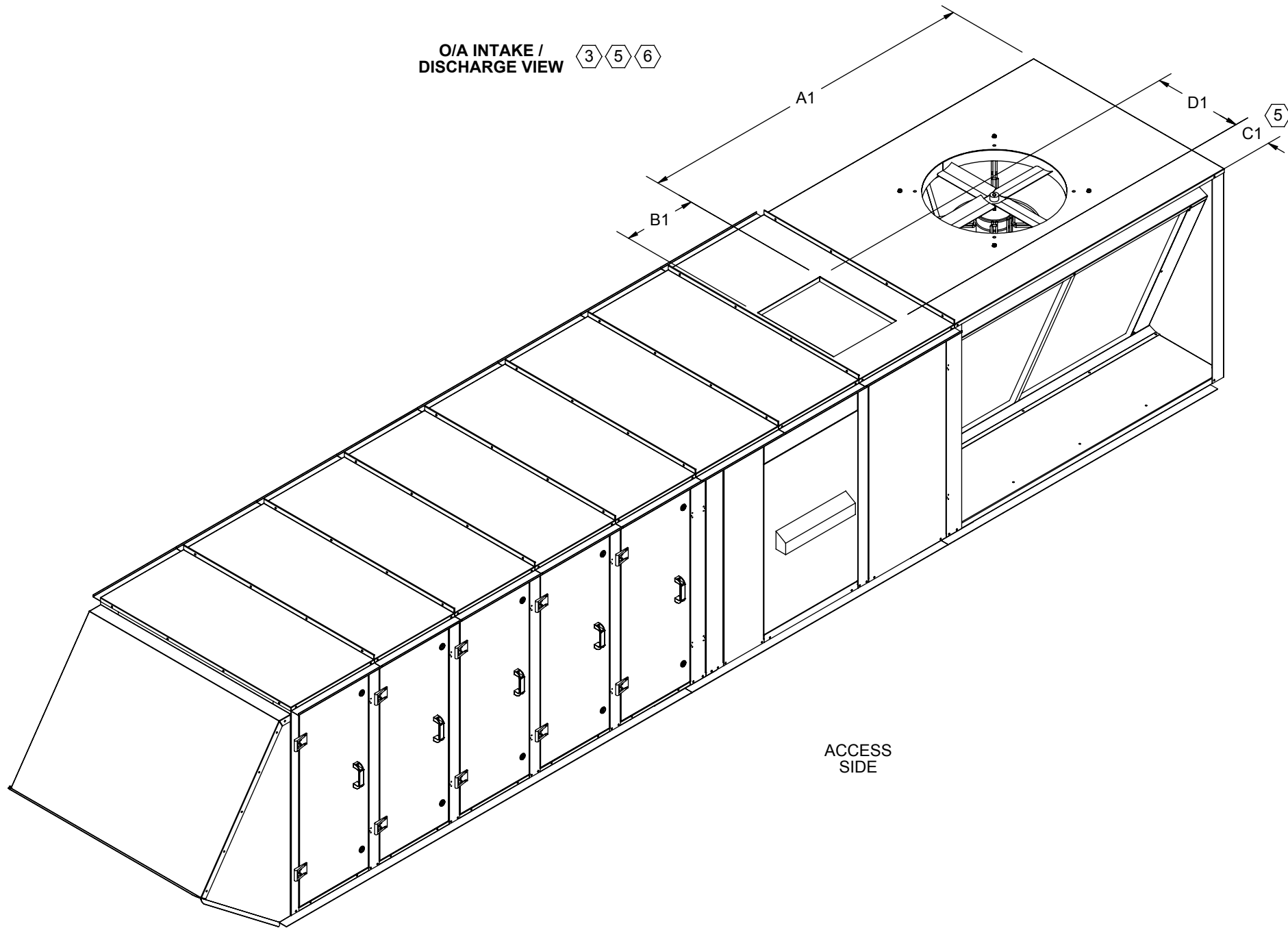
ALL DIMENSIONS ARE IN INCHES
FRACTIONAL TOLERANCE ± 1/8"

Part weight

Drawn	BCL	Date Released	5/6/2011	Description	PACKAGED w/ GAS HEAT
Sheet	3/5		Page Title		
Scale	NTS		Rev.	3	
Drawing Number			G805-016		

NOTES:
 REFER TO SHEET 1 FOR GENERAL NOTES.
 WEIGHT SHOWN REFLECT FULLY OPTIONED
 ESTIMATED UNIT WEIGHT

O/A INTAKE /
 DISCHARGE VIEW 3 5 6



UNIT SIZE (TONS)	UNIT CABINET SIZES	GAS HEATER QTY.	TOP FLOW				TOTAL EST. WEIGHT (LBS.)
			SUPPLY DISCHARGE (in.)				
			A1	B	C1 5	D	
08	36	1	70 7/8	16	7 1/8	19 3/4	2925
		2	70 7/8	16	7 1/8	19 3/4	3153
10		1	70 7/8	16	7 1/8	25 1/4	3147
		2	70 7/8	16	7 1/8	19 3/4	3407
15		1	70 7/8	16	7 1/8	25 1/4	3573
		2	70 7/8	16	7 1/8	25 1/4	4061
20	44	1	88 3/4	16	7 1/8	33 1/2	4294
		2	88 3/4	16	7 1/8	33 1/2	4828
25	50	1	102 1/4	16	7 1/8	39	5184
		2	102 1/4	16	7 1/8	39	5765
30		1	136	16	7 1/8	39	6001
		2	136	16	7 1/8	39	6351

ACCESS
 SIDE

This drawing and information contained herein are the exclusive property of the Desert Aire Corporation. Any use detrimental to the interests of Desert Aire is prohibited.

All Dimensions in Inches
 All Angles 90°
 All outside corners 0.125" fillet
 Unless Otherwise Specified

Tolerance Unless
 Otherwise Specified
 X.X ±.125
 X.XX ±.060
 X.XXX ±.030
 Angles ±1°



N120 W18485 FREISTADT RD
 GERMANTOWN, WI 53022
 Tel: (262) 946-7400
 Fax: (262) 946-7401



Third Angle Projection

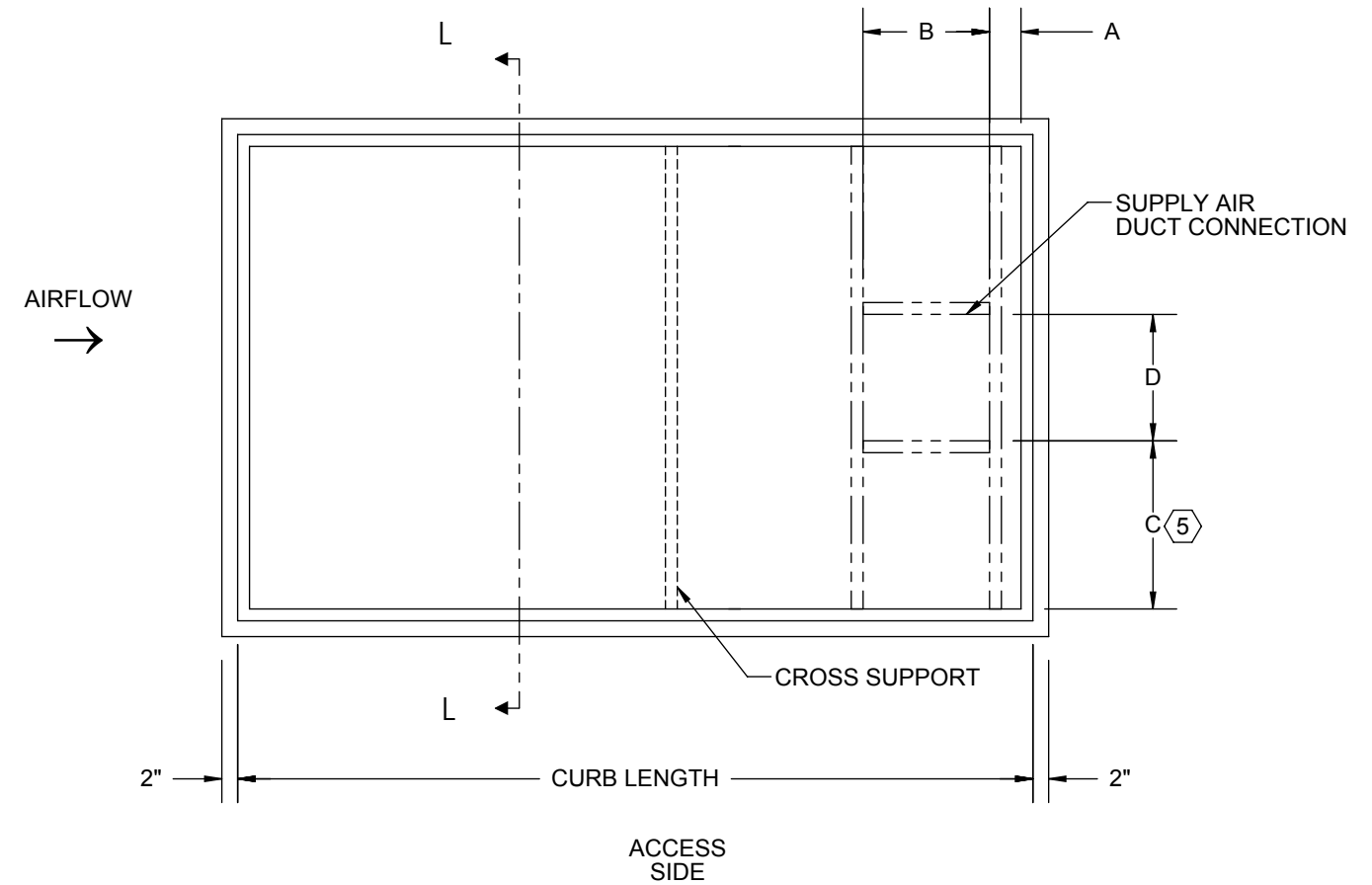
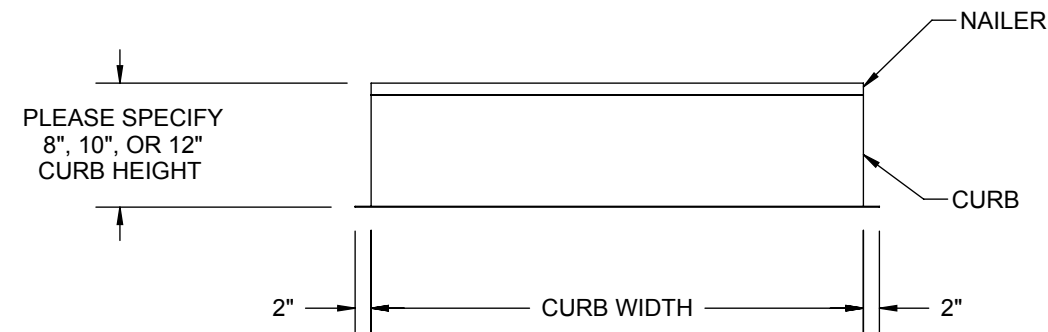
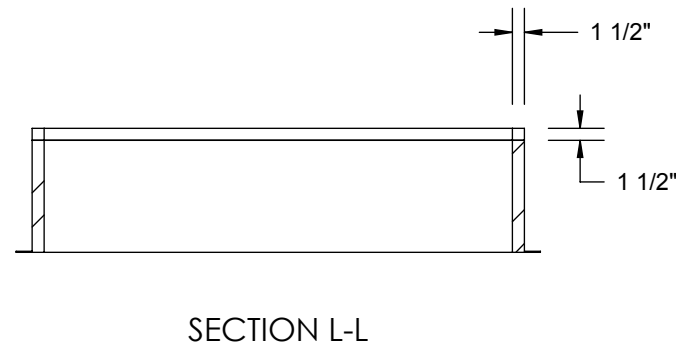
ALL DIMENSIONS ARE IN INCHES
 FRACTIONAL TOLERANCE ± 1/8"

Part weight

Drawn	BCL	Date Released	5/6/2011	Description	PACKAGED w/ GAS HEAT
Sheet	4/5		Page Title TOP DISCHARGE GA		
Scale	NTS		Rev.	3	
Drawing Number			G805-016		

NOTES:
 REFER TO SHEET 1 FOR GENERAL NOTES.
 CURBS 120" AND LESS ARE SHIPPED AS COMPLETE CURBS. GREATER THAN 120" ARE SHIPPED KNOCKED DOWN.
 NUMBER AND LOCATION OF CROSS SUPPORT(S) IS DEPENDANT UPON THE GAUGE OF MATERIAL USED TO CONSTRUCT THE CURB, DUCT SUPPORT CONFIGURATION, LENGTH OF CURB, AND WIDTH OF CURB. INSTALLATION INSTRUCTIONS INCLUDED WITH CURB SHIPMENT INDICATE THE REQUIRED POSITION FOR FIELD ASSEMBLED CURBS.

UNIT SIZE (TONS)	UNIT CABINET SIZES	GAS HEATER QTY.	TOP FLOW ROOFCURB DIMS			DOWN FLOW ROOFCURB DIMS						
			CURB P/N	WIDTH (in.)	LENGTH (in.)	CURB P/N	WIDTH (in.)	LENGTH (in.)	SUPPLY DISCHARGE (in.)			
									A	B	C (5)	D
08	36	1	CB08NPB105-XX	41 1/8	230 3/8	CB08NPC105-XX	41 1/8	230 2/5	69 5/8	16	2 3/4	19 3/4
		2	CB08NPB205-XX	41 1/6	265	CB08NPC205-XX	41 1/6	265	69 5/8	16	2 3/4	19 3/4
10		1	CB10NPB105-XX	41 1/6	230 2/5	CB10NPC105-XX	41 1/6	230 2/5	69 5/8	16	2 3/4	25 1/4
		2	CB10NPB205-XX	41 1/6	265	CB10NPC205-XX	41 1/6	265	69 5/8	16	2 3/4	19 3/4
15		1	CB15NPB105-XX	41 1/6	230 2/5	CB15NPC105-XX	41 1/6	230 2/5	69 5/8	16	2 3/4	25 1/4
		2	CB15NPB205-XX	41 1/6	265	CB15NPC205-XX	41 1/6	265	69 5/8	16	2 3/4	25 1/4
20	44	1	CB20NPB105-XX	46 5/9	265 7/9	CB20NPC105-XX	46 5/9	265 7/9	87 1/2	16	2 3/4	33 1/2
		2	CB20NPB205-XX	46 5/9	300 2/5	CB20NPC205-XX	46 5/9	300 2/5	87 1/2	16	2 3/4	33 1/2
25	50	1	CB25NPB105-XX	53 1/6	281 5/6	CB25NPC105-XX	53 1/6	281 5/6	101	16	2 3/4	39
		2	CB25NPB205-XX	53 1/6	316 4/9	CB25NPC205-XX	53 1/6	316 4/9	101	16	2 3/4	39
30		1	CB30NPB105-XX	53 1/6	315 1/2	CB30NPC105-XX	53 1/6	315 1/2	134 3/4	16	2 3/4	39
		2	CB30NPB205-XX	53 1/6	350 1/7	CB30NPC205-XX	53 1/6	350 1/7	134 3/4	16	2 3/4	39



----- DUCT CONNECTIONS FOR DOWN DISCHARGE / DOWN RETURN

Desert Aire has a policy of continuous product and quality improvement. Specifications and dimensions are subject to change without notice. This drawing and information contained herein are the exclusive property of the Desert Aire Corporation. Any use detrimental to the interests of Desert Aire is prohibited.	All Dimensions in Inches All Angles 90° All outside corners 0.125" fillet Unless Otherwise Specified	Tolerance Unless Otherwise Specified X.X ±.125 X.XX ±.060 X.XXX ±.030 Angles ±1°	N120 W18485 FREISTADT RD GERMANTOWN, WI 53022 Tel: (262) 946-7400 Fax: (262) 946-7401
ALL DIMENSIONS ARE IN INCHES FRACTIONAL TOLERANCE ± 1/8"	Third Angle Projection	Sheet: 5/5 Page Title: CURB DETAILS GA	Drawing Number: G805-016
Part weight	Scale: NTS Rev: 3	Description:	Drawing Number: