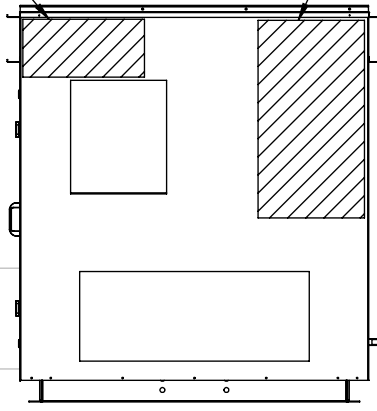


G805-015

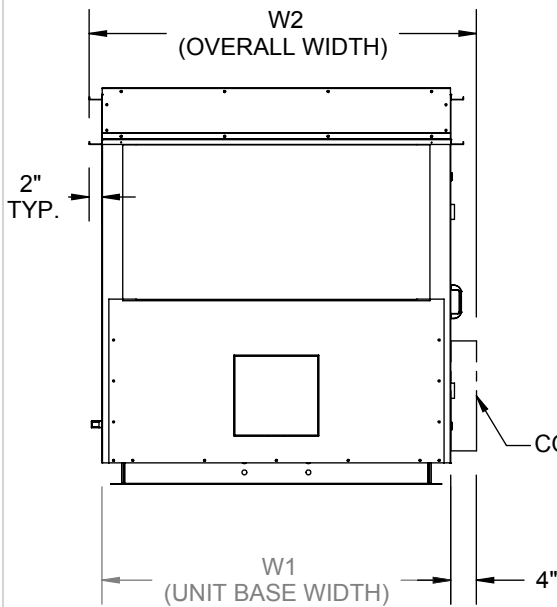
**DISCHARGE / RETURN VIEW** ②⑥⑦

PREFERRED OPTIONAL DISCONNECT LOCATION ACCESS SIDE SPACE PERMITTED  
 SECONDARY OPTIONAL DISCONNECT LOCATION NON ACCESS SIDE

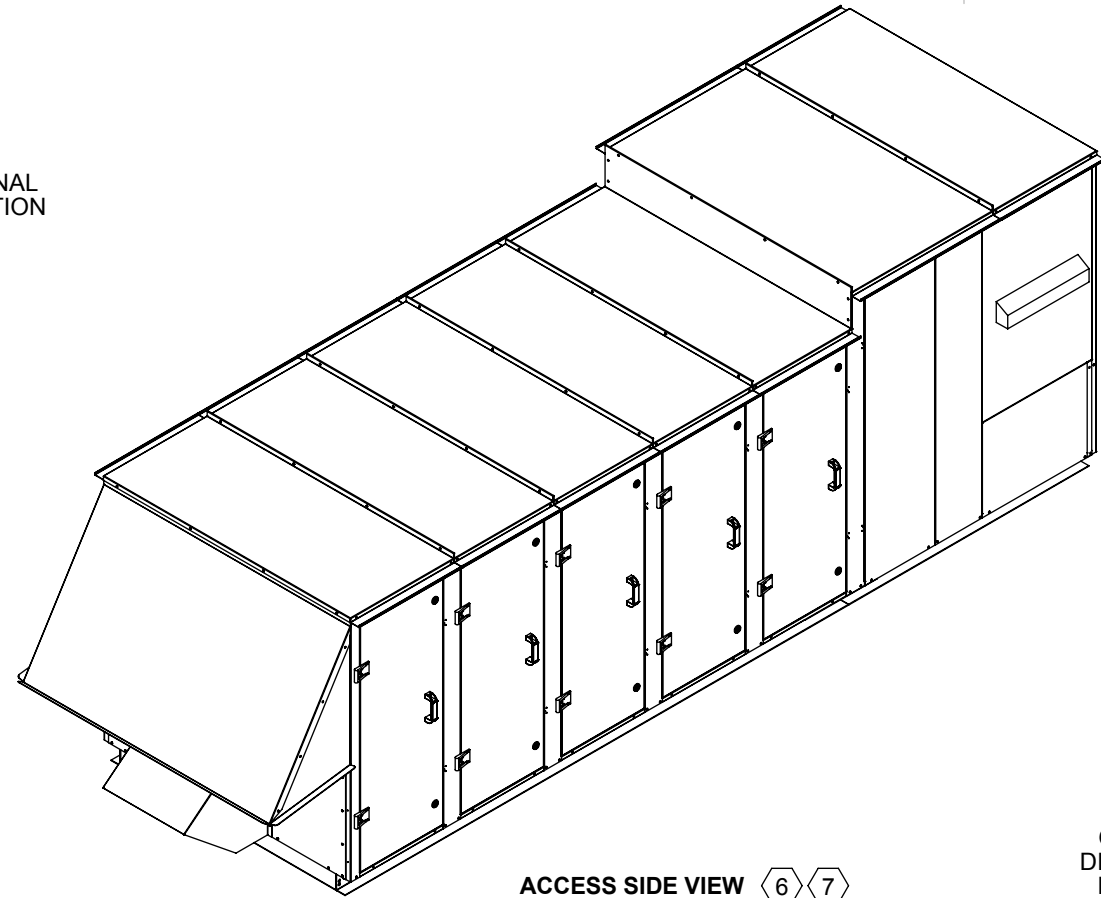


CONNECTION STUBS

**O/A INTAKE / EXHAUST VIEW** ②⑥⑦

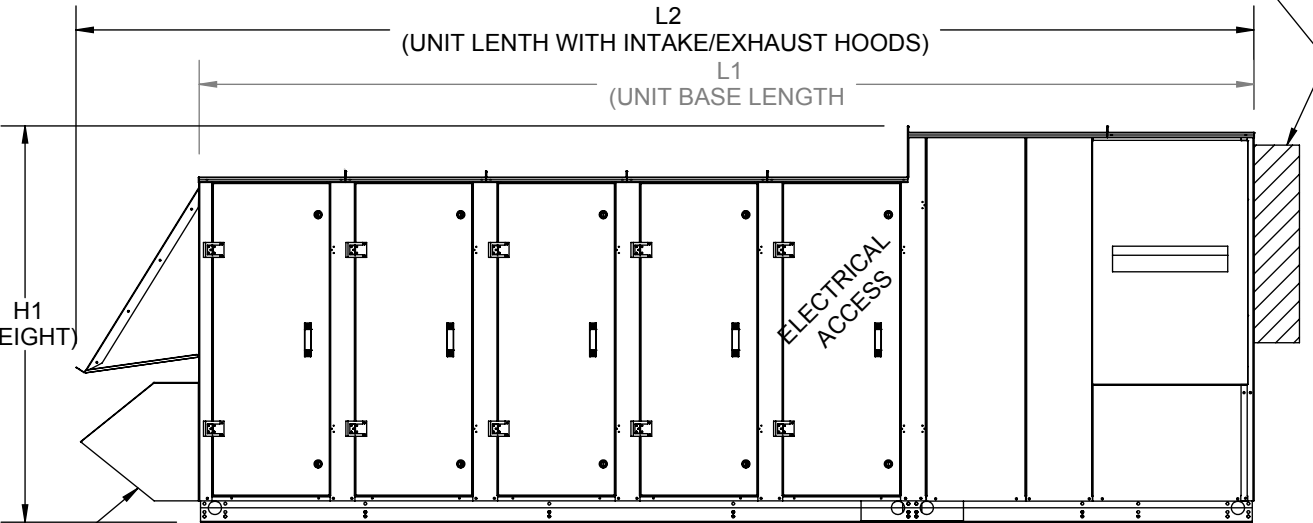


CONNECTION STUBS



**ACCESS SIDE VIEW** ⑥⑦

OPTIONAL DISCONNECT LOCATION



OUTDOOR UNITS EQUIPPED WITH INTAKE / EXHAUST HOODS

AIR FLOW	UNT SIZE (TONS)	UNT CABINET SIZES	GAS HEATER QTY.	L1	W1	H1	L2	W2
END FLOW	05	44-H	1	187	54 1/2	62 1/8	205 3/8	60 1/2
	08	50-H	1	190 3/8	61 1/8	70 3/4	213 3/4	67 1/8
	10	60-H	1	200 1/8	72 1/2	81 3/8	223 1/2	78 1/2
			2	234 3/4	72 1/2	81 3/8	258 1/8	78 1/2
	15	72-H	1	209 3/4	87 1/2	83 5/8	238 1/8	93 1/2
			2	244 3/8	87 1/2	83 5/8	272 3/4	93 1/2
	20	78-H	1	221 5/8	90 1/2	92 5/8	250 1/2	96 1/2
			2	256 1/4	90 1/2	92 5/8	285 1/8	96 1/2
	1		221 5/8	90 1/2	92 5/8	250 1/2	96 1/2	
	2		256 1/4	90 1/2	92 5/8	285 1/8	96 1/2	
	25	78-H	1	221 5/8	90 1/2	92 5/8	250 1/2	96 1/2
			2	256 1/4	90 1/2	92 5/8	285 1/8	96 1/2
	30	78-H	1	221 5/8	90 1/2	92 5/8	250 1/2	96 1/2
			2	256 1/4	90 1/2	92 5/8	285 1/8	96 1/2
DOWN FLOW	05	44-H	1	211	54 1/2	62 1/8	229 3/8	60 1/2
	08	50-H	1	214 3/8	61 1/8	70 3/4	237 3/4	67 1/8
	10	60-H	1	224 1/8	72 1/2	81 3/8	247 1/2	78 1/2
			2	258 3/4	72 1/2	81 3/8	282 1/8	78 1/2
	15	72-H	1	233 3/4	87 1/2	83 5/8	262 1/8	93 1/2
			2	268 3/8	87 1/2	83 5/8	296 3/4	93 1/2
	20	78-H	1	245 5/8	90 1/2	92 5/8	274 1/2	96 1/2
			2	280 1/4	90 1/2	92 5/8	309 1/8	96 1/2
	1		245 5/8	90 1/2	92 5/8	274 1/2	96 1/2	
	2		280 1/4	90 1/2	92 5/8	309 1/8	96 1/2	
	25	78-H	1	245 5/8	90 1/2	92 5/8	274 1/2	96 1/2
			2	280 1/4	90 1/2	92 5/8	309 1/8	96 1/2
	30	78-H	1	245 5/8	90 1/2	92 5/8	274 1/2	96 1/2
			2	280 1/4	90 1/2	92 5/8	309 1/8	96 1/2
TOP FLOW	05	44-H	1	211	54 1/2	62 1/8	229 3/8	60 1/2
	08	50-H	1	214 3/8	61 1/8	70 3/4	237 3/4	67 1/8
	10	60-H	1	224 1/8	72 1/2	81 3/8	247 1/2	78 1/2
			2	258 3/4	72 1/2	81 3/8	282 1/8	78 1/2
	15	72-H	1	233 3/4	87 1/2	83 5/8	262 1/8	93 1/2
			2	268 3/8	87 1/2	83 5/8	296 3/4	93 1/2
	20	78-H	1	245 5/8	90 1/2	92 5/8	274 1/2	96 1/2
			2	280 1/4	90 1/2	92 5/8	309 1/8	96 1/2
	1		245 5/8	90 1/2	92 5/8	274 1/2	96 1/2	
	2		280 1/4	90 1/2	92 5/8	309 1/8	96 1/2	
	25	78-H	1	245 5/8	90 1/2	92 5/8	274 1/2	96 1/2
			2	280 1/4	90 1/2	92 5/8	309 1/8	96 1/2
	30	78-H	1	245 5/8	90 1/2	92 5/8	274 1/2	96 1/2
			2	280 1/4	90 1/2	92 5/8	309 1/8	96 1/2

**GENERAL NOTES AS REFERENCED BY INDIVIDUAL SHEETS:**

- ① PORTION OF SECTIONED OR DETAILED DRAWING HAS BEEN OMITTED FOR CLARITY.
- ② HOODS OMITTED FOR CLARITY.
- ③ VIEW IS FOR PICTORAL PURPOSES. REFER TO PAGE 1 FOR UNIT TYPE SPECIFIC VIEW.
- ④ REFER TO SUBMITTAL FOR CUSTOMER CONNECTION LOCATIONS.
- ⑤ DIMENSIONS ARE TO ACCESS SIDE OF UNIT.
- ⑥ RH ACCESS SHOWN FOR DISPLAY PURPOSES. ACCESS DOOR CONFIGURATION MAY CHANGE DEPENDING ON UNIT SIZE.
- ⑦ REFER TO SHEET 3,4,5 FOR INTAKE AND DISCHARGE CONNECTION DIMENSIONS.

Desert Aire has a policy of continuous product and quality improvement. Specifications and dimensions are subject to change without notice. This drawing and information contained herein are the exclusive property of the Desert Aire Corporation. Any use detrimental to the interests of Desert Aire is prohibited.

All Dimensions in Inches  
 All Angles 90°  
 All outside corners 0.125" fillet  
 Unless Otherwise Specified

Tolerance Unless Otherwise Specified  
 X.X ±.125  
 X.XX ±.060  
 X.XXX ±.030  
 Angles ±1°

N120 W18485 FREISTADT RD  
 GERMANTOWN, WI 53022  
 Tel: (262) 946-7400  
 Fax: (262) 946-7401

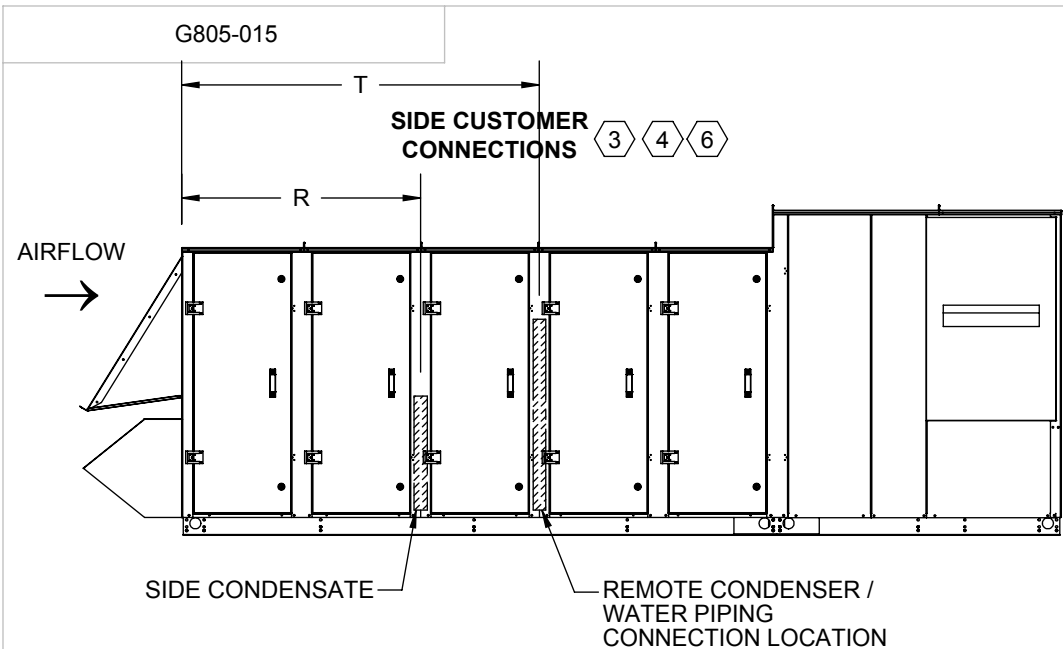


Third Angle Projection

Part weight

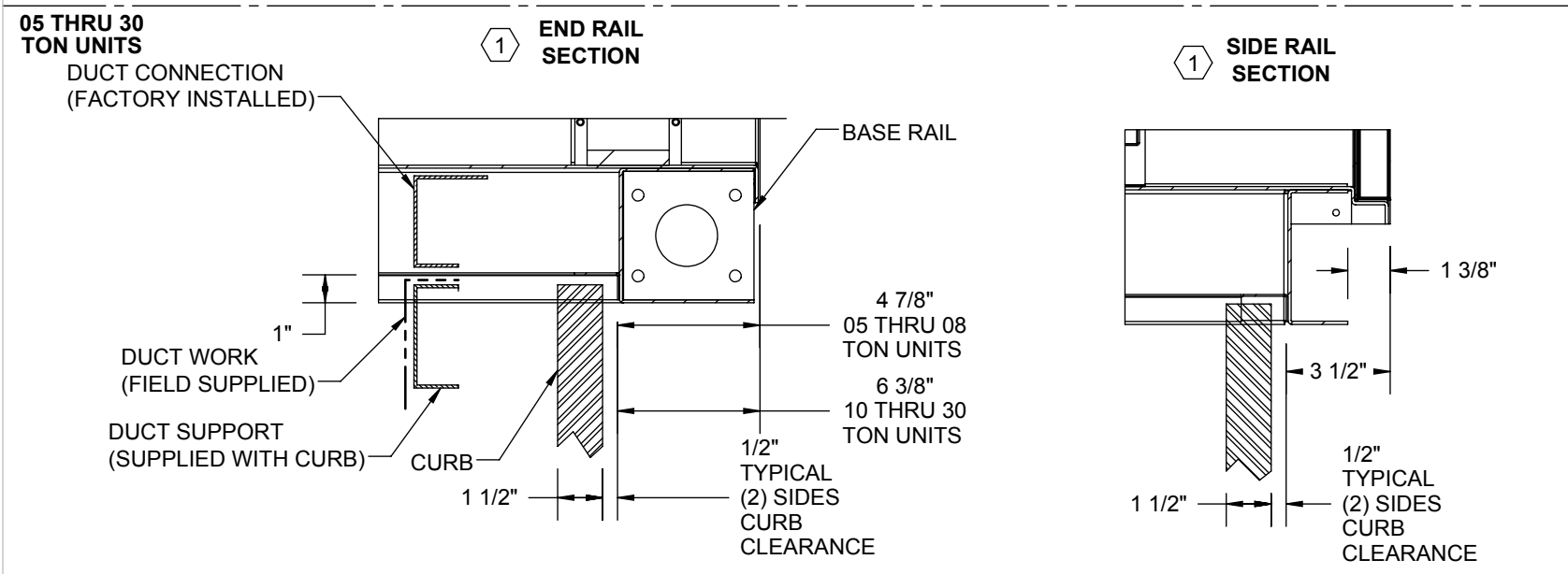
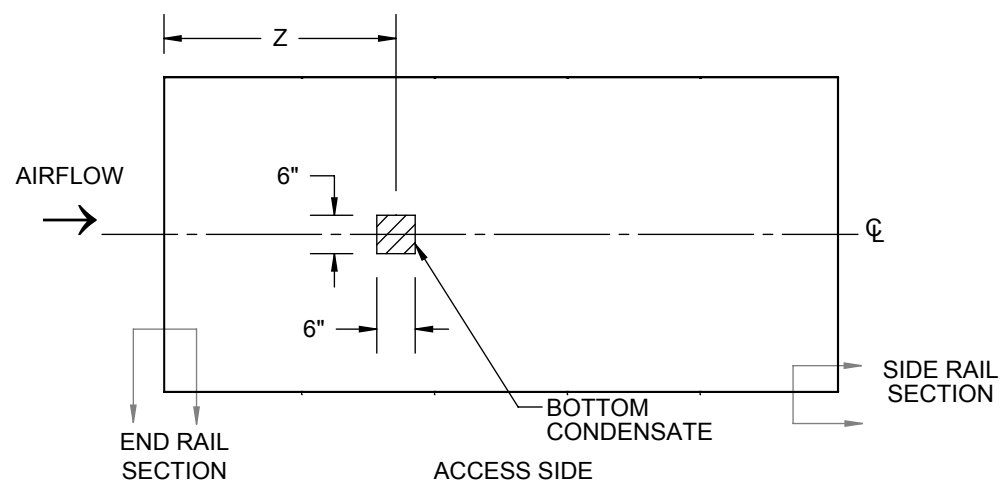
Drawn	BCL	Date Released	5/20/2011	Description	NON-PKGD RECIC w/WHL & GS HT
Sheet	1/6		Page Title GENERAL ARRANGEMENT		
Scale	NTS		Rev.	3	
Drawing Number			G805-015		

ALL DIMENSIONS ARE IN INCHES  
 FRACTIONAL TOLERANCE ± 1/8"



NOTES:  
REFER TO SHEET 1 FOR GENERAL NOTES.

**BOTTOM CUSTOMER CONNECTIONS (VIEW FROM ABOVE)** 2 3 4 5 6



AIR FLOW	UNIT SIZE (TONS)	UNIT CABINET SIZES	GAS HEATER QTY.	R	T	Z
END FLOW	05	44-H	1	67	88 7/8	67 7/8
	08	50-H	1	68 5/8	91 1/2	68
	10	60-H	1	70 1/2	94	70 3/4
			2	70 1/2	94	70 3/4
	15	72-H	1	75 3/8	100 1/2	77 3/8
			2	75 3/8	100 1/2	77 3/8
	20	78-H	1	81 1/4	108 1/4	87 3/8
			2	81 1/4	108 1/4	87 3/8
	25		1	81 1/4	108 1/4	87 3/8
			2	81 1/4	108 1/4	87 3/8
	30		1	81 1/4	108 1/4	87 3/8
			2	81 1/4	108 1/4	87 3/8
DOWN FLOW	05	44-H	1	67	88 7/8	67 7/8
	08	50-H	1	68 5/8	91 1/2	68
	10	60-H	1	70 1/2	94	70 3/4
			2	70 1/2	94	70 3/4
	15	72-H	1	75 3/8	100 1/2	77 3/8
			2	75 3/8	100 1/2	77 3/8
	20	78-H	1	81 1/4	108 1/4	87 3/8
			2	81 1/4	108 1/4	87 3/8
	25		1	81 1/4	108 1/4	87 3/8
			2	81 1/4	108 1/4	87 3/8
	30		1	81 1/4	108 1/4	87 3/8
			2	81 1/4	108 1/4	87 3/8
TOP FLOW	05	44-H	1	67	88 7/8	67 7/8
	08	50-H	1	68 5/8	91 1/2	68
	10	60-H	1	70 1/2	94	70 3/4
			2	70 1/2	94	70 3/4
	15	72-H	1	75 3/8	100 1/2	77 3/8
			2	75 3/8	100 1/2	77 3/8
	20	78-H	1	81 1/4	108 1/4	87 3/8
			2	81 1/4	108 1/4	87 3/8
	25		1	81 1/4	108 1/4	87 3/8
			2	81 1/4	108 1/4	87 3/8
	30		1	81 1/4	108 1/4	87 3/8
			2	81 1/4	108 1/4	87 3/8

CUSTOMER CONNECTION LINE SIZE SUMMARY (in.)							
Unit Size	5 TONS	8 TONS	10 TONS	15 TONS	20 TONS	25 TONS	30 TONS
RC DISCHARGE	3/4	7/8	7/8	1 1/8	1 1/8	1 1/8	1 3/8
RC RETURN	1/2	5/8	5/8	3/4	3/4	7/8	7/8
WATER INLET	1 1/8	1 3/8	1 3/8	1 5/8	2 5/8	2 5/8	2 5/8
WATER OUTLET	1 1/8	1 3/8	1 3/8	1 5/8	2 5/8	2 5/8	2 5/8
CONDENSATE	1	1	1	1	1	1	1

Desert Aire has a policy of continuous product and quality improvement. Specifications and dimensions are subject to change without notice. This drawing and information contained herein are the exclusive property of the Desert Aire Corporation. Any use detrimental to the interests of Desert Aire is prohibited.

All Dimensions in Inches  
All Angles 90°  
All outside corners 0.125" fillet  
Unless Otherwise Specified

Tolerance Unless Otherwise Specified  
X.X ±.125  
X.XX ±.060  
X.XXX ±.030  
Angles ±1°

**DESERT AIRE**  
N120 W18485 FREISTADT RD  
GERMANTOWN, WI 53022  
Tel: (262) 946-7400  
Fax: (262) 946-7401



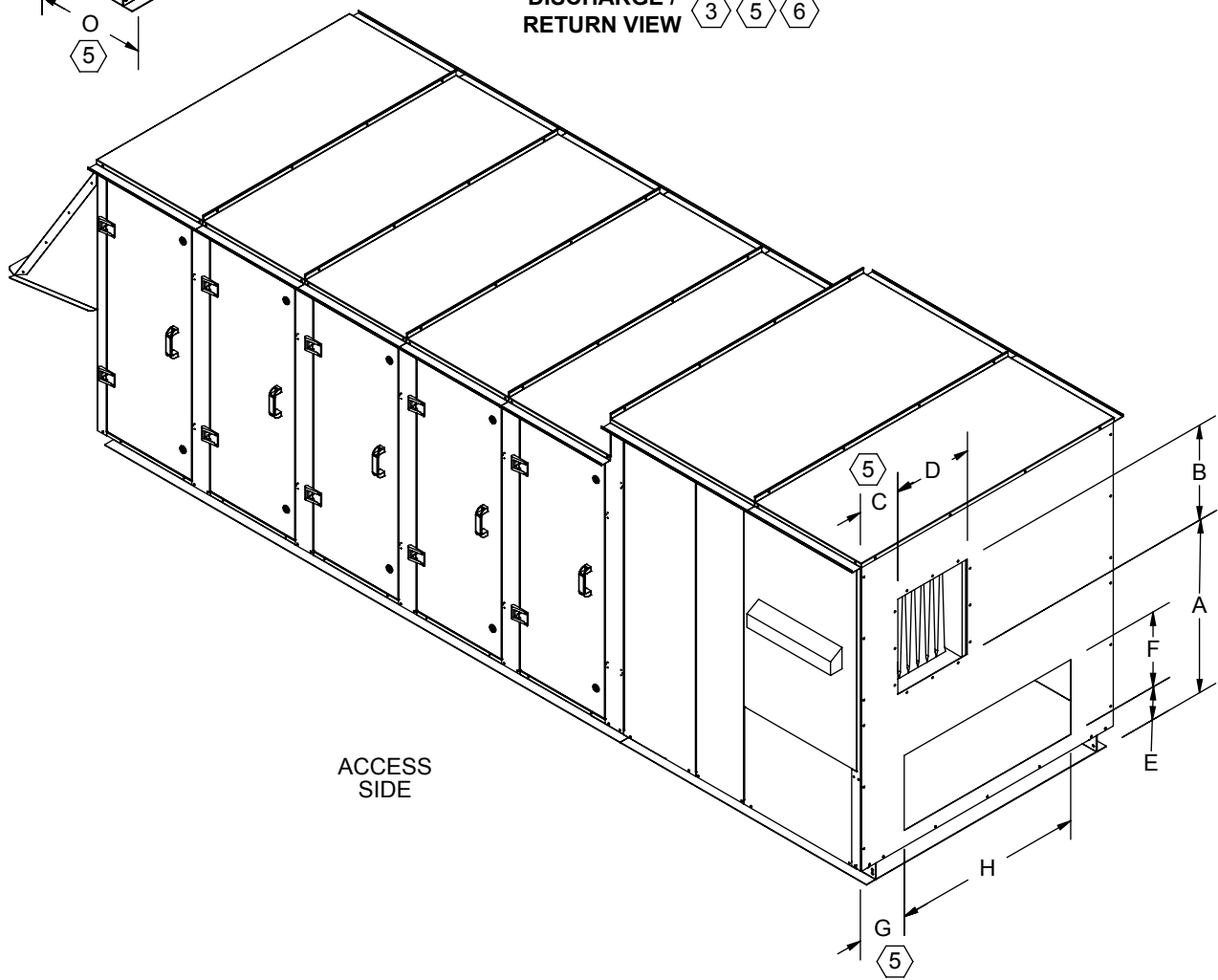
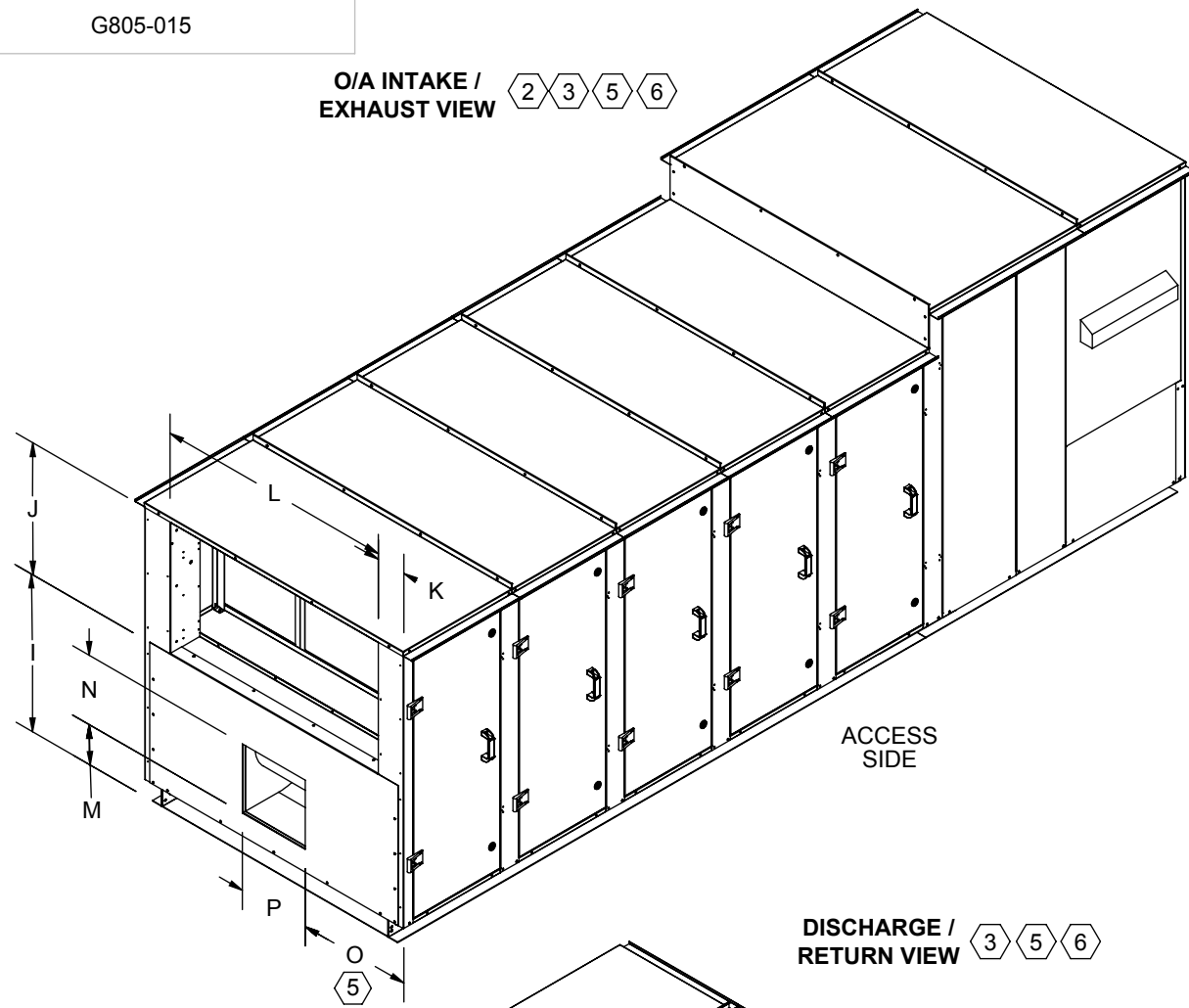
Third Angle Projection

Part weight

Drawn	BCL	Date Released	5/20/2011	Description	NON-PKGD RECIC w/WHL & GS HT
Sheet	2/6		Page Title CUSTOMER INTERFACE GA		
Scale	NTS		Rev.	3 Drawing Number G805-015	

ALL DIMENSIONS ARE IN INCHES  
FRACTIONAL TOLERANCE ± 1/8"

**NOTES:**  
 REFER TO SHEET 1 FOR GENERAL NOTES.  
 WEIGHTS SHOWN REFLECT FULLY OPTIONED ESTIMATED UNIT WEIGHT.



UNIT SIZE (TONS)	UNIT CABINET SIZES	GAS HEATER QTY.	END DISCHARGE, END RETURN							
			SUPPLY DISCHARGE (in.)				RETURN INTAKE (in.)			
			A	B	C <sup>5</sup>	D	E	F	G	H
05	44-H	1	32 1/2	17 3/4	6 5/8	26	6 3/8	14	9 3/8	35 7/8
08	50-H	1	39 1/8	17 3/4	6 5/8	34 1/4	6 3/8	20 1/2	9 3/8	42 1/2
10	60-H	1	50 3/4	17 3/4	6 5/8	34 1/4	7 7/8	30	9 3/8	53 7/8
		2	50 3/4	17 3/4	6 5/8	34 1/4	7 7/8	30	9 3/8	53 7/8
15	72-H	1	53 5/8	17 3/4	6 5/8	45 1/4	7 7/8	31 1/2	9 3/8	68 7/8
		2	53 5/8	17 3/4	6 5/8	45 1/4	7 7/8	34 1/2	9 3/8	68 7/8
20	78-H	1	53 1/2	17 3/4	6 5/8	45 1/4	7 7/8	32	9 3/8	71 7/8
		2	53 1/2	17 3/4	6 5/8	45 1/4	7 7/8	32	9 3/8	71 7/8
25	78-H	1	53 1/2	17 3/4	6 5/8	45 1/4	7 7/8	32	9 3/8	71 7/8
		2	53 1/2	17 3/4	6 5/8	45 1/4	7 7/8	32	9 3/8	71 7/8
30	78-H	1	53 1/2	17 3/4	6 5/8	45 1/4	7 7/8	32	9 3/8	71 7/8
		2	53 1/2	17 3/4	6 5/8	45 1/4	7 7/8	32	9 3/8	71 7/8

UNIT SIZE (TONS)	UNIT CABINET SIZES	GAS HEATER QTY.	CONTINUED - END DISCHARGE, END RETURN								TOTAL EST. WEIGHT (LBS)
			EXHAUST DISCHARGE (in.)				O/A INTAKE (in.)				
			M	N	O <sup>5</sup>	P	I	J	K	L	
05	44-H	1	6 1/4	11 1/2	21 1/4	12	29	30 7/8	5 1/4	43 7/8	3387
08	50-H	1	6 1/4	16	22 3/4	15 3/4	37	31 1/2	5 5/8	49 7/8	4016
10	60-H	1	7 3/4	16	26 7/8	18 3/4	43 1/2	35 5/8	6 1/4	59 7/8	5011
		2	7 3/4	16	26 7/8	18 3/4	43 1/2	35 5/8	6 1/4	59 7/8	5669
15	72-H	1	7 3/4	16	34 3/8	18 3/4	45 1/2	35 7/8	7 3/4	71 7/8	6720
		2	7 3/4	16	34 3/8	18 3/4	45 1/2	35 7/8	7 3/4	71 7/8	7452
20	78-H	1	7 3/4	28 3/8	31 1/8	28 3/8	48 1/2	41 7/8	6 1/4	77 7/8	7480
		2	7 3/4	28 3/8	31 1/8	28 3/8	48 1/2	41 7/8	6 1/4	77 7/8	8766
25	78-H	1	7 3/4	28 3/8	31 1/8	28 3/8	48 1/2	41 7/8	6 1/4	77 7/8	10807
		2	7 3/4	28 3/8	31 1/8	28 3/8	48 1/2	41 7/8	6 1/4	77 7/8	12093
30	78-H	1	7 3/4	28 3/8	31 1/8	28 3/8	48 1/2	41 7/8	6 1/4	77 7/8	10807
		2	7 3/4	28 3/8	31 1/8	28 3/8	48 1/2	41 7/8	6 1/4	77 7/8	12093

Desert Aire has a policy of continuous product and quality improvement. Specifications and dimensions are subject to change without notice. This drawing and information contained herein are the exclusive property of the Desert Aire Corporation. Any use detrimental to the interests of Desert Aire is prohibited.

All Dimensions in Inches  
 All Angles 90°  
 All outside corners 0.125" fillet  
 Unless Otherwise Specified

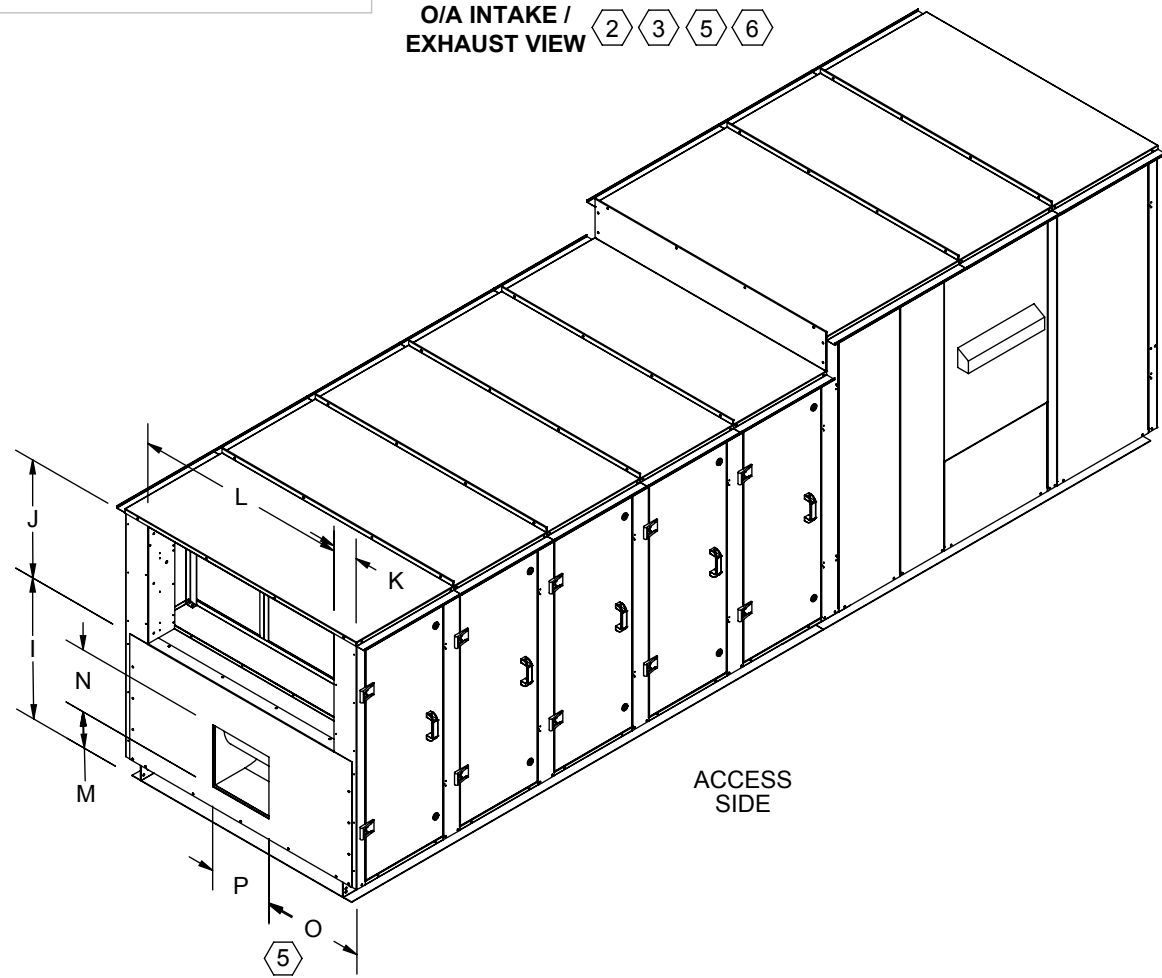
Tolerance Unless Otherwise Specified  
 X.X ±.125  
 X.XX ±.060  
 X.XXX ±.030  
 Angles ±1°

Third Angle Projection

N120 W18485 FREISTADT RD  
 GERMANTOWN, WI 53022  
 Tel: (262) 946-7400  
 Fax: (262) 946-7401

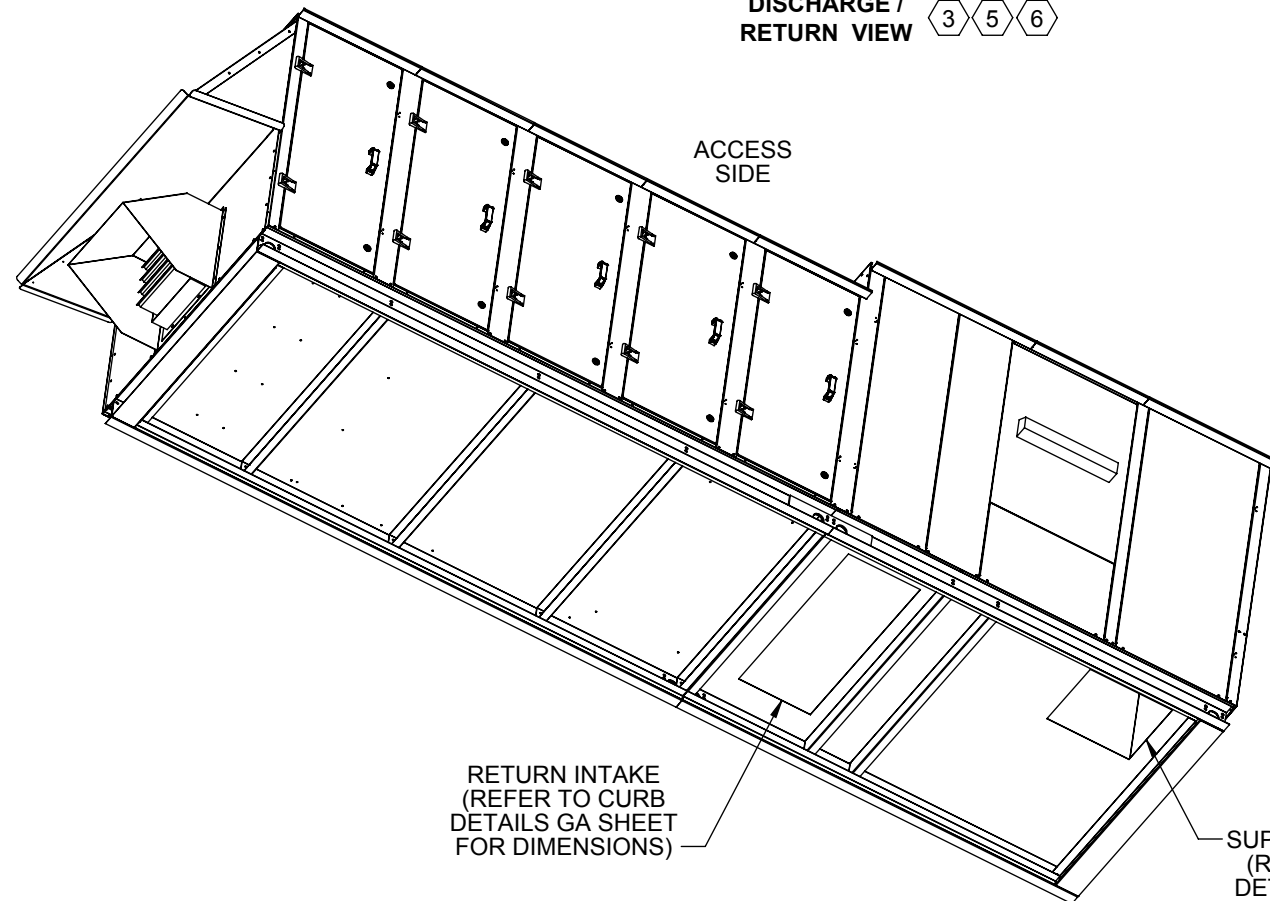
Part weight	Scale	Rev.	Drawing Number
	NTS	3	G805-015

O/A INTAKE / EXHAUST VIEW 2 3 5 6



ACCESS SIDE

DISCHARGE / RETURN VIEW 3 5 6



ACCESS SIDE

RETURN INTAKE  
(REFER TO CURB  
DETAILS GA SHEET  
FOR DIMENSIONS)

SUPPLY DISCHARGE  
(REFER TO CURB  
DETAILS GA SHEET  
FOR DIMENSIONS)

**NOTES:**  
REFER TO SHEET 1 FOR GENERAL NOTES.  
WEIGHTS SHOWN REFLECT FULLY OPTIONED  
ESTIMATED UNIT WEIGHT.  
REFER TO CURB DETAILS GA SHEET FOR SUPPLY  
DUCT DIMENSION AND LOCATIONS.

UNIT SIZE (TONS)	UNIT CABINET SIZES	GAS HEATER QTY.	DOWN DISCHARGE, DOWN RETURN								TOTAL EST. WEIGHT (LBS)
			EXHAUST DISCHARGE (in.)				O/A INTAKE (in.)				
			M	N	O <sup>5</sup>	P	I	J	K	L	
05	44-H	1	6 1/4	11 1/2	21 1/4	12	29	30 7/8	5 1/4	43 7/8	3387
08	50-H	1	6 1/4	16	22 3/4	15 3/4	37	31 1/2	5 5/8	49 7/8	4016
10	60-H	1	7 3/4	16	26 7/8	18 3/4	43 1/2	35 5/8	6 1/4	59 7/8	5011
		2	7 3/4	16	26 7/8	18 3/4	43 1/2	35 5/8	6 1/4	59 7/8	5669
15	72-H	1	7 3/4	16	34 3/8	18 3/4	45 1/2	35 7/8	7 3/4	71 7/8	6720
		2	7 3/4	16	34 3/8	18 3/4	45 1/2	35 7/8	7 3/4	71 7/8	7452
20	78-H	1	7 3/4	28 3/8	31 1/8	28 3/8	48 1/2	41 7/8	6 1/4	77 7/8	7480
		2	7 3/4	28 3/8	31 1/8	28 3/8	48 1/2	41 7/8	6 1/4	77 7/8	8766
25	78-H	1	7 3/4	28 3/8	31 1/8	28 3/8	48 1/2	41 7/8	6 1/4	77 7/8	7814
		2	7 3/4	28 3/8	31 1/8	28 3/8	48 1/2	41 7/8	6 1/4	77 7/8	9140
30	78-H	1	7 3/4	28 3/8	31 1/8	28 3/8	48 1/2	41 7/8	6 1/4	77 7/8	10807
		2	7 3/4	28 3/8	31 1/8	28 3/8	48 1/2	41 7/8	6 1/4	77 7/8	12093

Desert Aire has a policy of continuous product and quality improvement. Specifications and dimensions are subject to change without notice. This drawing and information contained herein are the exclusive property of the Desert Aire Corporation. Any use detrimental to the interests of Desert Aire is prohibited.

All Dimensions in Inches  
All Angles 90°  
All outside corners 0.125" fillet  
Unless Otherwise Specified

Tolerance Unless Otherwise Specified  
X.X ±.125  
X.XX ±.060  
X.XXX ±.030  
Angles ±1°

**DESERT AIRE**  
N120 W18485 FREISTADT RD  
GERMANTOWN, WI 53022  
Tel: (262) 946-7400  
Fax: (262) 946-7401

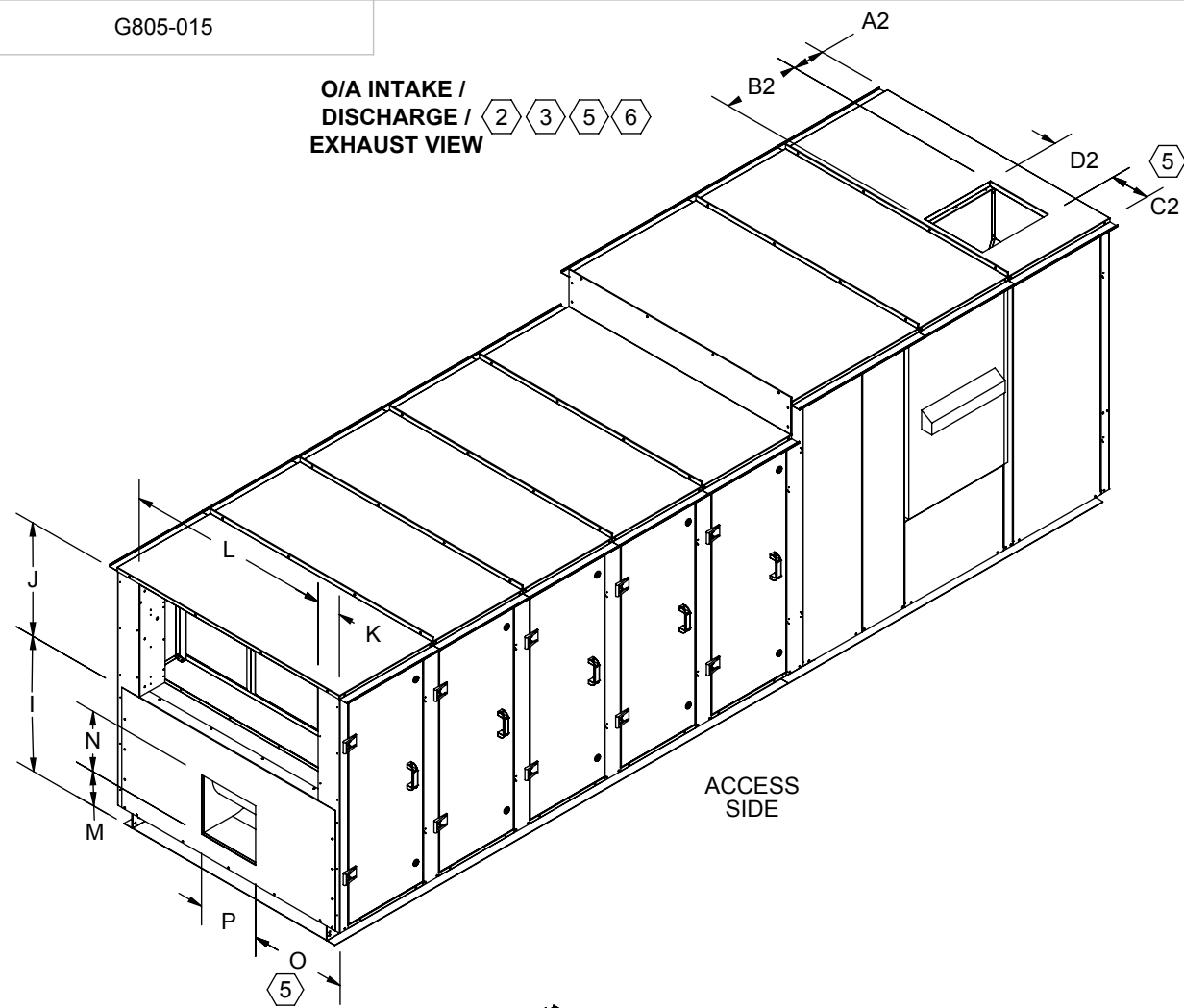


Third Angle Projection

Part weight

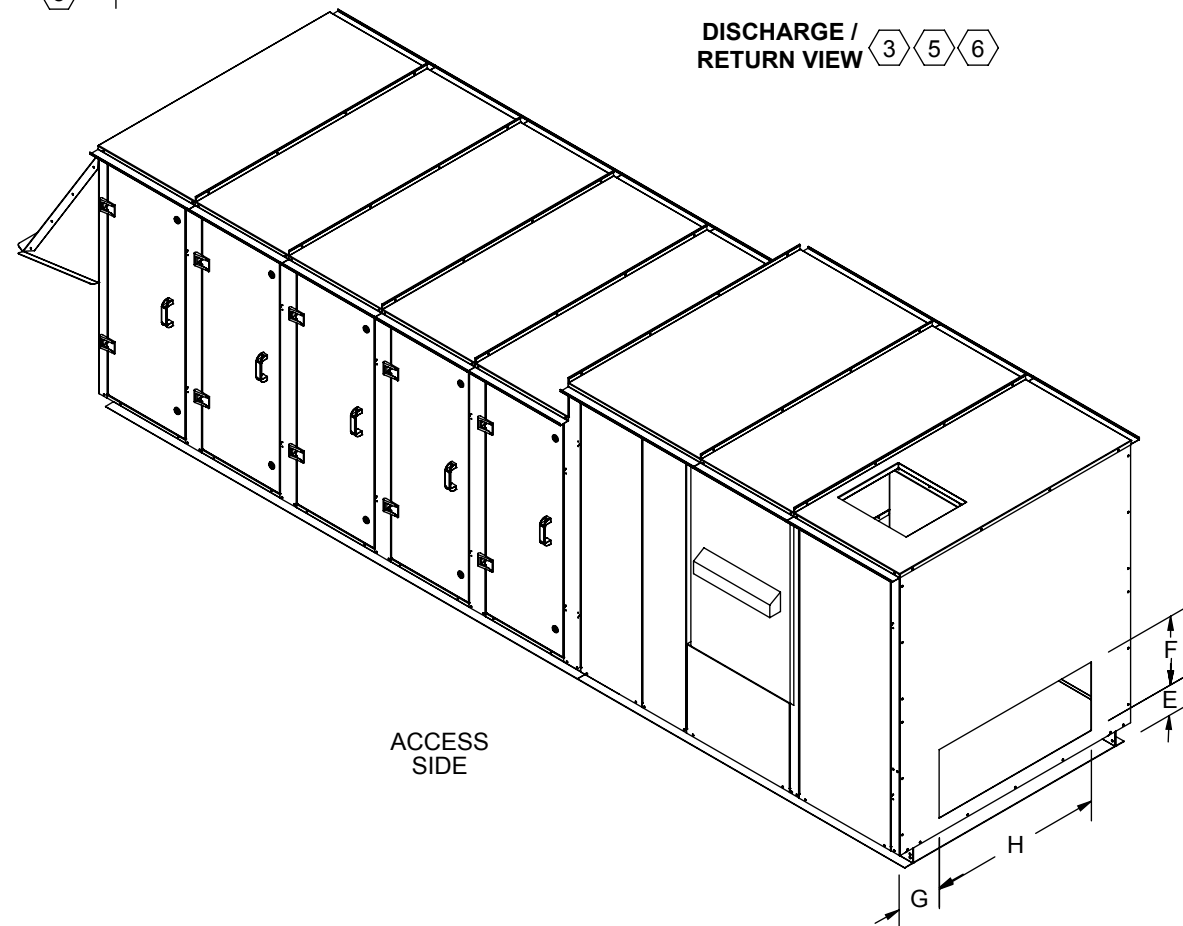
ALL DIMENSIONS ARE IN INCHES  
FRACTIONAL TOLERANCE ± 1/8"

Drawn	Date Released	Description
BCL	5/20/2011	NON-PKGD RECIC w/WHL & GS HT
Sheet	4/6	Page Title
		DOWN DISCHARGE GA
Scale	Rev.	Drawing Number
NTS	3	G805-015



**NOTES:**  
 REFER TO SHEET 1 FOR GENERAL NOTES.  
 WEIGHTS SHOWN REFLECT FULLY OPTIONED  
 ESTIMATED UNIT WEIGHT.

ACCESS  
SIDE



DISCHARGE /  
RETURN VIEW

ACCESS  
SIDE

UNIT SIZE (TONS)	UNIT CABINET SIZES	GAS HEATER QTY.	TOP DISCHARGE, END RETURN							
			SUPPLY DISCHARGE (in.)				RETURN INTAKE (in.)			
			A2	B2	C2 <sup>5</sup>	D2	E	F	G	H
05	44-H	1	1 1/4	16	7 1/8	25 1/4	6 3/8	14	9 3/8	35 7/8
08	50-H	1	1 1/4	16	7 1/8	33 1/2	6 3/8	20 1/2	9 3/8	42 1/2
10	60-H	1	1 1/4	16	7 1/8	33 1/2	7 7/8	30	9 3/8	53 7/8
		2	1 1/4	16	7 1/8	33 1/2	7 7/8	30	9 3/8	53 7/8
15	72-H	1	1 1/4	16	7 1/8	44 1/2	7 7/8	31 1/2	9 3/8	68 7/8
		2	1 1/4	16	7 1/8	44 1/2	7 7/8	34 1/2	9 3/8	68 7/8
20	78-H	1	1 1/4	16	7 1/8	44 1/2	7 7/8	32	9 3/8	71 7/8
		2	1 1/4	16	7 1/8	44 1/2	7 7/8	32	9 3/8	71 7/8
25	78-H	1	1 1/4	16	7 1/8	44 1/2	7 7/8	32	9 3/8	71 7/8
		2	1 1/4	16	7 1/8	44 1/2	7 7/8	32	9 3/8	71 7/8
30	78-H	1	1 1/4	16	7 1/8	44 1/2	7 7/8	32	9 3/8	71 7/8
		2	1 1/4	16	7 1/8	44 1/2	7 7/8	32	9 3/8	71 7/8

UNIT SIZE (TONS)	UNIT CABINET SIZES	GAS HEATER QTY.	CONTINUED - TOP DISCHARGE, END RETURN								TOTAL EST. WEIGHT (LBS)
			EXHAUST DISCHARGE (in.)				O/A INTAKE (in.)				
			M	N	O <sup>5</sup>	P	I	J	K	L	
05	44-H	1	6 1/4	11 1/2	21 1/4	12	29	30 7/8	5 1/4	43 7/8	3387
08	50-H	1	6 1/4	16	22 3/4	15 3/4	37	31 1/2	5 5/8	49 7/8	4016
10	60-H	1	7 3/4	16	26 7/8	18 3/4	43 1/2	35 5/8	6 1/4	59 7/8	5011
		2	7 3/4	16	26 7/8	18 3/4	43 1/2	35 5/8	6 1/4	59 7/8	5669
15	72-H	1	7 3/4	16	34 3/8	18 3/4	45 1/2	35 7/8	7 3/4	71 7/8	6720
		2	7 3/4	16	34 3/8	18 3/4	45 1/2	35 7/8	7 3/4	71 7/8	7452
20	78-H	1	7 3/4	28 3/8	31 1/8	28 3/8	48 1/2	41 7/8	6 1/4	77 7/8	7480
		2	7 3/4	28 3/8	31 1/8	28 3/8	48 1/2	41 7/8	6 1/4	77 7/8	8766
25	78-H	1	7 3/4	28 3/8	31 1/8	28 3/8	48 1/2	41 7/8	6 1/4	77 7/8	7814
		2	7 3/4	28 3/8	31 1/8	28 3/8	48 1/2	41 7/8	6 1/4	77 7/8	9140
30	78-H	1	7 3/4	28 3/8	31 1/8	28 3/8	48 1/2	41 7/8	6 1/4	77 7/8	10807
		2	7 3/4	28 3/8	31 1/8	28 3/8	48 1/2	41 7/8	6 1/4	77 7/8	12093

Desert Aire has a policy of continuous product and quality improvement. Specifications and dimensions are subject to change without notice. This drawing and information contained herein are the exclusive property of the Desert Aire Corporation. Any use detrimental to the interests of Desert Aire is prohibited.

All Dimensions in Inches  
 All Angles 90°  
 All outside corners 0.125" fillet  
 Unless Otherwise Specified

Tolerance Unless Otherwise Specified  
 X.X ±.125  
 X.XX ±.060  
 X.XXX ±.030  
 Angles ±1°



N120 W18485 FREISTADT RD  
 GERMANTOWN, WI 53022  
 Tel: (262) 946-7400  
 Fax: (262) 946-7401

Third Angle Projection

Drawn BCL Date Released 5/20/2011

Description NON-PKGD RECIC w/WHL & GS HT

ALL DIMENSIONS ARE IN INCHES  
 FRACTIONAL TOLERANCE ± 1/8"

Part weight

Sheet 5/6

Page Title TOP DISCHARGE GA

Scale NTS Rev. 3

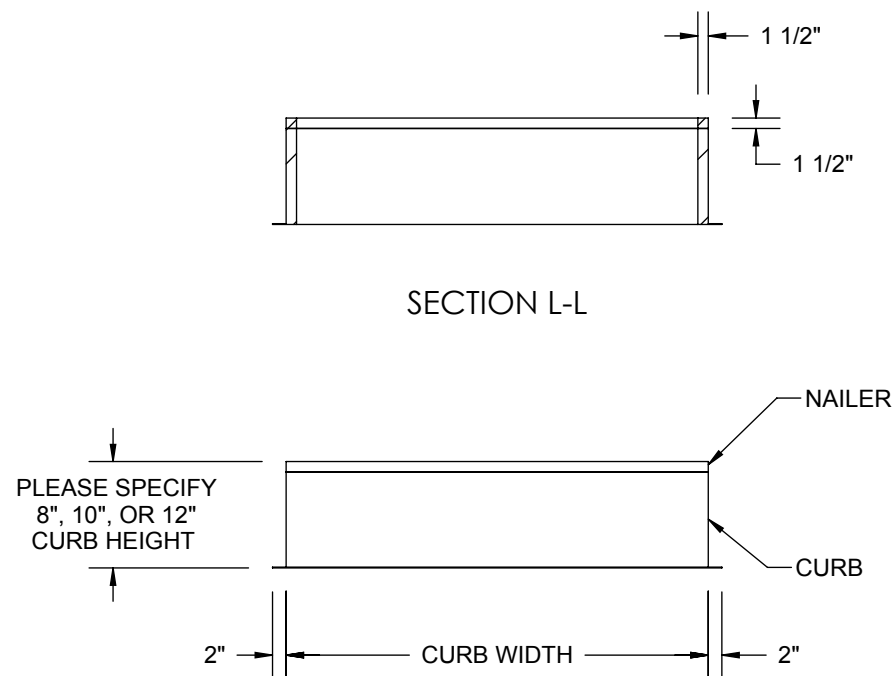
Drawing Number G805-015

**NOTES:**  
REFER TO SHEET 1 FOR GENERAL NOTES.

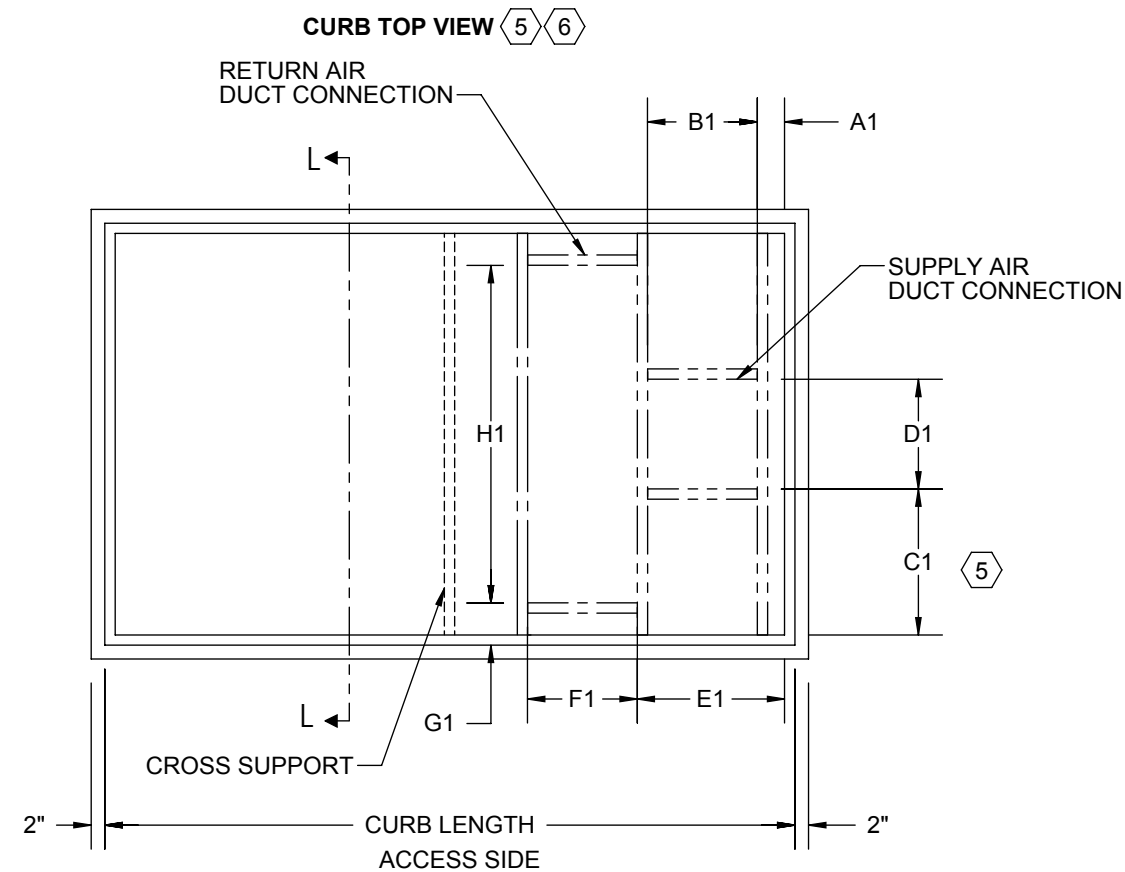
CURBS 120" AND LESS ARE SHIPPED AS COMPLETE CURBS. GREATER THAN 120" ARE SHIPPED KNOCKED DOWN.

NUMBER AND LOCATION OF CROSS SUPPORT(S) IS DEPENDANT UPON THE GAUGE OF MATERIAL USED TO CONSTRUCT THE CURB, DUCT SUPPORT CONFIGURATION, LENGTH OF CURB, AND WIDTH OF CURB. INSTALLATION INSTRUCTIONS INCLUDED WITH CURB SHIPMENT INDICATE THE REQUIRED POSITION FOR FIELD ASSEMBLED CURBS.

5



AIRFLOW  
→



DUCT CONNECTIONS FOR DOWN DISCHARGE

Desert Aire has a policy of continuous product and quality improvement. Specifications and dimensions are subject to change without notice. This drawing and information contained herein are the exclusive property of the Desert Aire Corporation. Any use detrimental to the interests of Desert Aire is prohibited.	All Dimensions in Inches All Angles 90° All outside corners 0.125" fillet Unless Otherwise Specified	Tolerance Unless Otherwise Specified X.X ±.125 X.XX ±.060 X.XXX ±.030 Angles ±1°	N120 W18485 FREISTADT RD GERMANTOWN, WI 53022 Tel: (262) 946-7400 Fax: (262) 946-7401
ALL DIMENSIONS ARE IN INCHES FRACTIONAL TOLERANCE ± 1/8"	Third Angle Projection	Sheet: 6/6 Page Title: CURB DETAILS GA	Drawing Number: G805-015
Part weight	Scale: NTS Rev: 3	Drawing Number: G805-015	Drawing Number: G805-015