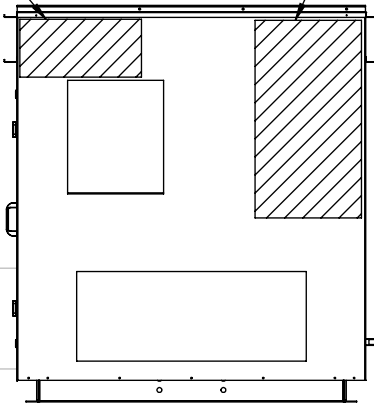


G805-014

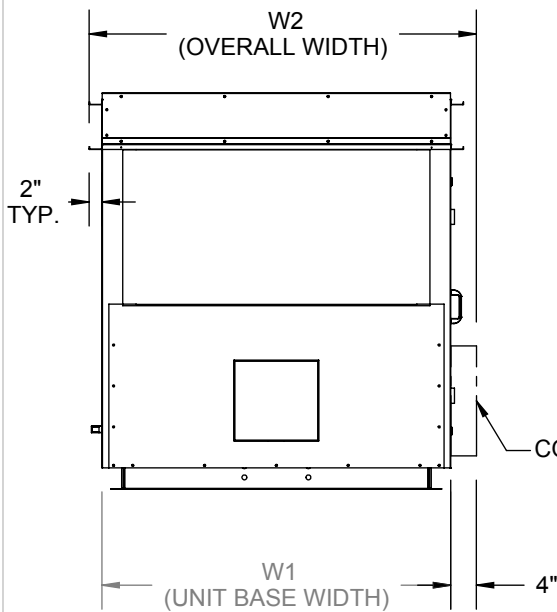
DISCHARGE / RETURN VIEW ②⑥⑦

PREFERRED OPTIONAL DISCONNECT LOCATION ACCESS SIDE SPACE PERMITTED
 SECONDARY OPTIONAL DISCONNECT LOCATION NON ACCESS SIDE

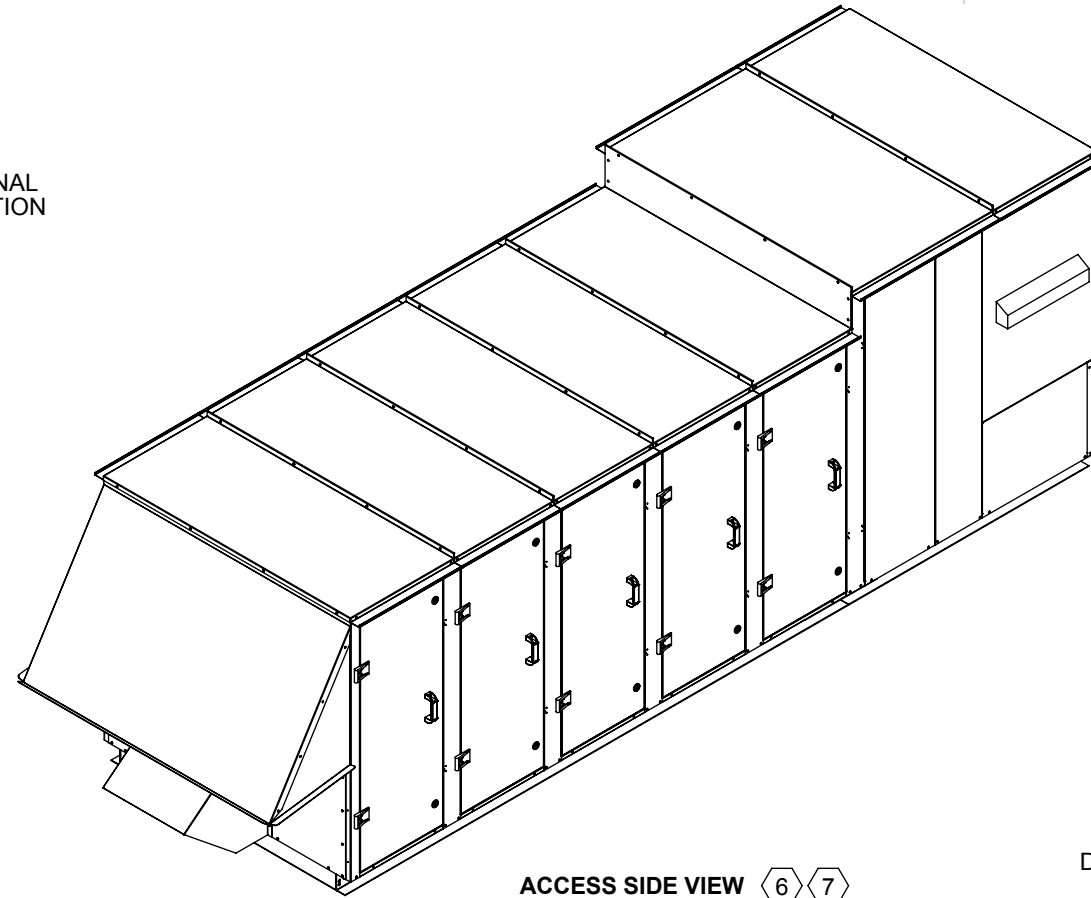


CONNECTION STUBS

O/A INTAKE / EXHAUST VIEW ②⑥⑦

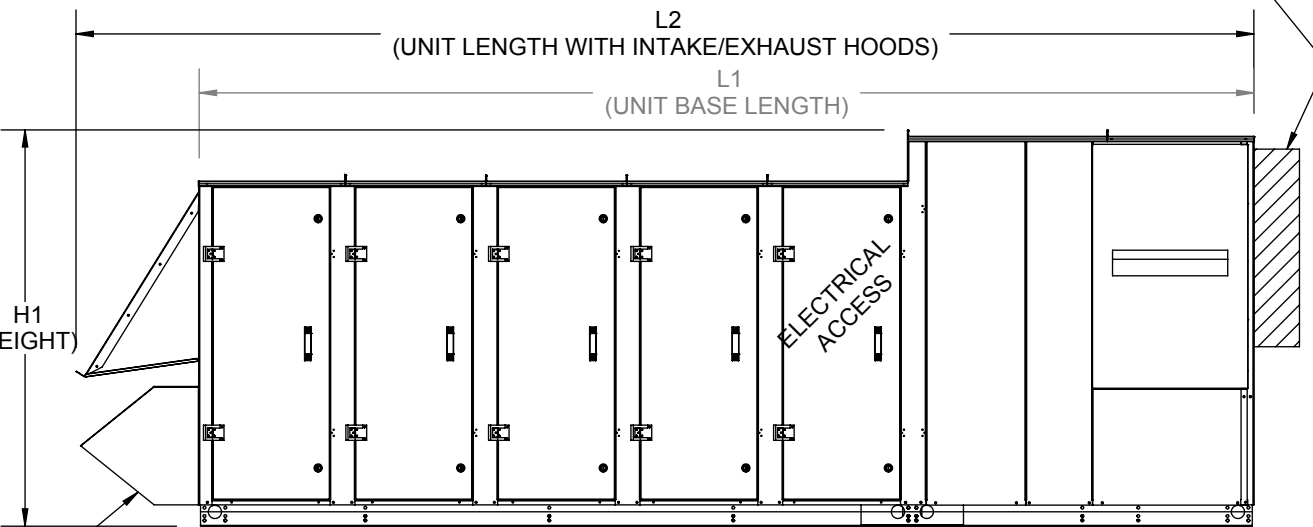


CONNECTION STUBS



ACCESS SIDE VIEW ⑥⑦

OPTIONAL DISCONNECT LOCATION



OUTDOOR UNITS EQUIPPED WITH INTAKE / EXHAUST HOODS

AIR FLOW	UNIT SIZE (TONS)	UNIT CABINET SIZES	GAS HEATER QTY.	L1	W1	H1	L2	W2
END FLOW	05	44-H	1	165	54 1/2	62 1/8	183 3/8	60 1/2
	08	50-H	1	167 1/2	61 1/8	70 3/4	190 7/8	67 1/8
	10	60-H	1	176 1/2	72 1/2	81 3/8	200	78 1/2
			2	211 1/8	72 1/2	81 3/8	234 1/2	78 1/2
	15	72-H	1	184 1/2	87 1/2	83 5/8	213	93 1/2
			2	219 1/8	87 1/2	83 5/8	247 1/2	93 1/2
	20	78-H	1	194 1/2	90 1/2	92 5/8	223 3/8	96 1/2
			2	229 1/8	90 1/2	92 5/8	258	96 1/2
	25		1	194 1/2	90 1/2	92 5/8	223 3/8	96 1/2
				229 1/8	90 1/2	92 5/8	258	96 1/2
	30		1	194 1/2	90 1/2	92 5/8	223 3/8	96 1/2
				229 1/8	90 1/2	92 5/8	258	96 1/2
DOWN FLOW	05	44-H	1	189	54 1/2	62 1/8	207 3/8	60 1/2
	08	50-H	1	191 1/2	61 1/8	70 3/4	214 7/8	67 1/8
	10	60-H	1	200 1/2	72 1/2	81 3/8	224	78 1/2
			2	235 1/8	72 1/2	81 3/8	258 1/2	78 1/2
	15	72-H	1	208 1/2	87 1/2	83 5/8	237	93 1/2
			2	243 1/8	87 1/2	83 5/8	271 1/2	93 1/2
	20	78-H	1	218 1/2	90 1/2	92 5/8	247 3/8	96 1/2
			2	253 1/8	90 1/2	92 5/8	282	96 1/2
	25		1	218 1/2	90 1/2	92 5/8	247 3/8	96 1/2
				253 1/8	90 1/2	92 5/8	282	96 1/2
	30		1	218 1/2	90 1/2	92 5/8	247 3/8	96 1/2
				253 1/8	90 1/2	92 5/8	282	96 1/2
TOP FLOW	05	44-H	1	189	54 1/2	62 1/8	207 3/8	60 1/2
	08	50-H	1	191 1/2	61 1/8	70 3/4	214 7/8	67 1/8
	10	60-H	1	200 1/2	72 1/2	81 3/8	224	78 1/2
			2	235 1/8	72 1/2	81 3/8	258 1/2	78 1/2
	15	72-H	1	208 1/2	87 1/2	83 5/8	237	93 1/2
			2	243 1/8	87 1/2	83 5/8	271 1/2	93 1/2
	20	78-H	1	218 1/2	90 1/2	92 5/8	247 3/8	96 1/2
			2	253 1/8	90 1/2	92 5/8	282	96 1/2
	25		1	218 1/2	90 1/2	92 5/8	247 3/8	96 1/2
				253 1/8	90 1/2	92 5/8	282	96 1/2
	30		1	218 1/2	90 1/2	92 5/8	247 3/8	96 1/2
				253 1/8	90 1/2	92 5/8	282	96 1/2

GENERAL NOTES AS REFERENCED BY INDIVIDUAL SHEETS:

- ① PORTION OF SECTIONED OR DETAILED DRAWING HAS BEEN OMITTED FOR CLARITY.
- ② HOODS OMITTED FOR CLARITY.
- ③ VIEW IS FOR PICTORAL PURPOSES. REFER TO PAGE 1 FOR UNIT TYPE SPECIFIC VIEW.
- ④ REFER TO SUBMITTAL FOR CUSTOMER CONNECTION LOCATIONS.
- ⑤ DIMENSIONS ARE TO ACCESS SIDE OF UNIT.
- ⑥ RH ACCESS SHOWN FOR DISPLAY PURPOSES. ACCESS DOOR CONFIGURATION MAY CHANGE DEPENDING ON UNIT SIZE.
- ⑦ REFER TO SHEET 3,4,5 FOR INTAKE AND DISCHARGE CONNECTION DIMENSIONS.

Desert Aire has a policy of continuous product and quality improvement. Specifications and dimensions are subject to change without notice. This drawing and information contained herein are the exclusive property of the Desert Aire Corporation. Any use detrimental to the interests of Desert Aire is prohibited.

All Dimensions in Inches
 All Angles 90°
 All outside corners 0.125" fillet
 Unless Otherwise Specified

Tolerance Unless Otherwise Specified
 X.X ±.125
 X.XX ±.060
 X.XXX ±.030
 Angles ±1°

N120 W18485 FREISTADT RD
 GERMANTOWN, WI 53022
 Tel: (262) 946-7400
 Fax: (262) 946-7401

Third Angle Projection

Part weight

Scale: NTS

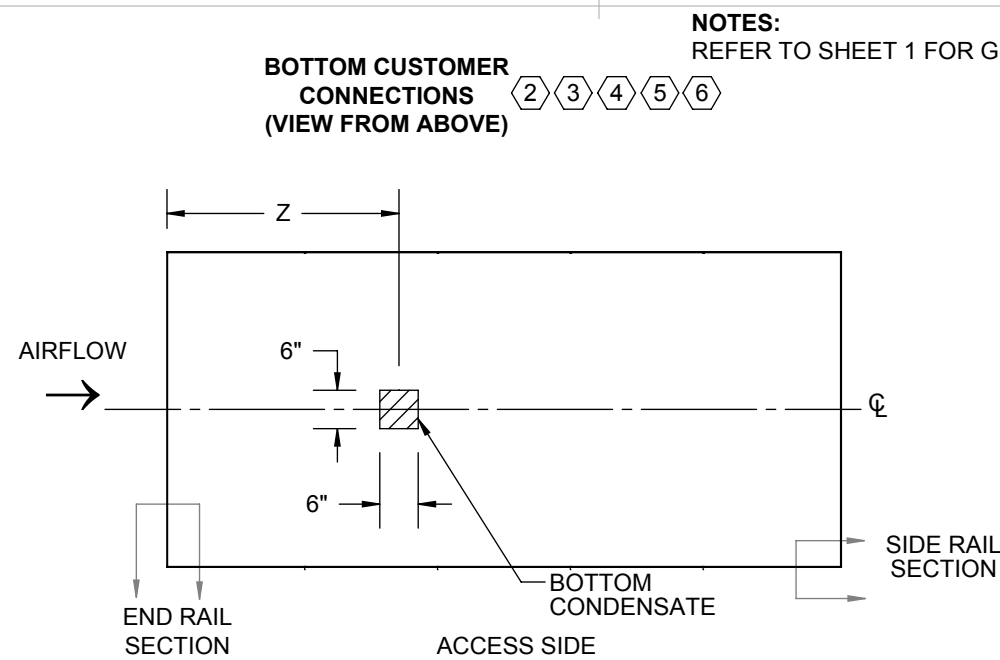
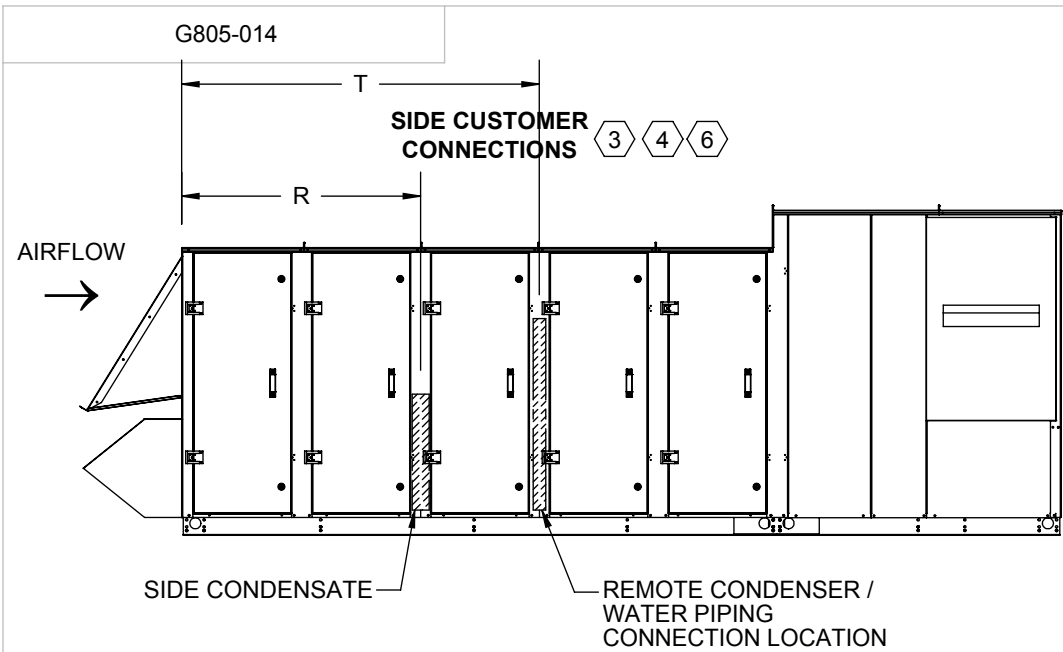
Rev. 3

Drawn: BCL, Date Released: 5/18/2011, Description: NON-PKGD w/WHL & GAS HEAT

Sheet: 1/6, Page Title: GENERAL ARRANGEMENT

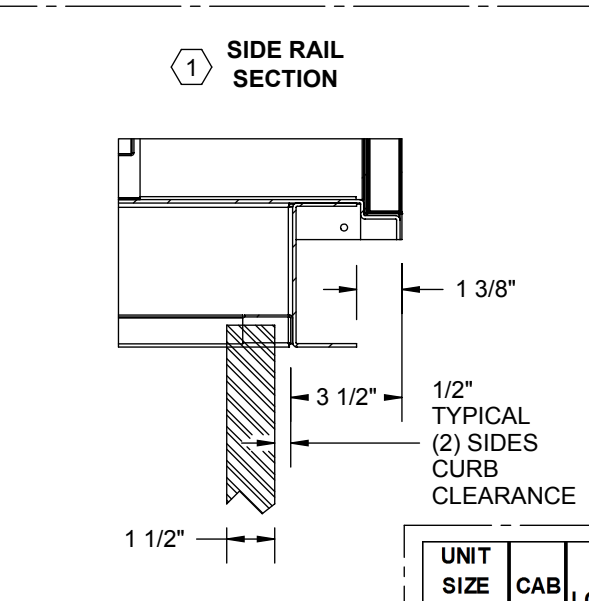
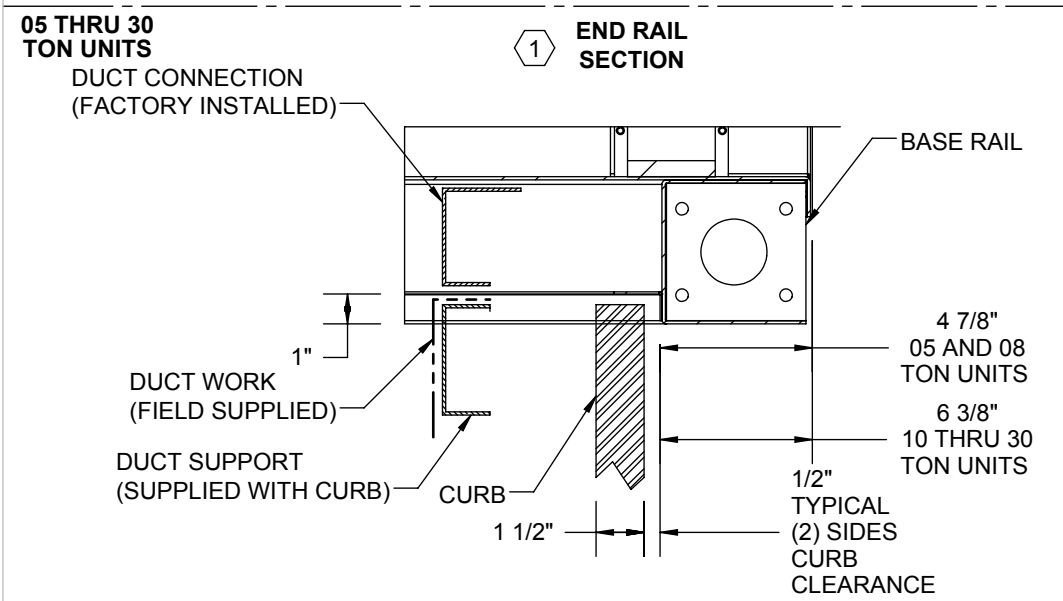
Drawing Number: G805-014

ALL DIMENSIONS ARE IN INCHES
 FRACTIONAL TOLERANCE 1/8"



NOTES:
REFER TO SHEET 1 FOR GENERAL NOTES.

AIR FLOW	UNIT SIZE (TONS)	UNIT CABINET SIZES	GAS HEATER QTY.	R	T	Z
END FLOW	05	44-H	1	67	67	54 7/8
	08	50-H	1	68 5/8	68 5/8	55 3/4
	10	60-H	1	70 1/2	70 1/2	57
			2	70 1/2	70 1/2	57
	15	72-H	1	75 3/8	75 3/8	60 1/4
			2	75 3/8	75 3/8	60 1/4
DOWN FLOW	20	78-H	1	81 1/4	81 1/4	69 7/8
	25		2	81 1/4	81 1/4	69 7/8
			1	81 1/4	81 1/4	69 7/8
	30		2	81 1/4	81 1/4	69 7/8
			1	81 1/4	81 1/4	69 7/8
	TOP FLOW		05	44-H	1	67
08		50-H	1	68 5/8	68 5/8	55 3/4
10		60-H	1	70 1/2	70 1/2	57
			2	70 1/2	70 1/2	57
15		72-H	1	75 3/8	75 3/8	60 1/4
			2	75 3/8	75 3/8	60 1/4
DOWN FLOW	20	78-H	1	81 1/4	81 1/4	69 7/8
	25		2	81 1/4	81 1/4	69 7/8
			1	81 1/4	81 1/4	69 7/8
	30		2	81 1/4	81 1/4	69 7/8
			1	81 1/4	81 1/4	69 7/8



UNIT SIZE (TONS)	CAB	FILTER LOCATION	DA PART #			NOM W	NOM H	TOTAL QTY
			4" MERV	4" MERV	2" PRE			
5	44-H	S & E	870-056	870-133	870-057	18	24	6
8	50-H	S & E	870-041	870-131	870-043	20	24	6
10	60-H	S & E	870-012	870-130	870-009	24	24	6
		SUPPLY	870-030	870-135	870-015	16	25	3
15	72-H	SUPPLY	870-011	870-134	870-016	20	25	2
		EXHAUST	870-030	870-135	870-015	16	25	2
		EXHAUST	870-028	870-128	870-022	16	20	6
20-30	78-H	SUPPLY	870-010	870-129	870-005	20	20	4
		SUPPLY	870-011	870-134	870-016	20	25	4
		EXHAUST	870-030	870-135	870-015	16	25	4
		EXHAUST	870-028	870-128	870-022	16	20	4

Unit Size	5 TONS	8 TONS	10 TONS	15 TONS	20 TONS	25 TONS	30 TONS
RC DISCHARGE	3/4	7/8	7/8	1 1/8	1 1/8	1 1/8	1 3/8
RC RETURN	1/2	5/8	5/8	3/4	3/4	7/8	7/8
WATER INLET	1 1/8	1 3/8	1 3/8	1 5/8	2 5/8	2 5/8	2 5/8
WATER OUTLET	1 1/8	1 3/8	1 3/8	1 5/8	2 5/8	2 5/8	2 5/8
CONDENSATE	1	1	1	1	1	1	1

Desert Aire has a policy of continuous product and quality improvement. Specifications and dimensions are subject to change without notice. This drawing and information contained herein are the exclusive property of the Desert Aire Corporation. Any use detrimental to the interests of Desert Aire is prohibited.

All Dimensions in Inches
All Angles 90°
All outside corners 0.125" fillet
Unless Otherwise Specified



Third Angle Projection
Part weight

Tolerance Unless Otherwise Specified
X.X ±.125
X.XX ±.060
X.XXX ±.030
Angles ±1°

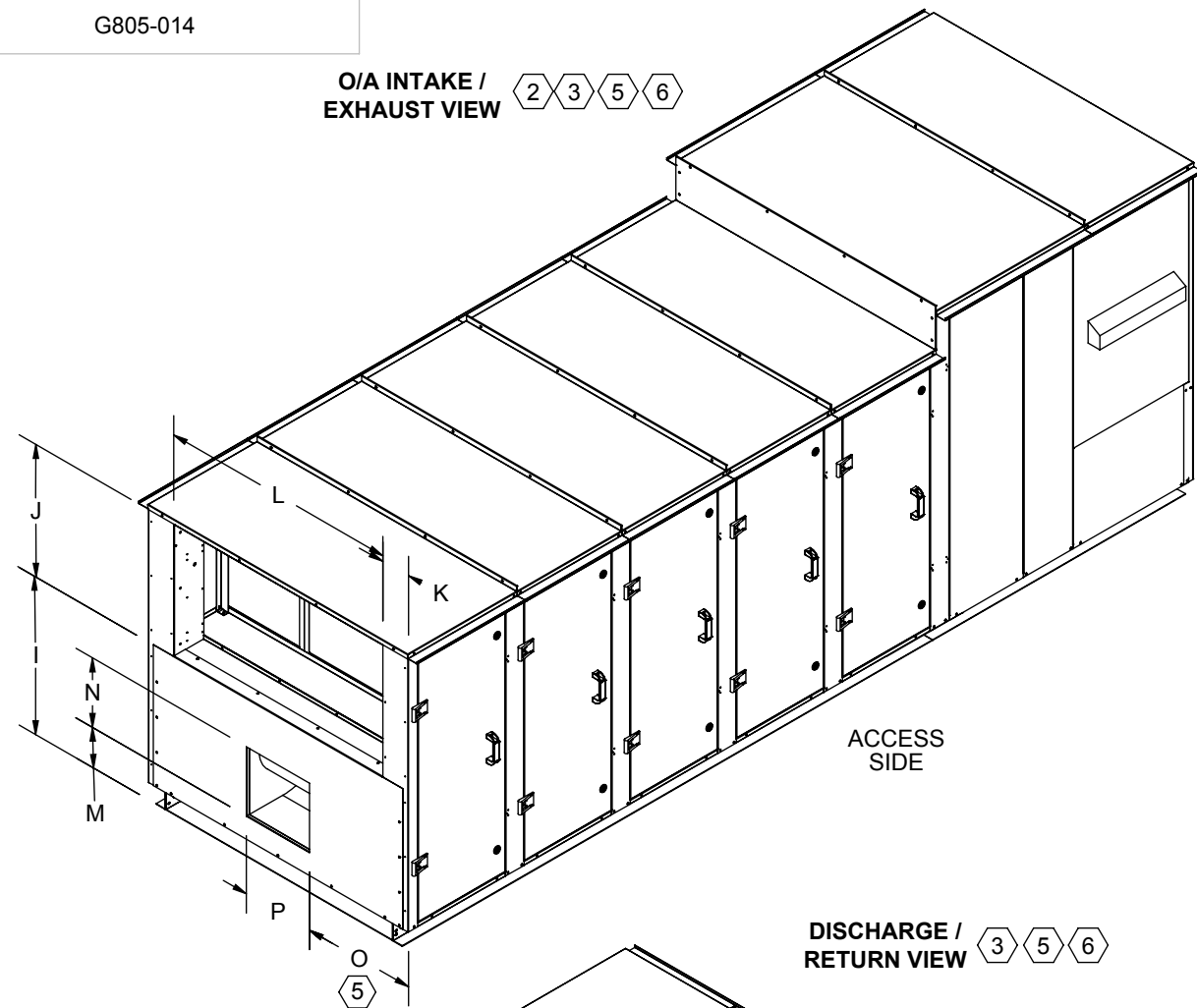
N120 W18485 FREISTADT RD
GERMANTOWN, WI 53022
Tel: (262) 946-7400
Fax: (262) 946-7401

Drawn BCL Date Released 5/18/2011 Description NON-PKGD w/WHL & GAS HEAT

Sheet 2/6 Page Title CUSTOMER INTERFACE GA

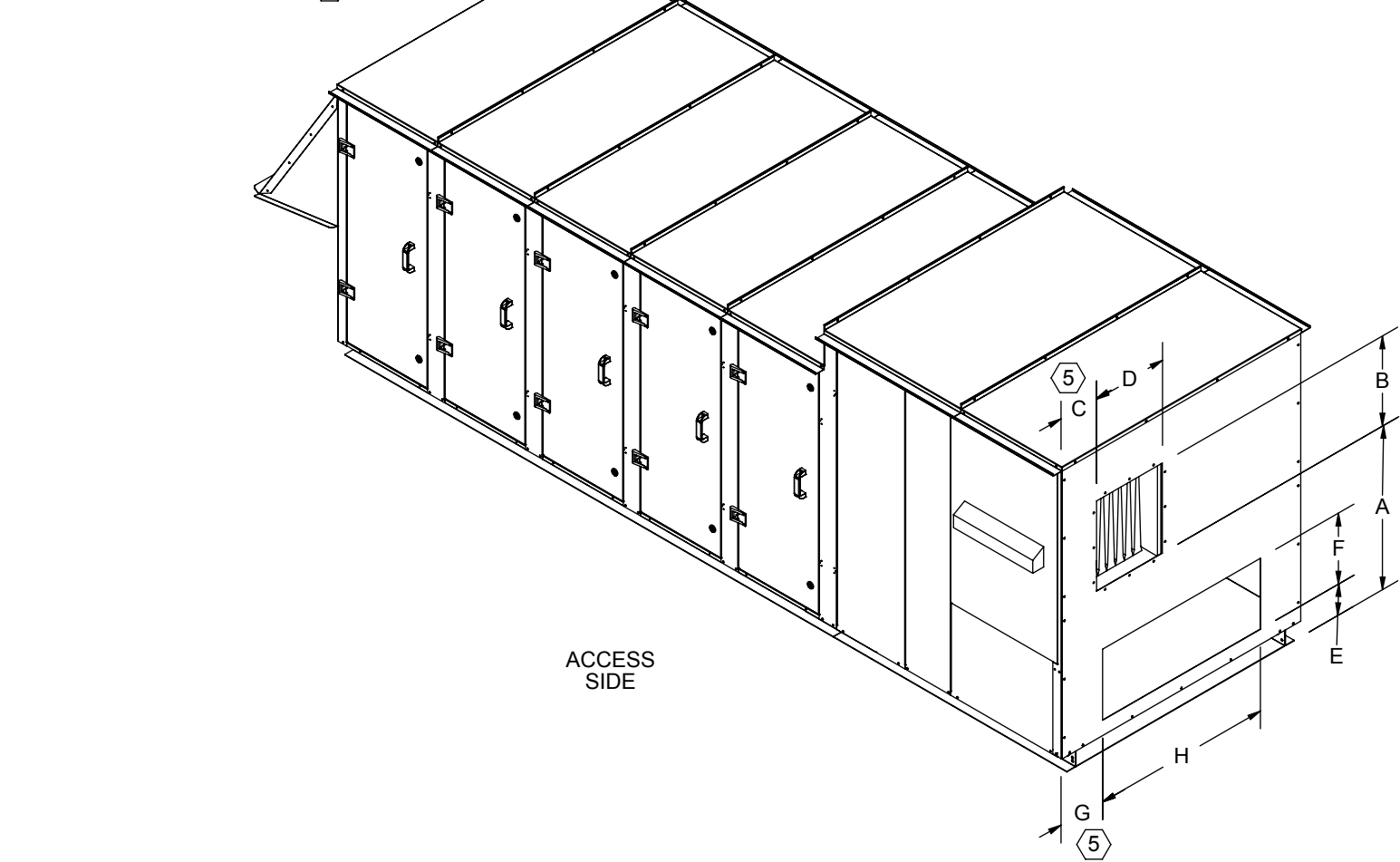
Scale NTS Rev. 3 Drawing Number G805-014

ALL DIMENSIONS ARE IN INCHES
FRACTIONAL TOLERANCE 1/8"



NOTES:
 REFER TO SHEET 1 FOR GENERAL NOTES.
 WEIGHTS SHOWN REFLECT FULLY OPTIONED ESTIMATED UNIT WEIGHT.

UNIT SIZE (TONS)	UNIT CABINET SIZES	GAS HEATER QTY.	END DISCHARGE, END RETURN							
			SUPPLY DISCHARGE (in.)				RETURN AIR INTAKE (in.)			
			A	B	5	D	E	F	G	H
05	44-H	1	32 1/2	17 3/4	6 5/8	26	6 3/8	14	9 3/8	35 7/8
08	50-H	1	39 1/8	17 3/4	6 5/8	34 1/4	6 3/8	20 1/2	9 3/8	42 1/2
10	60-H	1	50 3/4	17 3/4	6 5/8	34 1/4	7 7/8	30	9 3/8	53 7/8
		2	50 3/4	17 3/4	6 5/8	34 1/4	7 7/8	30	9 3/8	53 7/8
15	72-H	1	53 5/8	17 3/4	6 5/8	45 1/4	7 7/8	31 1/2	9 3/8	68 7/8
		2	53 5/8	17 3/4	6 5/8	45 1/4	7 7/8	34 1/2	9 3/8	68 7/8
20	78-H	1	53 1/2	17 3/4	6 5/8	45 1/4	7 7/8	32	9 3/8	71 7/8
		2	53 1/2	17 3/4	6 5/8	45 1/4	7 7/8	32	9 3/8	71 7/8
25	78-H	1	53 1/2	17 3/4	6 5/8	45 1/4	7 7/8	32	9 3/8	71 7/8
		2	53 1/2	17 3/4	6 5/8	45 1/4	7 7/8	32	9 3/8	71 7/8
30	78-H	1	53 1/2	17 3/4	6 5/8	45 1/4	7 7/8	32	9 3/8	71 7/8
		2	53 1/2	17 3/4	6 5/8	45 1/4	7 7/8	32	9 3/8	71 7/8



UNIT SIZE (TONS)	UNIT CABINET SIZES	GAS HEATER QTY.	CONTINUED - END DISCHARGE, END RETURN								TOTAL EST. WEIGHT (LBS.)
			MAX EXHAUST DISCHARGE (in.)				O/A INTAKE (in.)				
			M	N	5	P	I	J	K	L	
05	44-H	1	6 1/4	11 1/2	21 1/4	12	29	30 7/8	5 1/4	43 7/8	3222
08	50-H	1	6 1/4	16	22 3/4	15 3/4	37	31 1/2	5 5/8	49 7/8	3826
10	60-H	1	7 3/4	16	26 7/8	18 3/4	43 1/2	35 5/8	6 1/4	59 7/8	4776
		2	7 3/4	16	26 7/8	18 3/4	43 1/2	35 5/8	6 1/4	59 7/8	5434
15	72-H	1	7 3/4	16	34 3/8	18 3/4	45 1/2	35 7/8	7 3/4	71 7/8	6428
		2	7 3/4	16	34 3/8	18 3/4	45 1/2	35 7/8	7 3/4	71 7/8	7160
20	78-H	1	7 3/4	28 3/8	31 1/8	28 3/8	48 1/2	41 7/8	6 1/4	77 7/8	7158
		2	7 3/4	28 3/8	31 1/8	28 3/8	48 1/2	41 7/8	6 1/4	77 7/8	8444
25	78-H	1	7 3/4	28 3/8	31 1/8	28 3/8	48 1/2	41 7/8	6 1/4	77 7/8	10485
		2	7 3/4	28 3/8	31 1/8	28 3/8	48 1/2	41 7/8	6 1/4	77 7/8	11771
30	78-H	1	7 3/4	28 3/8	31 1/8	28 3/8	48 1/2	41 7/8	6 1/4	77 7/8	12652
		2	7 3/4	28 3/8	31 1/8	28 3/8	48 1/2	41 7/8	6 1/4	77 7/8	12777

Desert Aire has a policy of continuous product and quality improvement. Specifications and dimensions are subject to change without notice. This drawing and information contained herein are the exclusive property of the Desert Aire Corporation. Any use detrimental to the interests of Desert Aire is prohibited.

All Dimensions in Inches
 All Angles 90°
 All outside corners 0.125" fillet
 Unless Otherwise Specified

Tolerance Unless Otherwise Specified
 X.X ±.125
 X.XX ±.060
 X.XXX ±.030
 Angles ±1°

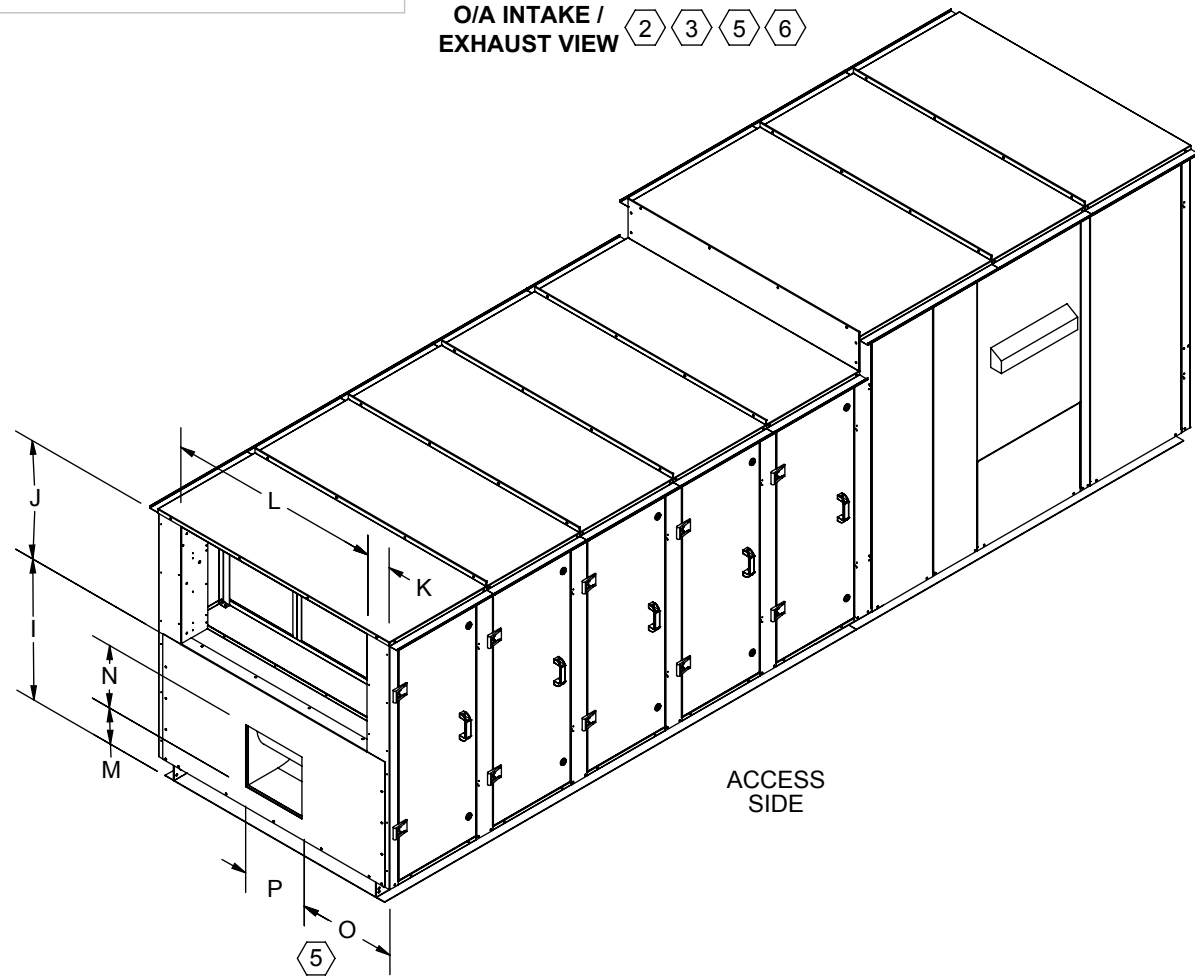
DESERT AIRE
 N120 W18485 FREISTADT RD
 GERMANTOWN, WI 53022
 Tel: (262) 946-7400
 Fax: (262) 946-7401

Third Angle Projection

Drawn	BCL	Date Released	5/18/2011	Description	NON-PKGD w/WHL & GAS HEAT
Sheet	3/6		Page Title		
Scale	NTS		Rev.	3	
Part weight			Drawing Number		
			G805-014		

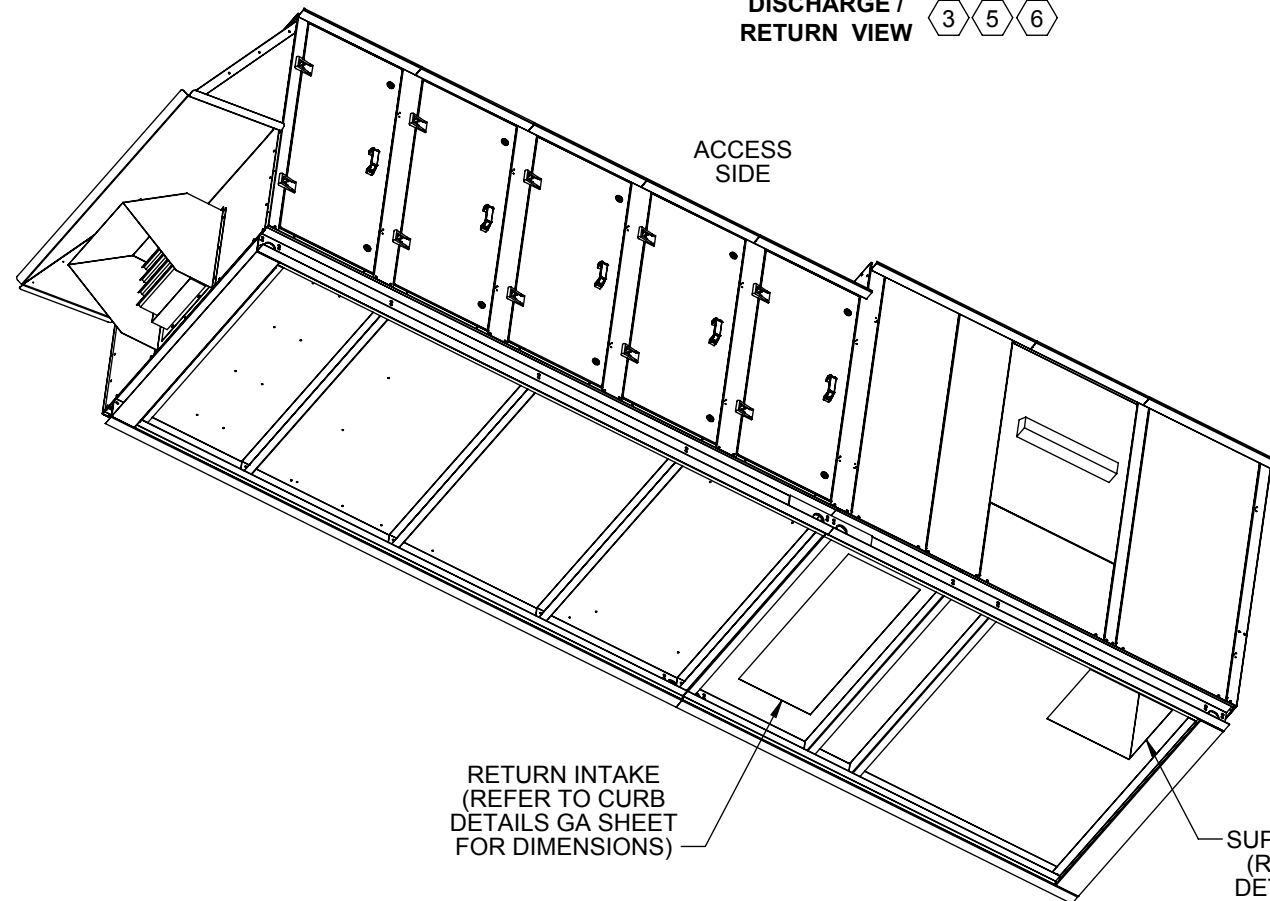
ALL DIMENSIONS ARE IN INCHES
 FRACTIONAL TOLERANCE ± 1/8"

O/A INTAKE / EXHAUST VIEW 2 3 5 6



ACCESS SIDE

DISCHARGE / RETURN VIEW 3 5 6



RETURN INTAKE
(REFER TO CURB
DETAILS GA SHEET
FOR DIMENSIONS)

SUPPLY DISCHARGE
(REFER TO CURB
DETAILS GA SHEET
FOR DIMENSIONS)

NOTES:
REFER TO SHEET 1 FOR GENERAL NOTES.
WEIGHTS SHOWN REFLECT FULLY OPTIONED
ESTIMATED UNIT WEIGHT.
REFER TO CURB DETAILS GA SHEET FOR SUPPLY
DUCT DIMENSION AND LOCATIONS.

UNIT SIZE (TONS)	UNIT CABINET SIZES	GAS HEATER QTY.	CONTINUED - DOWN DISCHARGE, DOWN RETURN								TOTAL EST. WEIGHT (LBS.)
			EXHAUST DISCHARGE (in.)				O/A INTAKE (in.)				
			M	N	5	P	I	J	K	L	
05	44-H	1	6 1/4	11 1/2	21 1/4	12	29	30 7/8	5 1/4	43 7/8	3222
08	50-H	1	6 1/4	16	22 3/4	15 3/4	37	31 1/2	5 5/8	49 7/8	3826
		2	7 3/4	16	26 7/8	18 3/4	43 1/2	35 5/8	6 1/4	59 7/8	4776
10	60-H	1	7 3/4	16	26 7/8	18 3/4	43 1/2	35 5/8	6 1/4	59 7/8	5434
		2	7 3/4	16	26 7/8	18 3/4	43 1/2	35 5/8	6 1/4	59 7/8	5434
15	72-H	1	7 3/4	16	34 3/8	18 3/4	45 1/2	35 7/8	7 3/4	71 7/8	6428
		2	7 3/4	16	34 3/8	18 3/4	45 1/2	35 7/8	7 3/4	71 7/8	7160
20	78-H	1	7 3/4	28 3/8	31 1/8	28 3/8	48 1/2	41 7/8	6 1/4	77 7/8	7158
		2	7 3/4	28 3/8	31 1/8	28 3/8	48 1/2	41 7/8	6 1/4	77 7/8	8444
25	78-H	1	7 3/4	28 3/8	31 1/8	28 3/8	48 1/2	41 7/8	6 1/4	77 7/8	10485
		2	7 3/4	28 3/8	31 1/8	28 3/8	48 1/2	41 7/8	6 1/4	77 7/8	11771
30	78-H	1	7 3/4	28 3/8	31 1/8	28 3/8	48 1/2	41 7/8	6 1/4	77 7/8	12652
		2	7 3/4	28 3/8	31 1/8	28 3/8	48 1/2	41 7/8	6 1/4	77 7/8	12777

Desert Aire has a policy of continuous product and quality improvement. Specifications and dimensions are subject to change without notice. This drawing and information contained herein are the exclusive property of the Desert Aire Corporation. Any use detrimental to the interests of Desert Aire is prohibited.

All Dimensions in Inches
All Angles 90°
All outside corners 0.125" fillet
Unless Otherwise Specified

Tolerance Unless Otherwise Specified
X.X ±.125
X.XX ±.060
X.XXX ±.030
Angles ±1°

DESERT AIRE
N120 W18485 FREISTADT RD
GERMANTOWN, WI 53022
Tel: (262) 946-7400
Fax: (262) 946-7401

Third Angle Projection

Part weight

Drawn **BCL** Date Released **5/18/2011**

Sheet **4/6**

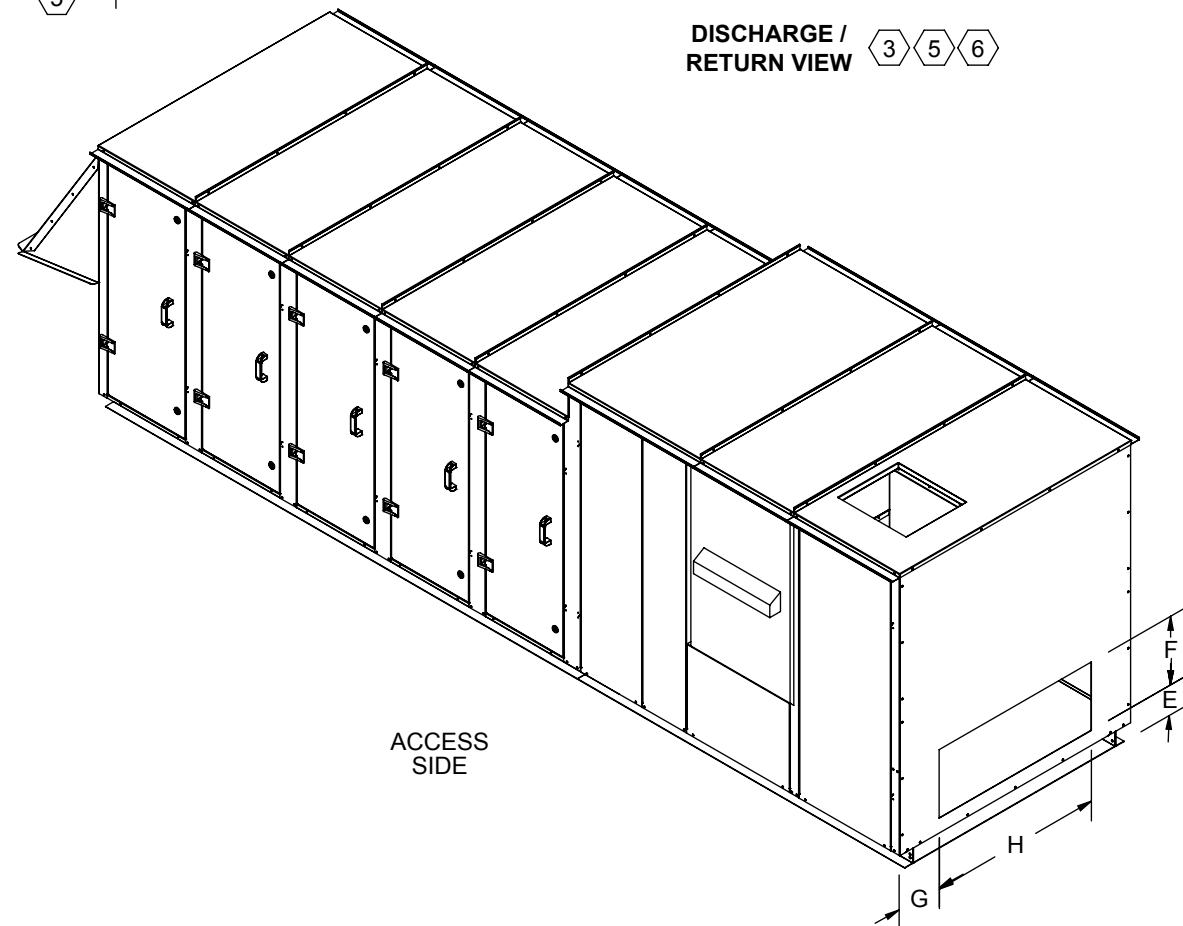
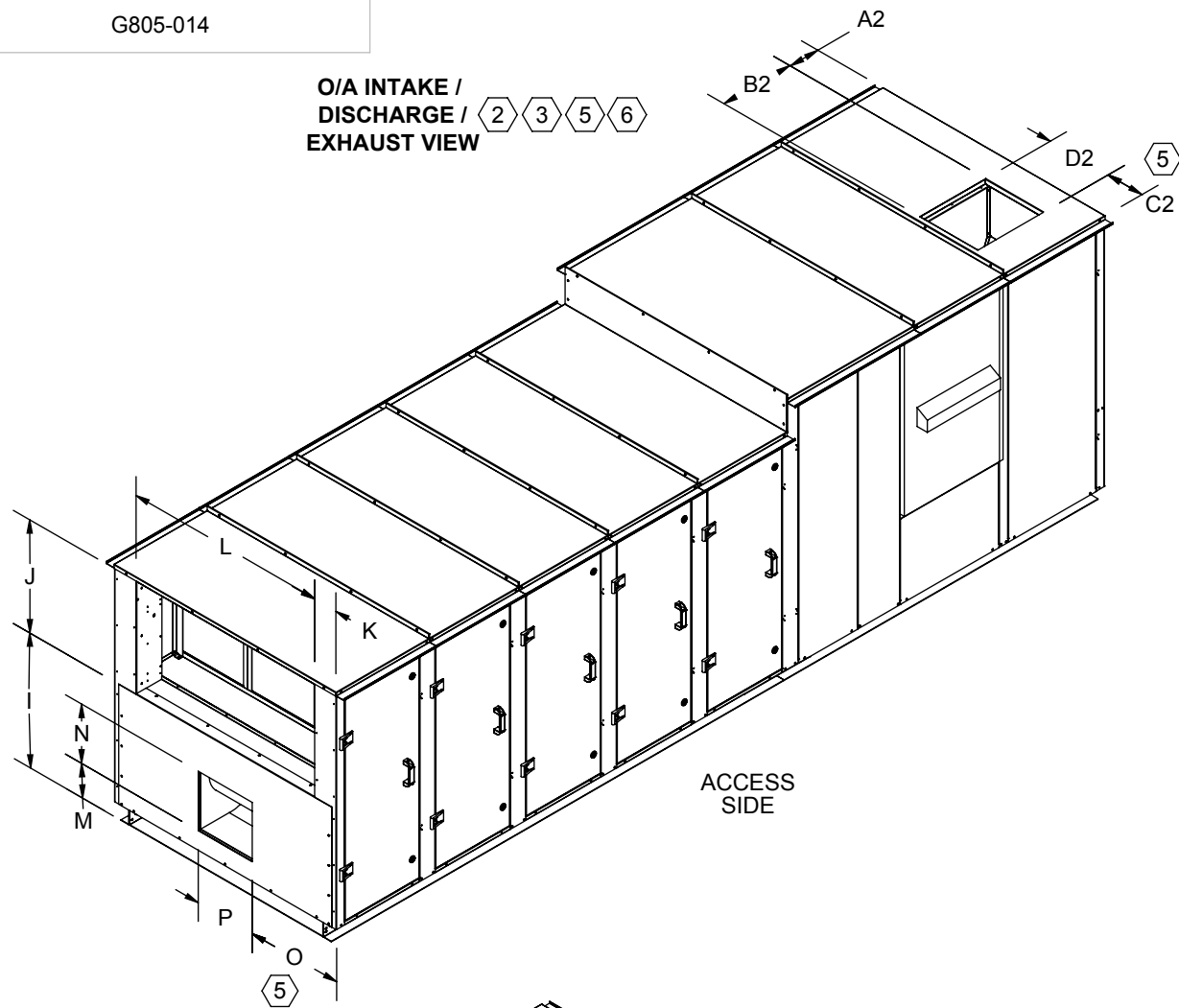
Scale **NTS** Rev. **3**

Description **NON-PKGD w/WHL & GAS HEAT**

Page Title **DOWN DISCHARGE GA**

Drawing Number **G805-014**

ALL DIMENSIONS ARE IN INCHES
FRACTIONAL TOLERANCE ± 1/8"



NOTES:
 REFER TO SHEET 1 FOR GENERAL NOTES.
 WEIGHTS SHOWN REFLECT FULLY OPTIONED ESTIMATED UNIT WEIGHT.

UNIT SIZE (TONS)	UNIT CABINET SIZES	GAS HEATER QTY.	UP DISCHARGE, UP RETURN							
			SUPPLY DISCHARGE (in.)				RETURN AIR INTAKE (in.)			
			A2	B2	C2 ⁵	D2	E	F	G	H
05	44-H	1	1 1/4	16	7 1/8	25 1/4	6 3/8	14	9 3/8	35 7/8
08	50-H	1	1 1/4	16	7 1/8	33 1/2	6 3/8	20 1/2	9 3/8	42 1/2
10	60-H	1	1 1/4	16	7 1/8	33 1/2	7 7/8	30	9 3/8	53 7/8
		2	1 1/4	16	7 1/8	33 1/2	7 7/8	30	9 3/8	53 7/8
15	72-H	1	1 1/4	16	7 1/8	44 1/2	7 7/8	31 1/2	9 3/8	68 7/8
		2	1 1/4	16	7 1/8	44 1/2	7 7/8	34 1/2	9 3/8	68 7/8
20	78-H	1	1 1/4	16	7 1/8	44 1/2	7 7/8	32	9 3/8	71 7/8
		2	1 1/4	16	7 1/8	44 1/2	7 7/8	32	9 3/8	71 7/8
25	78-H	1	1 1/4	16	7 1/8	44 1/2	7 7/8	32	9 3/8	71 7/8
		2	1 1/4	16	7 1/8	44 1/2	7 7/8	32	9 3/8	71 7/8
30	78-H	1	1 1/4	16	7 1/8	44 1/2	7 7/8	32	9 3/8	71 7/8
		2	1 1/4	16	7 1/8	44 1/2	7 7/8	32	9 3/8	71 7/8

UNIT SIZE (TONS)	UNIT CABINET SIZES	GAS HEATER QTY.	CONTINUED - UP DISCHARGE, UP RETURN								TOTAL EST. WEIGHT (LBS.)
			EXHAUST DISCHARGE (in.)				O/A INTAKE (in.)				
			M	N	O ⁵	P	I	J	K	L	
05	44-H	1	6 1/4	11 1/2	21 1/4	12	29	30 7/8	5 1/4	43 7/8	3222
08	50-H	1	6 1/4	16	22 3/4	15 3/4	37	31 1/2	5 5/8	49 7/8	3826
10	60-H	1	7 3/4	16	26 7/8	18 3/4	43 1/2	35 5/8	6 1/4	59 7/8	4776
		2	7 3/4	16	26 7/8	18 3/4	43 1/2	35 5/8	6 1/4	59 7/8	5434
15	72-H	1	7 3/4	16	34 3/8	18 3/4	45 1/2	35 7/8	7 3/4	71 7/8	6428
		2	7 3/4	16	34 3/8	18 3/4	45 1/2	35 7/8	7 3/4	71 7/8	7160
20	78-H	1	7 3/4	28 3/8	31 1/8	28 3/8	48 1/2	41 7/8	6 1/4	77 7/8	7158
		2	7 3/4	28 3/8	31 1/8	28 3/8	48 1/2	41 7/8	6 1/4	77 7/8	8444
25	78-H	1	7 3/4	28 3/8	31 1/8	28 3/8	48 1/2	41 7/8	6 1/4	77 7/8	10485
		2	7 3/4	28 3/8	31 1/8	28 3/8	48 1/2	41 7/8	6 1/4	77 7/8	11771
30	78-H	1	7 3/4	28 3/8	31 1/8	28 3/8	48 1/2	41 7/8	6 1/4	77 7/8	12652
		2	7 3/4	28 3/8	31 1/8	28 3/8	48 1/2	41 7/8	6 1/4	77 7/8	12777

Desert Aire has a policy of continuous product and quality improvement. Specifications and dimensions are subject to change without notice. This drawing and information contained herein are the exclusive property of the Desert Aire Corporation. Any use detrimental to the interests of Desert Aire is prohibited.

All Dimensions in Inches
 All Angles 90°
 All outside corners 0.125" fillet
 Unless Otherwise Specified

Tolerance Unless Otherwise Specified
 X.X ±.125
 X.XX ±.060
 X.XXX ±.030
 Angles ±1°

Drawn: BCL
 Date Released: 5/18/2011

Description: NON-PKGD w/WHL & GAS HEAT

Sheet: 5/6
 Page Title: TOP DISCHARGE GA

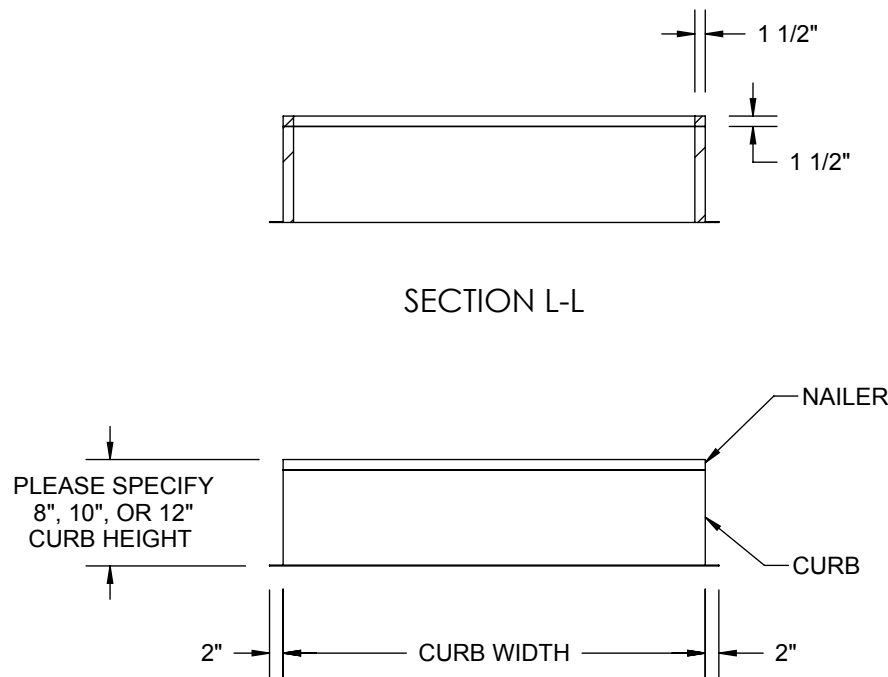
ALL DIMENSIONS ARE IN INCHES
 FRACTIONAL TOLERANCE ± 1/8"

Third Angle Projection

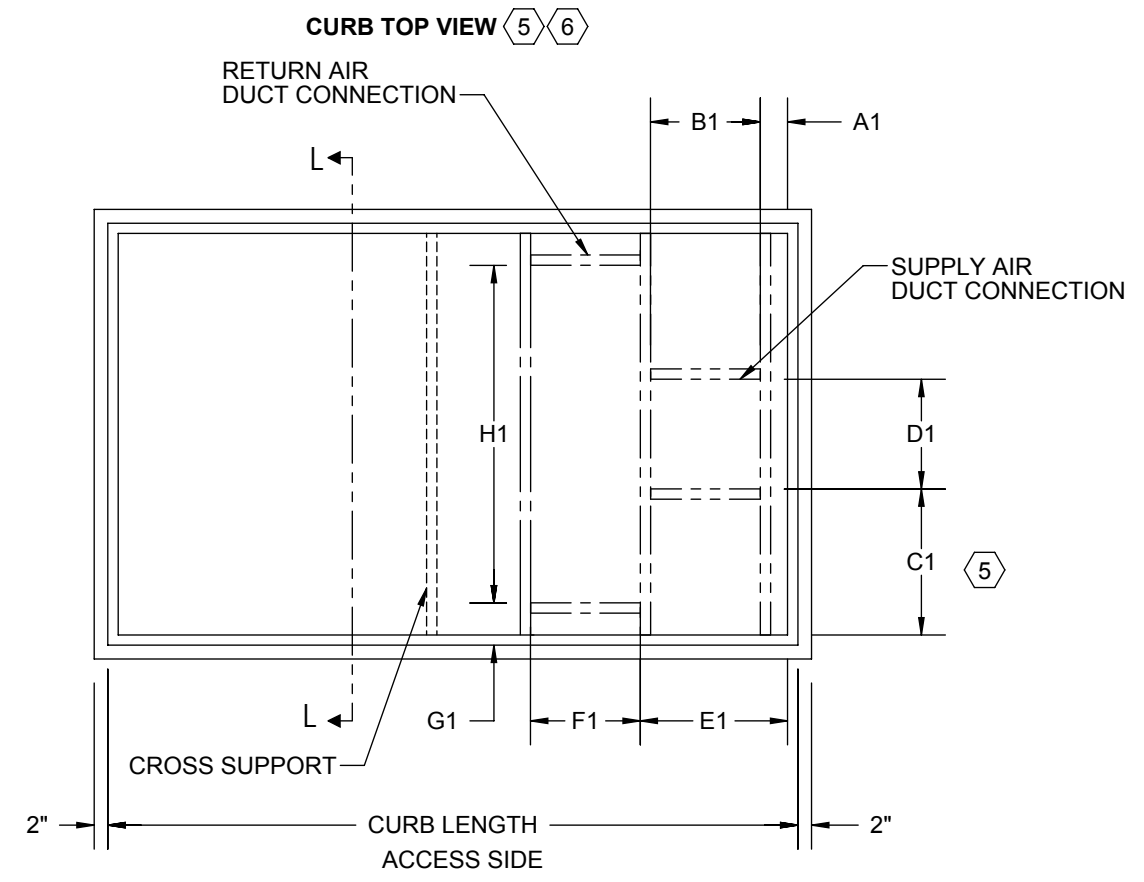
Scale: NTS
 Rev: 3
 Drawing Number: G805-014

NOTES:
 REFER TO SHEET 1 FOR GENERAL NOTES.
 CURBS 120" AND LESS ARE SHIPPED AS COMPLETE CURBS. GREATER THAN 120" ARE SHIPPED KNOCKED DOWN.
 NUMBER AND LOCATION OF CROSS SUPPORT(S) IS DEPENDANT UPON THE GAUGE OF MATERIAL USED TO CONSTRUCT THE CURB, DUCT SUPPORT CONFIGURATION, LENGTH OF CURB, AND WIDTH OF CURB. INSTALLATION INSTRUCTIONS INCLUDED WITH CURB SHIPMENT INDICATE THE REQUIRED POSITION FOR FIELD ASSEMBLED CURBS.

UNIT SIZE (TONS)	UNIT CABINET SIZES	GAS HEATER QTY.	ROOFCURB SIZE END/END FLOW (O.D.)			ROOFCURB SIZE UP/END FLOW (O.D.)			ROOFCURB SIZE DOWN/DOWN FLOW (O.D.)										
			CURB P/N	WIDTH (in.)	LENGTH (in.)	CURB P/N	WIDTH (in.)	LENGTH (in.)	CURB P/N	WIDTH (in.)	LENGTH (in.)	SUPPLY DISCHARGE (in.)				RETURN AIR INTAKE (in.)			
												A1	B1	C1	D1	E1	F1	G1	H1
05	44-H	1	CB05WNA105-XX	46 1/2	154 1/4	CB05WNC105-XX	46 1/2	178 1/4	CB05WNB105-XX	46 1/2	178 1/4	0	16	1 5/8	25 1/4	77	17	3 3/4	36
08	50-H	1	CB08WNA105-XX	53 1/8	156 3/4	CB08WNC105-XX	53 1/8	180 3/4	CB08WNB105-XX	53 1/8	180 3/4	0	16	1 5/8	33 1/2	83 1/2	18	3 5/8	43
10	60-H	1	CB10WNA105-XX	64 1/2	162 3/4	CB10WNC105-XX	64 1/2	186 3/4	CB10WNB105-XX	64 1/2	186 3/4	0	16	1 5/8	33 1/2	91	30	3 3/4	54
10		2	CB10WNA205-XX	64 1/2	197 3/8	CB10WNC205-XX	64 1/2	221 3/8	CB10WNB205-XX	64 1/2	221 3/8	0	16	1 5/8	33 1/2	125 5/8	30	3 3/4	54
15	72-H	1	CB15WNA105-XX	79 1/2	170 3/4	CB15WNC105-XX	79 1/2	194 3/4	CB15WNB105-XX	79 1/2	194 3/4	0	16	1 5/8	44 1/2	91	31	3 3/4	69
15		2	CB15WNA205-XX	79 1/2	205 3/8	CB15WNC205-XX	79 1/2	229 3/8	CB15WNB205-XX	79 1/2	229 3/8	0	16	1 5/8	44 1/2	125 5/8	31	3 3/4	69
20	78-H	1	CB20WNA105-XX	82 1/2	180 3/4	CB20WNC105-XX	82 1/2	204 3/4	CB20WNB105-XX	82 1/2	204 3/4	0	16	1 5/8	44 1/2	91	32	3 3/4	72
20		2	CB20WNA205-XX	82 1/2	215 3/8	CB20WNC205-XX	82 1/2	239 3/8	CB20WNB205-XX	82 1/2	239 3/8	0	16	1 5/8	44 1/2	125 5/8	32	3 3/4	72
25		1	CB25WNA105-XX	82 1/2	180 3/4	CB25WNC105-XX	82 1/2	204 3/4	CB25WNB105-XX	82 1/2	204 3/4	0	16	1 5/8	44 1/2	91	32	3 3/4	72
25		2	CB25WNA205-XX	82 1/2	215 3/8	CB25WNC205-XX	82 1/2	239 3/8	CB25WNB205-XX	82 1/2	239 3/8	0	16	1 5/8	44 1/2	125 5/8	32	3 3/4	72
30		1	CB30WNA105-XX	82 1/2	180 3/4	CB30WNC105-XX	82 1/2	204 3/4	CB30WNB105-XX	82 1/2	204 3/4	0	16	1 5/8	44 1/2	91	32	3 3/4	72
30		2	CB30WNA205-XX	82 1/2	215 3/8	CB30WNC205-XX	82 1/2	239 3/8	CB30WNB205-XX	82 1/2	239 3/8	0	16	1 5/8	44 1/2	125 5/8	32	3 3/4	72



AIRFLOW →



DUCT CONNECTIONS FOR DOWN DISCHARGE

Desert Aire has a policy of continuous product and quality improvement. Specifications and dimensions are subject to change without notice. This drawing and information contained herein are the exclusive property of the Desert Aire Corporation. Any use detrimental to the interests of Desert Aire is prohibited.	All Dimensions in Inches All Angles 90° All outside corners 0.125" fillet Unless Otherwise Specified	Tolerance Unless Otherwise Specified X.X ±.125 X.XX ±.060 X.XXX ±.030 Angles ±1°	N120 W18485 FREISTADT RD GERMANTOWN, WI 53022 Tel: (262) 946-7400 Fax: (262) 946-7401
ALL DIMENSIONS ARE IN INCHES FRACTIONAL TOLERANCE ± 1/8"	Third Angle Projection	Sheet: 6/6 Scale: NTS Rev: 3	Page Title: CURB DETAILS GA Drawing Number: G805-014