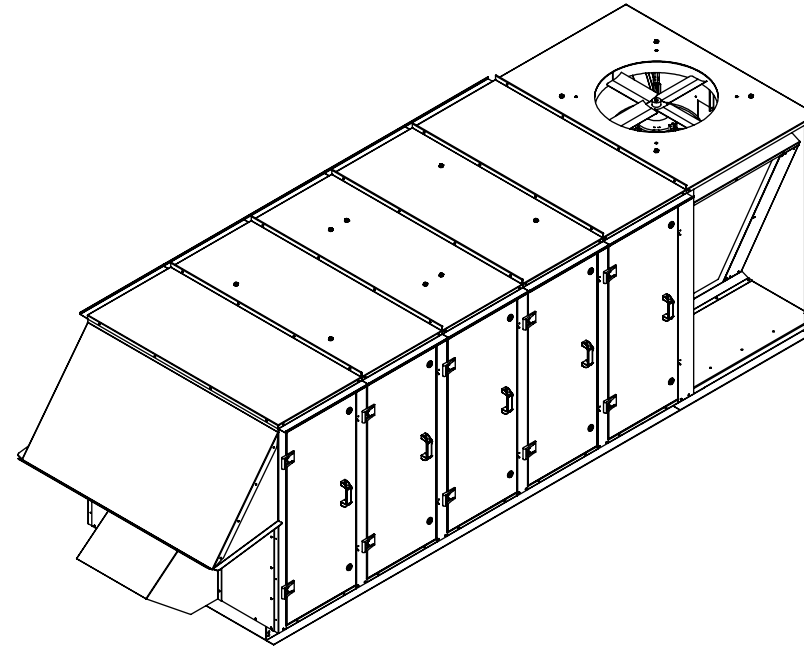
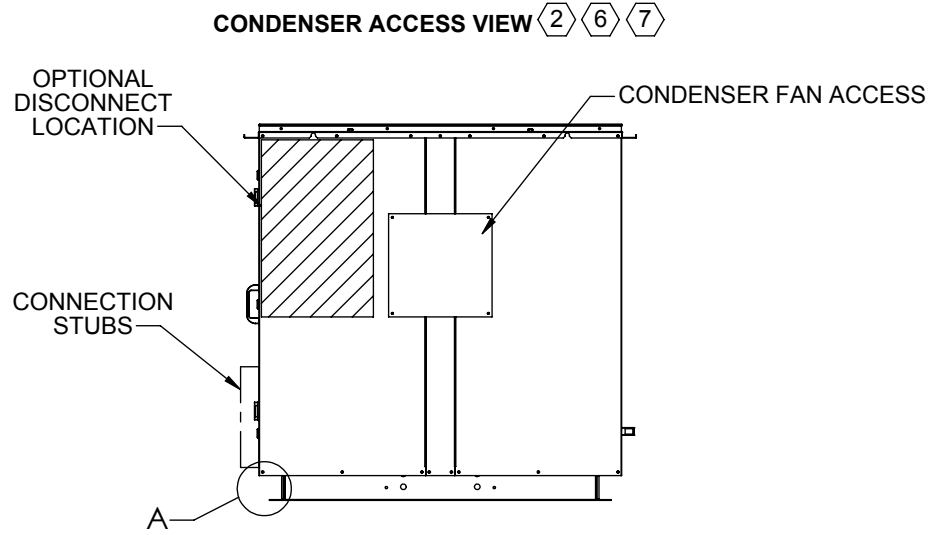
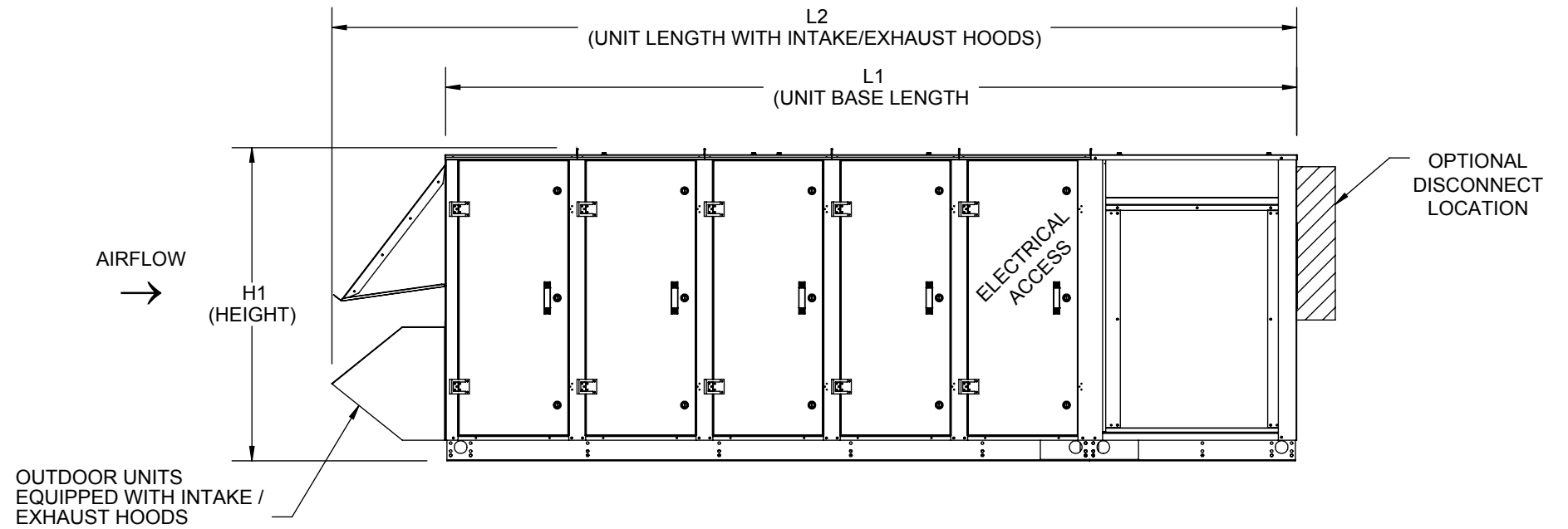
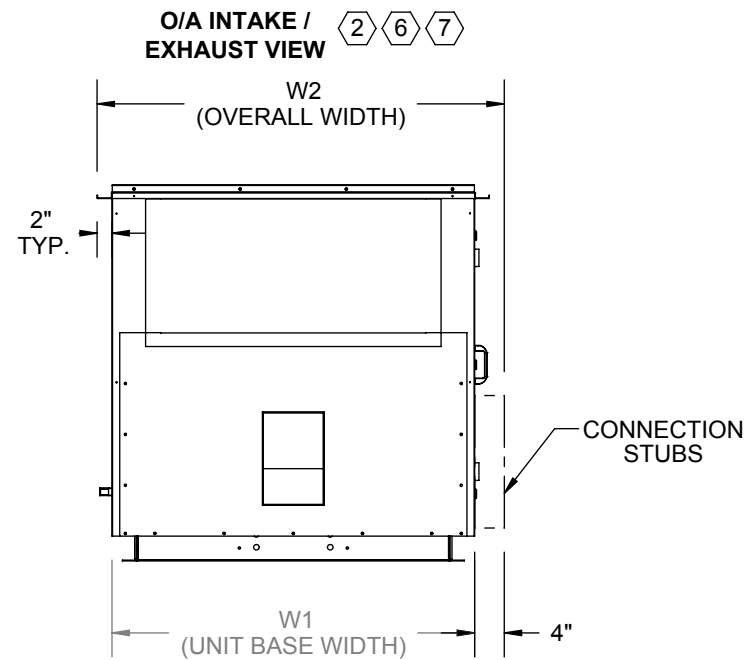


AIR FLOW	UNIT SIZE (TONS)	UNIT CABINET SIZES	L1	W1	H1	L2	W2
DOWN FLOW	02	36-H	159 5/8	49 1/8	51 1/8	178 1/8	55 1/8
	03		159 5/8	49 1/8	51 1/8	178 1/8	55 1/8
	05	44-H	187 3/8	54 1/2	55	205 3/4	60 1/2
	08	50-H	217 1/2	61 1/8	63	240 3/4	67 1/8
	10	60-H	230 7/8	72 1/2	75 1/4	254 1/4	78 1/2
	15	72-H	246 7/8	87 1/2	83 3/8	275 1/4	93 1/2
	20	78-H	290 1/2	90 1/2	92 5/8	319 1/4	96 1/2
	25		290 1/2	90 1/2	92 5/8	319 1/4	96 1/2
	30		290 1/2	90 1/2	92 5/8	319 1/4	96 1/2



**ACCESS SIDE VIEW** (2) (6) (7)



**GENERAL NOTES AS REFERENCED BY INDIVIDUAL SHEETS:**

- (1) PORTION OF SECTIONED OR DETAILED DRAWING HAS BEEN OMITTED FOR CLARITY.
- (2) HOODS OMITTED FOR CLARITY.
- (3) VIEW IS FOR PICTORAL PURPOSES. REFER TO PAGE 1 FOR UNIT TYPE SPECIFIC VIEW.
- (4) REFER TO SUBMITTAL FOR CUSTOMER CONNECTION LOCATIONS.
- (5) DIMENSIONS ARE TO ACCESS SIDE OF UNIT.
- (6) RH ACCESS SHOWN FOR DISPLAY PURPOSES. ACCESS DOOR CONFIGURATION MAY CHANGE DEPENDING ON UNIT SIZE.
- (7) REFER TO SHEET 3,4, FOR INTAKE AND DISCHARGE CONNECTION DIMENSIONS.

Desert Aire has a policy of continuous product and quality improvement. Specifications and dimensions are subject to change without notice. This drawing and information contained herein are the exclusive property of the Desert Aire Corporation. Any use detrimental to the interests of Desert Aire is prohibited.

All Dimensions in Inches  
All Angles 90°  
All outside corners 0.125" fillet  
Unless Otherwise Specified

Tolerance Unless Otherwise Specified  
X.X ±.125  
X.XX ±.060  
X.XXX ±.030  
Angles ±1°

N120 W18485 FREISTADT RD  
GERMANTOWN, WI 53022  
Tel: (262) 946-7400  
Fax: (262) 946-7401

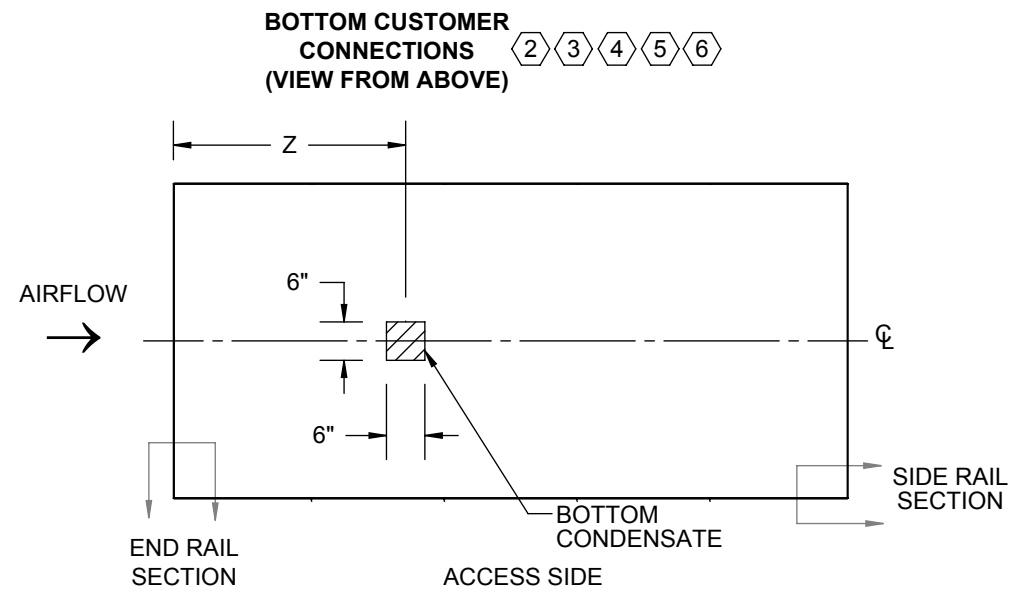
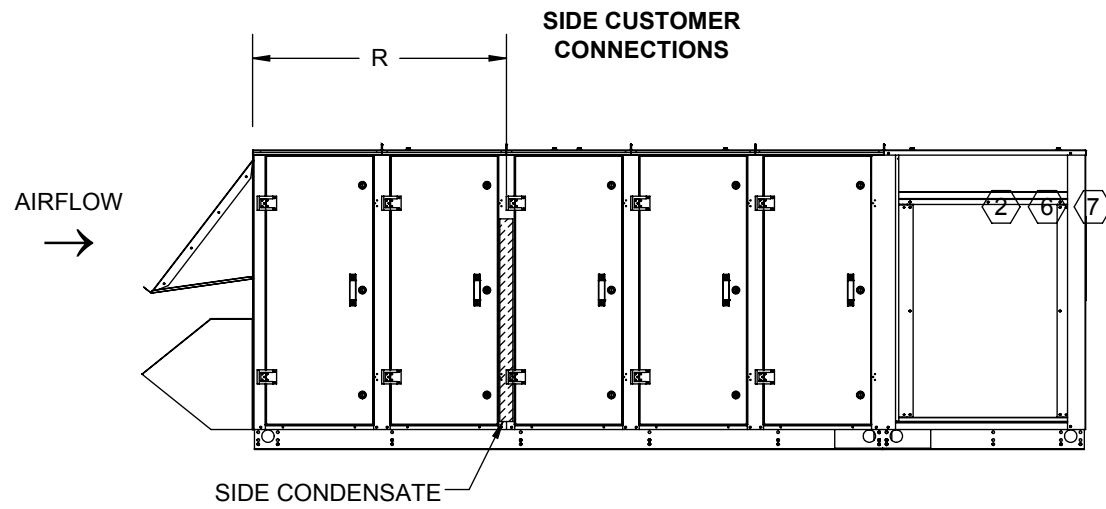


Part weight

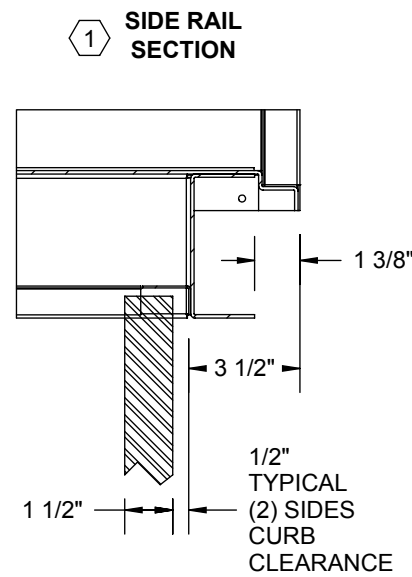
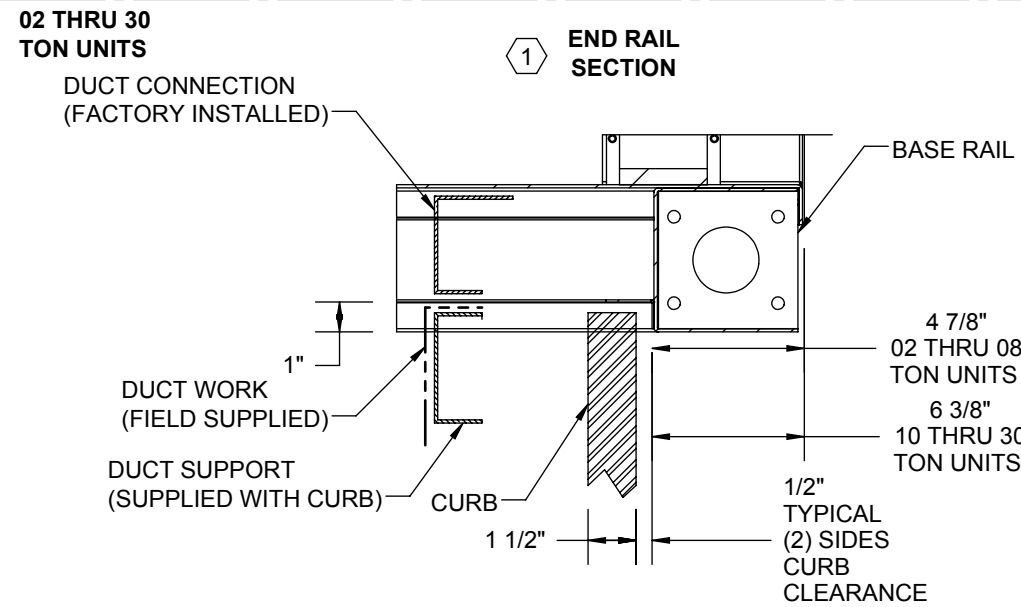
Drawn	Date Released	Description
BCL	5/17/2011	EXT PACKAGED w/ WHEEL
Sheet	1/4	Page Title
		GENERAL ARRANGEMENT
Scale	Rev.	Drawing Number
NTS	3	G805-011

ALL DIMENSIONS ARE IN INCHES  
FRACTIONAL TOLERANCE ± 1/8"

NOTES:  
REFER TO SHEET 1 FOR GENERAL NOTES.



AIR FLOW	UNIT SIZE (TONS)	UNIT CABINET SIZES	R	Z
DOWNFLOW	02	36-H	63 1/8	52 3/8
	03		63 1/8	52 3/8
	05	44-H	67	54 7/8
	08	50-H	68 5/8	55 3/4
	10	60-H	70 1/2	57
	15	78-H	75 3/8	60 1/4
	20		81 1/4	69 7/8
	25		81 1/4	69 7/8
30	81 1/4		69 7/8	



UNIT SIZE (TONS)	CAB	FILTER LOCATION	DA PART #			NOM W	NOM H	TOTAL QTY
			4" MERV	4" MERV	2" PRE			
2-3	36-H	S & E	870-041	870-131	870-043	20	24	4
5	44-H	S & E	870-056	870-133	870-057	18	24	6
8	50-H	S & E	870-041	870-131	870-043	20	24	6
10	60-H	S & E	870-012	870-130	870-009	24	24	6
15	72-H	SUPPLY	870-030	870-135	870-015	16	25	3
		SUPPLY	870-011	870-134	870-016	20	25	2
		EXHAUST	870-030	870-135	870-015	16	25	2
		EXHAUST	870-028	870-128	870-022	16	20	6
20-30	78-H	SUPPLY	870-010	870-129	870-005	20	20	4
		SUPPLY	870-011	870-134	870-016	20	25	4
		EXHAUST	870-030	870-135	870-015	16	25	4
		EXHAUST	870-028	870-128	870-022	16	20	4

CUSTOMER CONNECTION LINE SIZE SUMMARY (in.)									
Unit Size	2 TONS	3 TONS	5 TONS	8 TONS	10 TONS	15 TONS	20 TONS	25 TONS	30 TONS
CONDENSATE	1	1	1	1	1	1	1	1	1

Desert Aire has a policy of continuous product and quality improvement. Specifications and dimensions are subject to change without notice. This drawing and information contained herein are the exclusive property of the Desert Aire Corporation. Any use detrimental to the interests of Desert Aire is prohibited.

All Dimensions in Inches  
All Angles 90°  
All outside corners 0.125" fillet  
Unless Otherwise Specified

Tolerance Unless Otherwise Specified  
X.X ±.125  
X.XX ±.060  
X.XXX ±.030  
Angles ±1°



N120 W18485 FREISTADT RD  
GERMANTOWN, WI 53022  
Tel: (262) 946-7400  
Fax: (262) 946-7401

Third Angle Projection

Drawn BCL Date Released 5/17/2011

Description EXT PACKAGED w/ WHEEL

Sheet 2/4

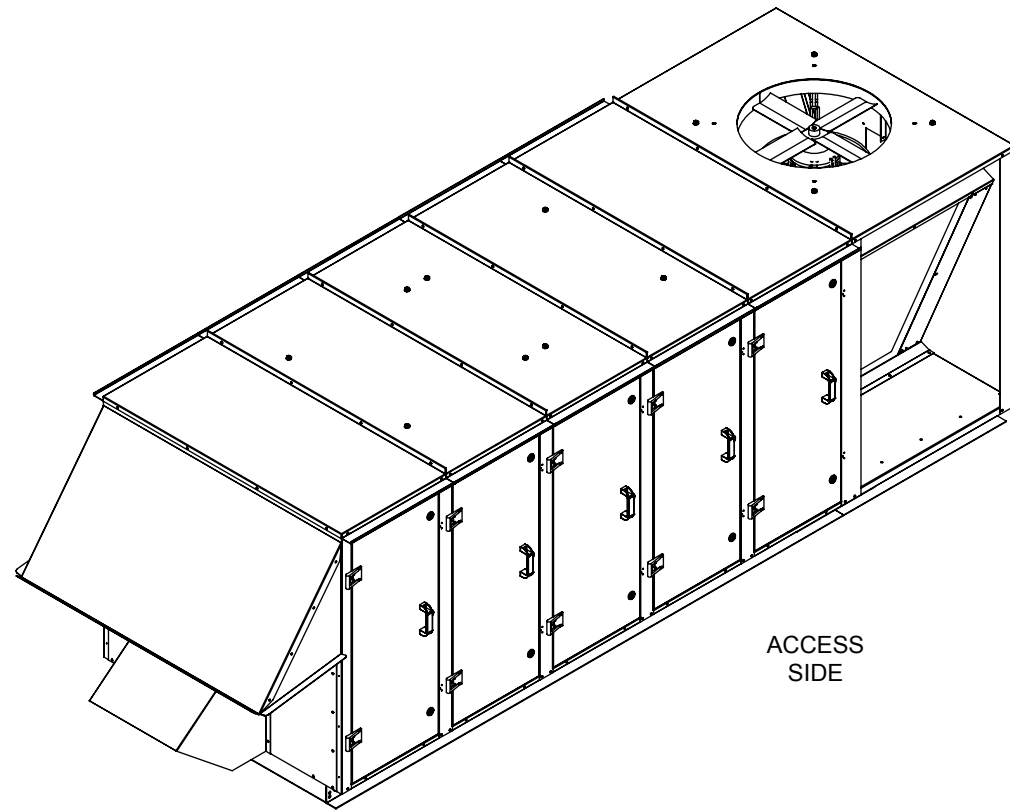
Page Title CUSTOMER INTERFACE GA

Part weight

Scale NTS Rev. 3

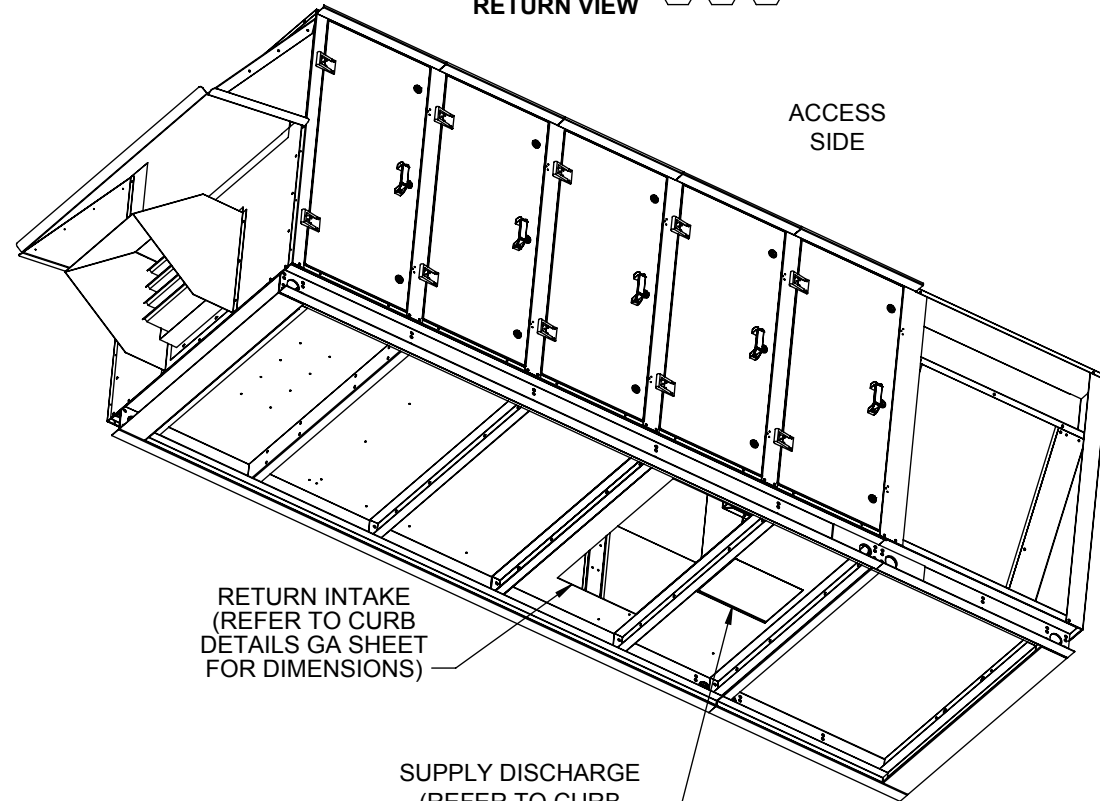
Drawing Number G805-011

O/A INTAKE / EXHAUST VIEW 3 5 6



ACCESS SIDE

DISCHARGE / RETURN VIEW 3 5 6



ACCESS SIDE

RETURN INTAKE  
(REFER TO CURB  
DETAILS GA SHEET  
FOR DIMENSIONS)

SUPPLY DISCHARGE  
(REFER TO CURB  
DETAILS GA SHEET  
FOR DIMENSIONS)

**NOTES:**

REFER TO SHEET 1 FOR GENERAL NOTES.

WEIGHTS SHOWN REFLECT FULLY OPTIONED ESTIMATED UNIT WEIGHT.

REFER TO CURB DETAILS GA SHEET FOR SUPPLY DUCT DIMENSION AND LOCATIONS.

UNIT SIZE (TONS)	UNIT CABINET SIZES	DOWN DISCHARGE, DOWN RETURN
		TOTAL ESTIMATED WEIGHT (LBS)
02	36-H	2247
03		2311
05	44-H	2868
08	50-H	3601
10	60-H	4605
15	72-H	6388
20	78-H	7575
25		9616
30		9741

Desert Aire has a policy of continuous product and quality improvement. Specifications and dimensions are subject to change without notice. This drawing and information contained herein are the exclusive property of the Desert Aire Corporation. Any use detrimental to the interests of Desert Aire is prohibited.

All Dimensions in Inches  
All Angles 90°  
All outside corners 0.125" fillet  
Unless Otherwise Specified

Tolerance Unless Otherwise Specified  
X.X ±.125  
X.XX ±.060  
X.XXX ±.030  
Angles ±1°



N120 W18485 FREISTADT RD  
GERMANTOWN, WI 53022  
Tel: (262) 946-7400  
Fax: (262) 946-7401



Third Angle Projection

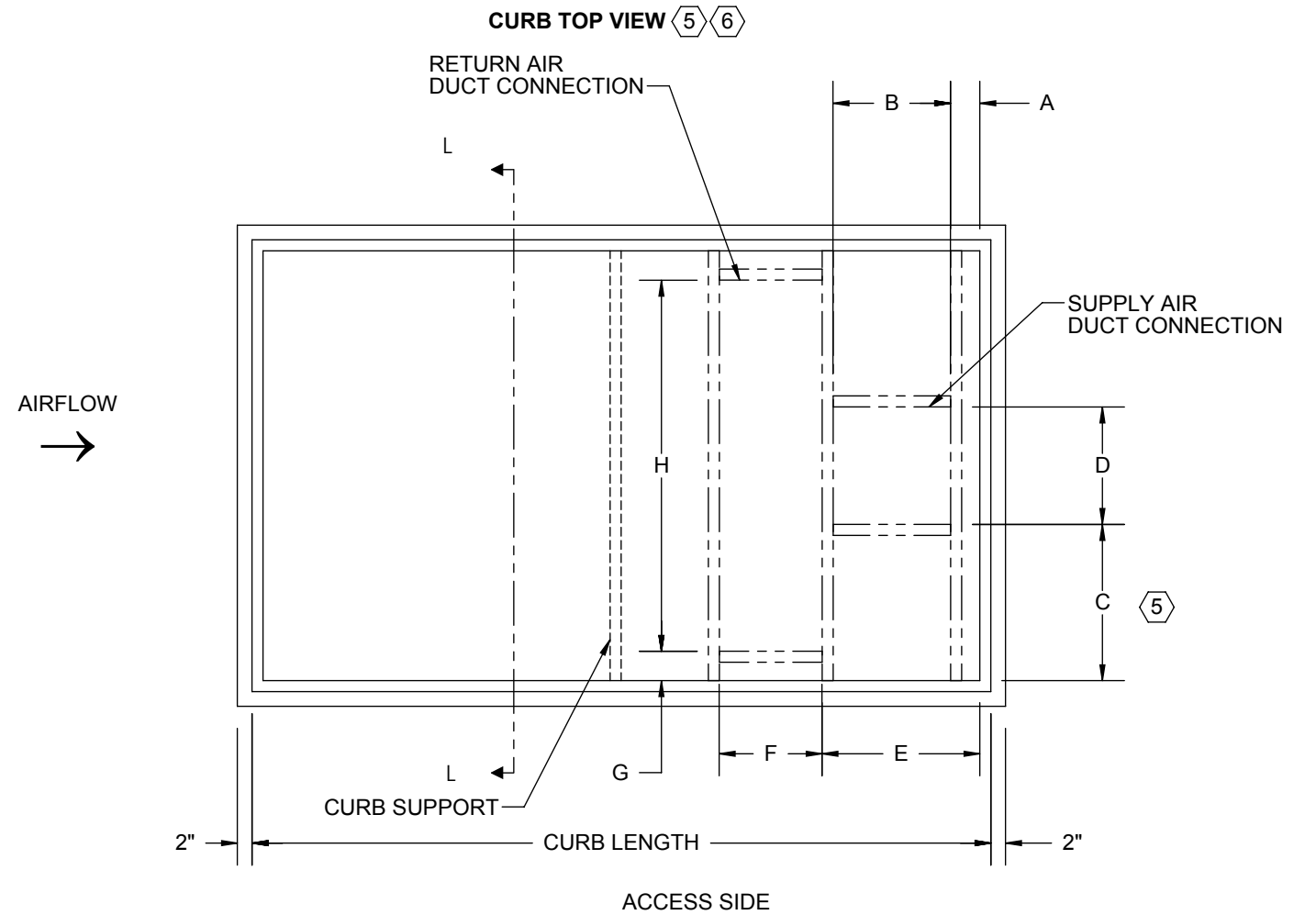
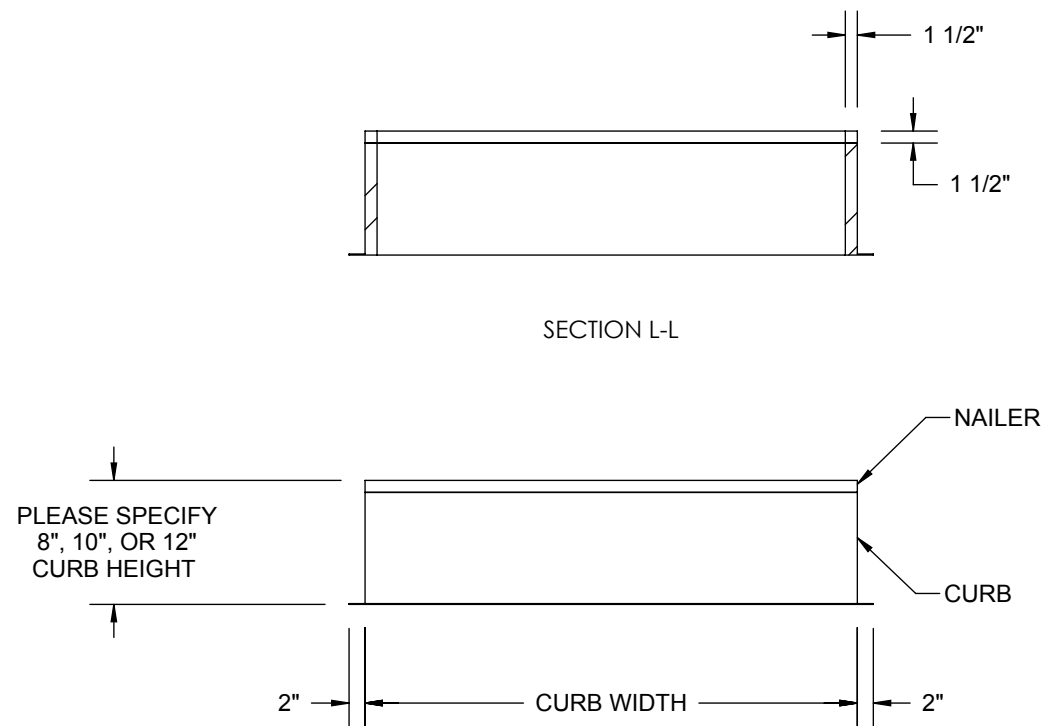
ALL DIMENSIONS ARE IN INCHES  
FRACTIONAL TOLERANCE ± 1/8"

Part weight

Drawn	BCL	Date Released	5/17/2011	Description	EXT PACKAGED w/ WHEEL
Sheet	3/4			Page Title	DOWN DISCHARGE GA
Scale	NTS		Rev.	3	Drawing Number
					G805-011

**NOTES:**  
 REFER TO SHEET 1 FOR GENERAL NOTES.  
 CURBS 120" AND LESS ARE SHIPPED AS COMPLETE CURBS. GREATER THAN 120" ARE SHIPPED KNOCKED DOWN.  
 NUMBER AND LOCATION OF CROSS SUPPORT(S) IS DEPENDANT UPON THE GAUGE OF MATERIAL USED TO CONSTRUCT THE CURB, DUCT SUPPORT CONFIGURATION, LENGTH OF CURB, AND WIDTH OF CURB. INSTALLATION INSTRUCTIONS INCLUDED WITH CURB SHIPMENT INDICATE THE REQUIRED POSITION FOR FIELD ASSEMBLED CURBS.

DOWN/DOWN FLOW ROOFCURB DIM S												
UNIT SIZE (TONS)	UNIT CABINET SIZES	CURB P/N	WIDTH (in.)	LENGTH (in.)	SUPPLY DISCHARGE (in.)				RETURN INTAKE (in.)			
					A	B	C (5)	D	E	F	G	H
02	36-H	CB02WPCN06-XX	41 1/8	148 7/8	33 1/2	12 3/4	12 3/8	13 1/4	47 3/4	13	9	31
03		CB03WPCN06-XX	41 1/8	148 7/8	33 1/2	12 3/4	12 3/8	13 1/4	47 3/4	13	9	31
05	44-H	CB05WPCN06-XX	46 1/2	176 5/8	53 1/2	11 1/2	15 3/4	12	66 5/8	17	9 1/4	36
08	50-H	CB08WPCN07-XX	53 1/8	206 5/8	57 3/8	16	17 1/4	15 3/4	75	18	9	43
10	60-H	CB10WPCN07-XX	64 1/2	217 1/8	66 3/8	16	21 3/8	18 3/4	84	30	9 1/4	54
15	72-H	CB15WPCN07-XX	79 1/2	233 1/8	71	16	28 7/8	18 3/4	88 1/2	31	9 1/4	69
20	78-H	CB20WPCN07-XX	82 1/2	276 5/8	101	28 3/8	25 5/8	28 3/8	130 7/8	32	9 1/4	72
25		CB25WPCN07-XX	82 1/2	276 5/8	101	28 3/8	25 5/8	28 3/8	130 7/8	32	9 1/4	72
30		CB30WPCN07-XX	82 1/2	276 5/8	101	28 3/8	25 5/8	28 3/8	130 7/8	32	9 1/4	72



----- DUCT CONNECTIONS FOR DOWN DISCHARGE / DOWN RETURN

Desert Aire has a policy of continuous product and quality improvement. Specifications and dimensions are subject to change without notice. This drawing and information contained herein are the exclusive property of the Desert Aire Corporation. Any use detrimental to the interests of Desert Aire is prohibited.	All Dimensions in Inches All Angles 90° All outside corners 0.125" fillet Unless Otherwise Specified	Tolerance Unless Otherwise Specified X.X ±.125 X.XX ±.060 X.XXX ±.030 Angles ±1°	N120 W18485 FREISTADT RD GERMANTOWN, WI 53022 Tel: (262) 946-7400 Fax: (262) 946-7401	
				Drawn: BCL Date Released: 5/17/2011 Description: EXT PACKAGED w/ WHEEL
				Sheet: 4/4 Page Title: CURB DETAILS GA
				Scale: NTS Rev: 3 Drawing Number: G805-011



ALL DIMENSIONS ARE IN INCHES  
 FRACTIONAL TOLERANCE ± 1/8"