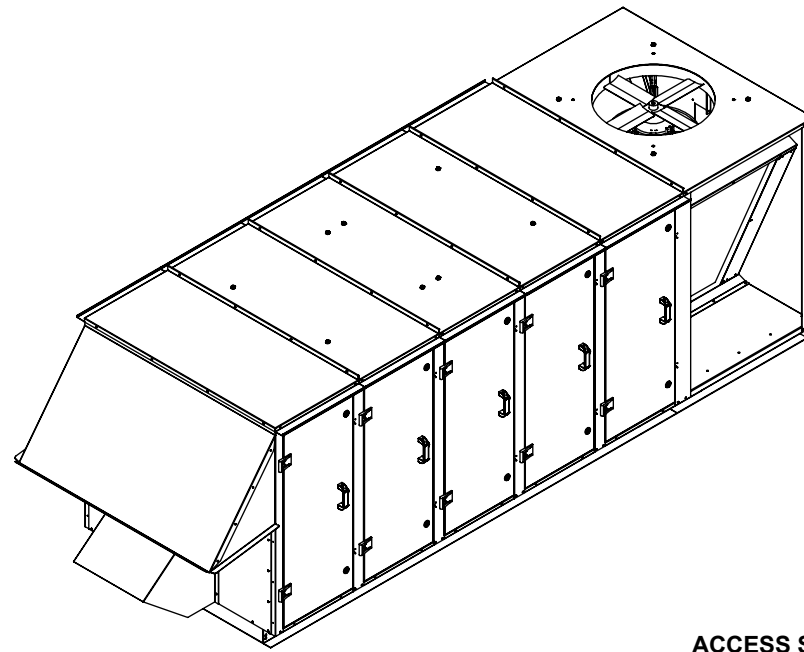
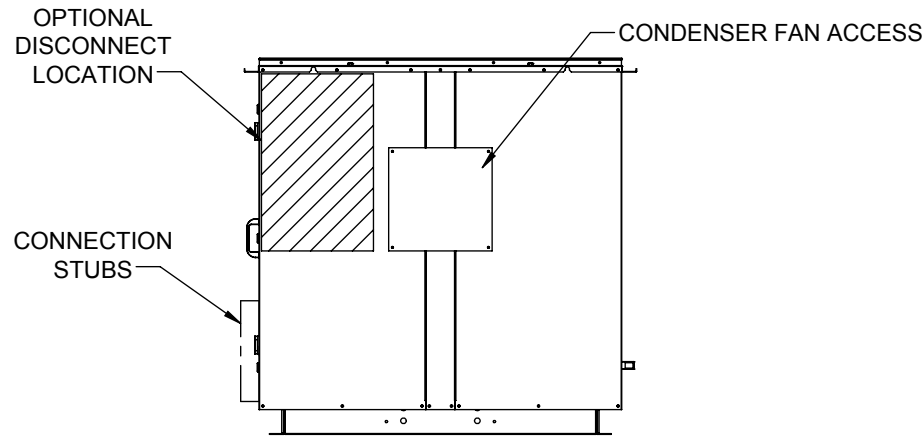


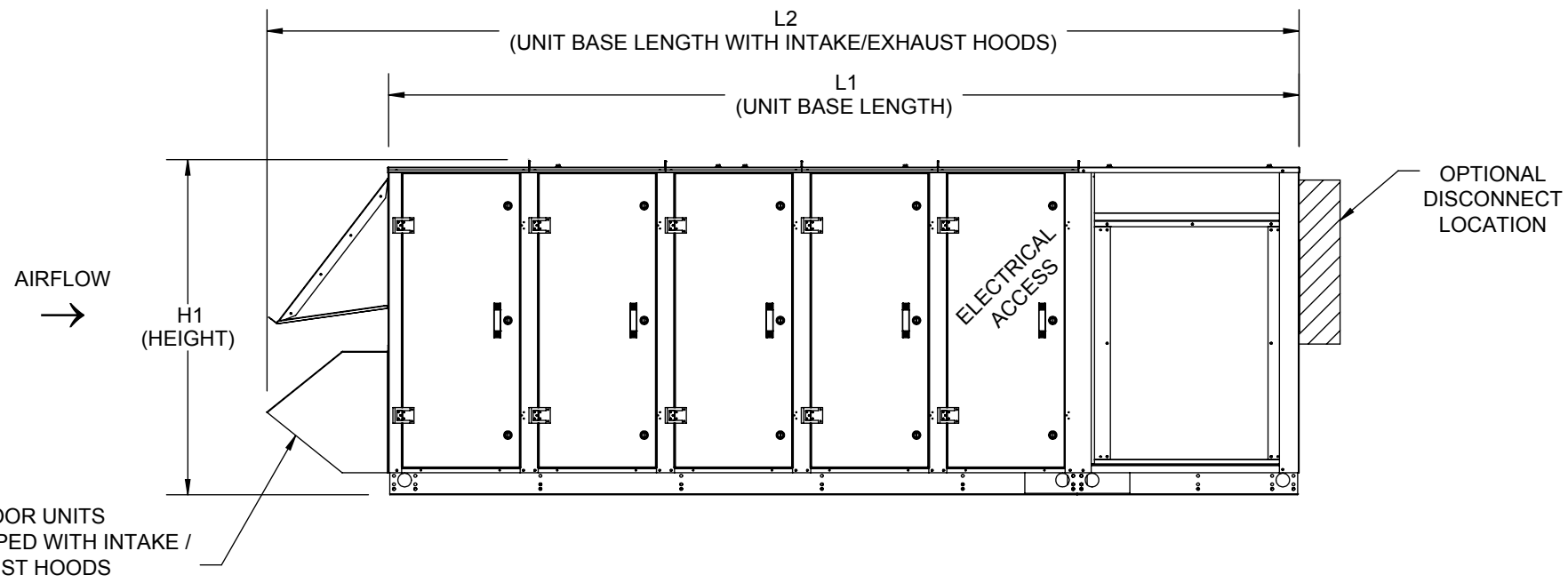
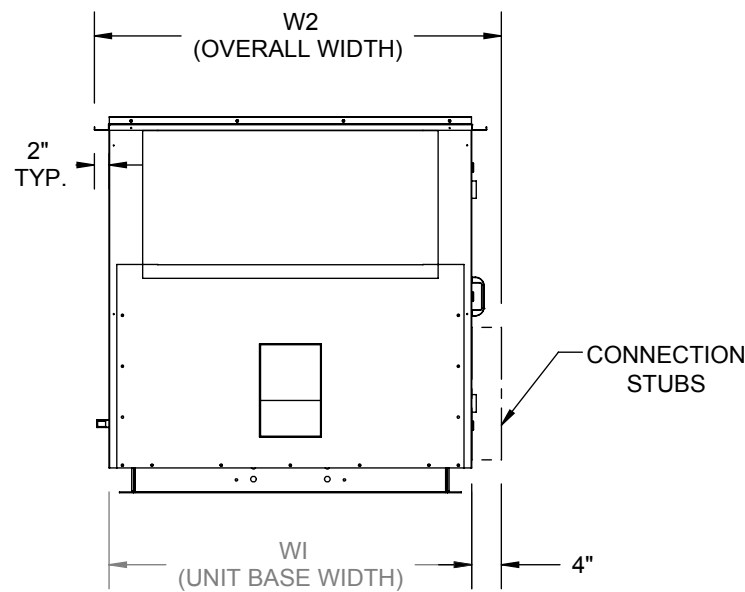
AIR FLOW	UNIT SIZE (TONS)	UNIT CABINET SIZES	L1	W1	H1	L2	W2
DOWN FLOW	02	36-H	138 7/8	49 1/8	51 1/8	157 3/8	55 1/8
	03		138 7/8	49 1/8	51 1/8	157 3/8	55 1/8
	05	44-H	165 3/8	54 1/2	55	183 3/4	60 1/2
	08	50-H	194 5/8	61 1/8	63	218	67 1/8
	10	60-H	207 3/8	72 1/2	75 1/4	230 3/4	78 1/2
	15	72-H	221 5/8	87 1/2	83 3/8	250	93 1/2
	20	78-H	263 3/8	90 1/2	92 5/8	292 1/4	96 1/2
	25		263 3/8	90 1/2	92 5/8	292 1/4	96 1/2
30	263 3/8		90 1/2	92 5/8	292 1/4	96 1/2	

CONDENSER ACCESS VIEW (2)(6)(7)



ACCESS SIDE VIEW (2)(6)(7)

O/A INTAKE / EXHAUST VIEW (2)(6)(7)



GENERAL NOTES AS REFERENCED BY INDIVIDUAL SHEETS:

- (1) PORTION OF SECTIONED OR DETAILED DRAWING HAS BEEN OMITTED FOR CLARITY.
- (2) HOODS OMITTED FOR CLARITY.
- (3) VIEW IS FOR PICTORAL PURPOSES. REFER TO PAGE 1 FOR UNIT TYPE SPECIFIC VIEW.
- (4) REFER TO SUBMITTAL FOR CUSTOMER CONNECTION LOCATIONS.
- (5) DIMENSIONS ARE TO ACCESS SIDE OF UNIT.
- (6) RH ACCESS SHOWN FOR DISPLAY PURPOSES. ACCESS DOOR CONFIGURATION MAY CHANGE DEPENDING ON UNIT SIZE.
- (7) REFER TO SHEET 3,4, FOR INTAKE AND DISCHARGE CONNECTION DIMENSIONS.

Desert Aire has a policy of continuous product and quality improvement. Specifications and dimensions are subject to change without notice. This drawing and information contained herein are the exclusive property of the Desert Aire Corporation. Any use detrimental to the interests of Desert Aire is prohibited.

All Dimensions in Inches
All Angles 90°
All outside corners 0.125" fillet
Unless Otherwise Specified

Tolerance Unless Otherwise Specified
X.X ±.125
X.XX ±.060
X.XXX ±.030
Angles ±1°

DESERT AIRE
N120 W18485 FREISTADT RD
GERMANTOWN, WI 53022
Tel: (262) 946-7400
Fax: (262) 946-7401



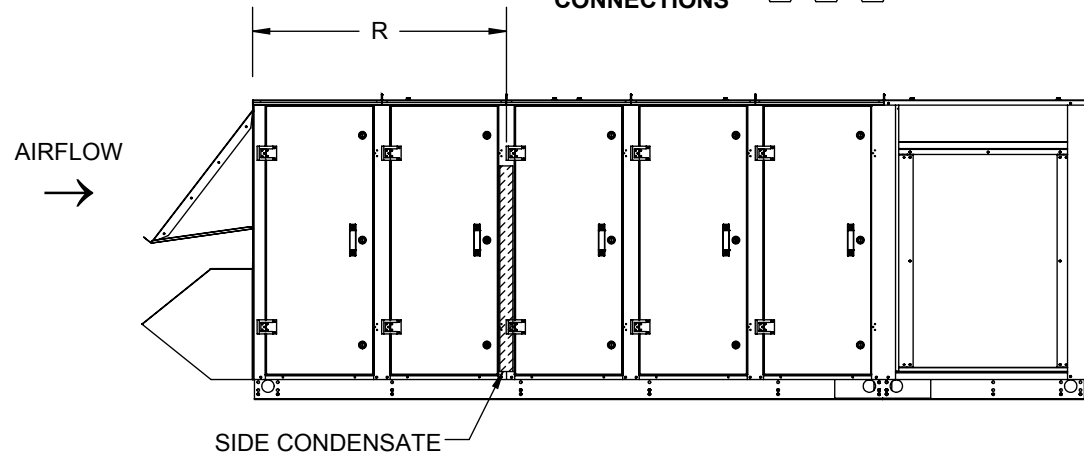
Third Angle Projection

Part weight

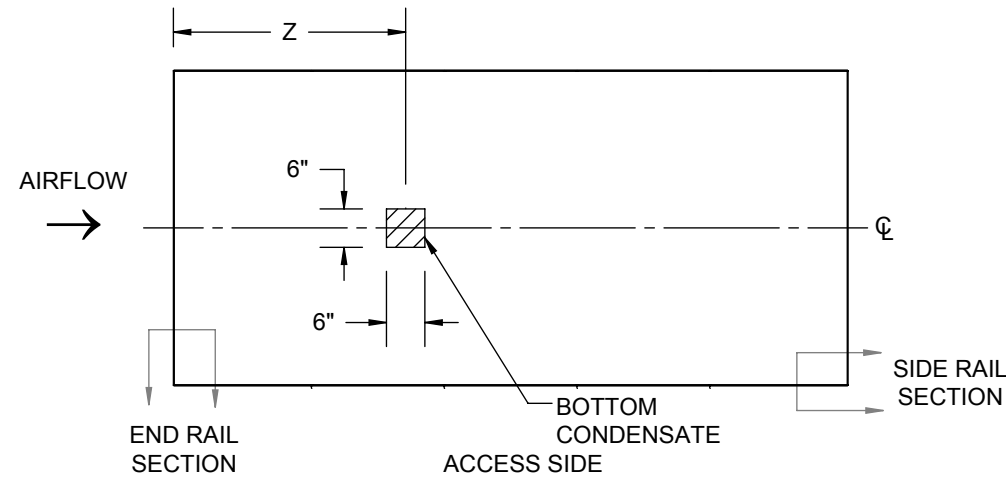
Drawn	Date Released	Description
BCL	5/17/2011	PACKAGED w/ENTHALPY WHEEL
Sheet	1/4	Page Title
		GENERAL ARRANGEMENT
Scale	Rev.	Drawing Number
NTS	3	G805-005

NOTES:
REFER TO SHEET 1 FOR GENERAL NOTES.

SIDE CUSTOMER CONNECTIONS ②⑥⑦



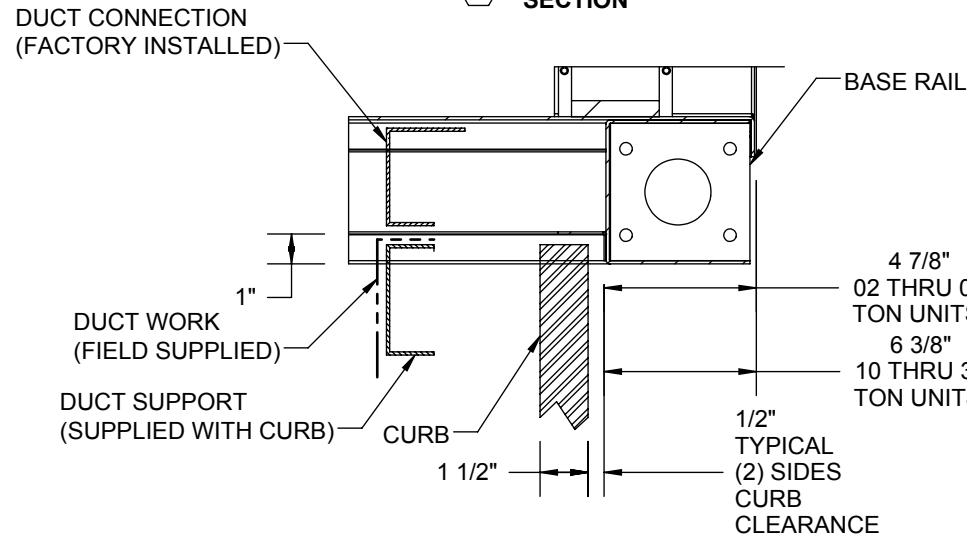
BOTTOM CUSTOMER CONNECTIONS (VIEW FROM ABOVE) ②③④⑤⑥



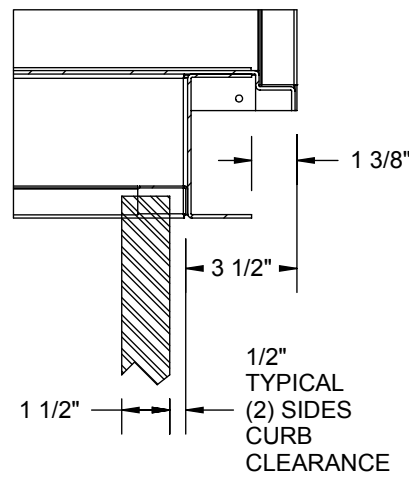
AIR FLOW	UNIT SIZE (TONS)	UNIT CABINET SIZES	R	Z
DOWNFLOW	02	36-H	63 1/8	52 3/8
	03		63 1/8	52 3/8
	05	44-H	67	54 7/8
	08	50-H	68 5/8	55 3/4
	10	60-H	70 1/2	57
	15	72-H	75 3/8	60 1/4
	20	78-H	81 1/4	69 7/8
	25		81 1/4	69 7/8
30	81 1/4		69 7/8	

02 THRU 30 TON UNITS

① **END RAIL SECTION**



① **SIDE RAIL SECTION**



UNIT SIZE (TONS)	CAB	FILTER LOCATION	DA PART #			NOM W	NOM H	TOTAL QTY
			4" MERV	4" MERV	2" PRE			
2-3	36-H	S & E	870-041	870-131	870-043	20	24	4
5	44-H	S & E	870-056	870-133	870-057	18	24	6
8	50-H	S & E	870-041	870-131	870-043	20	24	6
10	60-H	S & E	870-012	870-130	870-009	24	24	6
15	72-H	Supply	870-030	870-135	870-015	16	25	3
		Supply	870-011	870-134	870-016	20	25	2
		Exhaust	870-030	870-135	870-015	16	25	2
		Exhaust	870-028	870-128	870-022	16	20	6
20-30	78-H	Supply	870-010	870-129	870-005	20	20	4
		Supply	870-011	870-134	870-016	20	25	4
		Exhaust	870-030	870-135	870-015	16	25	4
		Exhaust	870-028	870-128	870-022	16	20	4

CUSTOMER CONNECTION LINE SIZE SUMMARY (in.)									
Unit Size	2 TONS	3 TONS	5 TONS	8 TONS	10 TONS	15 TONS	20 TONS	25 TONS	30 TONS
CONDENSATE	1	1	1	1	1	1	1	1	1

Desert Aire has a policy of continuous product and quality improvement. Specifications and dimensions are subject to change without notice. This drawing and information contained herein are the exclusive property of the Desert Aire Corporation. Any use detrimental to the interests of Desert Aire is prohibited.

All Dimensions in Inches
All Angles 90°
All outside corners 0.125" fillet
Unless Otherwise Specified

Tolerance Unless Otherwise Specified
X.X ±.125
X.XX ±.060
X.XXX ±.030
Angles ±1°

DESERT AIRE
N120 W18485 FREISTADT RD
GERMANTOWN, WI 53022
Tel: (262) 946-7400
Fax: (262) 946-7401

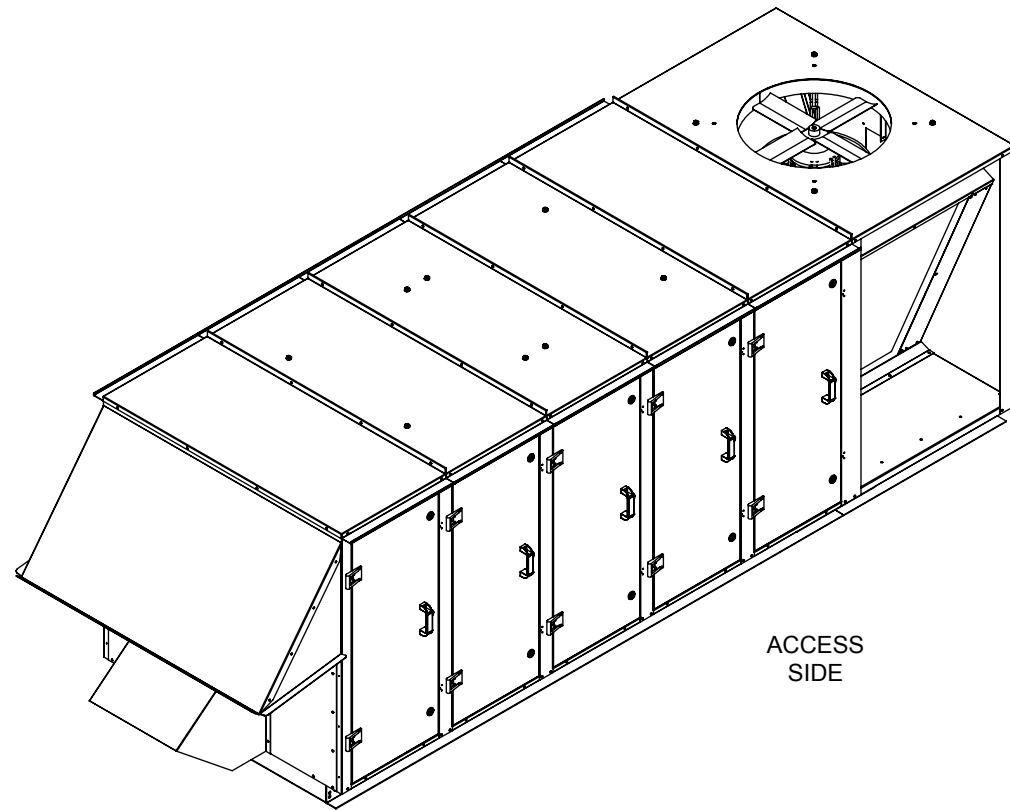
Third Angle Projection

Part weight

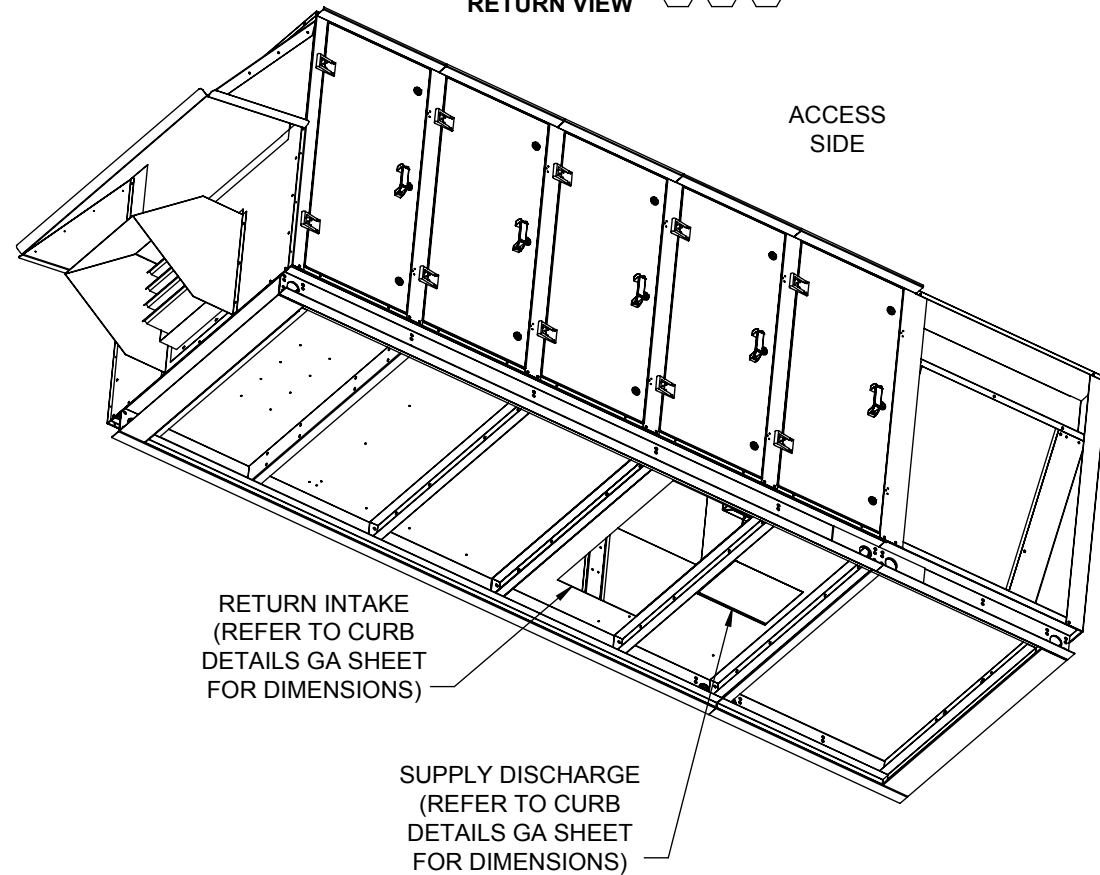
Drawn	Date Released	Description
BCL	5/17/2011	PACKAGED w/ENTHALPY WHEEL
Sheet	2/4	Page Title
Scale	NTS	Drawing Number
Rev.	3	G805-005

ALL DIMENSIONS ARE IN INCHES
FRACTIONAL TOLERANCE ± 1/8"

O/A INTAKE / EXHAUST VIEW 3 5 6



DISCHARGE / RETURN VIEW 3 5 6



NOTES:
 REFER TO SHEET 1 FOR GENERAL NOTES.
 WEIGHTS SHOWN REFLECT FULLY OPTIONED ESTIMATED UNIT WEIGHT.
 REFER TO CURB DETAILS GA SHEET FOR SUPPLY DUCT DIMENSION AND LOCATIONS.

UNIT SIZE (TONS)	UNIT CABINET SIZES	DOWN DISCHARGE, DOWN RETURN
		TOTAL ESTIMATED WEIGHT (LBS)
02	36-H	2102
03		2166
05	44-H	2703
08	50-H	3411
10	60-H	4370
15	72-H	6096
20	78-H	7253
25		9294
30		9419

Desert Aire has a policy of continuous product and quality improvement. Specifications and dimensions are subject to change without notice. This drawing and information contained herein are the exclusive property of the Desert Aire Corporation. Any use detrimental to the interests of Desert Aire is prohibited.

All Dimensions in Inches
 All Angles 90°
 All outside corners 0.125" fillet
 Unless Otherwise Specified

Tolerance Unless Otherwise Specified
 X.X ±.125
 X.XX ±.060
 X.XXX ±.030
 Angles ±1°

DESERT AIRE
 N120 W18485 FREISTADT RD
 GERMANTOWN, WI 53022
 Tel: (262) 946-7400
 Fax: (262) 946-7401



Third Angle Projection

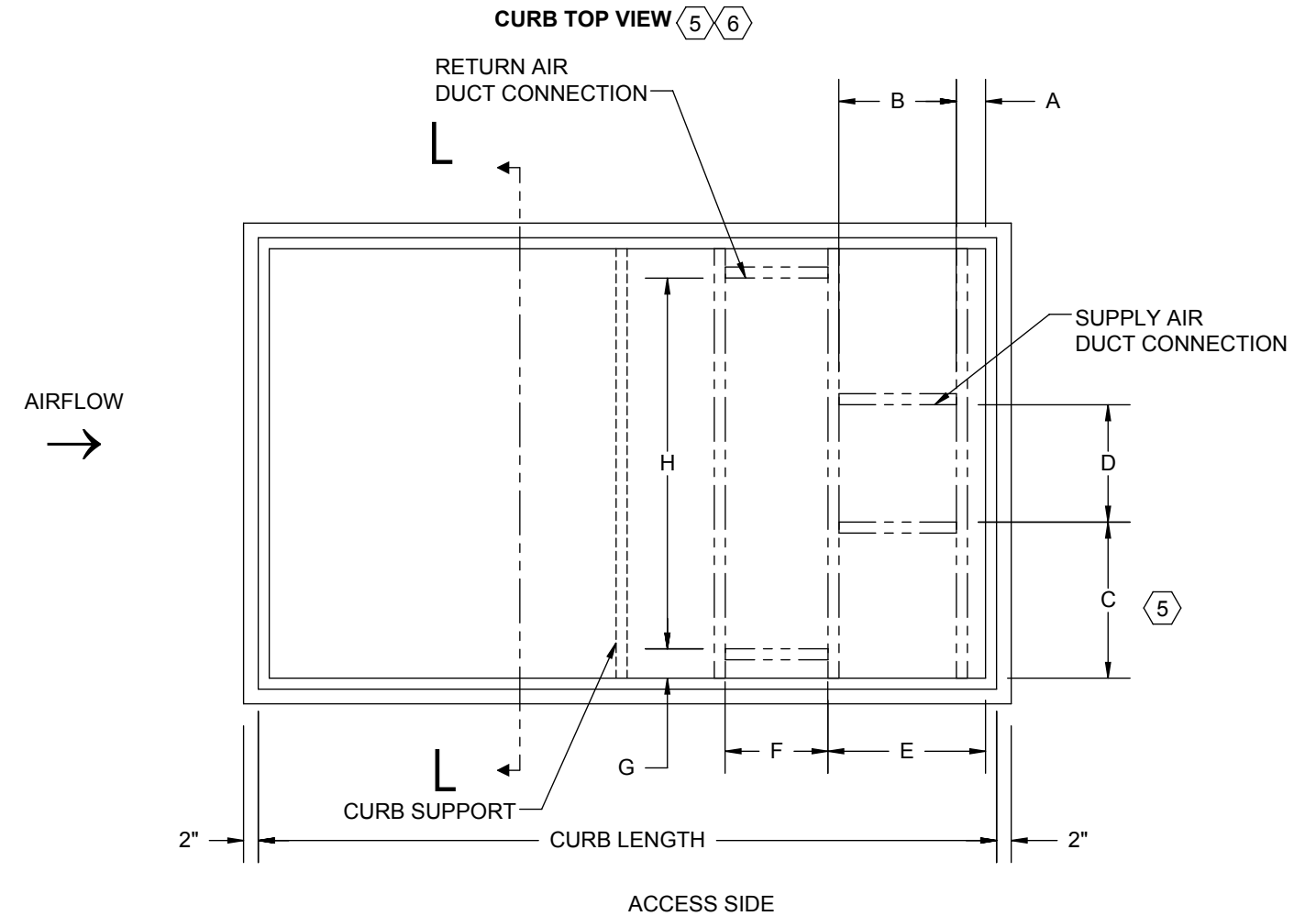
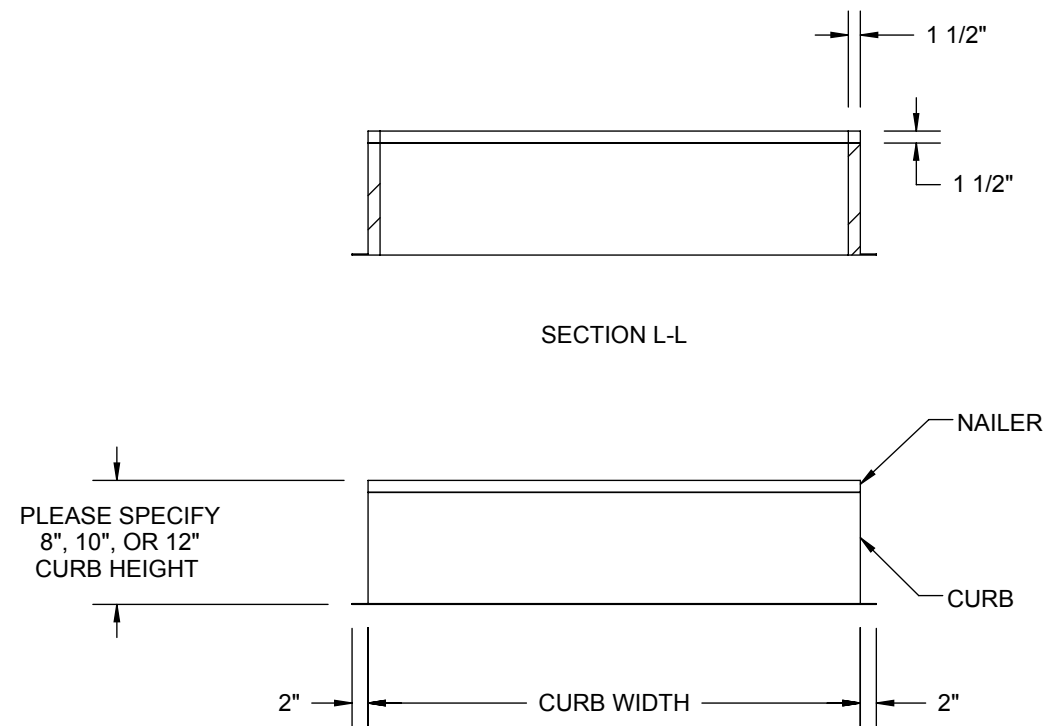
ALL DIMENSIONS ARE IN INCHES
 FRACTIONAL TOLERANCE ± 1/8"

Part weight

Drawn	Date Released	Description
BCL	5/17/2011	PACKAGED w/ENTHALPY WHEEL
Sheet	Page Title	
3/4	DOWN DISCHARGE GA	
Scale	Rev.	Drawing Number
NTS	3	G805-005

NOTES:
 REFER TO SHEET 1 FOR GENERAL NOTES.
 CURBS 120" AND LESS ARE SHIPPED AS COMPLETE CURBS. GREATER THAN 120" ARE SHIPPED KNOCKED DOWN.
 NUMBER AND LOCATION OF CROSS SUPPORT(S) IS DEPENDANT UPON THE GAUGE OF MATERIAL USED TO CONSTRUCT THE CURB, DUCT SUPPORT CONFIGURATION, LENGTH OF CURB AND WIDTH OF CURB.
 INSTALLATION INSTRUCTIONS INCLUDED WITH CURB SHIPMENT INDICATE THE REQUIRED POSITION FOR FIELD ASSEMBLED CURBS

DOWN/DOWN FLOW ROOFCURB DIMS												
UNIT SIZE (TONS)	UNIT CABINET SIZES	CURB P/N	WIDTH (in.)	LENGTH (in.)	SUPPLY DISCHARGE (in.)				RETURN INTAKE (in.)			
					A	B	C ⁽⁵⁾	D	E	F	G	H
02	36-H	CB02WPCN05-XX	41 1/8	128 1/8	29 1/2	12 3/4	12 3/8	13 1/4	43 5/8	13	9	31
03		CB03WPCN05-XX	41 1/8	128 1/8	29 1/2	12 3/4	12 3/8	13 1/4	43 5/8	13	9	31
05	44-H	CB05WPCN05-XX	46 1/2	154 5/8	49 1/2	11 1/2	15 3/4	12	62 1/2	17	9 1/4	36
08	50-H	CB08WPCN06-XX	53 1/8	183 7/8	57 3/8	16	17 1/4	15 3/4	75	18	9	43
10	60-H	CB10WPCN06-XX	64 1/2	193 5/8	66 3/8	16	21 3/8	18 3/4	84	30	9 1/4	54
15	72-H	CB15WPCN06-XX	79 1/2	207 7/8	71	16	28 7/8	18 3/4	88 1/2	31	9 1/4	69
20	78-H	CB20WPCN06-XX	82 1/2	249 5/8	101	28 3/8	25 5/8	28 3/8	130 7/8	32	9 1/4	72
25		CB25WPCN06-XX	82 1/2	249 5/8	101	28 3/8	25 5/8	28 3/8	130 7/8	32	9 1/4	72
30		CB30WPCN06-XX	82 1/2	249 5/8	101	28 3/8	25 5/8	28 3/8	130 7/8	32	9 1/4	72



Desert Aire has a policy of continuous product and quality improvement. Specifications and dimensions are subject to change without notice. This drawing and information contained herein are the exclusive property of the Desert Aire Corporation. Any use detrimental to the interests of Desert Aire is prohibited.	All Dimensions in Inches All Angles 90° All outside corners 0.125" fillet Unless Otherwise Specified	Tolerance Unless Otherwise Specified X.X ±.125 X.XX ±.060 X.XXX ±.030 Angles ±1°	N120 W18485 FREISTADT RD GERMANTOWN, WI 53022 Tel: (262) 946-7400 Fax: (262) 946-7401
ALL DIMENSIONS ARE IN INCHES FRACTIONAL TOLERANCE ± 1/8"	Third Angle Projection	Sheet: 4/4 Page Title: CURB DETAILS GA	Scale: NTS Rev: 3 Drawing Number: G805-005