

AIR FLOW	UNIT SIZE (TONS)	UNIT CABINET SIZES	L1	W1	H1	L2	W2
END FLOW	02	24	80 3/8	37 1/8	43 7/8	102 3/8	43 1/8
	03		80 3/8	37 1/8	43 7/8	102 3/8	43 1/8
	05		80 3/8	37 1/8	43 7/8	102 3/8	43 1/8
	10	36	105 3/8	49 1/8	48 5/8	129 3/4	55 1/8
			105 3/8	49 1/8	48 5/8	129 3/4	55 1/8
			105 3/8	49 1/8	48 5/8	129 3/4	55 1/8
	20	44	111 7/8	54 1/2	52 5/8	138 1/4	60 1/2
			114 3/8	61 1/8	63 1/8	144 3/4	67 1/8
	30	50	114 3/8	61 1/8	63 1/8	144 3/4	67 1/8
			117 3/8	72 1/2	75 3/8	153 1/8	78 1/2
	40	60	117 3/8	72 1/2	75 3/8	153 1/8	78 1/2
			117 3/8	72 1/2	75 3/8	153 1/8	78 1/2
117 3/8			72 1/2	75 3/8	153 1/8	78 1/2	
50	72	125 3/8	87 1/2	83 5/8	165 1/4	93 1/2	
		125 3/8	87 1/2	83 5/8	165 1/4	93 1/2	
		125 3/8	87 1/2	83 5/8	165 1/4	93 1/2	
DOWN FLOW	02	24	80 3/8	37 1/8	43 7/8	102 3/8	43 1/8
	03		80 3/8	37 1/8	43 7/8	102 3/8	43 1/8
	05		80 3/8	37 1/8	43 7/8	102 3/8	43 1/8
	10	36	105 3/8	49 1/8	48 5/8	129 3/4	55 1/8
			105 3/8	49 1/8	48 5/8	129 3/4	55 1/8
			105 3/8	49 1/8	48 5/8	129 3/4	55 1/8
	20	44	111 7/8	54 1/2	52 5/8	138 1/4	60 1/2
			114 3/8	61 1/8	63 1/8	144 3/4	67 1/8
	30	50	114 3/8	61 1/8	63 1/8	144 3/4	67 1/8
			117 3/8	72 1/2	75 3/8	153 1/8	78 1/2
	40	60	117 3/8	72 1/2	75 3/8	153 1/8	78 1/2
			117 3/8	72 1/2	75 3/8	153 1/8	78 1/2
117 3/8			72 1/2	75 3/8	153 1/8	78 1/2	
50	72	125 3/8	87 1/2	83 5/8	165 1/4	93 1/2	
		125 3/8	87 1/2	83 5/8	165 1/4	93 1/2	
		125 3/8	87 1/2	83 5/8	165 1/4	93 1/2	
TOP FLOW	02	24	80 3/8	37 1/8	43 7/8	102 3/8	43 1/8
	03		80 3/8	37 1/8	43 7/8	102 3/8	43 1/8
	05		80 3/8	37 1/8	43 7/8	102 3/8	43 1/8
	10	36	105 3/8	49 1/8	48 5/8	129 3/4	55 1/8
			105 3/8	49 1/8	48 5/8	129 3/4	55 1/8
			105 3/8	49 1/8	48 5/8	129 3/4	55 1/8
	20	44	111 7/8	54 1/2	52 5/8	138 1/4	60 1/2
			114 3/8	61 1/8	63 1/8	144 3/4	67 1/8
	30	50	114 3/8	61 1/8	63 1/8	144 3/4	67 1/8
			117 3/8	72 1/2	75 3/8	153 1/8	78 1/2
	40	60	117 3/8	72 1/2	75 3/8	153 1/8	78 1/2
			117 3/8	72 1/2	75 3/8	153 1/8	78 1/2
117 3/8			72 1/2	75 3/8	153 1/8	78 1/2	
50	72	125 3/8	87 1/2	83 5/8	165 1/4	93 1/2	
		125 3/8	87 1/2	83 5/8	165 1/4	93 1/2	
		125 3/8	87 1/2	83 5/8	165 1/4	93 1/2	

**GENERAL NOTES AS REFERENCED BY INDIVIDUAL SHEETS:**

- (1) PORTION OF SECTIONED OR DETAILED DRAWING HAS BEEN OMITTED FOR CLARITY.
- (2) HOODS OMITTED FOR CLARITY.
- (3) VIEW IS FOR PICTORAL PURPOSES. REFER TO PAGE 1 FOR UNIT TYPE SPECIFIC VIEW.
- (4) REFER TO SUBMITTAL FOR CUSTOMER CONNECTION LOCATIONS.
- (5) DIMENSIONS ARE TO ACCESS SIDE OF UNIT.
- (6) RH ACCESS SHOWN FOR DISPLAY PURPOSES. ACCESS DOOR CONFIGURATION MAY CHANGE DEPENDING ON UNIT SIZE.
- (7) REFER TO SHEET 3,4,5 FOR INTAKE AND DISCHARGE CONNECTION DIMENSIONS.

Desert Aire has a policy of continuous product and quality improvement. Specifications and dimensions are subject to change without notice. This drawing and information contained herein are the exclusive property of the Desert Aire Corporation. Any use detrimental to the interests of Desert Aire is prohibited.

ALL DIMENSIONS ARE IN INCHES FRACTIONAL TOLERANCE ± 1/8"

All Dimensions in Inches  
All Angles 90°  
All outside corners 0.125" fillet  
Unless Otherwise Specified



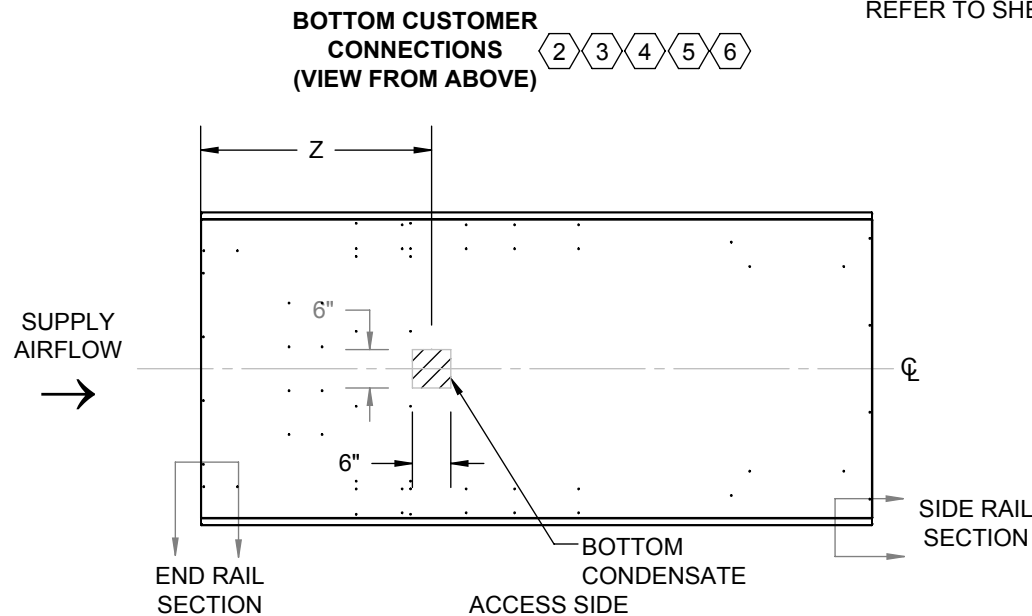
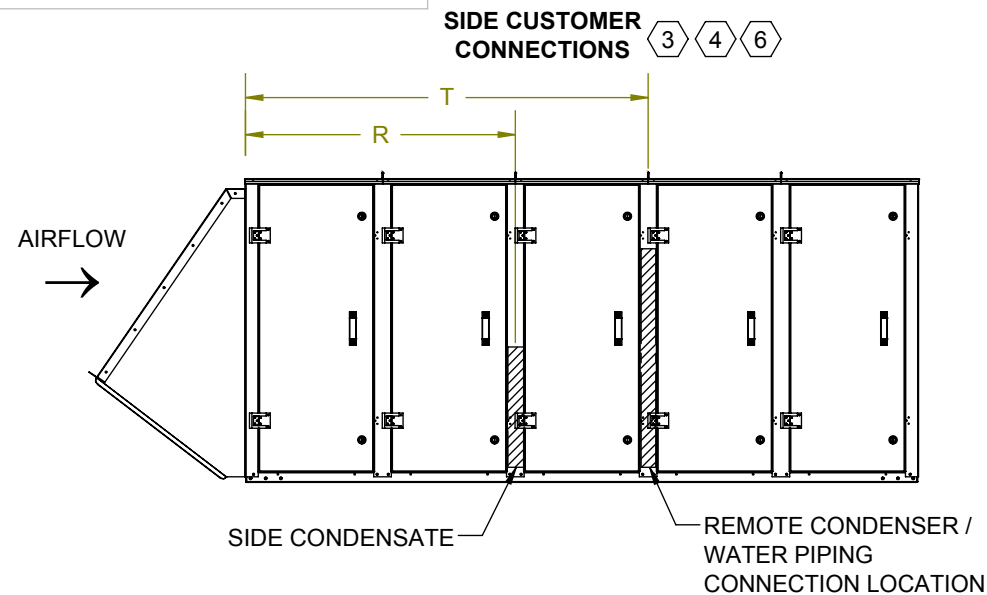
Part weight

Tolerance Unless Otherwise Specified  
X.X ±.125  
X.XX ±.060  
X.XXX ±.030  
Angles ±1°

N120 W18485 FREISTADT RD  
GERMANTOWN, WI 53022  
Tel: (262) 946-7400  
Fax: (262) 946-7401

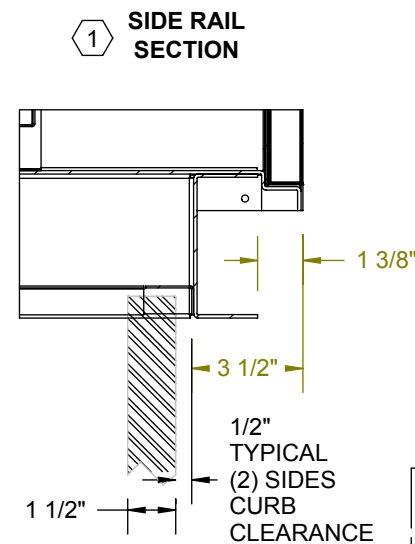
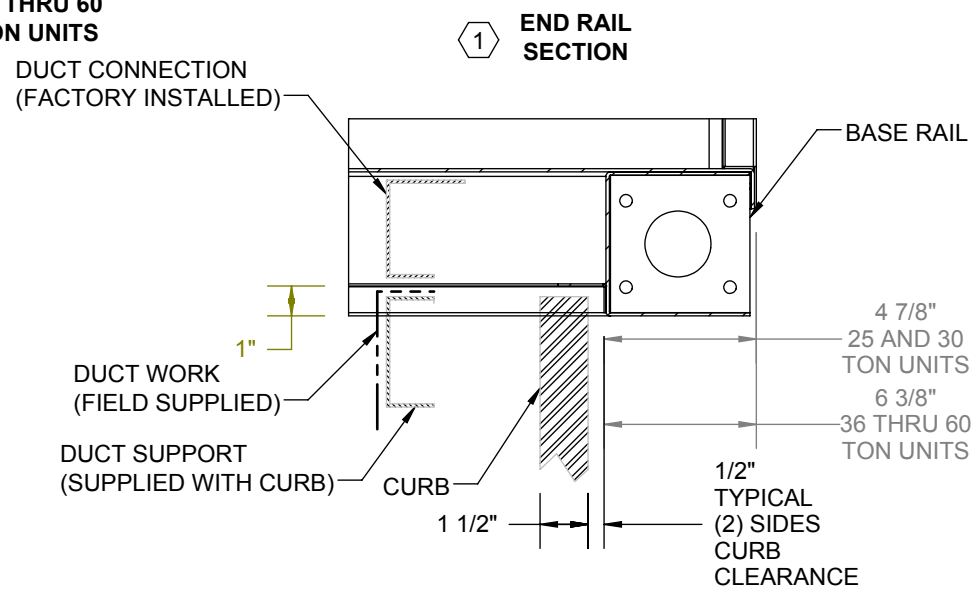
Drawn	Date Released	Description
BCL	5/9/2011	NON-PACKAGED
Sheet	1/6	Page Title
		GENERAL ARRANGEMENT
Scale	Rev.	Drawing Number
NTS	3	G805-001

NOTES:  
REFER TO SHEET 1 FOR GENERAL NOTES.

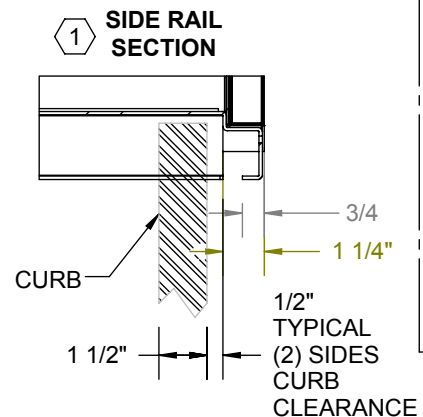
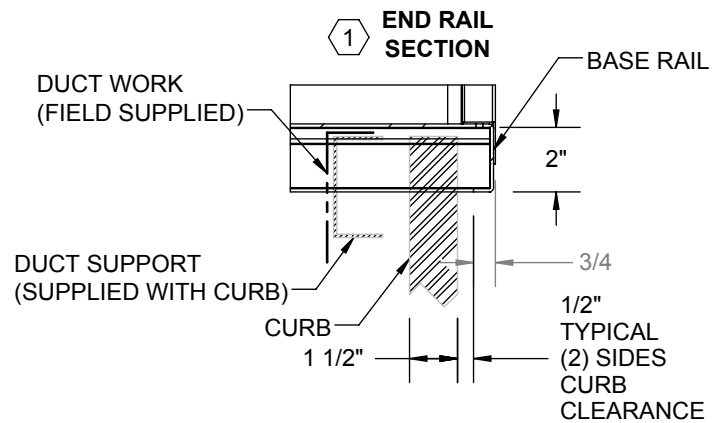


AIR FLOW	UNIT SIZE (TONS)	UNIT CABINET SIZES	R	T	Z		
END FLOW	02	24	27 1/8	27 1/8	30 1/4		
	03		27 1/8	27 1/8	30 1/4		
	05		27 1/8	27 1/8	30 1/4		
	DOWN FLOW	08	36	42 3/8	63 1/8	42 3/8	
		10		42 3/8	63 1/8	42 3/8	
		15		42 3/8	63 1/8	42 3/8	
		20	44	45	67	44 7/8	
		25		50	45 3/4	68 5/8	45 3/4
		30			45 3/4	68 5/8	45 3/4
	TOP FLOW	36	60	46 7/8	70 1/2	47	
		40		46 7/8	70 1/2	47	
		46		46 7/8	70 1/2	47	
50		72	50 1/8	75 3/8	50 1/4		
56			50 1/8	75 3/8	50 1/4		
60			50 1/8	75 3/8	50 1/4		
DOWN FLOW		02	24	27 1/8	27 1/8	30 1/4	
		03		27 1/8	27 1/8	30 1/4	
		05		27 1/8	27 1/8	30 1/4	
		END FLOW	08	36	42 3/8	63 1/8	42 3/8
			10		42 3/8	63 1/8	42 3/8
			15		42 3/8	63 1/8	42 3/8
	20		44	45	67	44 7/8	
	25			50	45 3/4	68 5/8	45 3/4
	30				45 3/4	68 5/8	45 3/4
	TOP FLOW	36	60	46 7/8	70 1/2	47	
		40		46 7/8	70 1/2	47	
		46		46 7/8	70 1/2	47	
50		72	50 1/8	75 3/8	50 1/4		
56			50 1/8	75 3/8	50 1/4		
60			50 1/8	75 3/8	50 1/4		

25 THRU 60 TON UNITS



02 THRU 20 TON UNITS



UNIT SIZE (TONS)	CAB	DA PART #			NOM W	NOM H	QTY
		4\"/>					
2-5	24	870-056	870-133	870-057	18	24	2
8-15	36	870-028	870-128	870-022	16	20	6
20	44	870-028	870-128	870-022	16	20	4
		870-010	870-129	870-005	20	20	2
25-30	50	870-041	870-131	870-043	20	24	6
36-46	60	870-010	870-129	870-005	20	20	6
		870-028	870-128	870-022	16	20	6
50-60	72	870-028	870-128	870-022	16	20	12
		870-041	870-131	870-043	20	24	3

CUSTOMER CONNECTION LINE SIZE SUMMARY (in.)

Unit Size	2 TONS	3 TONS	5 TONS	8 TONS	10 TONS	15 TONS	20 TONS	25 TONS	30 TONS	36 TONS	40 TONS	46 TONS	50 TONS	56 TONS	60 TONS
RC DISCHARGE	1/2	5/8	3/4	7/8	7/8	1 1/8	1 1/8	1 1/8	1 3/8	1 1/8	1 1/8	1 1/8	1 1/8	1 1/8	1 1/8
RC RETURN	3/8	1/2	1/2	5/8	5/8	3/4	3/4	7/8	7/8	3/4	3/4	7/8	7/8	7/8	7/8
WATER INLET	7/8	7/8	1 1/8	1 3/8	1 3/8	1 5/8	2 5/8	2 5/8	2 5/8	2 5/8	3 1/8	3 1/8	3 1/8	3 5/8	3 5/8
WATER OUTLET	7/8	7/8	1 1/8	1 3/8	1 3/8	1 5/8	2 5/8	2 5/8	2 5/8	2 5/8	3 1/8	3 1/8	3 1/8	3 5/8	3 5/8
CONDENSATE	1	1	1	1	1	1	1	1	1	1	1	1	1	1	1

Desert Aire has a policy of continuous product and quality improvement. Specifications and dimensions are subject to change without notice. This drawing and information contained herein are the exclusive property of the Desert Aire Corporation. Any use detrimental to the interests of Desert Aire is prohibited.

All Dimensions in Inches  
All Angles 90°  
All outside corners 0.125\"/>

Tolerance Unless Otherwise Specified  
X.X ±.125  
X.XX ±.060  
X.XXX ±.030  
Angles ±1°



N120 W18485 FREISTADT RD  
GERMANTOWN, WI 53022  
Tel: (262) 946-7400  
Fax: (262) 946-7401



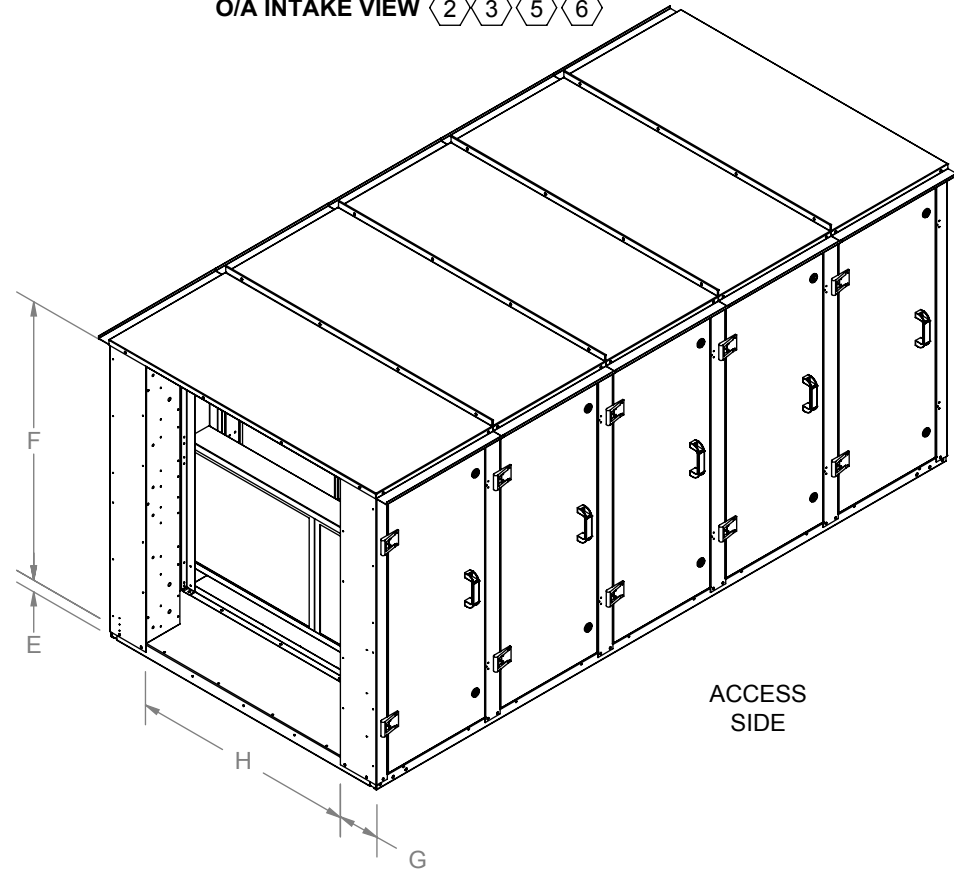
Third Angle Projection

Part weight

Drawn	Date Released	Description
BCL	5/9/2011	NON-PACKAGED
Sheet	2/6	Page Title
		CUSTOMER INTERFACE GA
Scale	Rev.	Drawing Number
NTS	3	G805-001

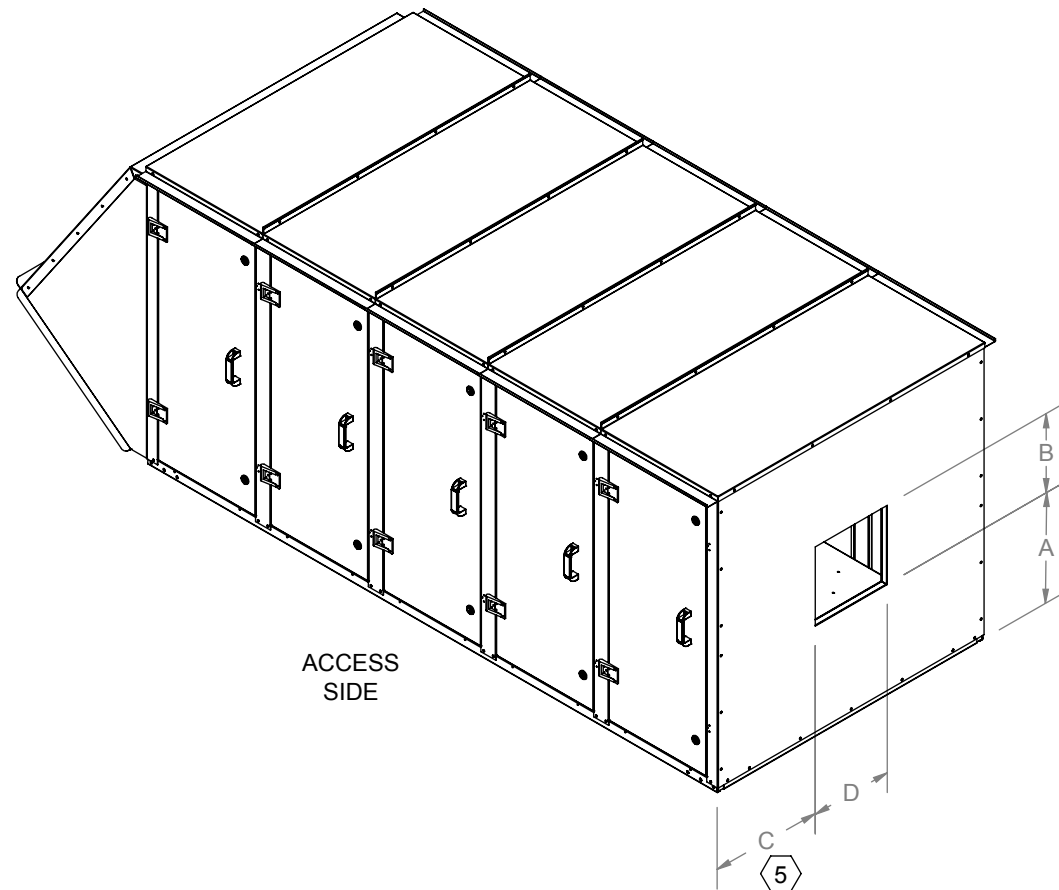
ALL DIMENSIONS ARE IN INCHES  
FRACTIONAL TOLERANCE ± 1/8"

O/A INTAKE VIEW 2 3 5 6



ACCESS SIDE

DISCHARGE VIEW 2 3 5 6



ACCESS SIDE

**NOTES:**  
 REFER TO SHEET 1 FOR GENERAL NOTES.  
 WEIGHTS SHOWN REFLECT FULLY OPTIONED  
 ESTIMATED UNIT WEIGHT.

UNIT SIZE (TONS)	UNIT CABINET SIZES	END DISCHARGE								TOTAL EST. WEIGHT (LBS.)
		SUPPLY DISCHARGE (in.)				O/A INTAKE (in.)				
		A	B	C	D	E	F	G	H	
02	24	3 3/4	11 1/2	13 5/8	9 7/8	2 1/8	39 3/4	6 5/8	23 7/8	1124
03		3 3/4	11 1/2	13 5/8	9 7/8	2 1/8	39 3/4	6 5/8	23 7/8	1148
05		3 3/4	11 1/2	13 5/8	9 7/8	2 1/8	39 3/4	6 5/8	23 7/8	1293
08	36	3 3/4	13 3/4	16 5/8	15 3/4	2 1/8	44 1/2	6 5/8	35 7/8	1954
10		3 3/4	13 3/4	16 5/8	15 3/4	2 1/8	44 1/2	6 5/8	35 7/8	2093
15		3 3/4	13 3/4	16 5/8	15 3/4	2 1/8	44 1/2	6 5/8	35 7/8	2491
20	44	3 3/4	16	17 7/8	18 3/4	2 1/8	48 1/2	5 1/4	43 7/8	2855
25	50	6 1/4	19	19 1/2	22 1/8	4 5/8	56 1/2	5 5/8	49 7/8	3256
30		6 1/4	19	19 1/2	22 1/8	4 5/8	56 1/2	5 5/8	49 7/8	3499
36	60	7 3/4	19	25 1/4	22 1/8	6 1/8	67 1/4	6 1/4	59 7/8	4545
40		7 3/4	19	25 1/4	22 1/8	6 1/8	67 1/4	6 1/4	59 7/8	4698
46		7 3/4	19	25 1/4	22 1/8	6 1/8	67 1/4	6 1/4	59 7/8	4852
50	72	7 3/4	25 3/8	31 1/8	25 1/4	6 1/8	75 1/2	7 3/4	71 7/8	5375
56		7 3/4	25 3/8	31 1/8	25 1/4	6 1/8	75 1/2	7 3/4	71 7/8	5610
60		7 3/4	25 3/8	31 1/8	25 1/4	6 1/8	75 1/2	7 3/4	71 7/8	5748

Desert Aire has a policy of continuous product and quality improvement. Specifications and dimensions are subject to change without notice. This drawing and information contained herein are the exclusive property of the Desert Aire Corporation. Any use detrimental to the interests of Desert Aire is prohibited.

All Dimensions in Inches  
 All Angles 90°  
 All outside corners 0.125" fillet  
 Unless Otherwise Specified

Tolerance Unless  
 Otherwise Specified  
 X.X ±.125  
 X.XX ±.060  
 X.XXX ±.030  
 Angles ±1°

**DESERT  
 AIRE**  
 N120 W18485 FREISTADT RD  
 GERMANTOWN, WI 53022  
 Tel: (262) 946-7400  
 Fax: (262) 946-7401



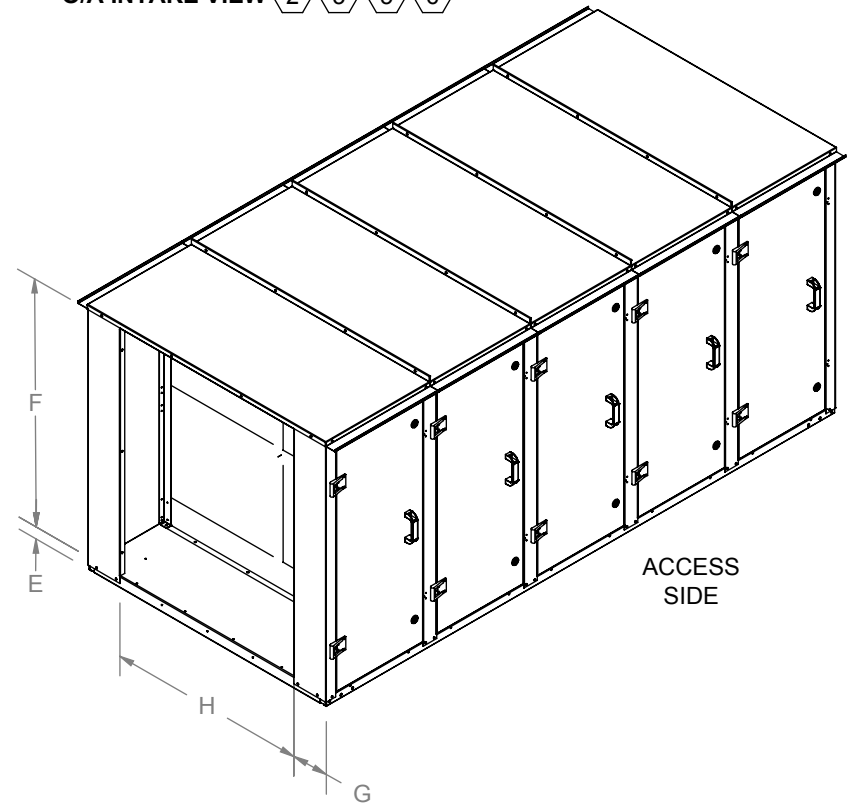
Third Angle Projection

ALL DIMENSIONS ARE IN INCHES  
 FRACTIONAL TOLERANCE ± 1/8"

Part weight

Drawn	Date Released	Description
BCL	5/9/2011	NON-PACKAGED
Sheet	3/6	Page Title
		END DISCHARGE GA
Scale	Rev.	Drawing Number
NTS	3	G805-001

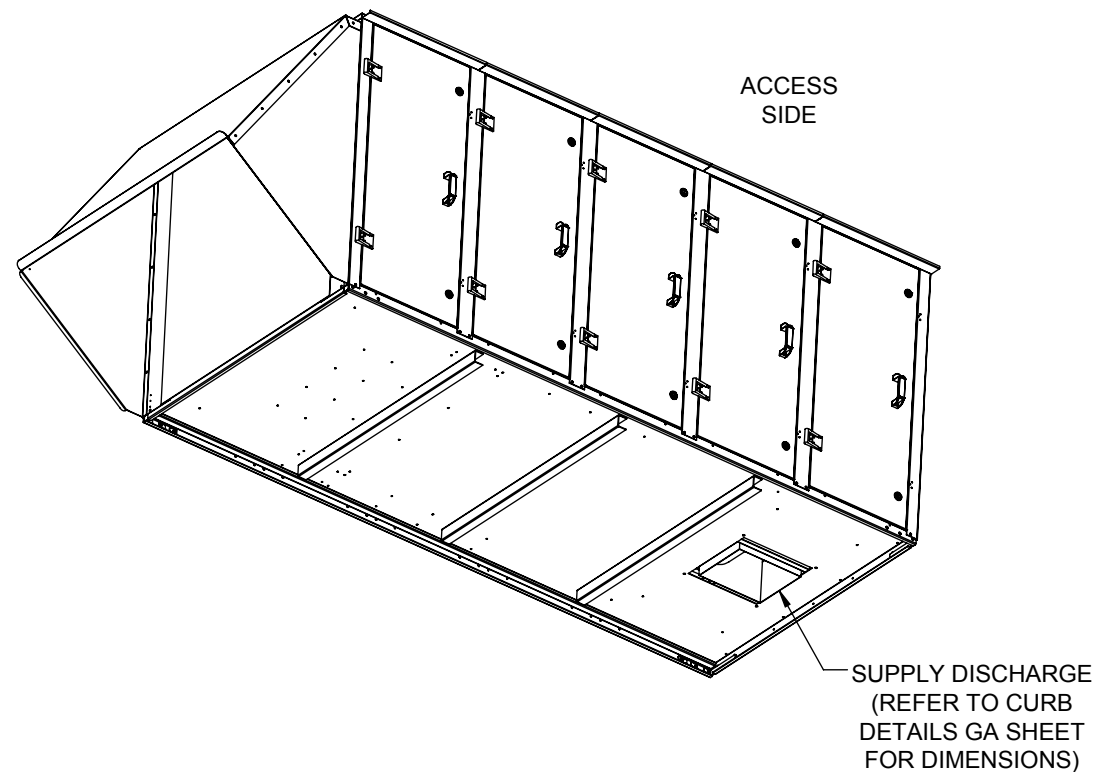
O/A INTAKE VIEW 2 3 5 6



**NOTES:**  
 REFER TO SHEET 1 FOR GENERAL NOTES.  
 WEIGHTS SHOWN REFLECT FULLY OPTIONED  
 ESTIMATED UNIT WEIGHT.  
 REFER TO CURB DETAILS GA SHEET FOR SUPPLY  
 DUCT DIMENSION AND LOCATIONS.

UNIT SIZE (TONS)	UNIT CABINET SIZES	DOWN DISCHARGE				TOTAL EST. WEIGHT (LBS.)
		O/A INTAKE (in.)				
		E	F	G	H	
02	24	2 1/8	39 3/4	6 5/8	23 7/8	1124
03		2 1/8	39 3/4	6 5/8	23 7/8	1148
05		2 1/8	39 3/4	6 5/8	23 7/8	1293
08	36	2 1/8	44 1/2	6 5/8	35 7/8	1954
10		2 1/8	44 1/2	6 5/8	35 7/8	2093
15		2 1/8	44 1/2	6 5/8	35 7/8	2491
20	44	2 1/8	48 1/2	5 1/4	43 7/8	2855
25	50	4 5/8	56 1/2	5 5/8	49 7/8	3256
30		4 5/8	56 1/2	5 5/8	49 7/8	3499
36	60	6 1/8	67 1/4	6 1/4	59 7/8	4545
40		6 1/8	67 1/4	6 1/4	59 7/8	4698
46		6 1/8	67 1/4	6 1/4	59 7/8	4852
50	72	6 1/8	75 1/2	7 3/4	71 7/8	5375
56		6 1/8	75 1/2	7 3/4	71 7/8	5610
60		6 1/8	75 1/2	7 3/4	71 7/8	5748

DISCHARGE VIEW 2 3 5 6



Desert Aire has a policy of continuous product and quality improvement. Specifications and dimensions are subject to change without notice. This drawing and information contained herein are the exclusive property of the Desert Aire Corporation. Any use detrimental to the interests of Desert Aire is prohibited.

All Dimensions in Inches  
 All Angles 90°  
 All outside corners 0.125" fillet  
 Unless Otherwise Specified

Tolerance Unless  
 Otherwise Specified  
 X.X ±.125  
 X.XX ±.060  
 X.XXX ±.030  
 Angles ±1°



N120 W18485 FREISTADT RD  
 GERMANTOWN, WI 53022  
 Tel: (262) 946-7400  
 Fax: (262) 946-7401



Third Angle Projection

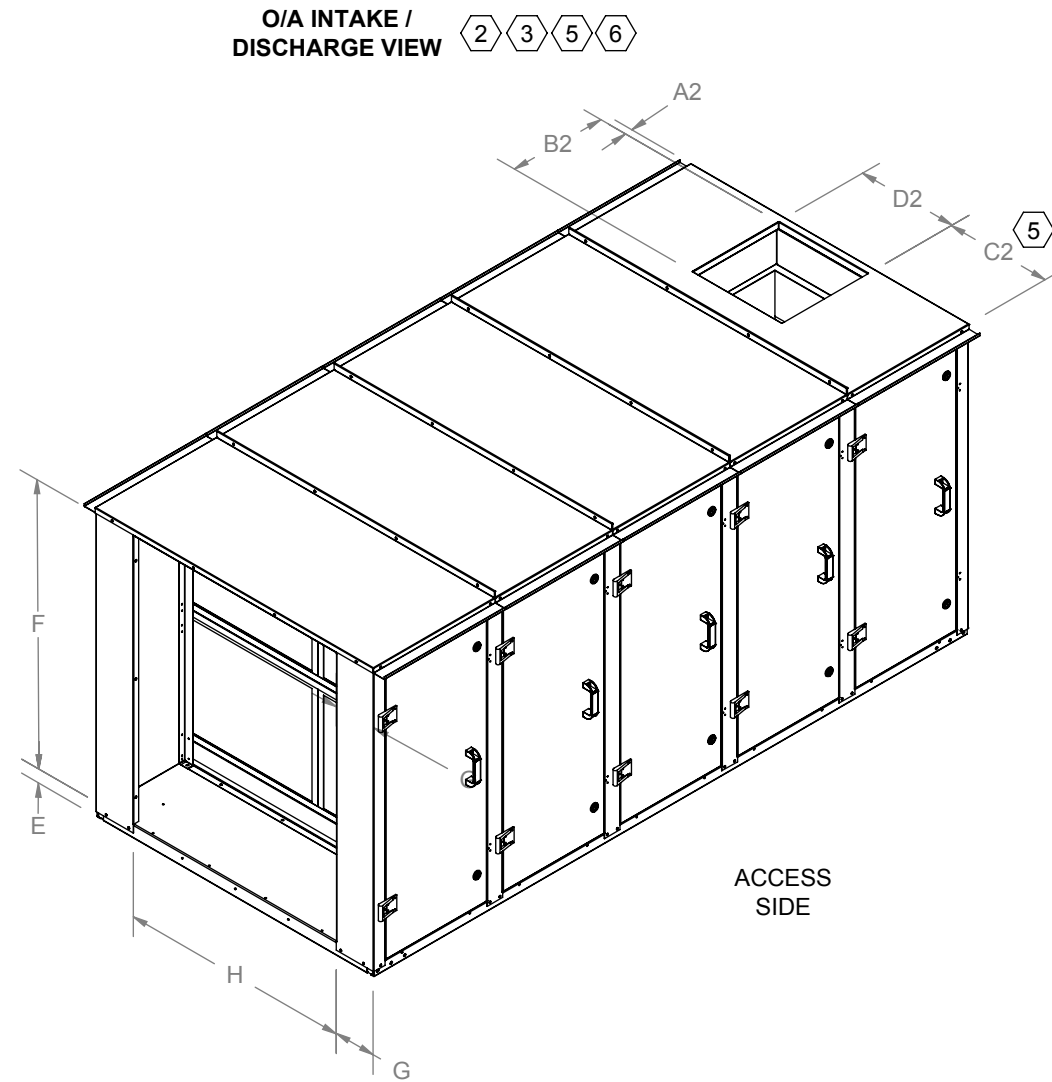
ALL DIMENSIONS ARE IN INCHES  
 FRACTIONAL TOLERANCE ± 1/8"

Part weight

Drawn	Date Released	Description
BCL	5/9/2011	NON-PACKAGED
Sheet	4/6	Page Title
		DOWN DISCHARGE GA
Scale	Rev.	Drawing Number
NTS	3	G805-001

**NOTES:**  
 REFER TO SHEET 1 FOR GENERAL NOTES.  
 WEIGHTS SHOWN REFLECT FULLY OPTIONED  
 ESTIMATED UNIT WEIGHT.

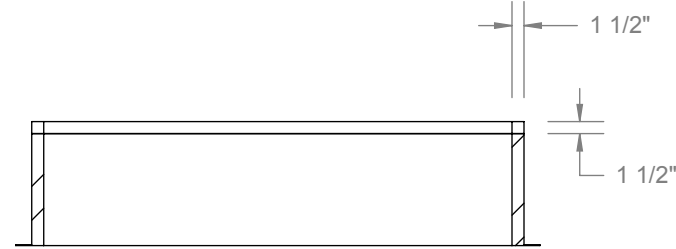
UNIT SIZE (TONS)	UNIT CABINET SIZES	TOP DISCHARGE								TOTAL EST. WEIGHT (LBS.)
		SUPPLY DISCHARGE (in.)				O/A INTAKE (in.)				
		A2	B2	C2	D2	E	F	G	H	
02	24	1 1/4	12 1/2	13 5/8	9 7/8	2 1/8	39 3/4	6 5/8	23 7/8	1124
03		1 1/4	12 1/2	13 5/8	9 7/8	2 1/8	39 3/4	6 5/8	23 7/8	1148
05		1 1/4	12 1/2	13 5/8	9 7/8	2 1/8	39 3/4	6 5/8	23 7/8	1293
08	36	1 1/4	14 3/4	16 5/8	15 3/4	2 1/8	44 1/2	6 5/8	35 7/8	1954
10		1 1/4	14 3/4	16 5/8	15 3/4	2 1/8	44 1/2	6 5/8	35 7/8	2093
15		1 1/4	14 3/4	16 5/8	15 3/4	2 1/8	44 1/2	6 5/8	35 7/8	2491
20	44	1 1/4	17	17 7/8	18 3/4	2 1/8	48 1/2	5 1/4	43 7/8	2855
25	50	1 1/4	20	19 1/2	22 1/8	4 5/8	56 1/2	5 5/8	49 7/8	3256
30		1 1/4	20	19 1/2	22 1/8	4 5/8	56 1/2	5 5/8	49 7/8	3499
36	60	1 1/4	20	25 1/4	22 1/8	6 1/8	67 1/4	6 1/4	59 7/8	4545
40		1 1/4	20	25 1/4	22 1/8	6 1/8	67 1/4	6 1/4	59 7/8	4698
46		1 1/4	20	25 1/4	22 1/8	6 1/8	67 1/4	6 1/4	59 7/8	4852
50	72	1 1/4	26 3/8	31 1/8	25 1/4	6 1/8	75 1/2	7 3/4	71 7/8	5375
56		1 1/4	26 3/8	31 1/8	25 1/4	6 1/8	75 1/2	7 3/4	71 7/8	5610
60		1 1/4	26 3/8	31 1/8	25 1/4	6 1/8	75 1/2	7 3/4	71 7/8	5748



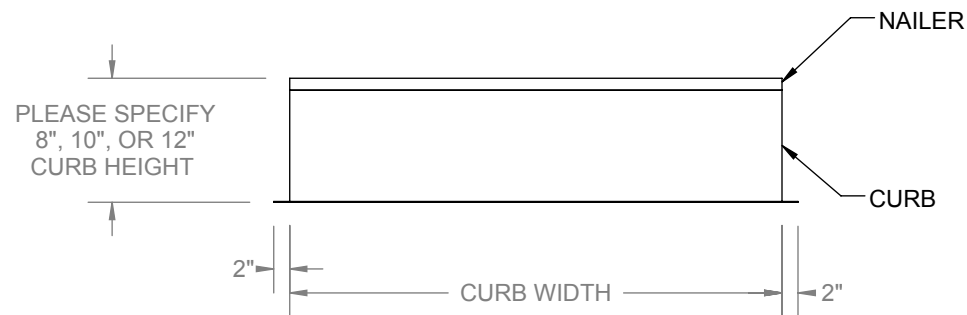
Desert Aire has a policy of continuous product and quality improvement. Specifications and dimensions are subject to change without notice. This drawing and information contained herein are the exclusive property of the Desert Aire Corporation. Any use detrimental to the interests of Desert Aire is prohibited.	All Dimensions in Inches All Angles 90° All outside corners 0.125" fillet Unless Otherwise Specified		Tolerance Unless Otherwise Specified X.X ±.125 X.XX ±.060 X.XXX ±.030 Angles ±1°	N120 W18485 FREISTADT RD GERMANTOWN, WI 53022 Tel: (262) 946-7400 Fax: (262) 946-7401	
	Third Angle Projection		Drawn: BCL Date Released: 5/9/2011		Description: NON-PACKAGED
	ALL DIMENSIONS ARE IN INCHES FRACTIONAL TOLERANCE ± 1/8"		Part weight	Sheet: 5/6 Scale: NTS	Page Title: TOP DISCHARGE GA Drawing Number: G805-001
			Rev. 3		

**NOTES:**  
 REFER TO SHEET 1 FOR GENERAL NOTES.  
 CURBS 120" AND LESS ARE SHIPPED AS COMPLETE CURBS. GREATER THAN 120" ARE SHIPPED KNOCKED DOWN.  
 NUMBER AND LOCATION OF CROSS SUPPORT(S) IS DEPENDANT UPON THE GAUGE OF MATERIAL USED TO CONSTRUCT THE CURB, DUCT SUPPORT CONFIGURATION, LENGTH OF CURB, AND WIDTH OF CURB.  
 INSTALLATION INSTRUCTIONS INCLUDED WITH CURB SHIPMENT INDICATE THE REQUIRED POSITION FOR FIELD ASSEMBLED CURBS.

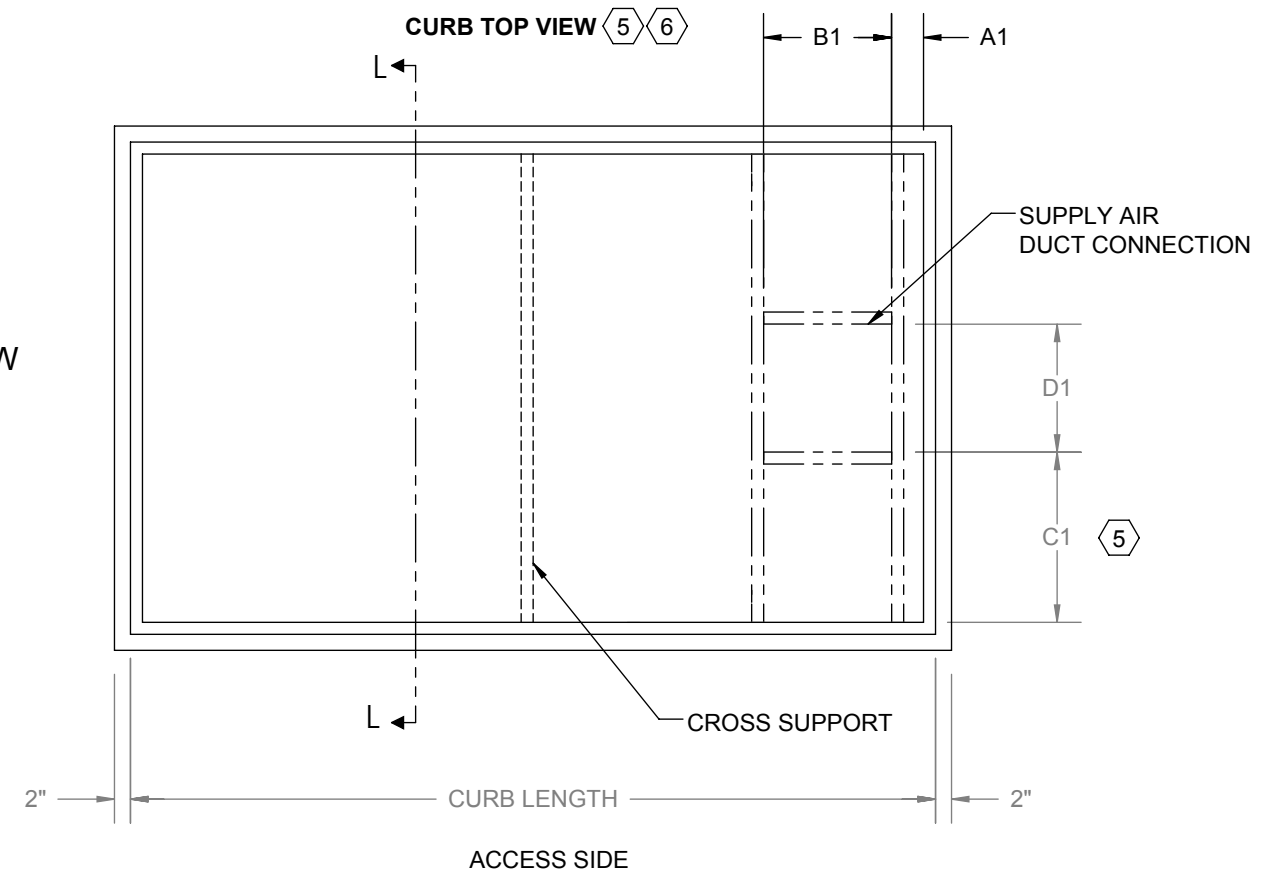
UNIT SIZE (TONS)	UNIT CABINET SIZES	END FLOW ROOFCURB DIMS			TOP FLOW ROOFCURB DIMS			DOWN FLOW ROOFCURB DIMS						
		CURB P/N	WIDTH (in.)	LENGTH (in.)	CURB P/N	WIDTH (in.)	LENGTH (in.)	CURB P/N	WIDTH (in.)	LENGTH (in.)	SUPPLY DISCHARGE (in.)			
											A1	B1	C1	D1
02	24	CB02NNAN03-XX	33 1/2	77 3/4	CB02NNBN03-XX	33 1/2	77 3/4	CB02NNCN03-XX	33 1/2	77 3/4	0	11 1/2	10 3/8	9 7/8
03		CB03NNAN03-XX	33 1/2	77 3/4	CB03NNBN03-XX	33 1/2	77 3/4	CB03NNCN03-XX	33 1/2	77 3/4	0	11 1/2	10 3/8	9 7/8
05		CB05NNAN03-XX	33 1/2	77 3/4	CB05NNBN03-XX	33 1/2	77 3/4	CB05NNCN03-XX	33 1/2	77 3/4	0	11 1/2	10 3/8	9 7/8
08	36	CB08NNAN05-XX	45 1/2	102 3/4	CB08NNBN05-XX	45 1/2	102 3/4	CB08NNCN05-XX	45 1/2	102 3/4	0	13 3/4	13 3/8	15 3/4
10		CB10NNAN05-XX	45 1/2	102 3/4	CB10NNBN05-XX	45 1/2	102 3/4	CB10NNCN05-XX	45 1/2	102 3/4	0	13 3/4	13 3/8	15 3/4
15		CB15NNAN05-XX	45 1/2	102 3/4	CB15NNBN05-XX	45 1/2	102 3/4	CB15NNCN05-XX	45 1/2	102 3/4	0	13 3/4	13 3/8	15 3/4
20	44	CB20NNAN05-XX	50 7/8	109 1/4	CB20NNBN05-XX	50 7/8	109 1/4	CB20NNCN05-XX	50 7/8	109 1/4	0	16	14 5/8	18 3/4
25	50	CB25NNAN05-XX	53 1/8	103 5/8	CB25NNBN05-XX	53 1/8	103 5/8	CB25NNCN05-XX	53 1/8	103 5/8	0	19	14	22 1/8
30		CB30NNAN05-XX	53 1/8	103 5/8	CB30NNBN05-XX	53 1/8	103 5/8	CB30NNCN05-XX	53 1/8	103 5/8	0	19	14	22 1/8
36		CB36NNAN05-XX	64 1/2	103 5/8	CB36NNBN05-XX	64 1/2	103 5/8	CB36NNCN05-XX	64 1/2	103 5/8	0	19	19 3/4	22 1/8
40	60	CB40NNAN05-XX	64 1/2	103 5/8	CB40NNBN05-XX	64 1/2	103 5/8	CB40NNCN05-XX	64 1/2	103 5/8	0	19	19 3/4	22 1/8
46		CB46NNAN05-XX	64 1/2	103 5/8	CB46NNBN05-XX	64 1/2	103 5/8	CB46NNCN05-XX	64 1/2	103 5/8	0	19	19 3/4	22 1/8
50		CB50NNAN05-XX	79 1/2	111 5/8	CB50NNBN05-XX	79 1/2	111 5/8	CB50NNCN05-XX	79 1/2	111 5/8	0	25 1/4	25 5/8	25 1/4
56	72	CB56NNAN05-XX	79 1/2	111 5/8	CB56NNBN05-XX	79 1/2	111 5/8	CB56NNCN05-XX	79 1/2	111 5/8	0	25 1/4	25 5/8	25 1/4
60		CB60NNAN05-XX	79 1/2	111 5/8	CB60NNBN05-XX	79 1/2	111 5/8	CB60NNCN05-XX	79 1/2	111 5/8	0	25 1/4	25 5/8	25 1/4



SECTION L-L



AIRFLOW →



----- DUCT CONNECTIONS FOR DOWN DISCHARGE

Desert Aire has a policy of continuous product and quality improvement. Specifications and dimensions are subject to change without notice. This drawing and information contained herein are the exclusive property of the Desert Aire Corporation. Any use detrimental to the interests of Desert Aire is prohibited.	All Dimensions in Inches All Angles 90° All outside corners 0.125" fillet Unless Otherwise Specified	Tolerance Unless Otherwise Specified X.X ±.125 X.XX ±.060 X.XXX ±.030 Angles ±1°	N120 W18485 FREISTADT RD GERMANTOWN, WI 53022 Tel: (262) 946-7400 Fax: (262) 946-7401
ALL DIMENSIONS ARE IN INCHES FRACTIONAL TOLERANCE ± 1/8"	Third Angle Projection	Sheet: 6/6 Page Title: CURB DETAILS GA	Drawing Number: G805-001
Part weight	Scale: NTS Rev: 3	Description: NON-PACKAGED Page Title: CURB DETAILS GA Drawing Number: G805-001	Drawing Number: G805-001