

Basic Outdoor Air Box w/no Energy Recovery

Every commercial pool requires the introduction of outdoor ventilation air during occupied times. The rate of introduction is dependent on the pool size, deck space, and occupancy. The introduction of this ventilation air helps to maintain air quality in the space. Refer to DESERT AIRE Technical Bulletin #5 for a detailed summary of the requirements in current standards.

DESERT AIRE offers an outdoor air box system option to integrate ventilation air into its dehumidification package. The dehumidifier blower will act as the ventilation fan and supply air blower. The exhaust air blower (by others) removes the air to establish a negative pressure in the space to prevent moisture migration to other parts of the building.

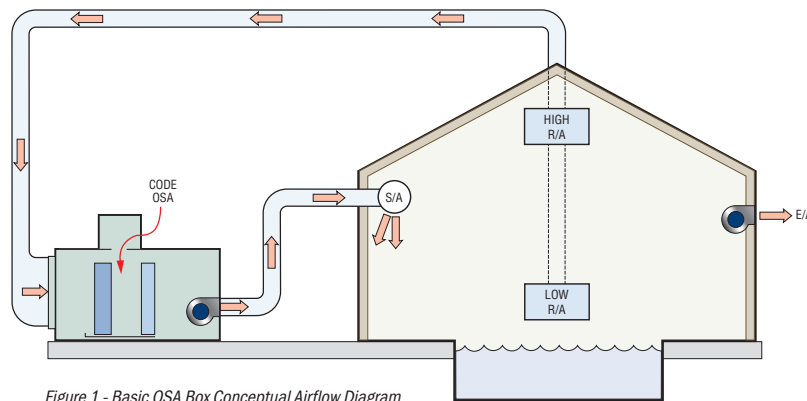


Figure 1 - Basic OSA Box Conceptual Airflow Diagram

There are two options for the introduction of basic ventilation air:

Duct Connection Only - This option is only used on indoor applications and requires the installing contractor to provide the isolation damper, actuator and filtration elsewhere in the outdoor air ductwork.

Outdoor Air Box - DESERT AIRE adds a modulating damper and filtration to the dehumidification system which is factory installed. For outdoor units the assembly includes a rain hood. The sequence is as follows:

- **O/A PER CODE (OCCUPIED)**
The system brings in the design code minimum ventilation air volume between the evaporator and reheat coils
- **CLOSED (NON OCCUPIED)**
The ventilation air is turned off to save energy.

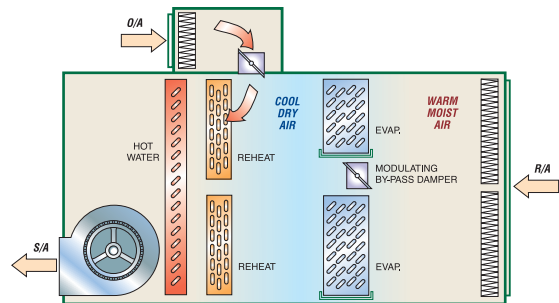


Figure 2 - Basic Outdoor Air System

OPTIMIZING SOLUTIONS THROUGH SUPERIOR DEHUMIDIFICATION TECHNOLOGY

N120 W18485 Friestadt Road, Germantown, WI 53022 sales@desert-aire.com

Ph: (262) 946-7400 - www.desert-aire.com



WARNING: Cancer and Reproductive Harm - www.P65Warnings.ca.gov