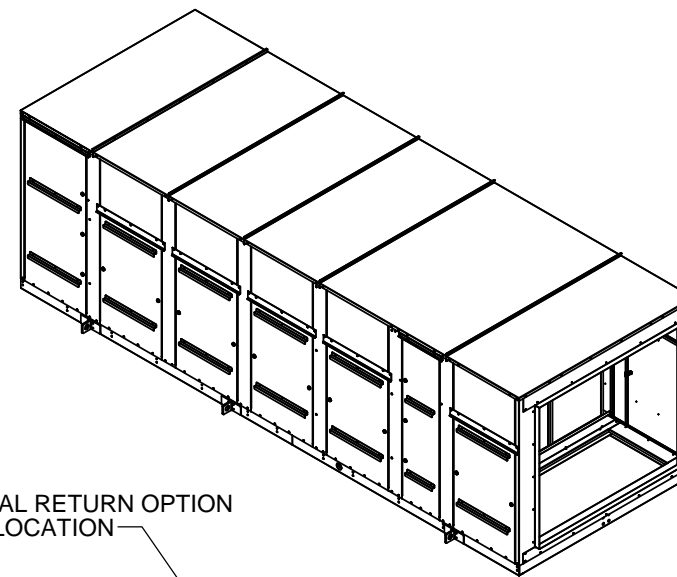
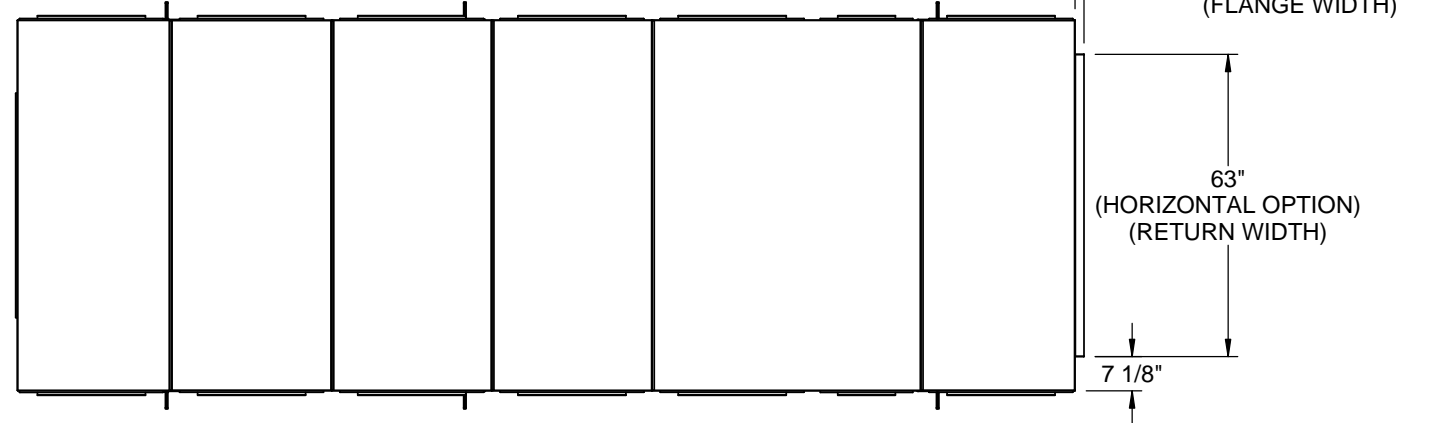


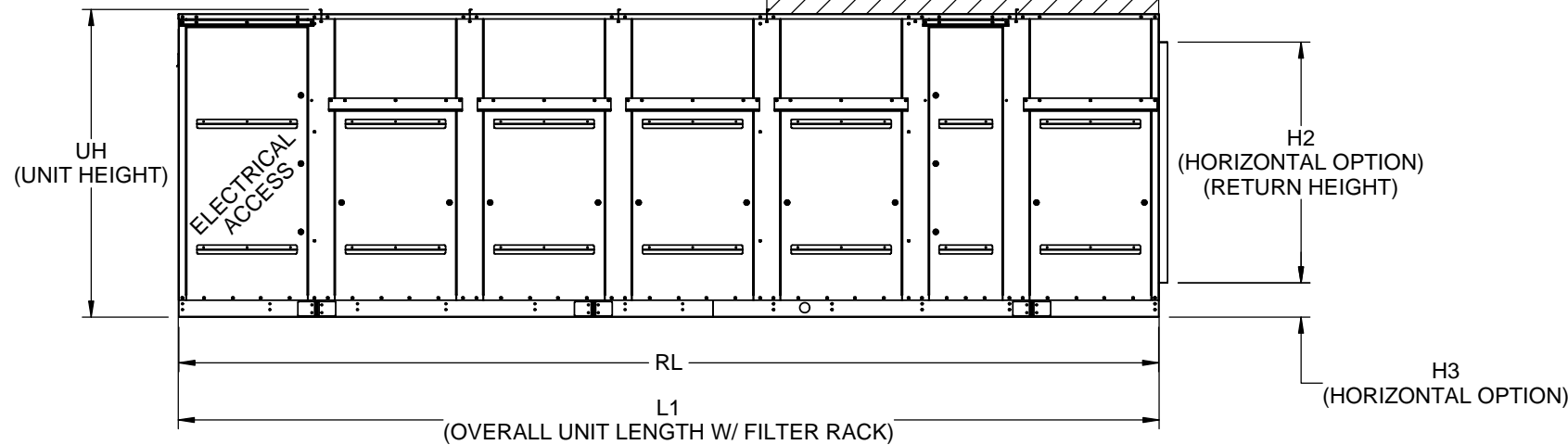
G900-010

NON-VENTILATION UNIT SHOWN

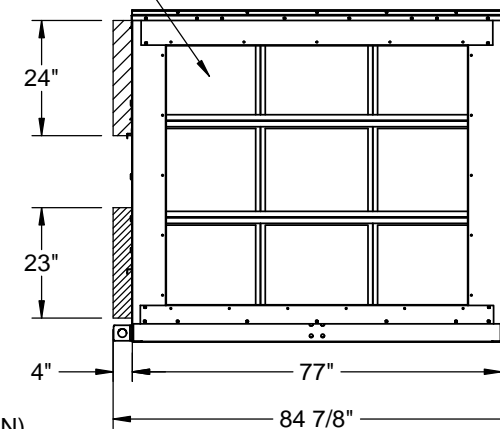


HORIZONTAL RETURN OPTION LOCATION

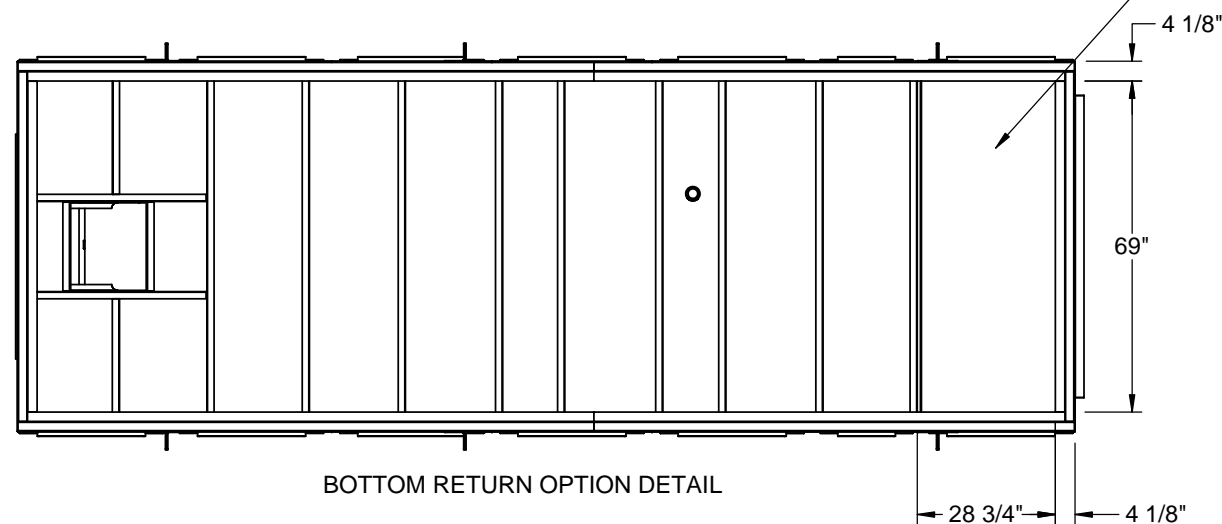
SEE ENERGY RECOVERY OPTIONS PAGE(S) FOR DETAILS



OPTIONAL OUTDOOR HOODS OMITTED FOR CLARITY
SEE OA BOX OPTION PAGES FOR DETAILED INFORMATION



BOTTOM RETURN OPTION LOCATION



BOTTOM RETURN OPTION DETAIL

UNIT TYPE	MODEL SIZE	RL	L1	UH	H2	H3
WITHOUT ENERGY RECOVERY	18	220 1/8	220 1/4	49 1/8	40 3/8	5 1/2
	20	220 1/8	220 1/4	49 1/8	40 3/8	5 1/2
	24	220 1/8	220 1/4	59 1/8	48 3/8	5 1/2
WITH ENERGY RECOVERY	18	220 1/8	220 1/4	49 1/8	40 3/8	6 1/2
	20	220 1/8	220 1/4	49 1/8	40 3/8	6 1/2
	24	220 1/8	220 1/4	59 1/8	48 3/8	6 1/2
	30	220 1/8	220 1/4	69 1/8	60 1/2	6 1/2

FILTER OPTION	MODEL SIZE	PART NUMBER	QTY	NOM WIDTH	NOM HEIGHT	NOM DEPTH		
DISPOSABLE	18	870-041	3	20	24	4		
		870-056	3	18				
	20	870-041	3	20	24	4		
		870-056	3	18				
	24	870-012	6	24	24	4		
		870-041	6	20				
DEACTIVATOR	18	872-006	3	20	24	2		
		870-043	3					
		872-009	3	18				
		870-057	3					
	20	872-006	3	20	24	2		
		870-043	3					
872-009		3	18					
870-057		3						
24	872-010	6	24	24	2			
	870-009	6						
	30	872-006	6			20	24	2
		870-043	6					
872-009		3	18					
870-057		3						

GENERAL NOTES FOR APPLICABLE SHEETS:

VIEWS ARE FOR PICTORAL PURPOSES.

REFER TO SUBMITTAL FOR CUSTOMER CONNECTION LOCATIONS.

DIMENSIONS ARE TO ACCESS SIDE OF UNIT.

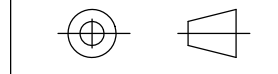
LH ACCESS SHOWN FOR DISPLAY PURPOSES. ACCESS DOOR CONFIGURATION MAY CHANGE DEPENDING ON UNIT SIZE OR TYPE
REFER TO SHEET 4,5,6 FOR INTAKE AND DISCHARGE CONNECTION DIMENSIONS.

Desert Aire has a policy of continuous product and quality improvement. Specifications and dimensions are subject to change without notice. This drawing and information contained herein are the exclusive property of the Desert Aire Corporation. Any use detrimental to the interests of Desert Aire is prohibited.

All Dimensions in Inches
All Angles 90°
All outside corners 0.125" fillet
Unless Otherwise Specified

Tolerance Unless Otherwise Specified
X.X ±.125
X.XX ±.060
X.XXX ±.030
Angles ±1°

DESERT AIRE
N120 W18485 FREISTADT RD
GERMANTOWN, WI 53022
Tel: (262) 946-7400
Fax: (262) 946-7401



Third Angle Projection

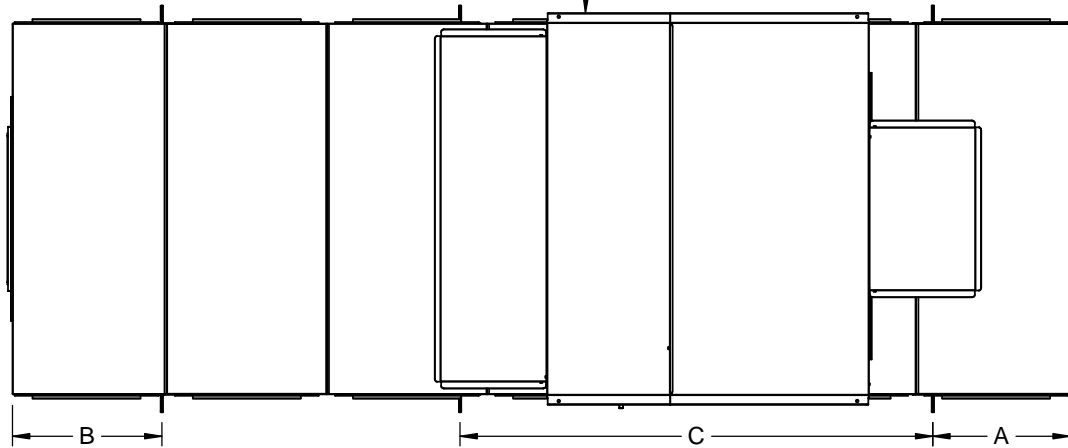
ALL DIMENSIONS ARE IN INCHES
FRACTIONAL TOLERANCE ± 1/8"

Part weight

Drawn ASV	Date Released 12/5/2014	Description SA 18-30 EXT RETURN w/AUX HEAT
Sheet 1/8	Page Title GENERAL INFORMATION	
Scale NTS	Rev. 0	Drawing Number G900-010

G900-010

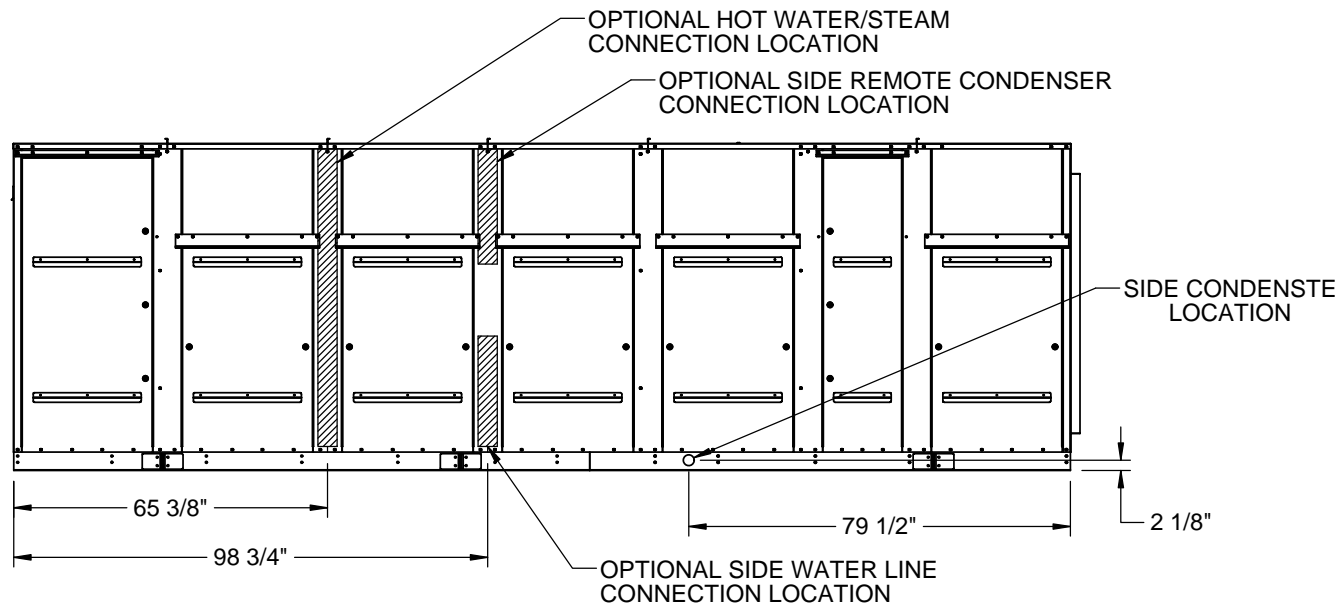
ENERGY RECOVERY OPTION SHOWN



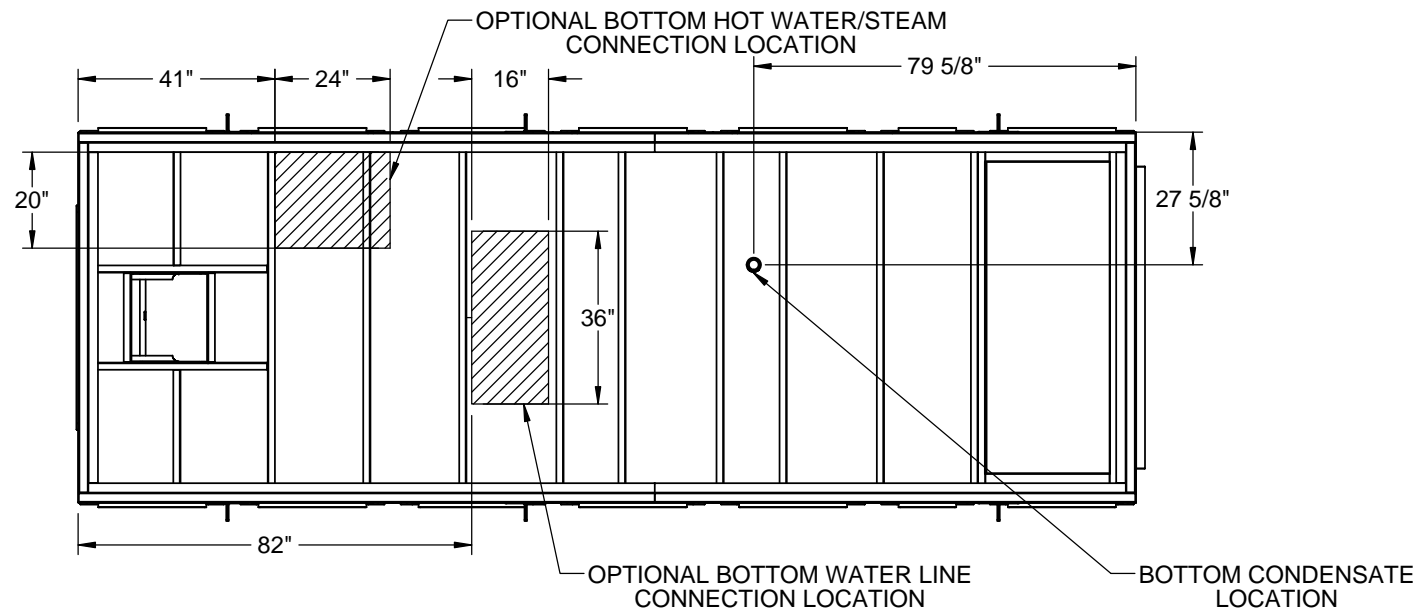
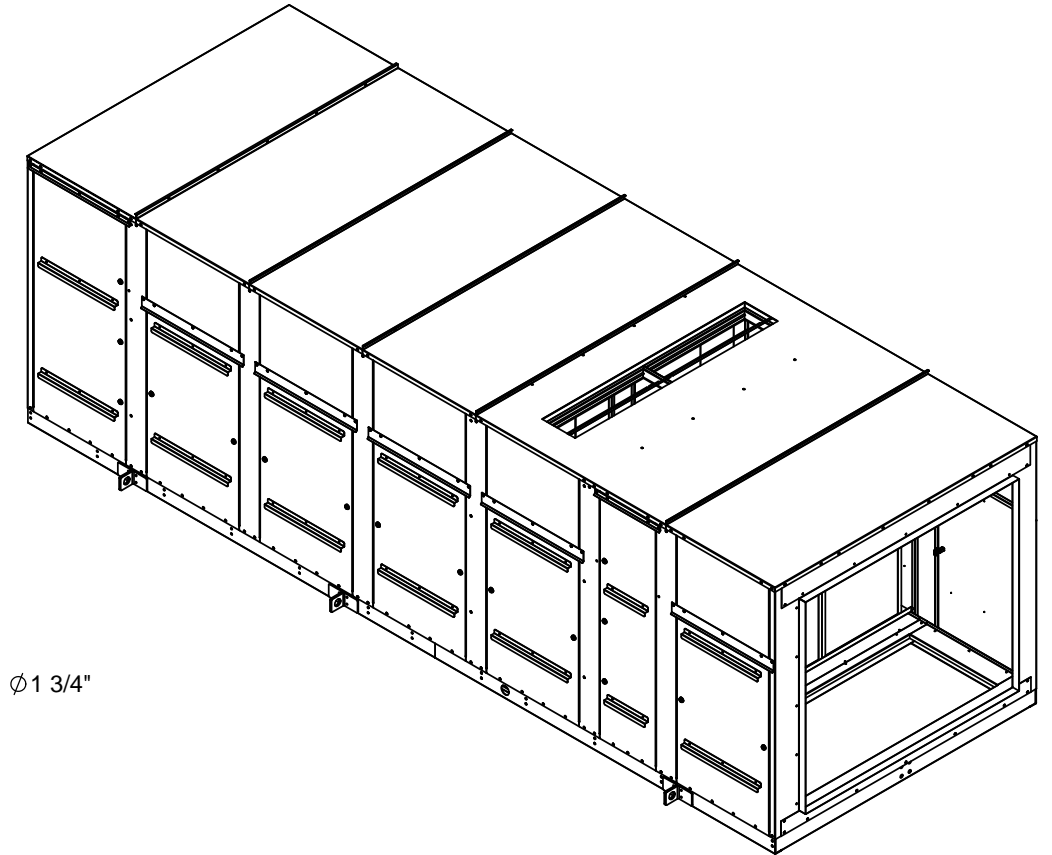
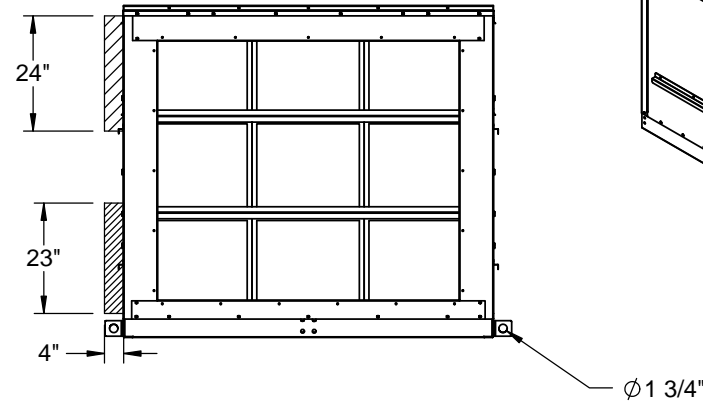
SEE TABLE FOR LIFTING LUG QUANTITY AND LOCATIONS

UNIT TYPE	MODEL SIZE	LUG QTY	LUG 1	LUG 2	LUG 3
			A	B	C
WITHOUT ENERGY RECOVERY	18	3	28 1/2	31	98 1/2
	20	3	28 1/2	31	98 1/2
	24	3	28 1/2	31	98 1/2
	30	3	28 1/2	31	98 1/2
WITH ENERGY RECOVERY	18	3	25 1/2	25 5/8	84 1/2
	20	3	25 1/2	25 5/8	84 1/2
	24	3	25 1/2	25 5/8	84 1/2
	30	3	25 1/2	25 5/8	84 1/2

UNIT TYPE	MODEL SIZE	POOL WATER		CIRCUIT A		CIRCUIT B	
		CIRCUIT A	CIRCUIT B	DISCH DIA	LIQUID DIA	DISCH DIA	LIQUID DIA
WITHOUT ENERGY RECOVERY	18	1 1/4	1 1/4	1 1/8	5/8	1 1/8	5/8
	20	1 1/4	1 1/4	1 1/8	3/4	1 1/8	3/4
	24	1 1/4	1 1/4	1 1/8	5/8	1 1/8	3/4
	30	1 1/2	1 1/2	1 1/8	3/4	1 1/8	3/4
WITH ENERGY RECOVERY	18	1 1/4	1 1/4	1 1/8	5/8	1 1/8	5/8
	20	1 1/4	1 1/4	1 1/8	3/4	1 1/8	3/4
	24	1 1/4	1 1/4	1 1/8	5/8	1 1/8	3/4
	30	1 1/2	1 1/2	1 1/8	3/4	1 1/8	3/4



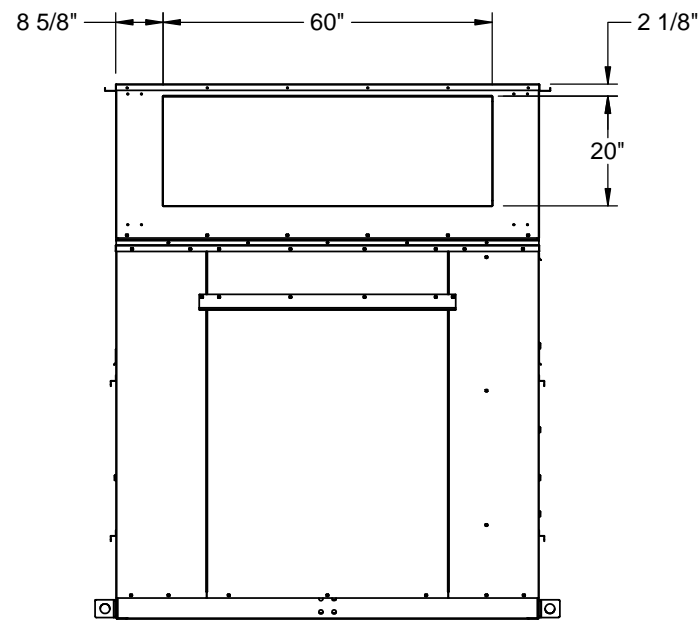
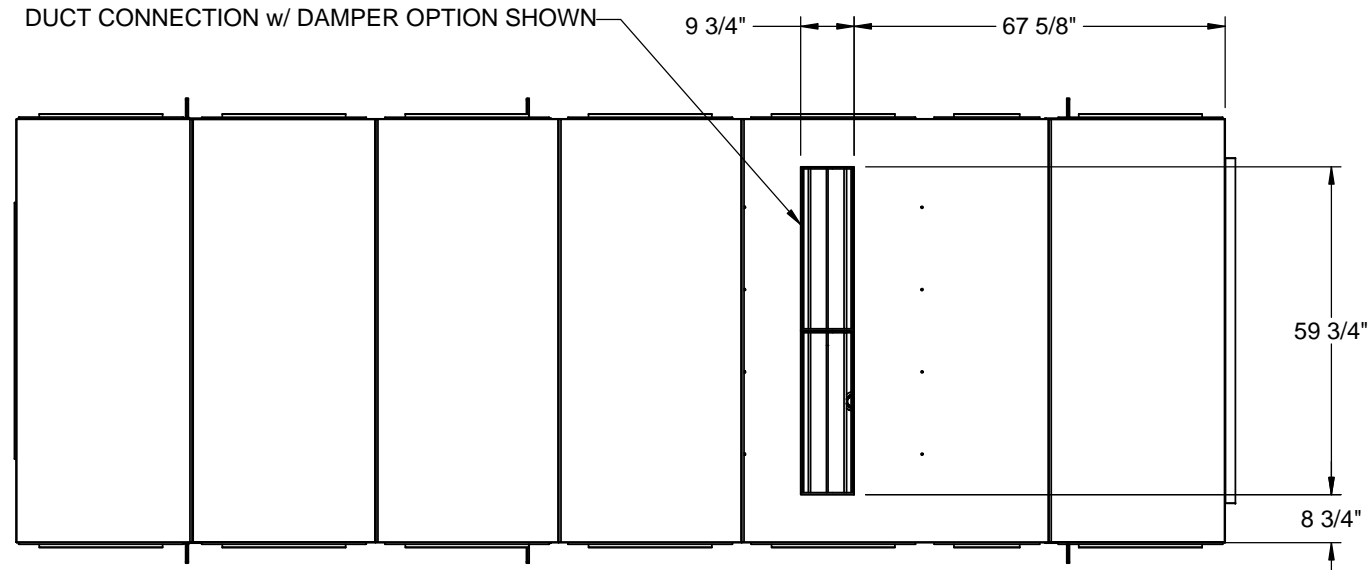
DUCT CONNECTION w/DAMPER OPTION SHOWN



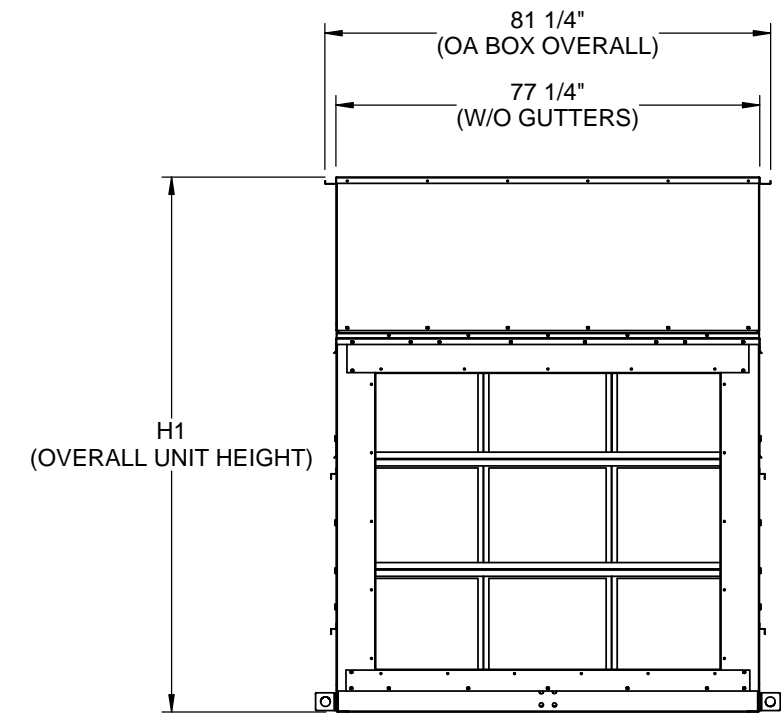
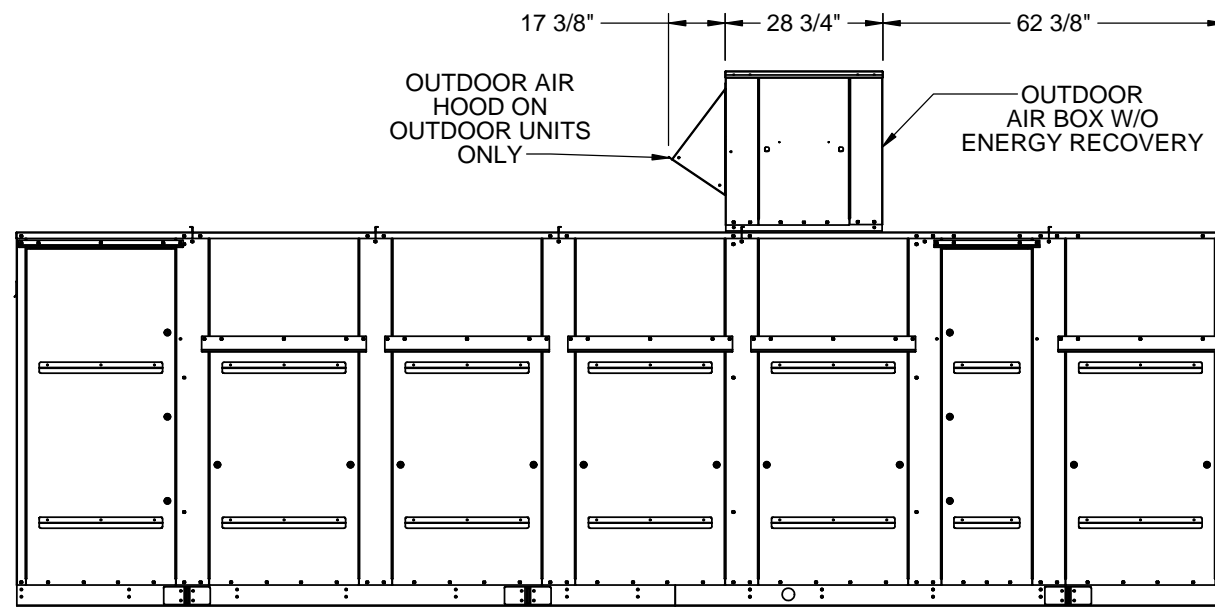
LEFT HAND CONNECTION OPTIONS SHOWN
RIGHT HAND CONNECTION OPTIONS LOCATED WITH SAME DIMENSIONS OPPOSITE SIDE WHEN SPECIFIED

Desert Aire has a policy of continuous product and quality improvement. Specifications and dimensions are subject to change without notice. This drawing and information contained herein are the exclusive property of the Desert Aire Corporation. Any use detrimental to the interests of Desert Aire is prohibited.	All Dimensions in Inches All Angles 90° All outside corners 0.125" fillet Unless Otherwise Specified	Tolerance Unless Otherwise Specified X.X ±.125 X.XX ±.060 X.XXX ±.030 Angles ±1°	N120 W18485 FREISTADT RD GERMANTOWN, WI 53022 Tel: (262) 946-7400 Fax: (262) 946-7401
ALL DIMENSIONS ARE IN INCHES FRACTIONAL TOLERANCE ± 1/8"	Third Angle Projection	Sheet 2/8	Page Title CUSTOMER CONNECTIONS
Part weight	Scale NTS	Rev. 0	Drawing Number G900-010

UNIT TYPE	MODEL SIZE	H1		
		NO VENTILATION	DUCT CONNECTION	OA BOX
WITHOUT ENERGY RECOVERY	18	49 1/8	49 1/8	77 1/2
	20	49 1/8	49 1/8	77 1/2
	24	59 1/8	59 1/8	87 1/2
	30	69 1/8	69 1/8	97 1/2



HOOD OMITTED FOR CLARITY



STANDARD OA FILTERS	MODEL SIZE	PART NUMBER	QTY	NOM WIDTH	NOM HEIGHT	NOM DEPTH
DISPOSABLE	18	870-051	3	25	25	2
	20	870-051	3	25	25	2
	24	870-051	3	25	25	2
	30	870-051	3	25	25	2

Desert Aire has a policy of continuous product and quality improvement. Specifications and dimensions are subject to change without notice. This drawing and information contained herein are the exclusive property of the Desert Aire Corporation. Any use detrimental to the interests of Desert Aire is prohibited.

All Dimensions in Inches
All Angles 90°
All outside corners 0.125" fillet
Unless Otherwise Specified

Tolerance Unless Otherwise Specified
X.X ±.125
X.XX ±.060
X.XXX ±.030
Angles ±1°

DESERT AIRE N120 W18485 FREISTADT RD
GERMANTOWN, WI 53022
Tel: (262) 946-7400
Fax: (262) 946-7401

Drawn: ASV Date Released: 12/5/2014 Description: SA 18-30 EXT RETURN w/AUX HEAT

Sheet: 3/8 Page Title: W/O ENERGY RECOVERY

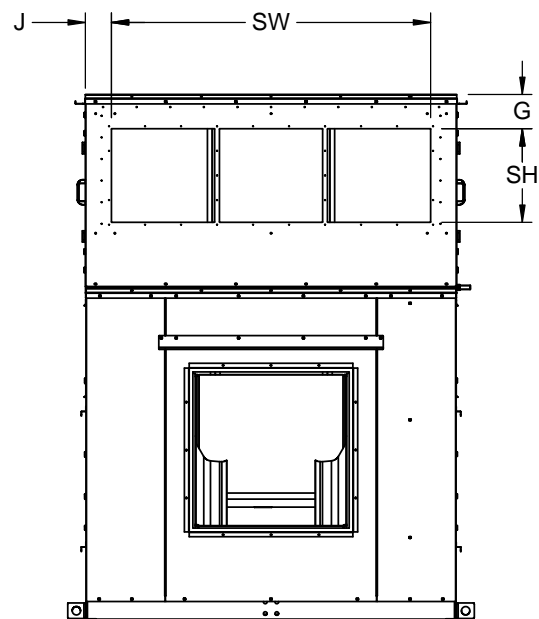
Scale: NTS Rev: 0 Drawing Number: G900-010

Third Angle Projection

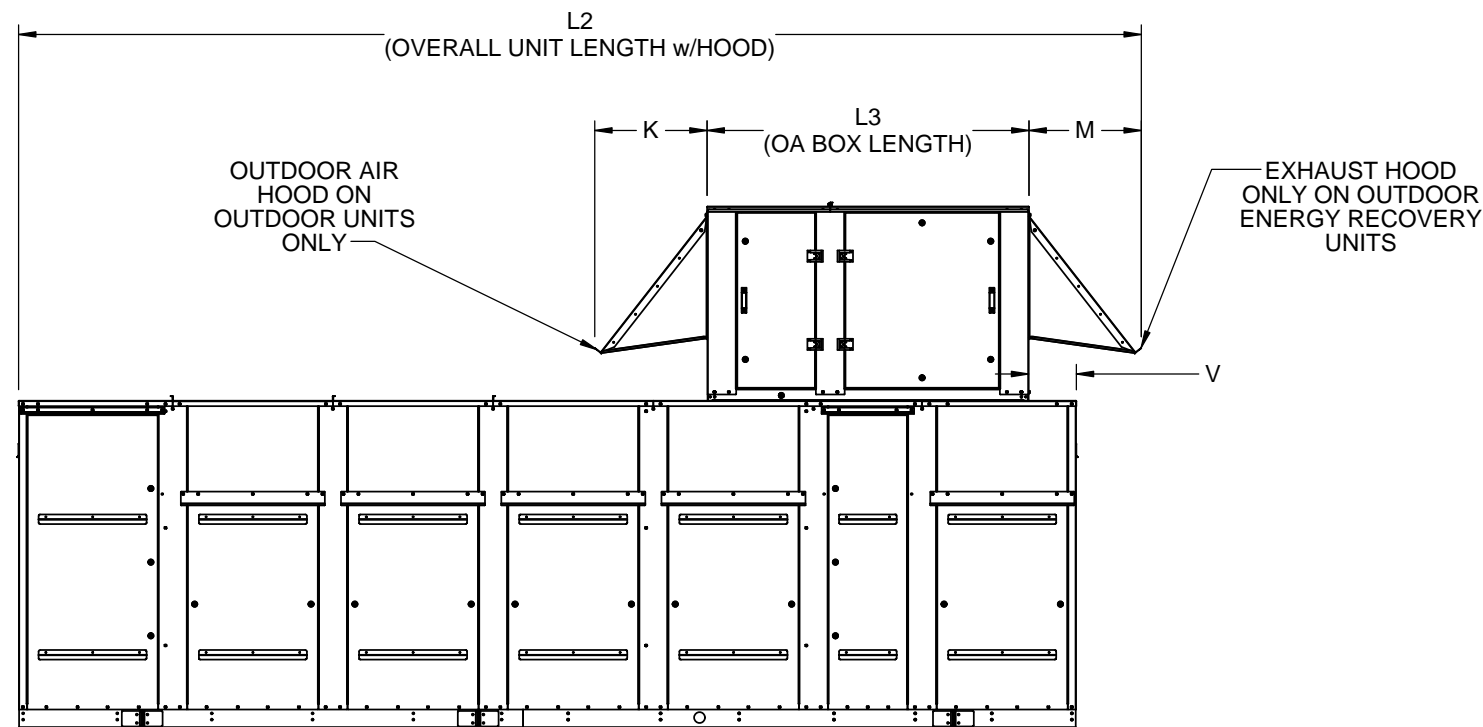
ALL DIMENSIONS ARE IN INCHES
FRACTIONAL TOLERANCE ± 1/8"

① HOODS NOT PROVIDED ON INDOOR UNITS.
NOTE: SOME OUTDOOR CONFIGURATIONS
WILL NOT OVERHANG CABINET.

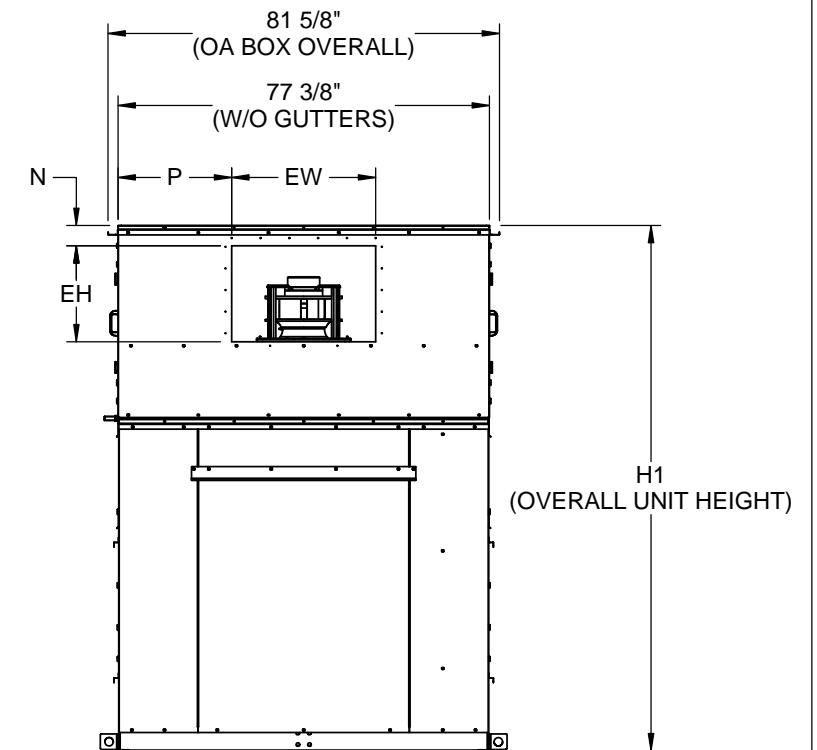
UNIT TYPE	MODEL SIZE	H1	L2 ①		V	OA BOX										
			INDOOR	OUTDOOR		HOOD(S)		L3	OA INTAKE OPENING				EXHAUST DISCHARGE OPENING			
						K	M		SH	SW	G	J	EH	EW	N	P
ENERGY RECOVERY STANDARD BOX	18	89 1/2	220 1/4	220 1/4	32 3/4	23 3/8	23 3/8	67 1/8	19 1/2	66 1/2	7 1/8	5 3/8	20	30	4 1/4	23 5/8
ENERGY RECOVERY EXPANDED BOX	18	89 1/2	220 1/4	244	0	13 1/2	23 3/8	109 1/4	26 3/4	74	4 1/2	15/8	20	40	4 1/4	18 5/8
ENERGY RECOVERY STANDARD BOX	20	89 1/2	220 1/4	220 1/4	32 3/4	23 3/8	23 3/8	67 1/8	19 1/2	66 1/2	7 1/8	5 3/8	20	30	4 1/4	23 5/8
ENERGY RECOVERY EXPANDED BOX	20	89 1/2	220 1/4	244	0	13 1/2	23 3/8	109 1/4	26 3/4	74	4 1/2	15/8	20	40	4 1/4	18 5/8
ENERGY RECOVERY STANDARD BOX	24	99 1/2	220 1/4	220 1/4	32 3/4	23 3/8	23 3/8	67 1/8	19 1/2	66 1/2	7 1/8	5 3/8	20	30	4 1/4	23 5/8
ENERGY RECOVERY EXPANDED BOX	24	99 1/2	220 1/4	244	0	13 1/2	23 3/8	109 1/4	26 3/4	74	4 1/2	15/8	20	40	4 1/4	18 5/8
ENERGY RECOVERY STANDARD BOX	30	109 1/2	220 1/4	220 1/4	32 3/4	23 3/8	23 3/8	67 1/8	19 1/2	66 1/2	7 1/8	5 3/8	20	30	4 1/4	23 5/8
ENERGY RECOVERY EXPANDED BOX	30	109 1/2	220 1/4	244	0	13 1/2	23 3/8	109 1/4	26 3/4	74	4 1/2	15/8	20	40	4 1/4	18 5/8



HOODS OMITTED FOR CLARITY



DRAWING IS REPRESENTATIVE
REFER TO TABLES FOR DIMENSIONS OF ACTUAL UNIT SELECTION



HOODS OMITTED FOR CLARITY

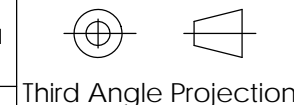
STANDARD OA FILTERS	MODEL SIZE	PART NUMBER	QTY	NOM WIDTH	NOM HEIGHT	NOM DEPTH
DISPOSABLE	18	870-051	3	25	25	2
	20	870-051	3	25	25	2
	24	870-051	3	25	25	2
	30	870-051	3	25	25	2

EXPANDED OA FILTERS	MODEL SIZE	PART NUMBER	QTY	NOM WIDTH	NOM HEIGHT	NOM DEPTH
DISPOSABLE	18	870-035	3	25	29	4
	20	870-035	3	25	29	4
	24	870-035	3	25	29	4
	30	870-035	3	25	29	4

Desert Aire has a policy of continuous product and quality improvement. Specifications and dimensions are subject to change without notice. This drawing and information contained herein are the exclusive property of the Desert Aire Corporation. Any use detrimental to the interests of Desert Aire is prohibited.

ALL DIMENSIONS ARE IN INCHES
FRACTIONAL TOLERANCE ± 1/8"

All Dimensions in Inches
All Angles 90°
All outside corners 0.125" fillet
Unless Otherwise Specified



Part weight

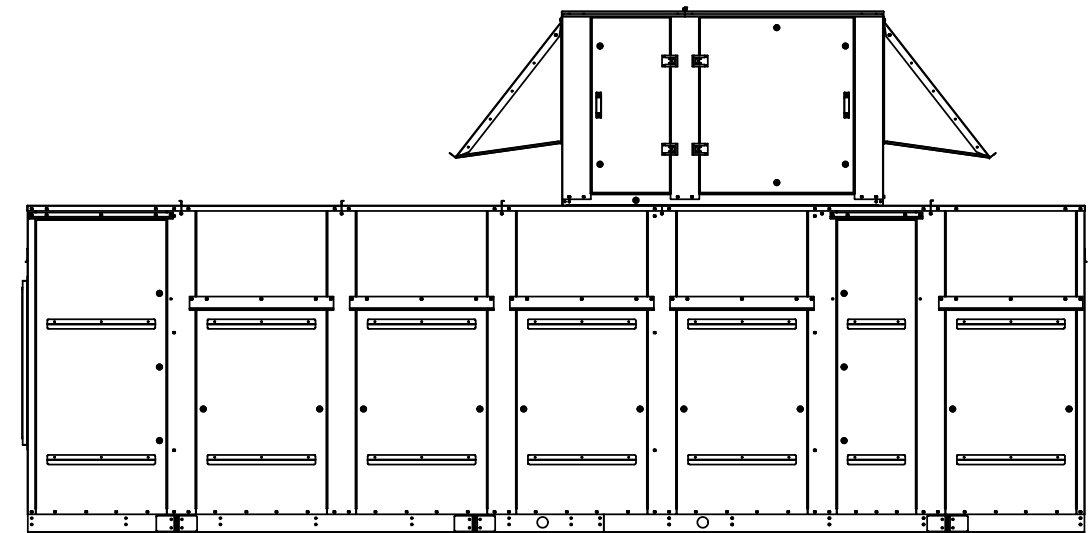
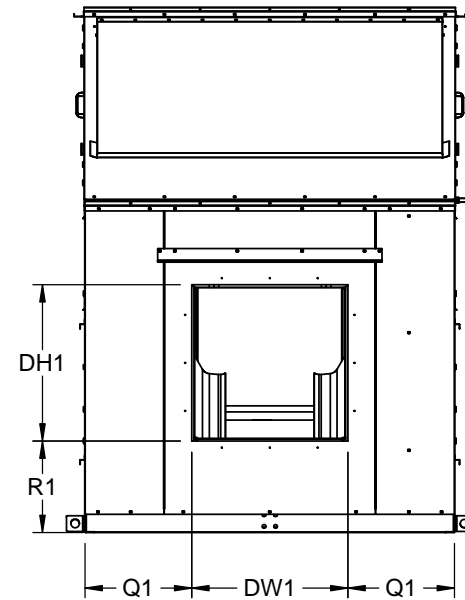
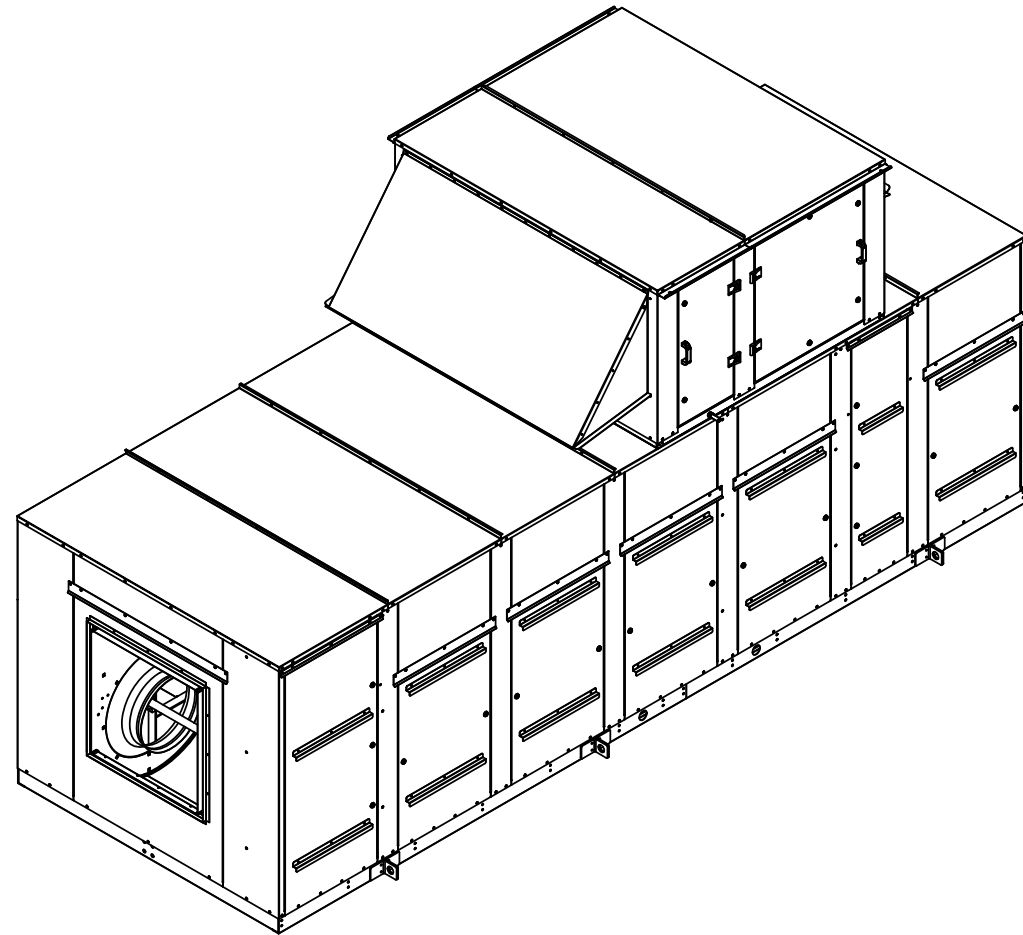
Tolerance Unless Otherwise Specified
X.X ±.125
X.XX ±.060
X.XXX ±.030
Angles ±1°


Drawn	ASV	Date Released	12/5/2014
Sheet	4/8		
Scale	NTS		
Rev.	0		

N120 W18485 FREISTADT RD
GERMANTOWN, WI 53022
Tel: (262) 946-7400
Fax: (262) 946-7401

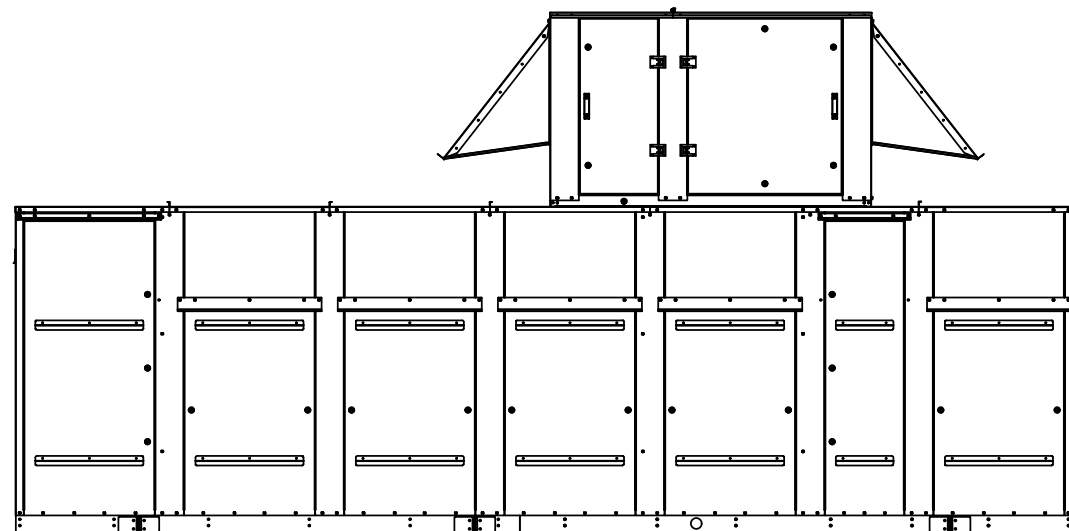
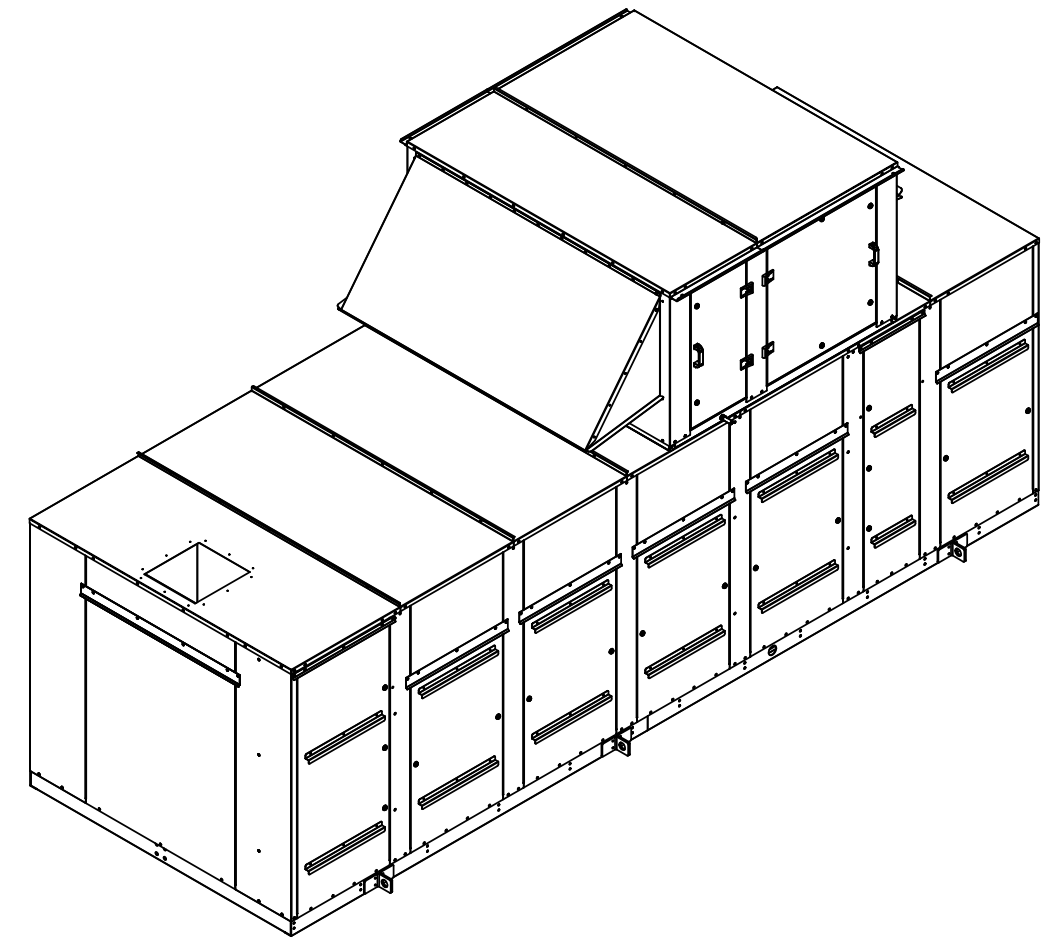
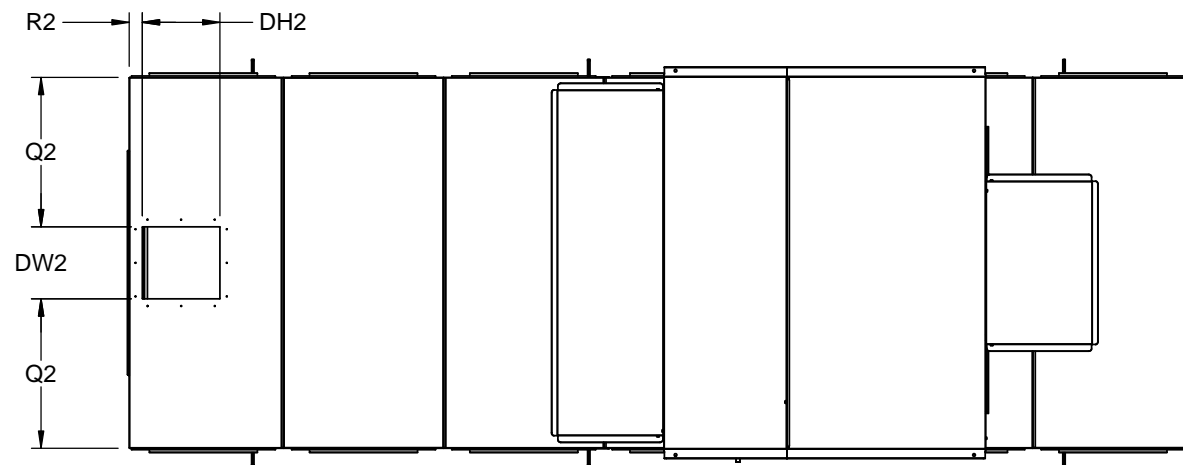
Description	SA 18-30 EXT RETURN w/AUX HEAT
Page Title	W/ ENERGY RECOVERY
Drawing Number	G900-010


18 TON					20 TON					24 TON					30 TON				
BLOWER	DH1	DW1	R1	Q1	BLOWER	DH1	DW1	R1	Q1	BLOWER	DH1	DW1	R1	Q1	BLOWER	DH1	DW1	R1	Q1
ATLI 15-11	16	14 7/8	14 1/4	31 1/4	ATLI 15-11	16	14 7/8	14 1/4	31 1/4	ATLI 18-13	18 7/8	17 1/2	16 3/8	30	ATLI 18-18	18 7/8	22 1/8	16 3/8	27 5/8
ATLI 18-13	18 7/8	17 1/2	16 3/8	30	ATLI 18-13	18 7/8	17 1/2	16 3/8	30	ATLI 18-18	18 7/8	22 1/8	16 3/8	27 5/8	ATLI 20-15	25 1/4	20 1/4	16 3/8	28 5/8
ATZAF 18-18	18 7/8	22 1/8	16 3/8	27 5/8	ATZAF 18-18	18 7/8	22 1/8	16 3/8	27 5/8	ATZAF 20-20	25 1/4	25 1/4	16 3/8	26 1/8	ATZAF 20-20	25 1/4	25 1/4	16 3/8	26 1/8
ATZAF 20-20	25 1/4	25 1/4	16 3/8	26 1/8	ATZAF 20-20	25 1/4	25 1/4	16 3/8	26 1/8	ATZAF 22-22	28 1/4	28 1/4	17 7/8	24 5/8	ATZAF 25-25	31 3/4	31 3/4	19 3/8	22 7/8
ATZAF 22-22	28 1/4	28 1/4	17 7/8	24 5/8	ATZAF 22-22	28 1/4	28 1/4	17 7/8	24 5/8	ATZAF 25-25	31 3/4	31 3/4	19 3/8	22 7/8					



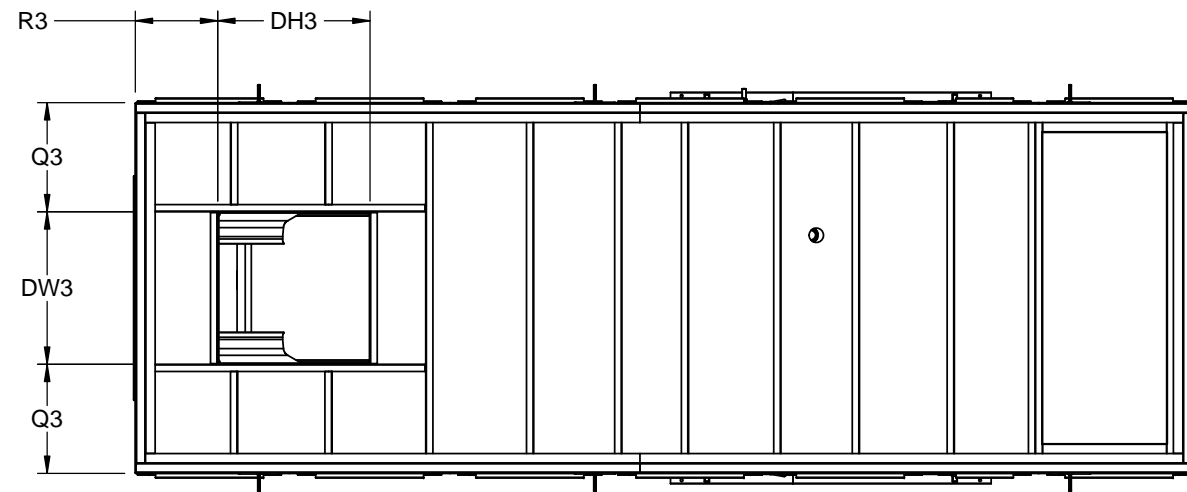
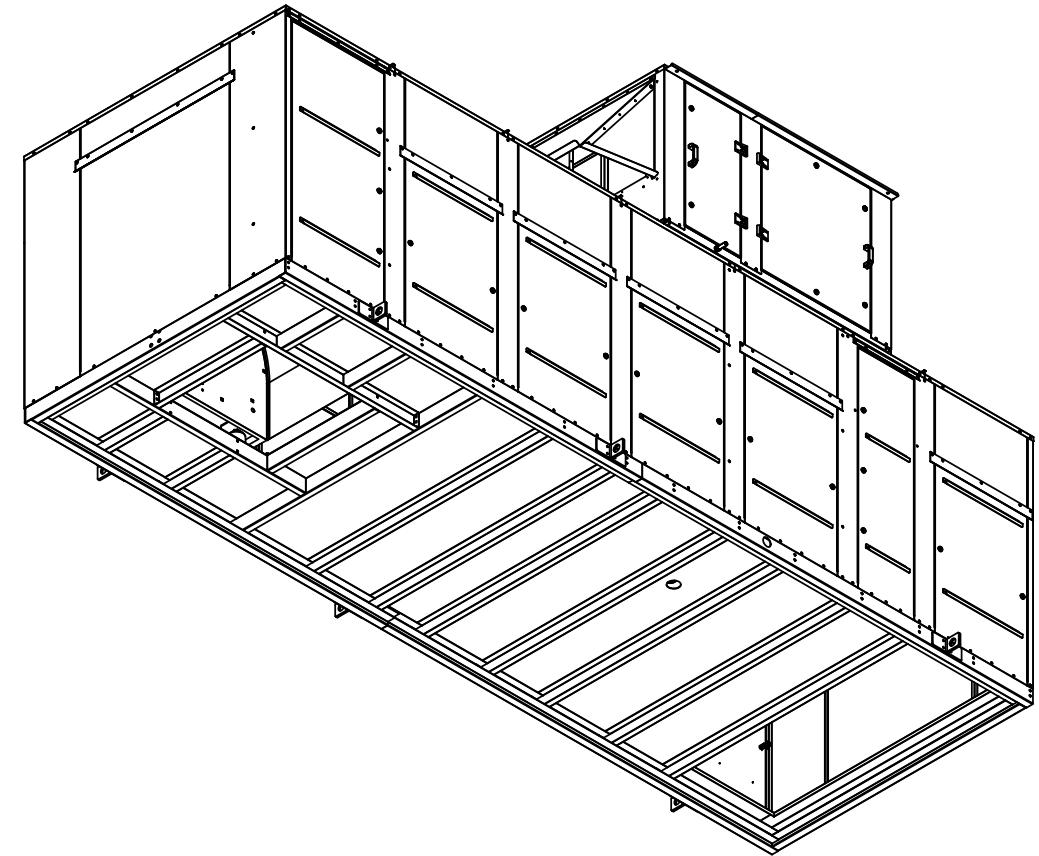
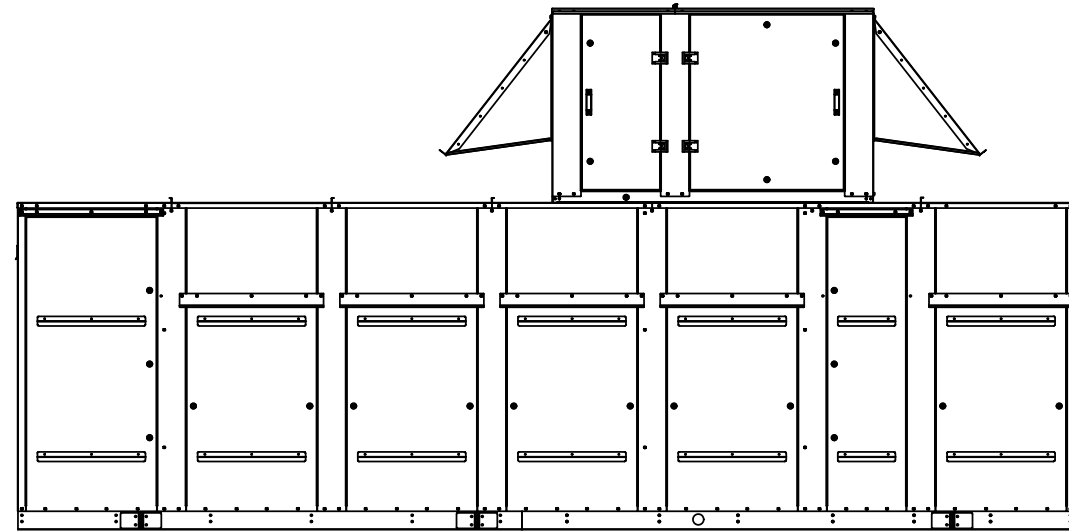
Desert Aire has a policy of continuous product and quality improvement. Specifications and dimensions are subject to change without notice. This drawing and information contained herein are the exclusive property of the Desert Aire Corporation. Any use detrimental to the interests of Desert Aire is prohibited.	All Dimensions in Inches All Angles 90° All outside corners 0.125" fillet Unless Otherwise Specified	Tolerance Unless Otherwise Specified X.X ±.125 X.XX ±.060 X.XXX ±.030 Angles ±1°	 N120 W18485 FREISTADT RD GERMANTOWN, WI 53022 Tel: (262) 946-7400 Fax: (262) 946-7401
ALL DIMENSIONS ARE IN INCHES FRACTIONAL TOLERANCE ± 1/8"	Third Angle Projection	Sheet: 5/8 Scale: NTS	Page Title: END SUPPLY Rev. 0 Drawing Number: G900-010

18 TON						20 TON						24 TON						30 TON					
BLOWER	DH2	DW2	R2		Q2	BLOWER	DH2	DW2	R2		Q2	BLOWER	DH2	DW2	R2		Q2	BLOWER	DH2	DW2	R2		Q2
			OVER	AWAY					OVER	AWAY					OVER	AWAY					OVER	AWAY	
ATLI 15-11	16	14 7/8	2 1/8	9 3/4	31 1/4	ATLI 15-11	16	14 7/8	2 1/8	9 3/4	31 1/4	ATLI 18-13	18 7/8	17 1/2	2 1/8	11 7/8	30	ATLI 18-18	18 7/8	22 1/8	2 1/8	11 7/8	27 5/8
ATLI 18-13	18 7/8	17 1/2	2 1/8	11 7/8	30	ATLI 18-13	18 7/8	17 1/2	2 1/8	11 7/8	30	ATLI 18-18	18 7/8	22 1/8	2 1/8	11 7/8	27 5/8	ATLI 20-15	25 1/4	20 1/4	1 3/8	11 7/8	28 5/8
ATZAF 18-18	18 7/8	22 1/8	2 1/8	11 7/8	27 5/8	ATZAF 18-18	18 7/8	22 1/8	2 1/8	11 7/8	27 5/8	ATZAF 20-20	25 1/4	25 1/4	1 3/8	11 7/8	26 1/8	ATZAF 20-20	25 1/4	25 1/4	1 3/8	11 7/8	26 1/8
ATZAF 20-20	25 1/4	25 1/4	1 3/8	11 7/8	26 1/8	ATZAF 20-20	25 1/4	25 1/4	1 3/8	11 7/8	26 1/8	ATZAF 22-22	28 1/4	28 1/4	1 3/8	13 3/8	24 5/8	ATZAF 25-25	31 3/4	31 3/4	1 3/8	14 7/8	22 7/8
ATZAF 22-22	28 1/4	28 1/4	1 3/8	13 3/8	24 5/8	ATZAF 22-22	28 1/4	28 1/4	1 3/8	13 3/8	24 5/8	ATZAF 25-25	31 3/4	31 3/4	1 3/8	14 7/8	22 7/8						



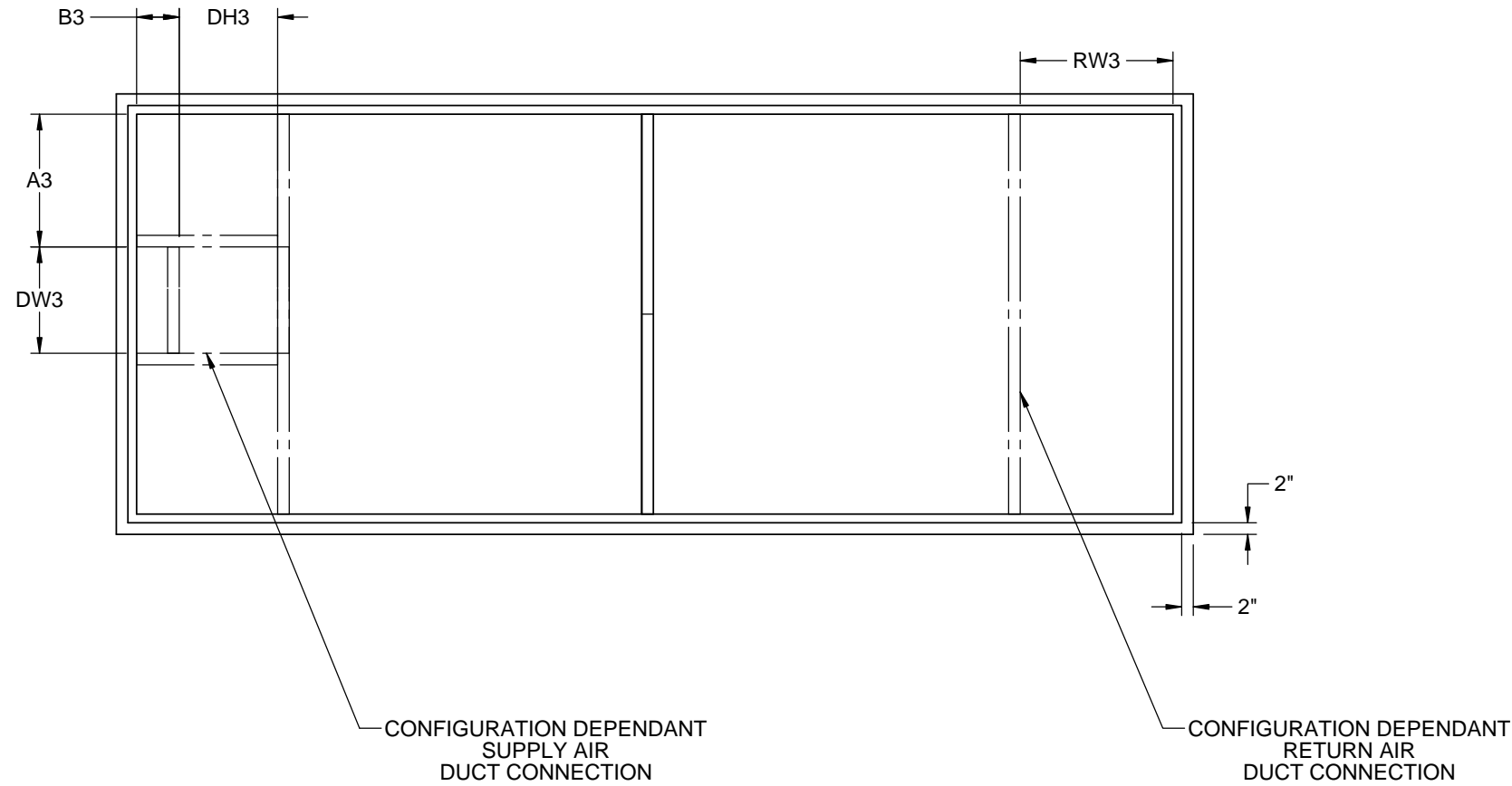
Desert Aire has a policy of continuous product and quality improvement. Specifications and dimensions are subject to change without notice. This drawing and information contained herein are the exclusive property of the Desert Aire Corporation. Any use detrimental to the interests of Desert Aire is prohibited.	All Dimensions in Inches All Angles 90° All outside corners 0.125" fillet Unless Otherwise Specified	Tolerance Unless Otherwise Specified X.X ±.125 X.XX ±.060 X.XXX ±.030 Angles ±1°	 N120 W18485 FREISTADT RD GERMANTOWN, WI 53022 Tel: (262) 946-7400 Fax: (262) 946-7401
	Third Angle Projection	Sheet: 6/8	Page Title: TOP SUPPLY
	ALL DIMENSIONS ARE IN INCHES FRACTIONAL TOLERANCE ± 1/8"	Scale: NTS	Rev. 0

18 TON					20 TON					24 TON					30 TON				
BLOWER	DH3	DW3	R3	Q3	BLOWER	DH3	DW3	R3	Q3	BLOWER	DH3	DW3	R3	Q3	BLOWER	DH3	DW3	R3	Q3
ATLI 15-11	16	14 7/8	9 3/4	31 1/4	ATLI 15-11	16	14 7/8	9 3/4	31 1/4	ATLI 18-13	18 7/8	17 1/2	11 7/8	30	ATLI 18-18	18 7/8	22 1/8	11 7/8	27 5/8
ATLI 18-13	18 7/8	17 1/2	11 7/8	30	ATLI 18-13	18 7/8	17 1/2	11 7/8	30	ATLI 18-18	18 7/8	22 1/8	11 7/8	27 5/8	ATLI 20-15	25 1/4	20 1/4	11 7/8	28 5/8
ATZAF 18-18	18 7/8	22 1/8	11 7/8	27 5/8	ATZAF 18-18	18 7/8	22 1/8	11 7/8	27 5/8	ATZAF 20-20	25 1/4	25 1/4	11 7/8	26 1/8	ATZAF 20-20	25 1/4	25 1/4	11 7/8	26 1/8
ATZAF 20-20	25 1/4	25 1/4	11 7/8	26 1/8	ATZAF 20-20	25 1/4	25 1/4	11 7/8	26 1/8	ATZAF 22-22	28 1/4	28 1/4	13 3/8	24 5/8	ATZAF 25-25	31 3/4	31 3/4	14 7/8	22 7/8
ATZAF 22-22	28 1/4	28 1/4	13 3/8	24 5/8	ATZAF 22-22	28 1/4	28 1/4	13 3/8	24 5/8	ATZAF 25-25	31 3/4	31 3/4	14 7/8	22 7/8					



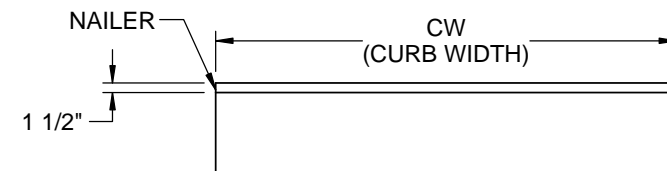
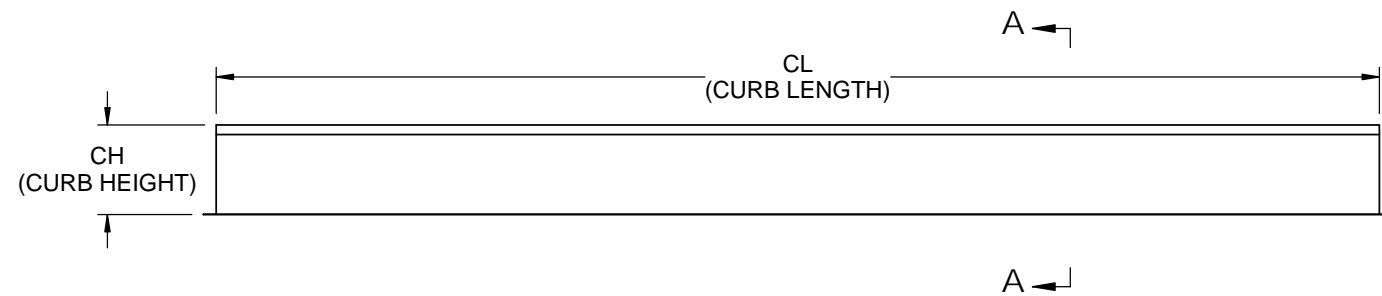
Desert Aire has a policy of continuous product and quality improvement. Specifications and dimensions are subject to change without notice. This drawing and information contained herein are the exclusive property of the Desert Aire Corporation. Any use detrimental to the interests of Desert Aire is prohibited.	All Dimensions in Inches All Angles 90° All outside corners 0.125" fillet Unless Otherwise Specified	Tolerance Unless Otherwise Specified X.X ±.125 X.XX ±.060 X.XXX ±.030 Angles ±1°	N120 W18485 FREISTADT RD GERMANTOWN, WI 53022 Tel: (262) 946-7400 Fax: (262) 946-7401
ALL DIMENSIONS ARE IN INCHES FRACTIONAL TOLERANCE ± 1/8"	Third Angle Projection	Sheet: 7/8 Scale: NTS	Page Title: DOWN SUPPLY Rev. 0 Drawing Number: G900-010

G900-010



CURB PN	CURB		DOWN SUPPLY AND / OR DOWN RETURN				
	LENGTH	WIDTH	RW3	DW3	A3	DH3	B3
CB-SNGA-XX	215 1/8	72	28 3/4	14 7/8	27 1/8	16	5 3/4
CB-SNGB-XX	215 1/8	72	28 3/4	17 1/2	25 3/4	18 7/8	7 7/8
CB-SNGC-XX	215 1/8	72	28 3/4	22 1/8	23 1/2	18 7/8	7 7/8
CB-SNGD-XX	215 1/8	72	28 3/4	20 1/4	24 3/8	25 1/4	7 7/8
CB-SNGG-XX	215 1/8	72	28 3/4	22 1/8	23 1/2	18 7/8	7 7/8
CB-SNGH-XX	215 1/8	72	28 3/4	25 1/4	21 7/8	25 1/4	7 7/8
CB-SNGJ-XX	215 1/8	72	28 3/4	28 1/4	20 3/8	28 1/4	9 3/8
CB-SNGK-XX	215 1/8	72	28 3/4	31 3/4	18 5/8	31 3/4	10 7/8
CB-SNGZ-XX	215 1/8	72	28 3/4	NO SUPPLY/RETURN DUCT CONNECTION			

CURB HEIGHT IN INCHES DESIGNATED BY XX IN THE CURB PART NUMBER



SECTION A-A

DUCT CONNECTIONS FOR DOWN SUPPLY AND/OR DOWN RETURN

NOTES:
REFER TO SHEET 1 FOR GENERAL NOTES

CURBS 115" IN LENGTH AND LESS ARE SHIPPED AS COMPLETE CURBS, GREATER THAN 115" ARE SHIPPED KNOCKED DOWN.

NUMBER AND LOCATION OF CROSS SUPPORT(S) IS DEPENDANT UPON THE GAUGE OF MATERIAL USED TO CONSTRUCT THE CURB, DUCT SUPPORT CONFIGURATION, LENGTH OF CURB, AND WIDTH OF CURB. INSTALLATION INSTRUCTIONS INCLUDED WITH CURB SHIPMENT INDICATE THE REQUIRED POSITION FOR FIELD ASSEMBLED CURBS.

Desert Aire has a policy of continuous product and quality improvement. Specifications and dimensions are subject to change without notice. This drawing and information contained herein are the exclusive property of the Desert Aire Corporation. Any use detrimental to the interests of Desert Aire is prohibited.

All Dimensions in Inches
All Angles 90°
All outside corners 0.125" fillet
Unless Otherwise Specified

Tolerance Unless Otherwise Specified
X.X ±.125
X.XX ±.060
X.XXX ±.030
Angles ±1°

DESERT AIRE
N120 W18485 FREISTADT RD
GERMANTOWN, WI 53022
Tel: (262) 946-7400
Fax: (262) 946-7401

Third Angle Projection

Part weight

Drawn	ASV	Date Released	12/5/2014	Description	SA 18-30 EXT RETURN w/AUX HEAT
Sheet	8/8			Page Title	CURB DETAILS
Scale	NTS		Rev.	0	Drawing Number
					G900-010

ALL DIMENSIONS ARE IN INCHES
TOLERANCE ± 1/8"