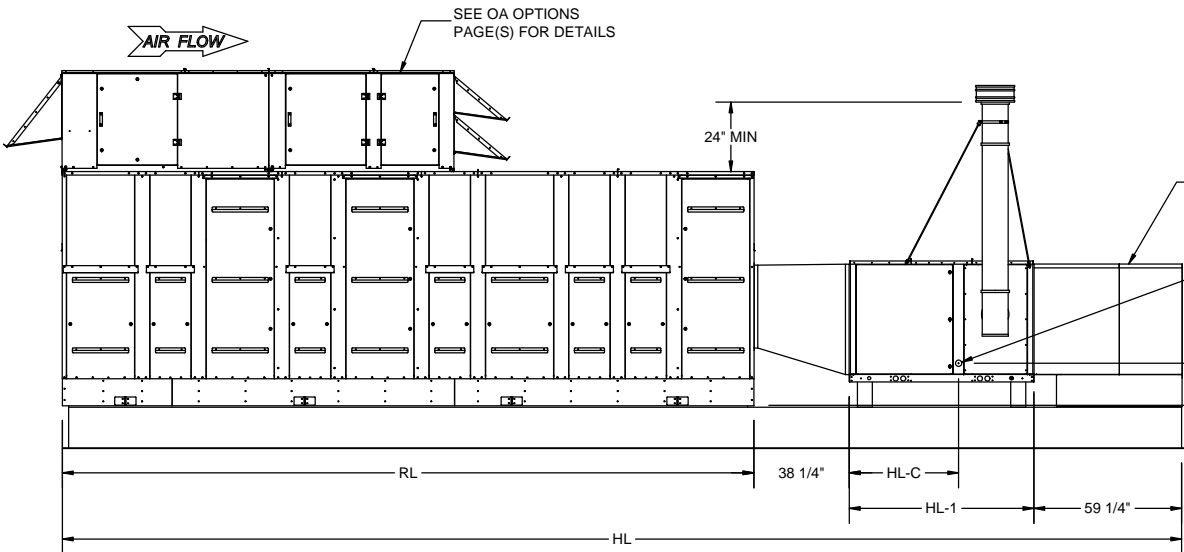
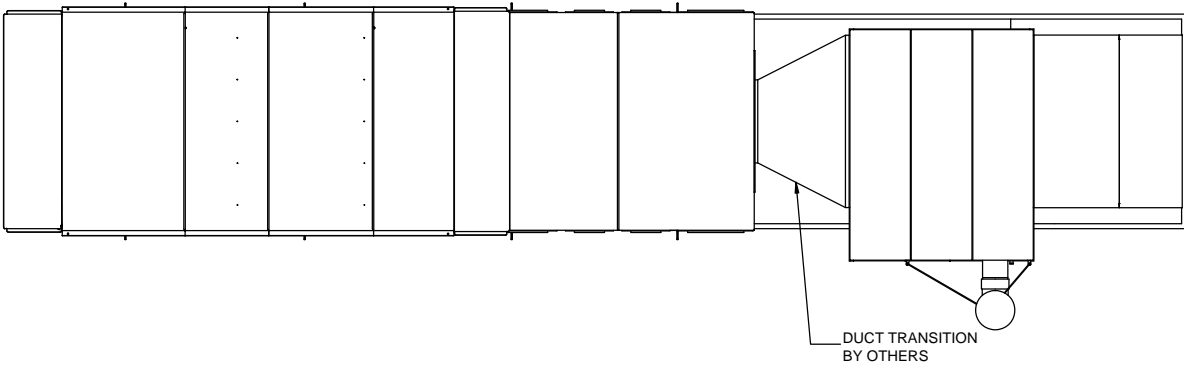
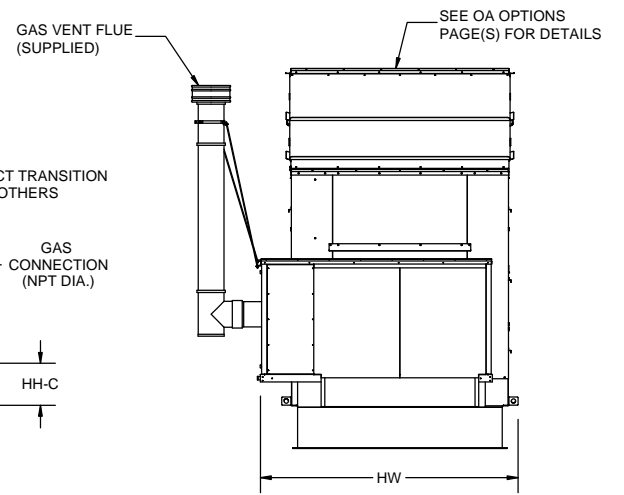



G900-009-G



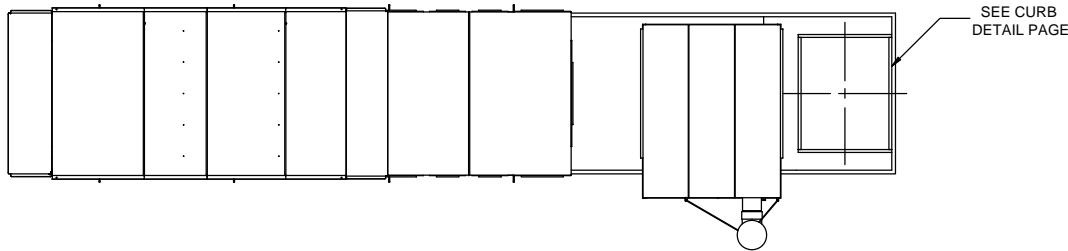
HEATER SIZE	RL	HL	HL-C	HL-1	HH-C	HW	NPT DIA.
HF550	277 1/4	434 3/4	38 1/4	60	17	99 1/4	1 1/4
HF750	277 1/4	448 3/4	43 3/8	74	17 1/8	103 1/4	1 1/4
HF1000	277 1/4	454 3/4	45	80	17 3/8	106 1/4	1 1/2
HF1250	277 1/4	460 3/4	45	86	17 3/8	106 1/4	1 1/2
HF1500	277 1/4	460 3/4	50 1/2	86	18 1/4	133 1/4	2
HF1750	277 1/4	460 3/4	44 1/2	86	18 1/4	133 1/4	2
HF2000	277 1/4	470 3/4	67 3/4	96	18 1/2	138 1/4	2



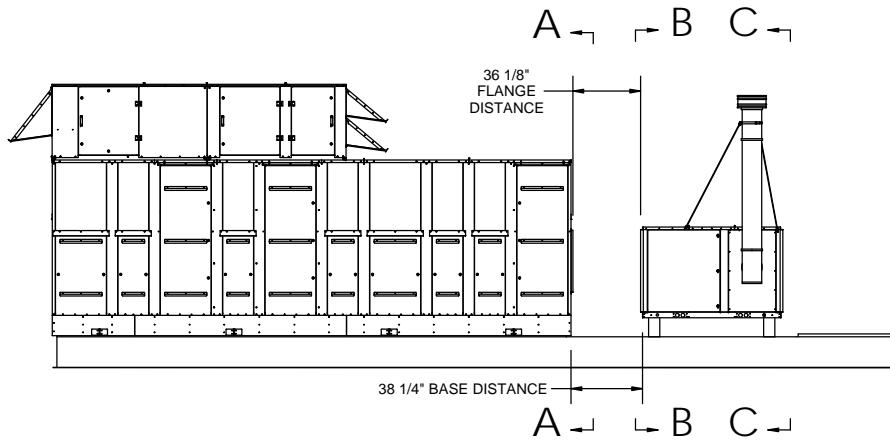
NOTE:
CONSULT MAIN GENERAL ARRANGEMENT DRAWING FOR UNIT SPECIFIC DIMENSIONS.
CONSULT FACTORY FOR INDOOR APPLICATIONS.

Desert Aire has a policy of continuous product and quality improvement. Specifications and dimensions are subject to change without notice. This drawing and information contained herein are the exclusive property of the Desert Aire Corporation. Any use detrimental to the interests of Desert Aire is prohibited.	All Dimensions in Inches All Angles 90° All outside corners 0.125" fillet Unless Otherwise Specified	Tolerance Unless Otherwise Specified X.X ±.125 X.XX ±.060 X.XXX ±.030 Angles ±1°	 N120 W18485 FREISTADT RD GERMANTOWN, WI 53022 Tel: (262) 946-7400 Fax: (262) 946-7401
	Third Angle Projection	Drawn: MHB Date Released: 4/8/2015	
ALL DIMENSIONS ARE IN INCHES TOLERANCE ± 1/8"	Sheet: 1/6	Scale: NTS	Page Title: OVERVIEW Rev: 0 Drawing Number: G900-009-G

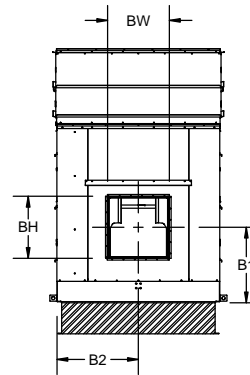
G900-009-G



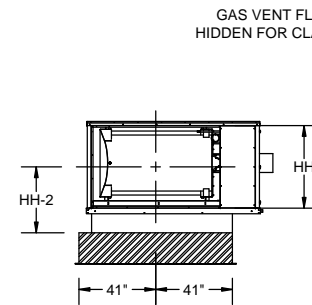
NOTE:
DUCT TRANSITION BY OTHERS
REMOVED FOR CLARITY.



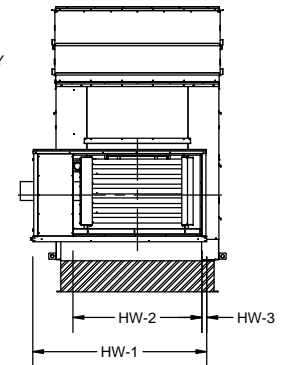
NOTE:
HEATER INLET AND OUTLET ARE THE SAME DIMENSIONS



SECTION A-A
END OF UNIT



SECTION B-B
INTAKE OF HEATER



SECTION C-C
OUTLET OF HEATER

BLOWER NUMBER		
60 TON		
BLOWER	BW	BH
ATLI 25-25	33 1/8	33 1/8
ATZAF 25-25	33 1/8	33 1/8
ATZAF 28-28	37	37
ATZAF 32-32	41 1/4	41 1/4

HEATER AND BLOWER CONNECTION SIZES

HEATER SIZE	B1 ATLI 25-25	B1 ATZAF 25-25	B1 ATZAF 28-28	B1 ATZAF 32-32	B2	HW-1	HW-2	HW-3	HH	HH-2
HF550	40	39 3/4	40 5/8	39 7/8	43 1/2	85	61	2 5/8	44	35 1/8
HF750	40	39 3/4	40 5/8	39 7/8	43 1/2	93	69	2 5/8	44 1/4	35 1/4
HF1000	40	39 7/8	40 1/2	40 1/4	43 1/2	99	75	2 5/8	50	38 1/8
HF1250	40	39 7/8	40 1/2	40 1/4	43 1/2	99	75	2 5/8	50	38 1/8
HF1500	40	39 7/8	40 1/2	40 1/4	43 1/2	142	107	2 5/8	50	38 1/8
HF1750	40	39 7/8	40 1/2	40 1/4	43 1/2	142	107	2 5/8	50	38 1/8
HF2000	40	39 7/8	40 1/2	40 1/4	43 1/2	152	117	2 5/8	50	38 1/8

Desert Aire has a policy of continuous product and quality improvement. Specifications and dimensions are subject to change without notice. This drawing and information contained herein are the exclusive property of the Desert Aire Corporation. Any use detrimental to the interests of Desert Aire is prohibited.

All Dimensions in Inches
All Angles 90°
All outside corners 0.125" fillet
Unless Otherwise Specified

Tolerance Unless Otherwise Specified
X.X ±.125
X.XX ±.060
X.XXX ±.030
Angles ±1°

DESERT AIRE
N120 W18485 FREISTADT RD
GERMANTOWN, WI 53022
Tel: (262) 946-7400
Fax: (262) 946-7401

Third Angle Projection

Drawn MHB Date Released 4/8/2015

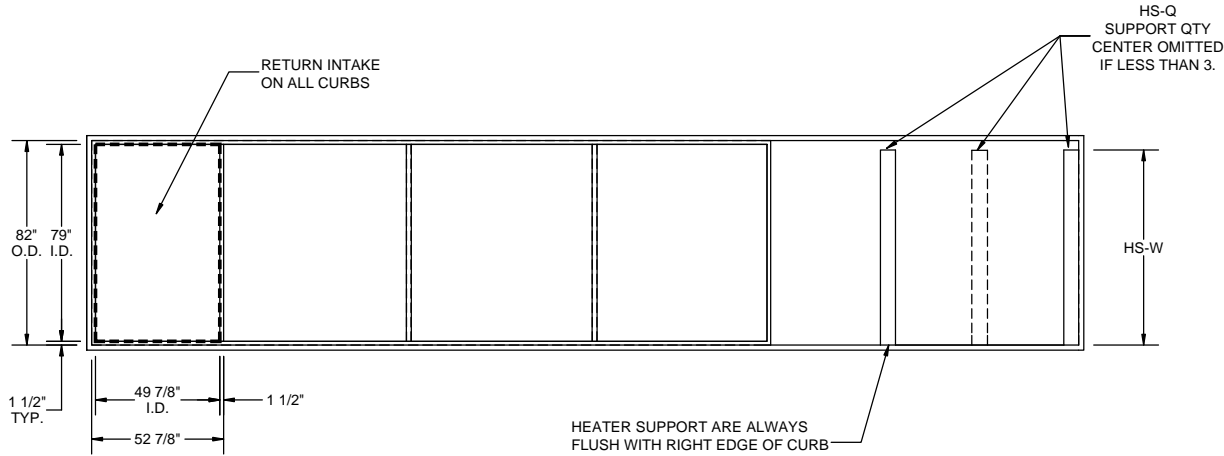
Description GA SA 60T GAS HTR ADDENDUM

Part weight

Scale 2/6

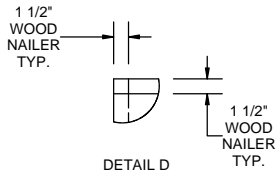
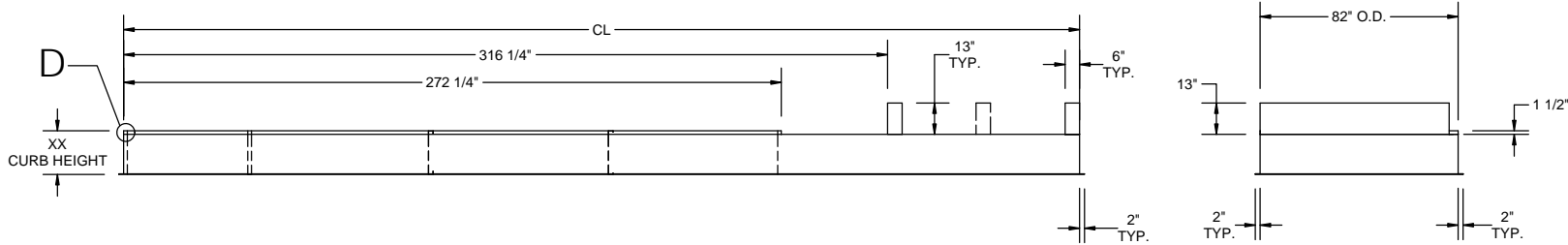
Page Title BLOWER & HEATER CONNECTIONS
Rev. 0
Drawing Number G900-009-G

G900-009-G



HEATER CONNECTION SIZES					
CURB PN	HEATER SIZE	HS-W	HS-Q	HS-L	CL
CB-LNBX-XX-0550	HF550	71 1/4	2	53 1/2	369 3/4
CB-LNBX-XX-0750	HF750	75 1/4	2	67 1/2	383 3/4
CB-LNBX-XX-1000	HF1000	78 1/4	2	73 1/2	389 3/4
CB-LNBX-XX-1250	HF1250	78 1/4	2	79 1/2	395 3/4
CB-LNBX-XX-1500	HF1500	82	3	79 1/2	395 3/4
CB-LNBX-XX-1750	HF1750	82	3	79 1/2	395 3/4
CB-LNBX-XX-2000	HF2000	82	3	89 1/2	405 3/4

CURB HEIGHT IN INCHES DESIGNATED BY XX IN THE CURB PART NUMBER



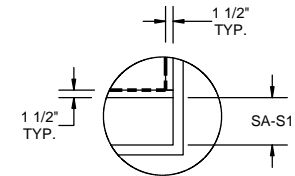
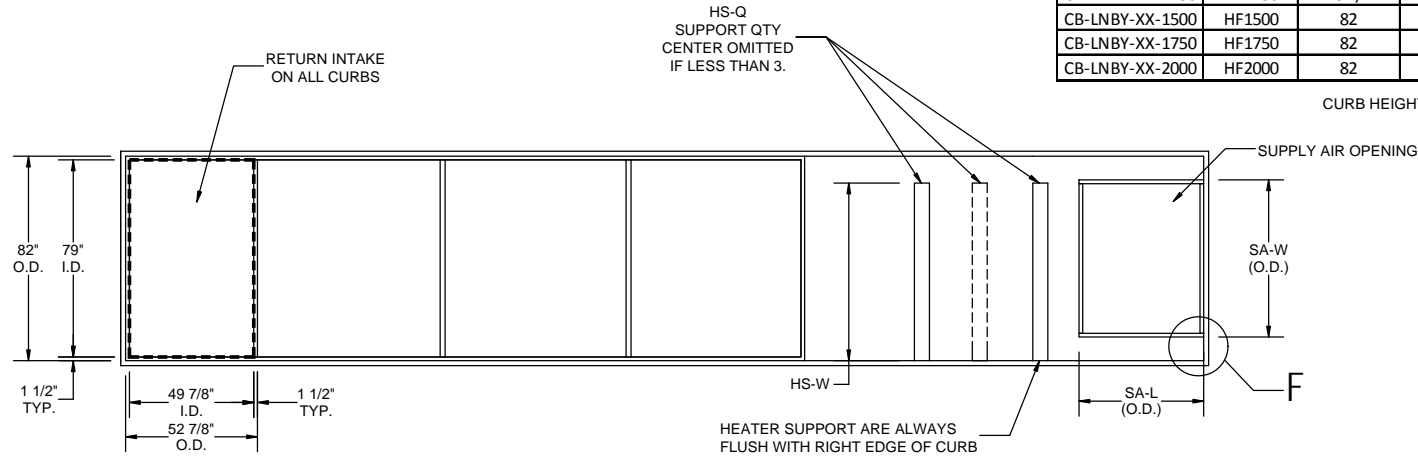
- NOTES:
1. GALVANIZED STEEL CONSTRUCTION.
 2. FULLY WELDED WATERTIGHT ONE PIECE CURB.
 3. PRIME PAINTED AFTER FABRICATION.
 4. THE CURB HAS 1-1/2" THICK 3LB/FT³ FIBERGLASS PERIMETER INSULATION.
 5. INTERNAL ANGLE REINFORCEMENT.
 6. CURB TO BE CURBS PLUS INC. CPC-3 STYLE.

Desert Aire has a policy of continuous product and quality improvement. Specifications and dimensions are subject to change without notice. This drawing and information contained herein are the exclusive property of the Desert Aire Corporation. Any use detrimental to the interests of Desert Aire is prohibited.	All Dimensions in Inches All Angles 90° All outside corners 0.125" fillet Unless Otherwise Specified	Tolerance Unless Otherwise Specified X.X ±.125 X.XX ±.060 X.XXX ±.030 Angles ±1°	 N120 W18485 FREISTADT RD GERMANTOWN, WI 53022 Tel: (262) 946-7400 Fax: (262) 946-7401
ALL DIMENSIONS ARE IN INCHES TOLERANCE ± 1/8"	 Third Angle Projection	Sheet: 3/6	Page Title: END DISCHARGE
		Scale: NTS	Rev.: 0 Drawing Number: G900-009-G

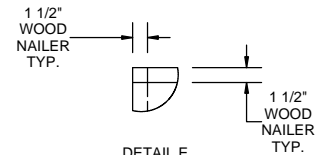
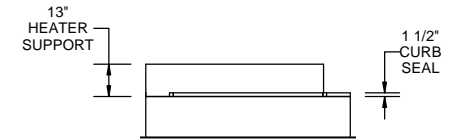
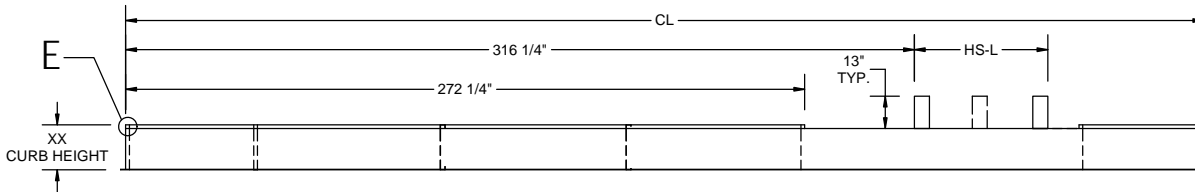
G900-009-G

HEATER CONNECTION SIZES								
CURB PN	HEATER SIZE	HS-W	HS-Q	HS-L	CL	SA-W (O.D.)	SA-L (O.D.)	SA-S1
CB-LNBY-XX-0550	HF550	71 1/4	2	53 1/2	432 1/4	63	50	9 1/2
CB-LNBY-XX-0750	HF750	75 1/4	2	67 1/2	446 1/4	63	50	9 1/2
CB-LNBY-XX-1000	HF1000	78 1/4	2	73 1/2	452 1/4	63	50	9 1/2
CB-LNBY-XX-1250	HF1250	78 1/4	2	79 1/2	458 1/4	63	50	9 1/2
CB-LNBY-XX-1500	HF1500	82	3	79 1/2	458 1/4	82	50	NA
CB-LNBY-XX-1750	HF1750	82	3	79 1/2	458 1/4	82	50	NA
CB-LNBY-XX-2000	HF2000	82	3	89 1/2	468 1/4	82	50	NA

CURB HEIGHT IN INCHES DESIGNATED BY XX IN THE CURB PART NUMBER



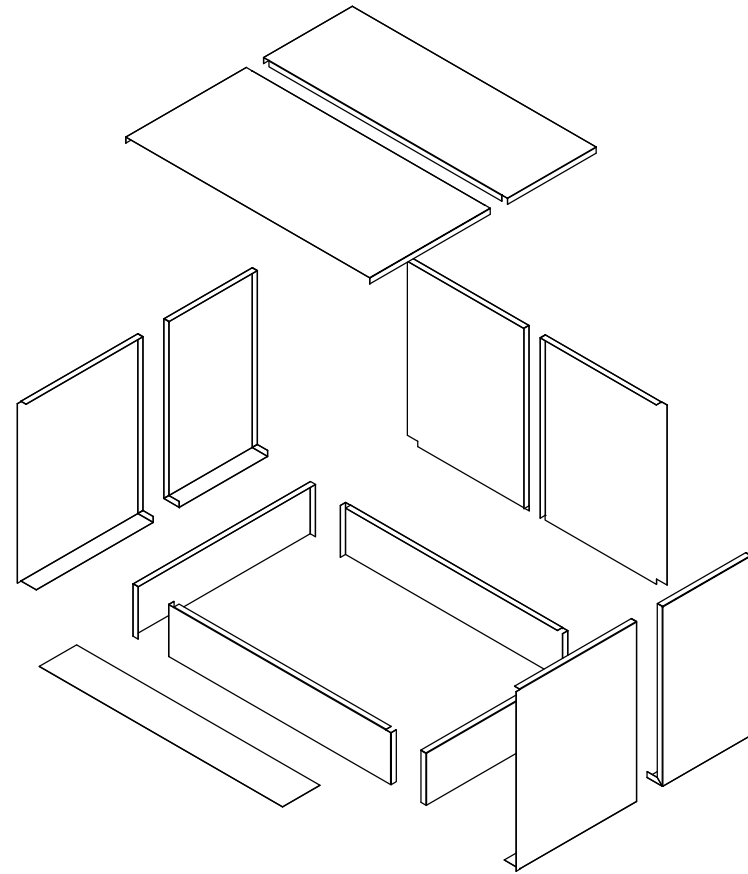
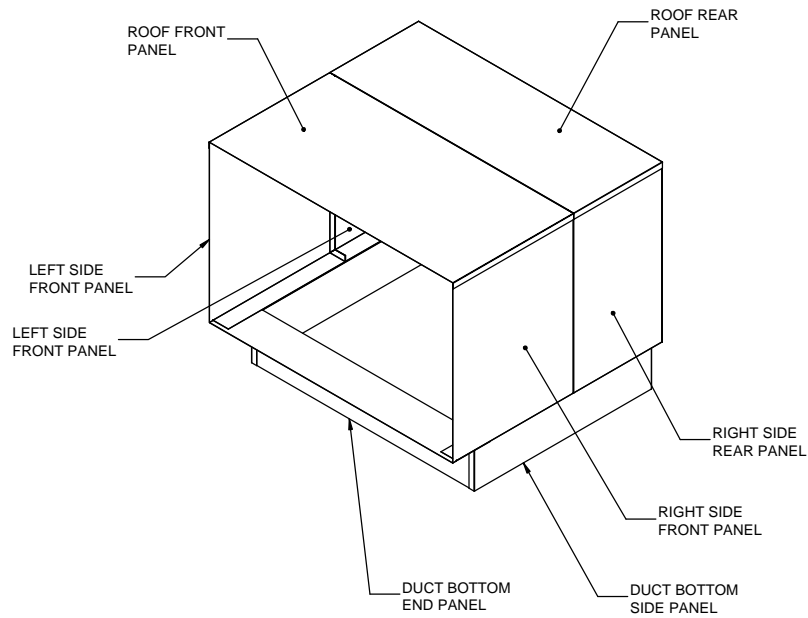
DETAIL F
SCALE 1 : 24




DETAIL E
SCALE 1 : 12

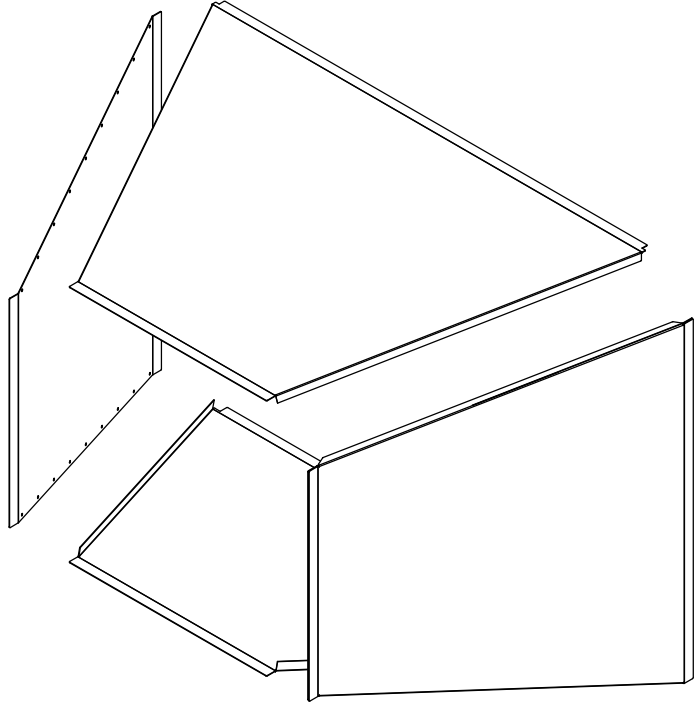
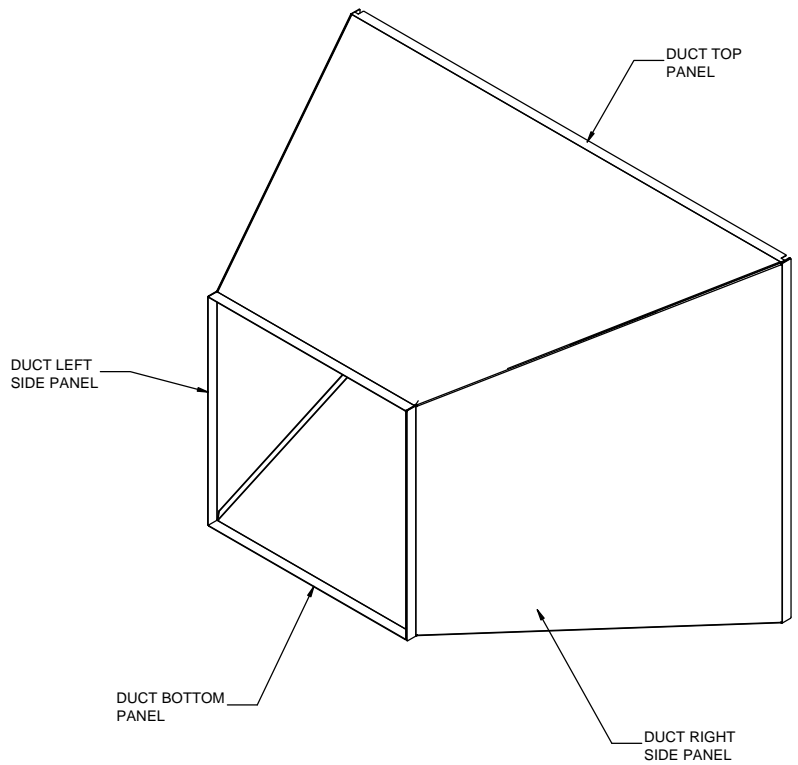
- NOTES:
1. GALVANIZED STEEL CONSTRUCTION.
 2. FULLY WELDED WATERTIGHT ONE PIECE CURB.
 3. PRIME PAINTED AFTER FABRICATION.
 4. THE CURB HAS 1-1/2" THICK 3LB/FT³ FIBERGLASS PERIMETER INSULATION.
 5. INTERNAL ANGLE REINFORCEMENT.
 6. CURB TO BE CURBS PLUS INC. CPC-3 STYLE.

Desert Aire has a policy of continuous product and quality improvement. Specifications and dimensions are subject to change without notice. This drawing and information contained herein are the exclusive property of the Desert Aire Corporation. Any use detrimental to the interests of Desert Aire is prohibited.	All Dimensions in Inches All Angles 90° All outside corners 0.125" fillet Unless Otherwise Specified	Tolerance Unless Otherwise Specified X.X ±.125 X.XX ±.060 X.XXX ±.030 Angles ±1°	 N120 W18485 FREISTADT RD GERMANTOWN, WI 53022 Tel: (262) 946-7400 Fax: (262) 946-7401
Third Angle Projection		Sheet: 4/6	Page Title: DOWN DISCHARGE CURB
Part weight:	Scale: NTS	Rev: 0	Drawing Number: G900-009-G


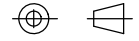


DUCT TRANSITION BY OTHERS.
 DUCT ASSEMBLY IS FOR REFERENCE ONLY!
 ALTERNATE CONSTRUCTION IS ACCEPTABLE.

Desert Aire has a policy of continuous product and quality improvement. Specifications and dimensions are subject to change without notice. This drawing and information contained herein are the exclusive property of the Desert Aire Corporation. Any use detrimental to the interests of Desert Aire is prohibited.	All Dimensions in Inches All Angles 90° All outside corners 0.125" fillet Unless Otherwise Specified	Tolerance Unless Otherwise Specified X.X ±.125 X.XX ±.060 X.XXX ±.030 Angles ±1°	 N120 W18485 FREISTADT RD GERMANTOWN, WI 53022 Tel: (262) 946-7400 Fax: (262) 946-7401
	Third Angle Projection	Drawn MHB Date Released 4/8/2015	
ALL DIMENSIONS ARE IN INCHES TOLERANCE ± 1/8"	Part weight	Sheet 5/6	Page Title DOWN DISCHARGE DUCT
	Scale NTS	Rev. 0	Drawing Number G900-009-G



DUCT TRANSITION BY OTHERS.
 DUCT ASSEMBLY IS FOR REFERENCE ONLY!
 ALTERNATE CONSTRUCTION IS ACCEPTABLE.

Desert Aire has a policy of continuous product and quality improvement. Specifications and dimensions are subject to change without notice. This drawing and information contained herein are the exclusive property of the Desert Aire Corporation. Any use detrimental to the interests of Desert Aire is prohibited.	All Dimensions in Inches All Angles 90° All outside corners 0.125" fillet Unless Otherwise Specified	Tolerance Unless Otherwise Specified X.X ±.125 X.XX ±.060 X.XXX ±.030 Angles ±1°	 N120 W18485 FREISTADT RD GERMANTOWN, WI 53022 Tel: (262) 946-7400 Fax: (262) 946-7401
	 Third Angle Projection	Drawn: MHB Date Released: 4/8/2015	
ALL DIMENSIONS ARE IN INCHES TOLERANCE ± 1/8"	Part weight	Sheet: 6/6 Scale: NTS	Page Title: UNIT TO HEATER DUCT Rev.: 0 Drawing Number: G900-009-G