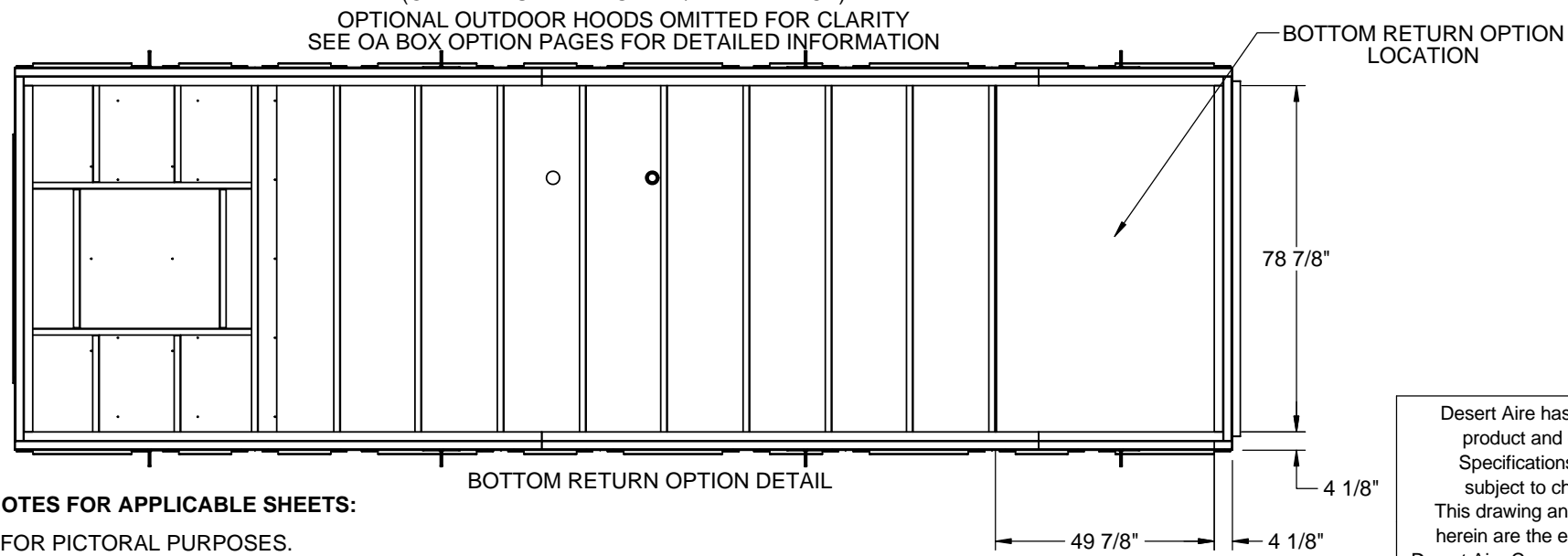
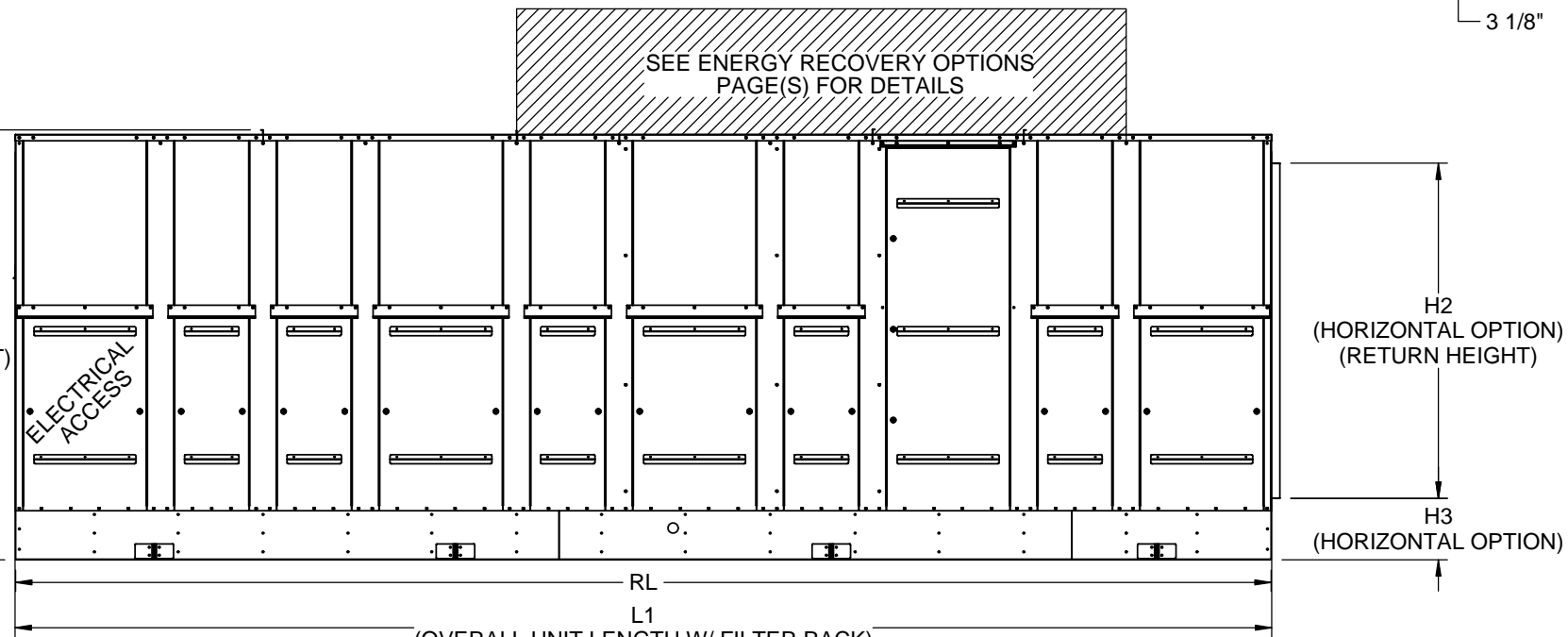
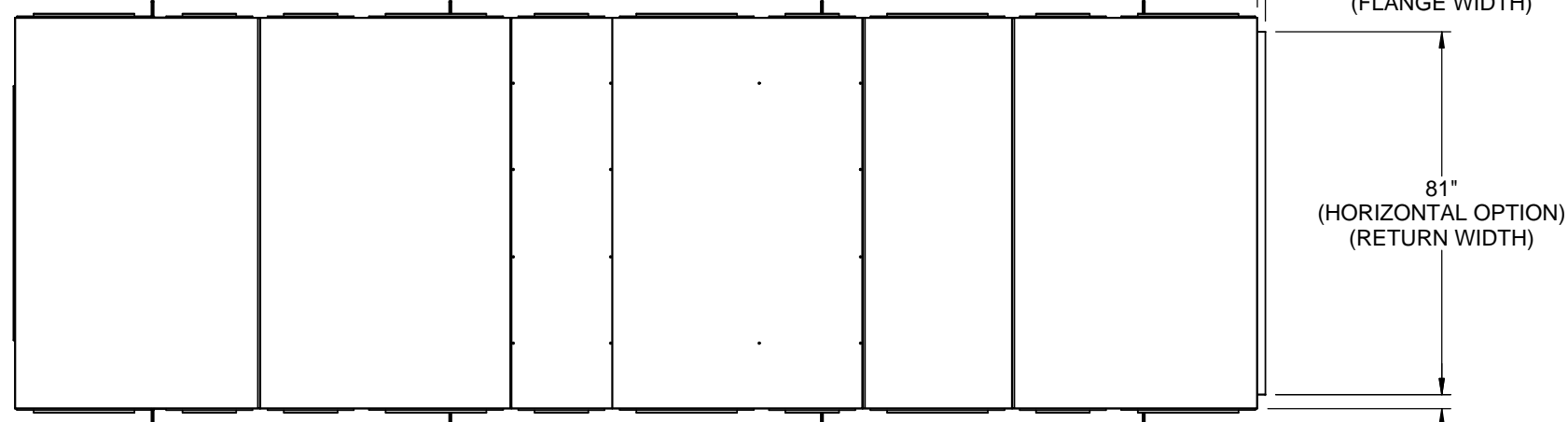
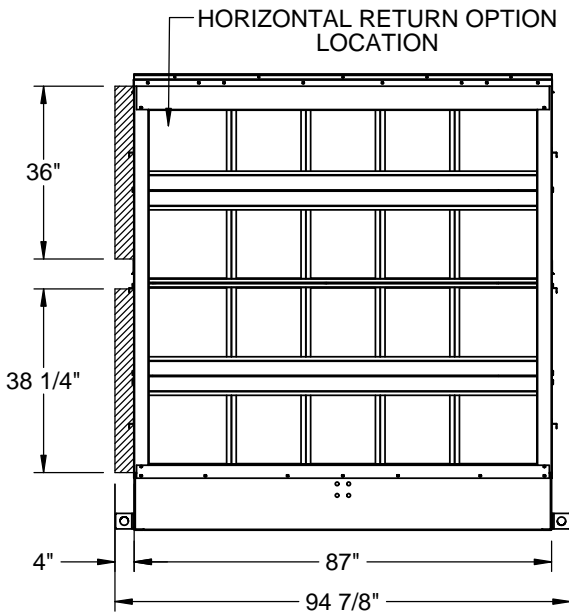
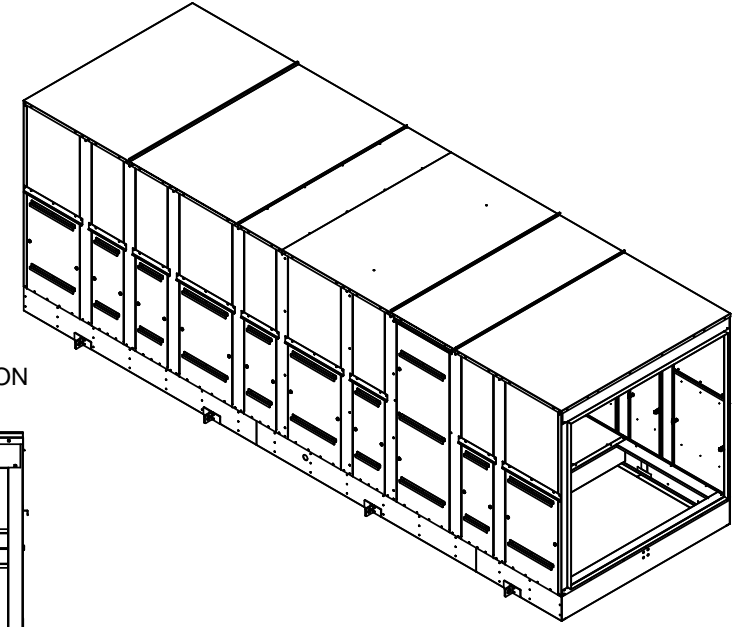


G900-009

NON-VENTILATION UNIT SHOWN



UNIT TYPE	MODEL SIZE	RL	L1	UH	H2	H3
WITHOUT	60	277 1/4	277 3/8	94 7/8	74	13 5/8
WITH ENERGY	60	277 1/4	277 3/8	94 7/8	74	13 5/8



FILTER OPTION	MODEL SIZE	PART NUMBER	QTY	NOM WIDTH	NOM HEIGHT	NOM DEPTH
DISPOSABLE	60	870-030	12	16	25	4
		870-079	8	20		
DEACTIVATOR	60	872-008	12	25	29	2
		870-073	12			

GENERAL NOTES FOR APPLICABLE SHEETS:

- VIEWS ARE FOR PICTORAL PURPOSES.
- REFER TO SUBMITTAL FOR CUSTOMER CONNECTION LOCATIONS.
- DIMENSIONS ARE TO ACCESS SIDE OF UNIT.
- LH ACCESS SHOWN FOR DISPLAY PURPOSES. ACCESS DOOR CONFIGURATION MAY CHANGE DEPENDING ON UNIT SIZE OR TYPE
- REFER TO SHEET 4,5,6 FOR INTAKE AND DISCHARGE CONNECTION DIMENSIONS.

Desert Aire has a policy of continuous product and quality improvement. Specifications and dimensions are subject to change without notice. This drawing and information contained herein are the exclusive property of the Desert Aire Corporation. Any use detrimental to the interests of Desert Aire is prohibited.

All Dimensions in Inches
All Angles 90°
All outside corners 0.125" fillet
Unless Otherwise Specified

Tolerance Unless Otherwise Specified
X.X ±.125
X.XX ±.060
X.XXX ±.030
Angles ±1°

N120 W18485 FREISTADT RD
GERMANTOWN, WI 53022
Tel: (262) 946-7400
Fax: (262) 946-7401

Third Angle Projection

Drawn: ASV Date Released: 12/5/2014 Description: SA 60 TON EXTENDED RETURN

Part weight

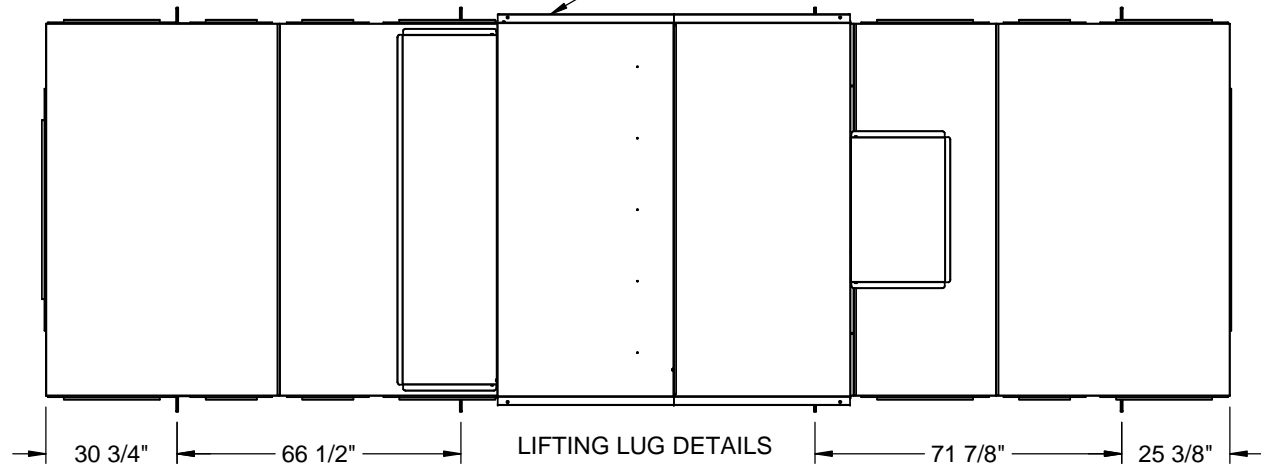
Sheet: 1/8 Page Title: GENERAL INFORMATION

Scale: NTS Rev: 0 Drawing Number: G900-009

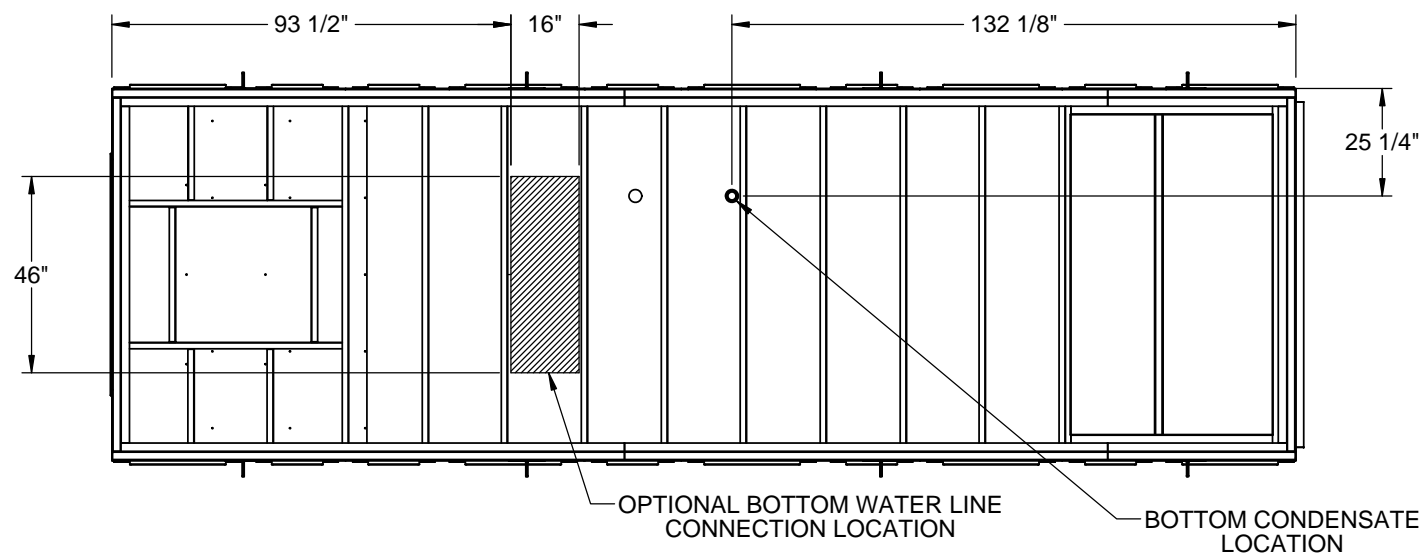
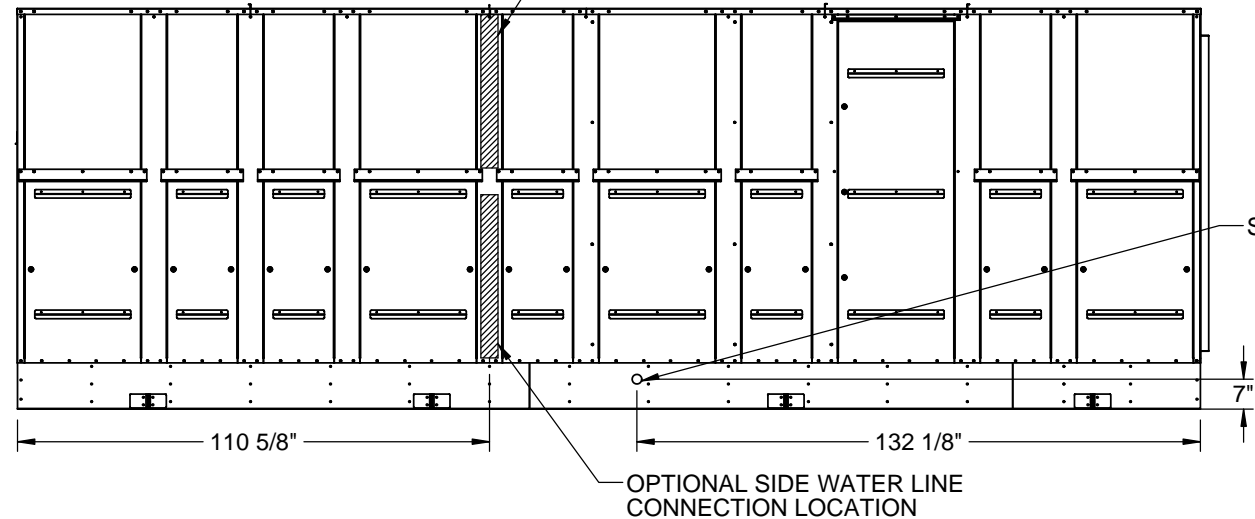
ALL DIMENSIONS ARE IN INCHES
FRACTIONAL TOLERANCE ± 1/8"

G900-009

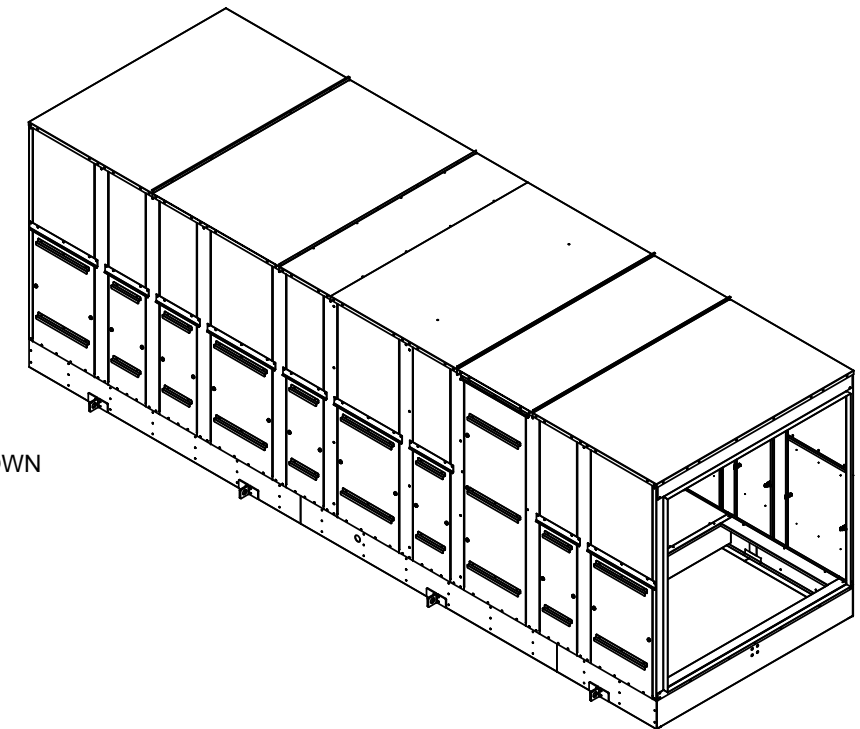
ENERGY RECOVERY OPTION SHOWN



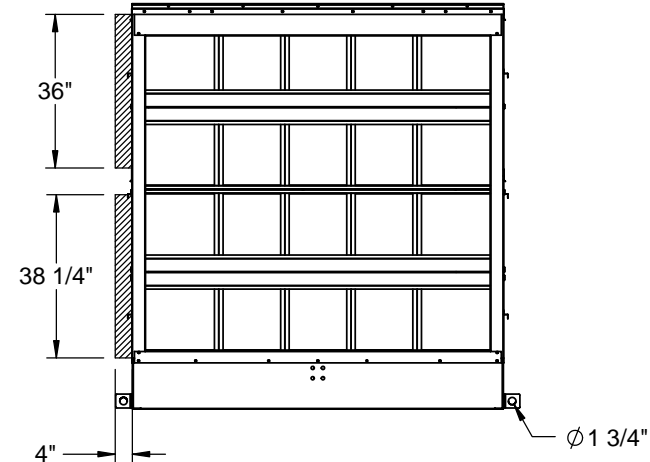
OPTIONAL SIDE REMOTE CONDENSER CONNECTION LOCATION



UNIT TYPE	MODEL SIZE	POOL WATER		CIRCUIT A		CIRCUIT B	
		CIRCUIT A	CIRCUIT B	DISCH DIA	LIQUID DIA	DISCH DIA	LIQUID DIA
WITHOUT	60	2	2	1 5/8	1 1/8	1 5/8	1 1/8
WITH ENERGY	60	2	2	1 5/8	1 1/8	1 5/8	1 1/8



DUCT CONNECTION w/DAMPER OPTION SHOWN

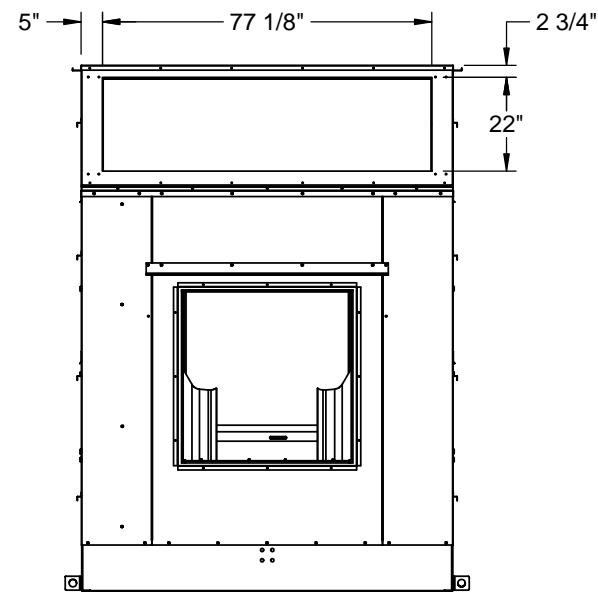
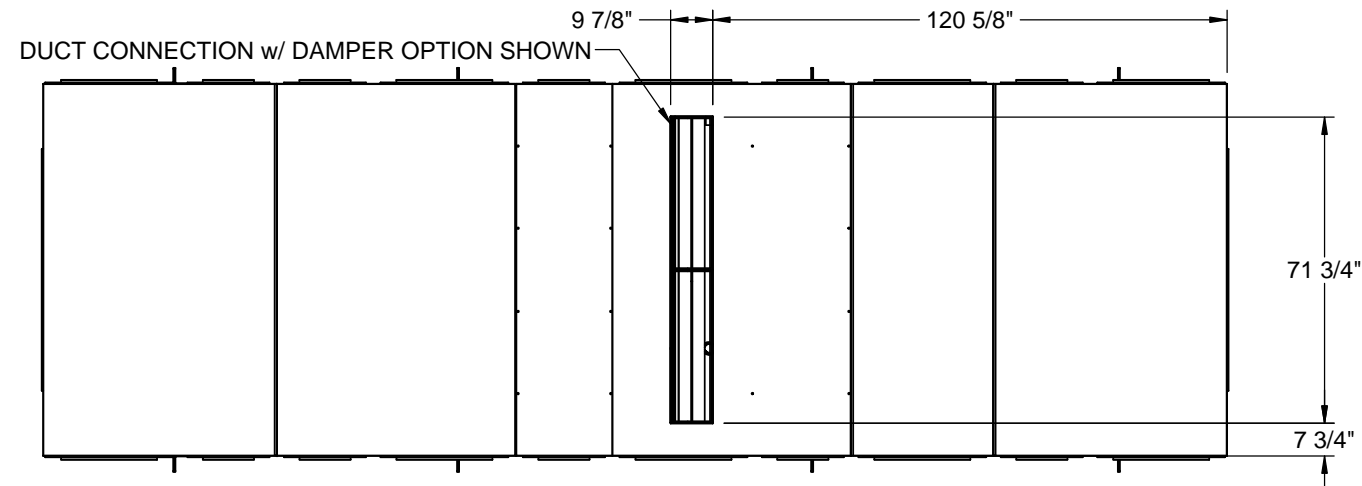


LEFT HAND CONNECTION OPTIONS SHOWN
RIGHT HAND CONNECTION OPTIONS LOCATED WITH SAME DIMENSIONS OPPOSITE SIDE WHEN SPECIFIED

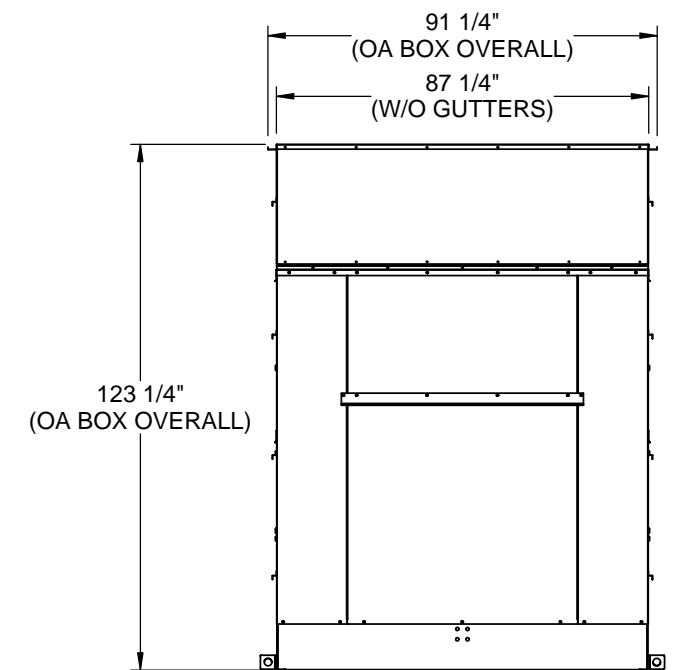
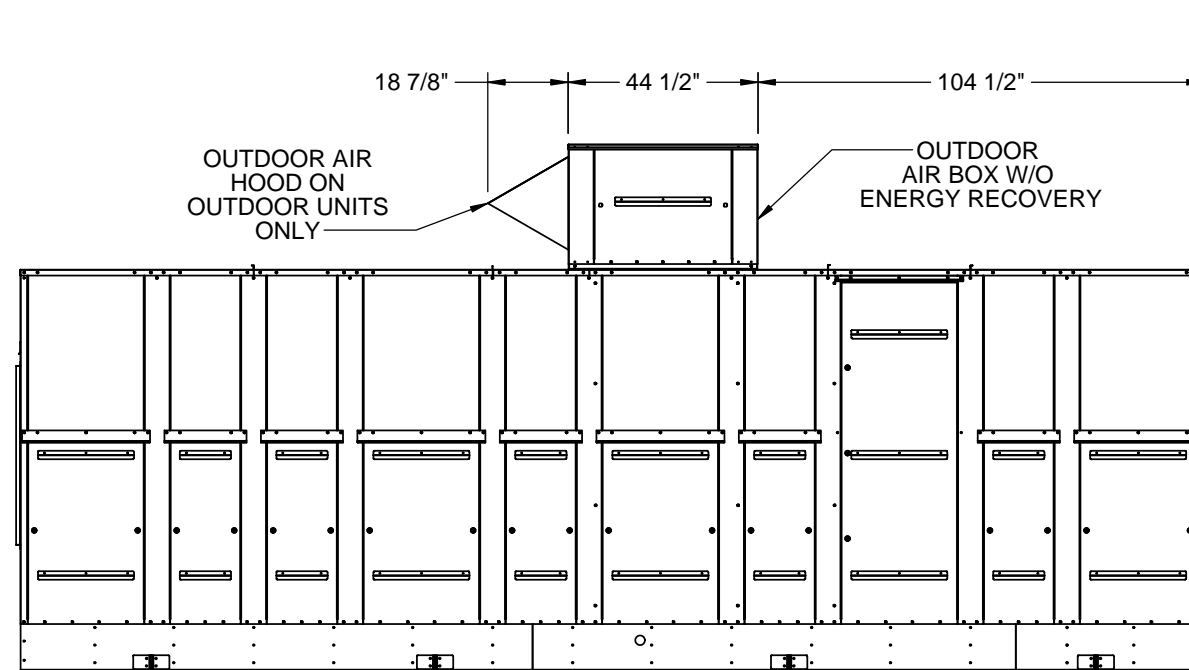
Desert Aire has a policy of continuous product and quality improvement. Specifications and dimensions are subject to change without notice. This drawing and information contained herein are the exclusive property of the Desert Aire Corporation. Any use detrimental to the interests of Desert Aire is prohibited.	All Dimensions in Inches All Angles 90° All outside corners 0.125" fillet Unless Otherwise Specified	Tolerance Unless Otherwise Specified X.X ±.125 X.XX ±.060 X.XXX ±.030 Angles ±1°	<p>N120 W18485 FREISTADT RD GERMANTOWN, WI 53022 Tel: (262) 946-7400 Fax: (262) 946-7401</p>
ALL DIMENSIONS ARE IN INCHES FRACTIONAL TOLERANCE ± 1/8"	Third Angle Projection	Sheet: 2/8	Page Title: CUSTOMER CONNECTIONS
Part weight	Scale: NTS	Rev: 0	Drawing Number: G900-009

G900-009

UNIT TYPE	MODEL SIZE	H1		
		NO VENTILATION	DUCT CONNECTION	OA BOX
WITHOUT ENERGY RECOVERY	60	94 7/8	98 1/4	123 1/4



HOOD OMITTED FOR CLARITY

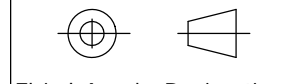


STANDARD OA FILTERS	MODEL SIZE	PART NUMBER	QTY	NOM WIDTH	NOM HEIGHT	NOM DEPTH
DISPOSABLE	60	870-012	2	24	24	4
		870-041	2	20		

Desert Aire has a policy of continuous product and quality improvement. Specifications and dimensions are subject to change without notice. This drawing and information contained herein are the exclusive property of the Desert Aire Corporation. Any use detrimental to the interests of Desert Aire is prohibited.

ALL DIMENSIONS ARE IN INCHES FRACTIONAL TOLERANCE ± 1/8"

All Dimensions in Inches
All Angles 90°
All outside corners 0.125" fillet
Unless Otherwise Specified



Third Angle Projection

Part weight

Tolerance Unless Otherwise Specified
X.X ±.125
X.XX ±.060
X.XXX ±.030
Angles ±1°

Drawn ASV Date Released 12/5/2014

Sheet 3/8

Scale NTS Rev. 0

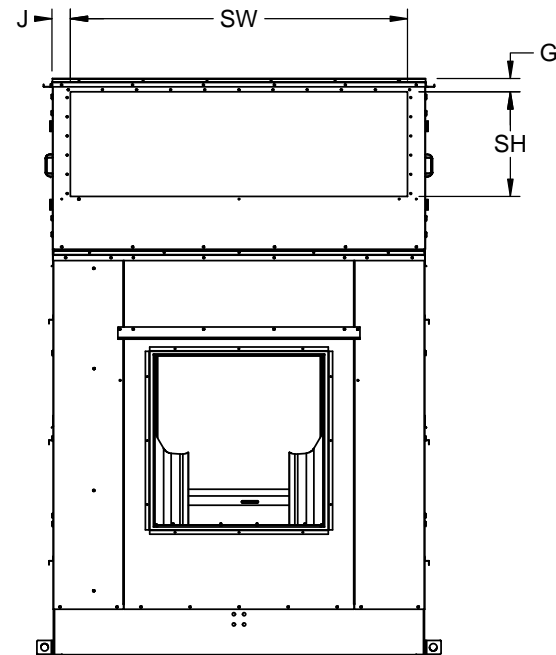
N120 W18485 FREISTADT RD
GERMANTOWN, WI 53022
Tel: (262) 946-7400
Fax: (262) 946-7401

Description SA 60 TON EXTENDED RETURN

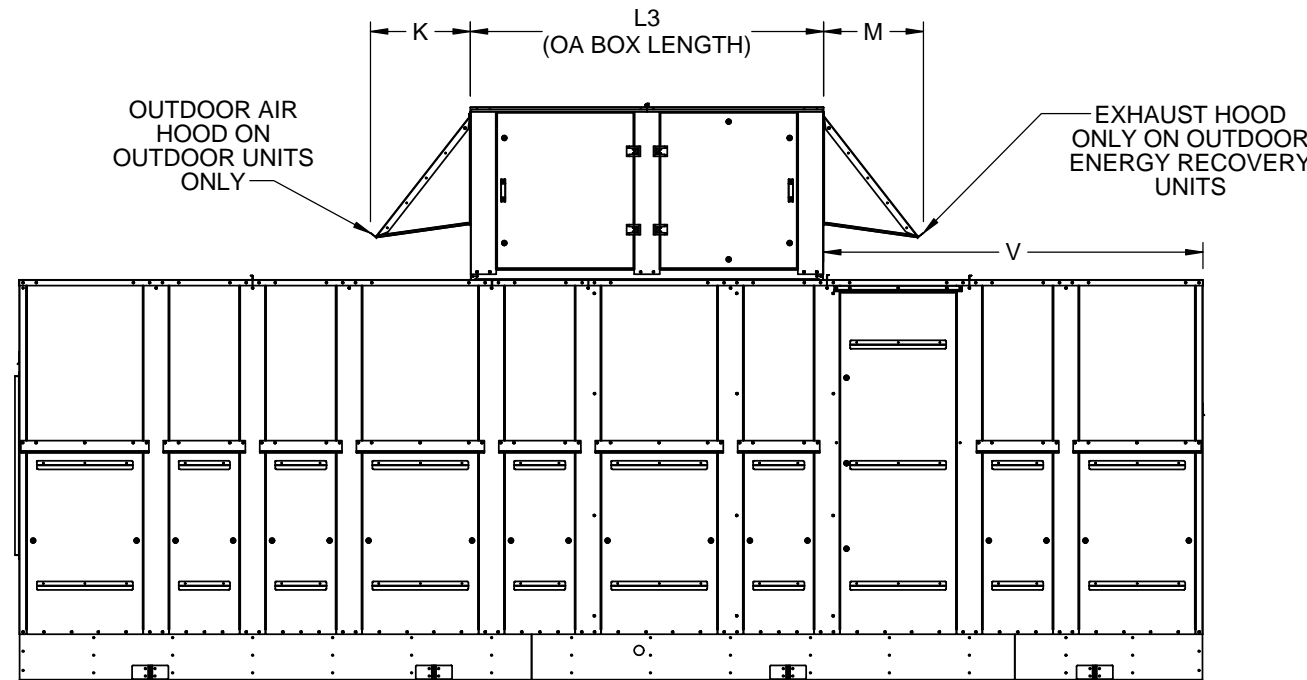
Page Title W/O ENERGY RECOVERY

Drawing Number G900-009

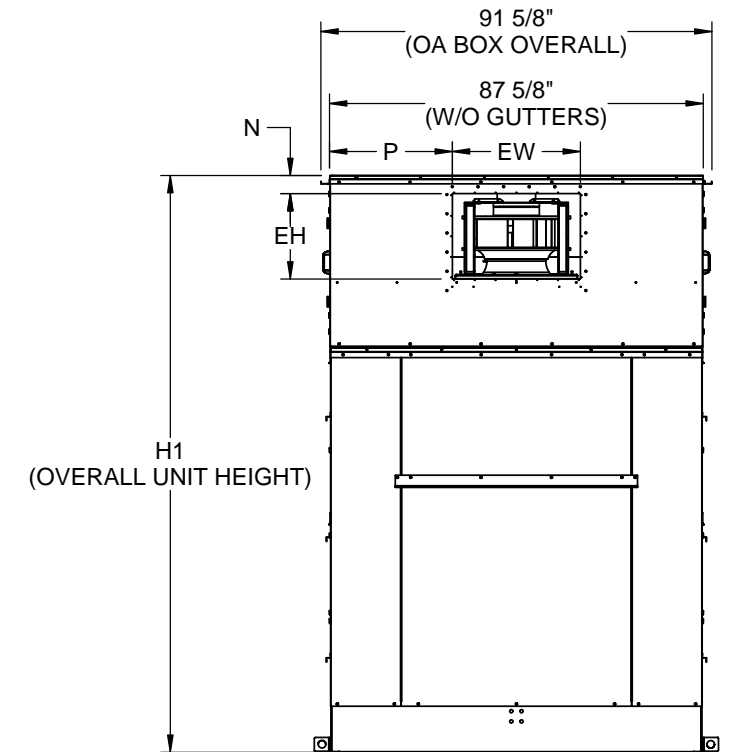
UNIT TYPE	MODEL SIZE	H1	V	HOODS		L3	OA INTAKE OPENING				EXHAUST DISCHARGE OPENING			
				K	M		SH	SW	G	J	EH	EW	N	P
ENERGY RECOVERY STANDARD	60	135 1/4	88 7/8	23 3/8	23 3/8	82 3/4	19 1/2	66 1/2	7 1/8	10 3/8	20	30	4 1/4	28 5/8
ENERGY RECOVERY EXTENDED	60	135 1/4	32 1/8	13 7/8	23 3/8	129 5/8	33	84	4 1/4	1 5/8	20	80	4 1/4	3 5/8



HOODS OMITTED FOR CLARITY



DRAWING IS REPRESENTATIVE
REFER TO TABLES FOR DIMENSIONS OF ACTUAL UNIT SELECTION



HOODS OMITTED FOR CLARITY

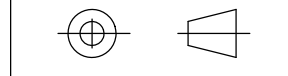
STANDARD OA FILTERS	MODEL SIZE	PART NUMBER	QTY	NOM WIDTH	NOM HEIGHT	NOM DEPTH
DISPOSABLE	60	870-012	2	24	24	4
		870-041	2	20		

EXPANDED SAB FILTERS	MODEL SIZE	PART NUMBER	QTY	NOM WIDTH	NOM HEIGHT	NOM DEPTH
DISPOSABLE	60	870-010	2	20	20	4
		870-041	4	20	24	4
		870-012	2	24	24	4

Desert Aire has a policy of continuous product and quality improvement. Specifications and dimensions are subject to change without notice. This drawing and information contained herein are the exclusive property of the Desert Aire Corporation. Any use detrimental to the interests of Desert Aire is prohibited.

ALL DIMENSIONS ARE IN INCHES
FRACTIONAL TOLERANCE ± 1/8"

All Dimensions in Inches
All Angles 90°
All outside corners 0.125" fillet
Unless Otherwise Specified



Third Angle Projection

Part weight

Tolerance Unless Otherwise Specified
X.X ±.125
X.XX ±.060
X.XXX ±.030
Angles ±1°

Drawn ASV Date Released 12/5/2014

Sheet 4/8

Scale NTS Rev. 0

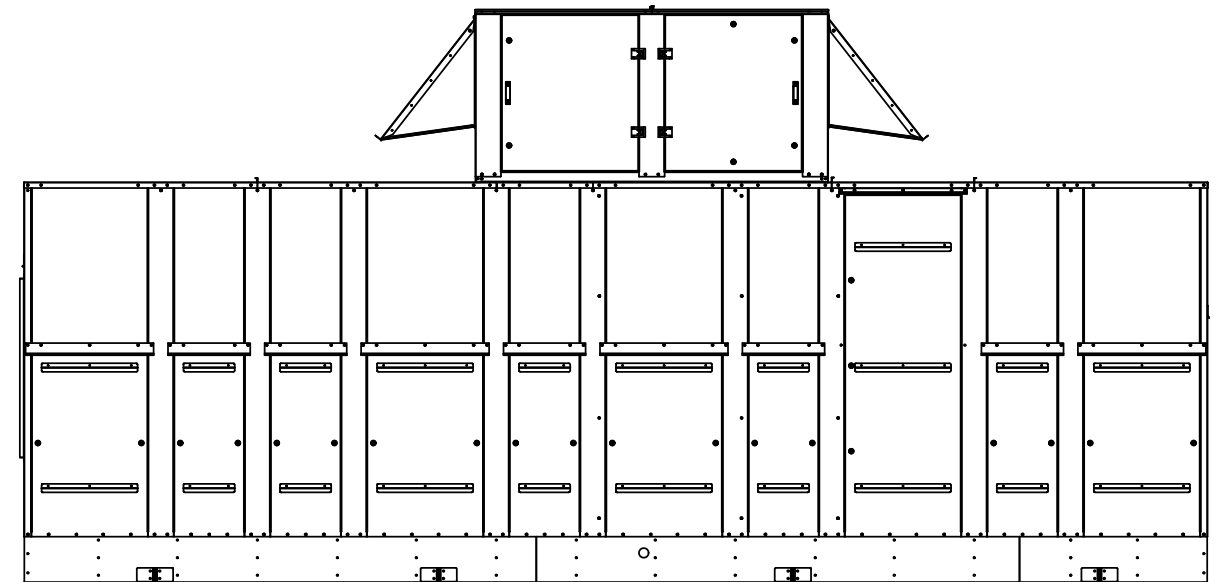
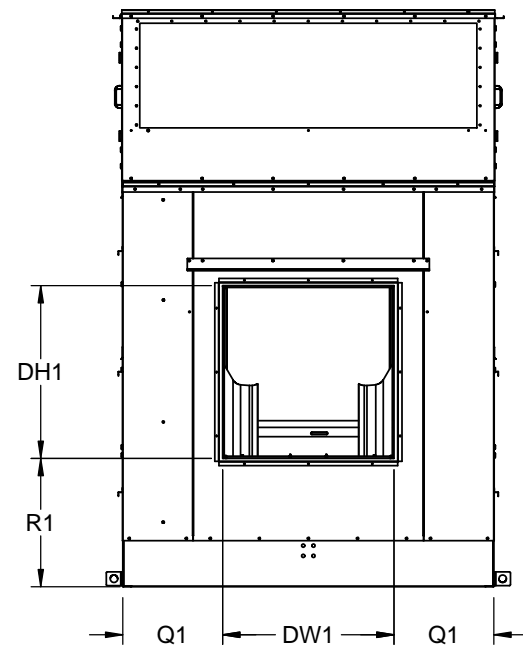
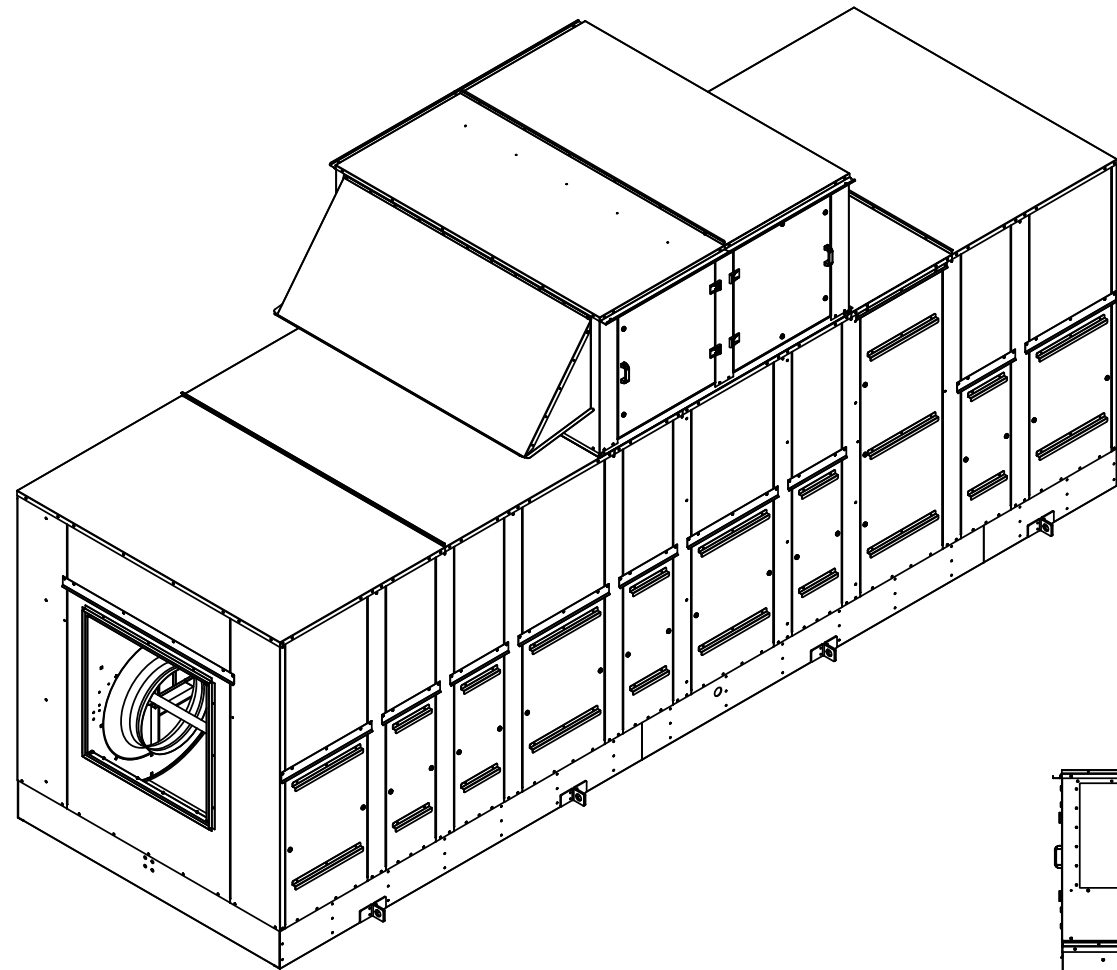
N120 W18485 FREISTADT RD
GERMANTOWN, WI 53022
Tel: (262) 946-7400
Fax: (262) 946-7401

Description SA 60 TON EXTENDED RETURN

Page Title W/ ENERGY RECOVERY

Drawing Number G900-009

60 TON				
BLOWER	DH1	DW1	R1	Q1
ATLI 25-25	31 3/4	31 3/4	26 3/8	27 7/8
ATZAF 25-25	31 3/4	31 3/4	26 3/8	27 7/8
ATZAF 28-28	35 1/2	35 1/2	28 3/8	26
ATZAF 32-32	39 3/4	39 3/4	30 5/8	23 7/8



Desert Aire has a policy of continuous product and quality improvement. Specifications and dimensions are subject to change without notice. This drawing and information contained herein are the exclusive property of the Desert Aire Corporation. Any use detrimental to the interests of Desert Aire is prohibited.

ALL DIMENSIONS ARE IN INCHES
FRACTIONAL TOLERANCE $\pm 1/8"$

All Dimensions in Inches
All Angles 90°
All outside corners 0.125" fillet
Unless Otherwise Specified



Third Angle Projection

Part weight

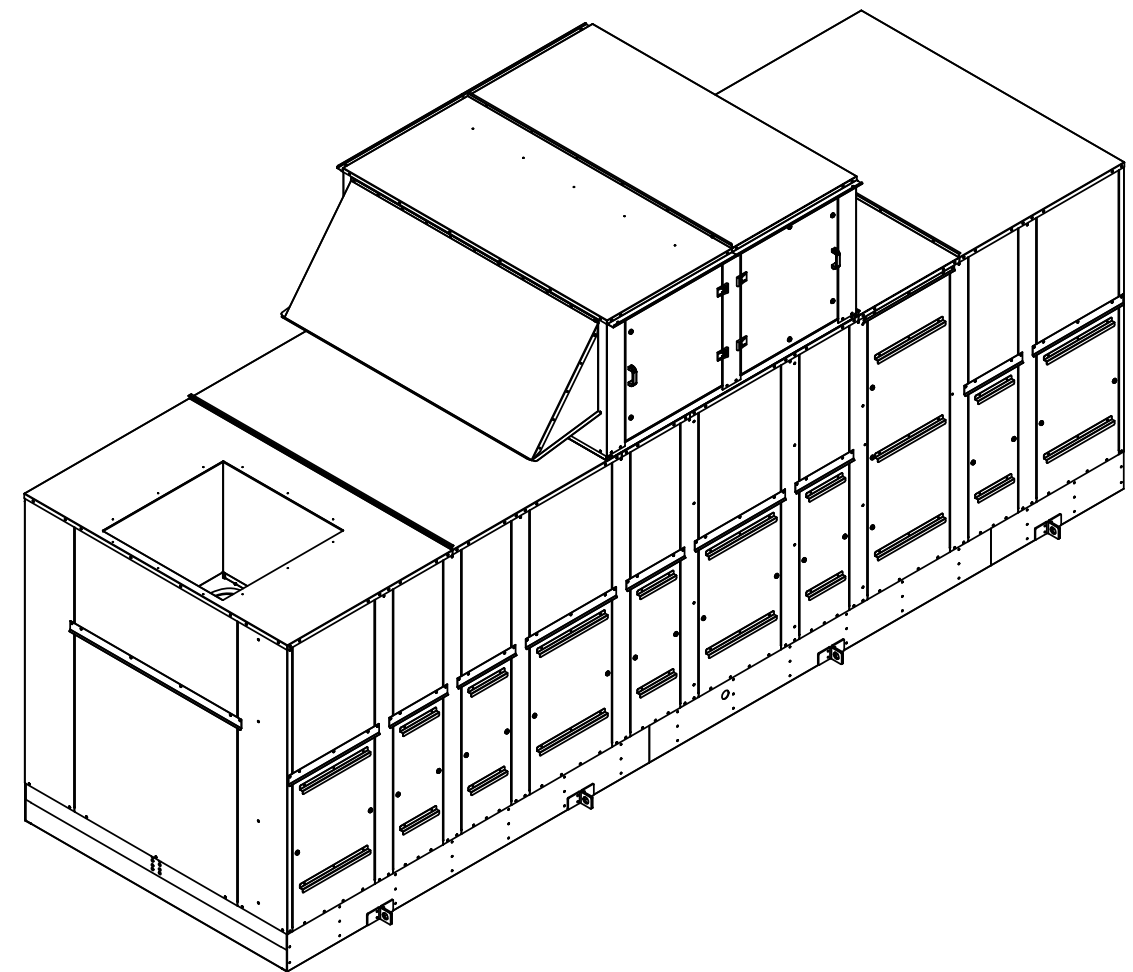
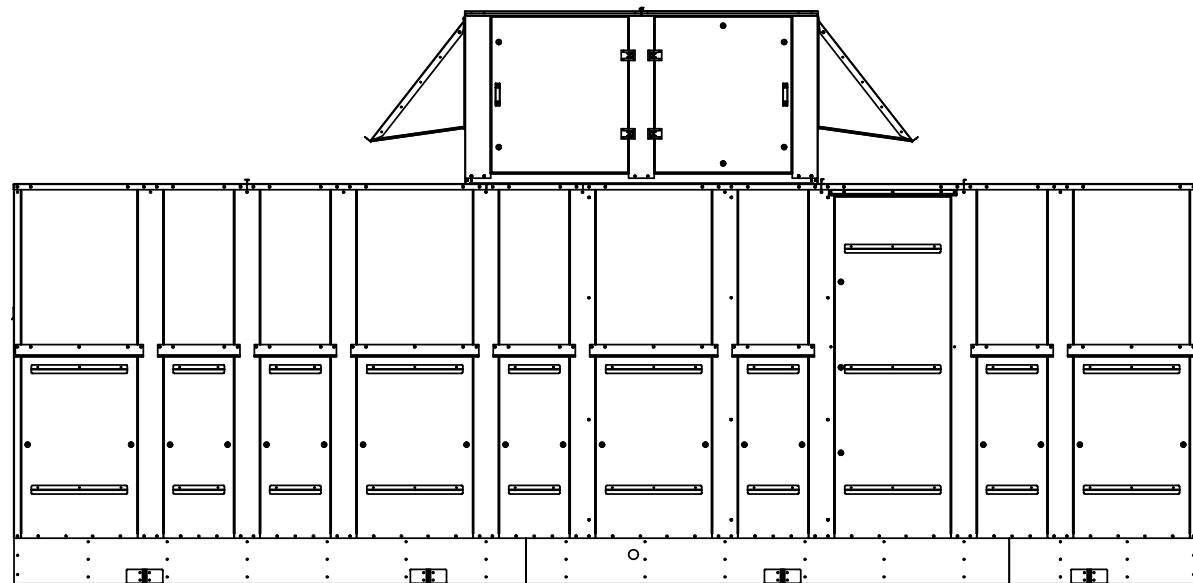
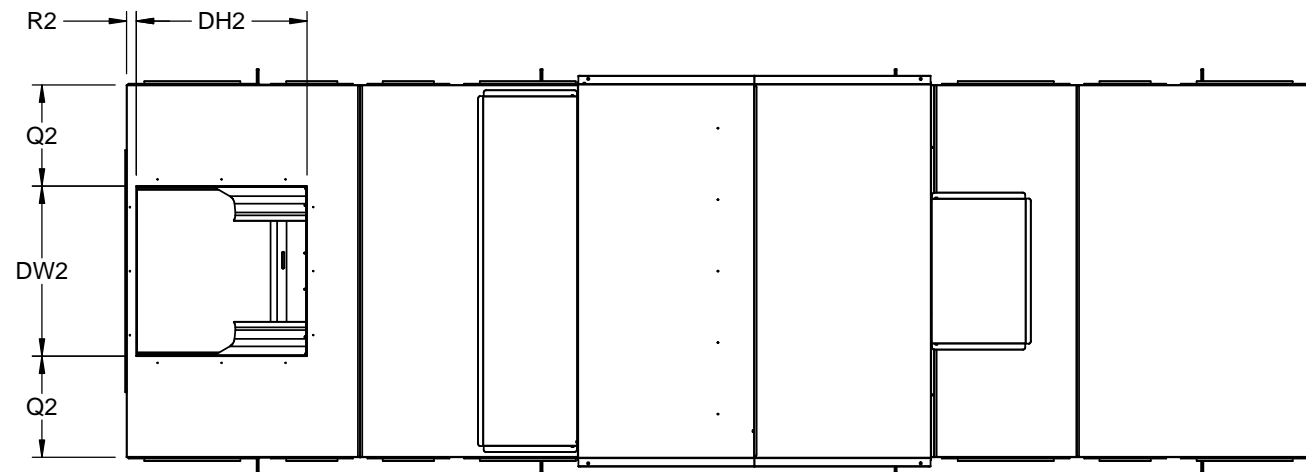
Tolerance Unless
Otherwise Specified
X.X $\pm .125$
X.XX $\pm .060$
X.XXX $\pm .030$
Angles $\pm 1^\circ$




N120 W18485 FREISTADT RD
GERMANTOWN, WI 53022
Tel: (262) 946-7400
Fax: (262) 946-7401

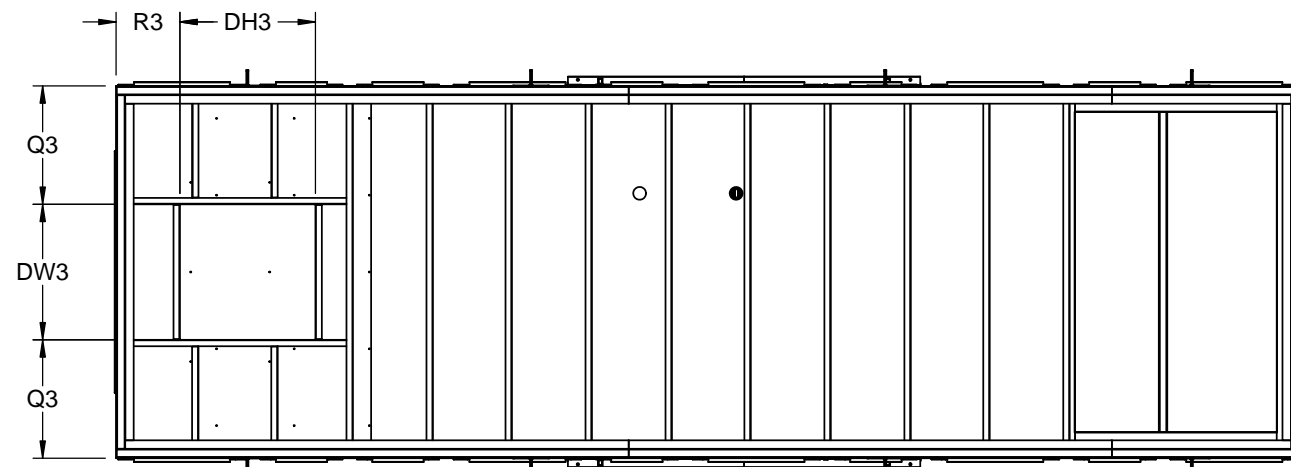
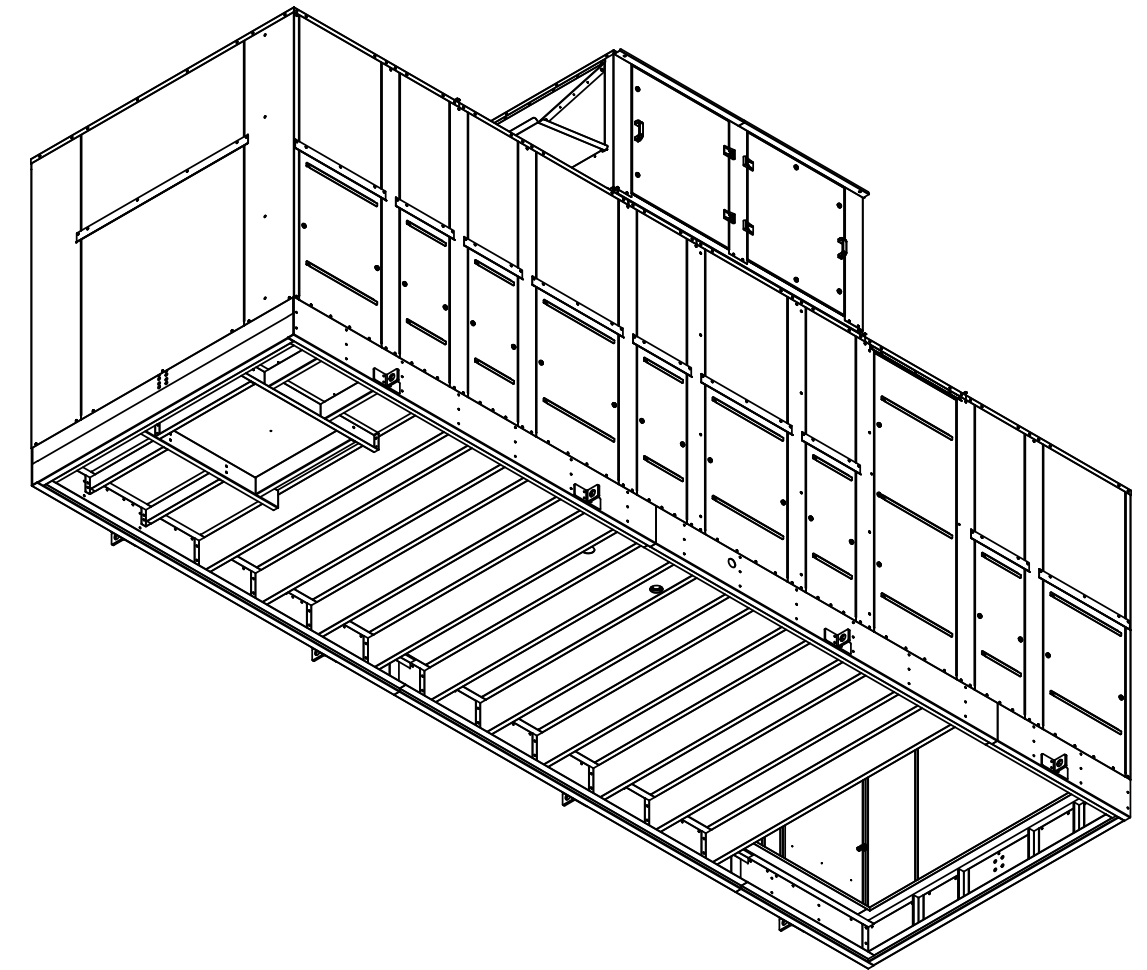
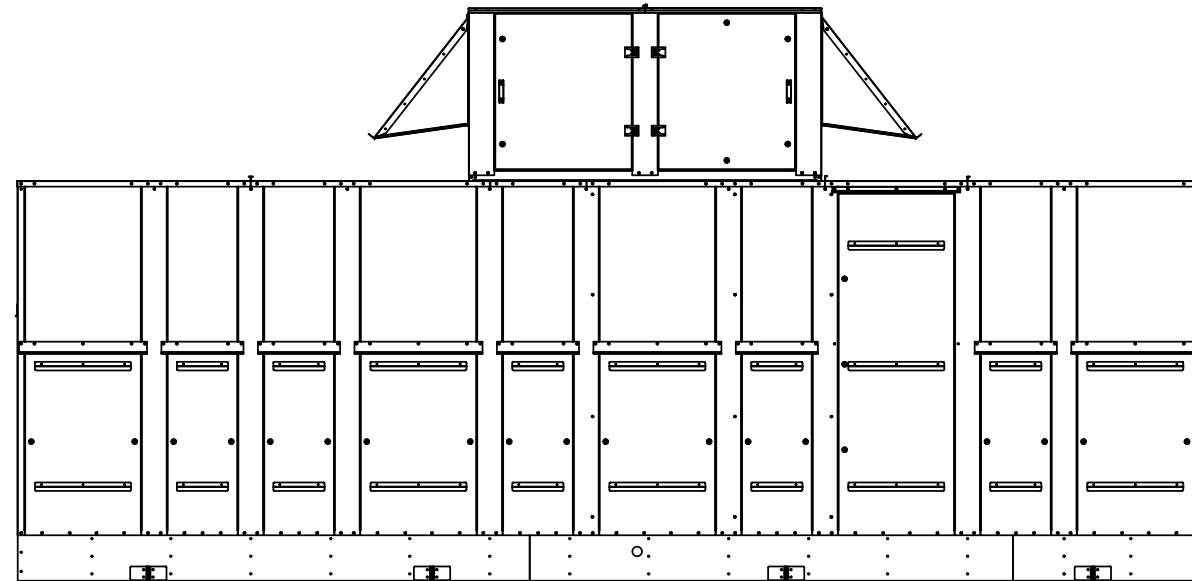
Drawn ASV	Date Released 12/5/2014	Description SA 60 TON EXTENDED RETURN
Sheet 5/8	Page Title END SUPPLY	
Scale NTS	Rev. 0	Drawing Number G900-009


60 TON					
BLOWER	DH2	DW2	R2		Q2
			OVER	AWAY	
ATLI 25-25	31 3/4	31 3/4	1 3/8	14 7/8	27 7/8
ATZAF 25-25	31 3/4	31 3/4	1 3/8	14 7/8	27 7/8
ATZAF 28-28	35 1/2	35 1/2	1 3/8	16 7/8	26
ATZAF 32-32	39 3/4	39 3/4	1 3/8	19 1/8	23 7/8

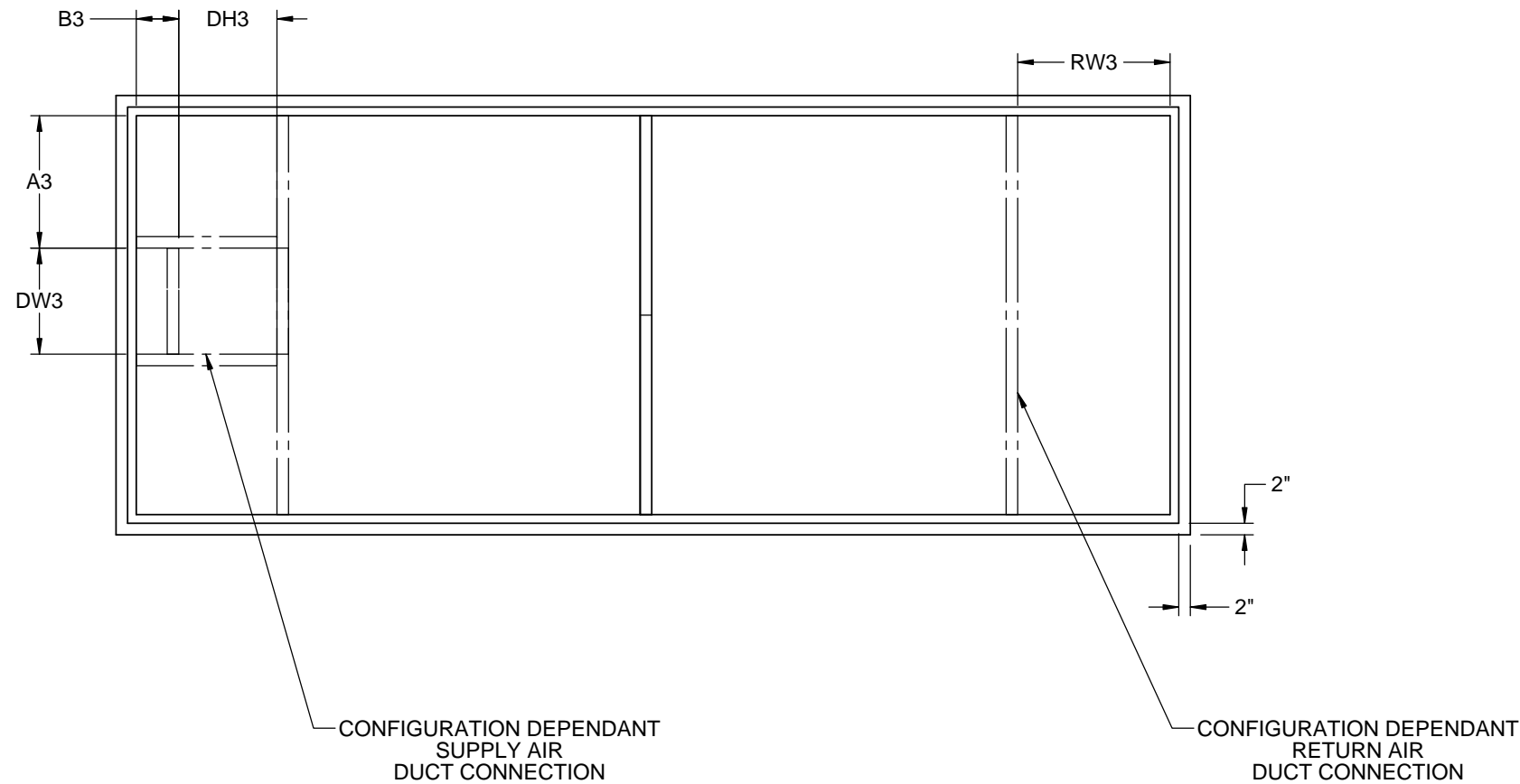


Desert Aire has a policy of continuous product and quality improvement. Specifications and dimensions are subject to change without notice. This drawing and information contained herein are the exclusive property of the Desert Aire Corporation. Any use detrimental to the interests of Desert Aire is prohibited.	All Dimensions in Inches All Angles 90° All outside corners 0.125" fillet Unless Otherwise Specified	Tolerance Unless Otherwise Specified X.X ±.125 X.XX ±.060 X.XXX ±.030 Angles ±1°	 N120 W18485 FREISTADT RD GERMANTOWN, WI 53022 Tel: (262) 946-7400 Fax: (262) 946-7401
ALL DIMENSIONS ARE IN INCHES FRACTIONAL TOLERANCE ± 1/8"	Third Angle Projection	Sheet: 6/8 Page Title: TOP SUPPLY	Drawing Number: G900-009
Part weight	Scale: NTS Rev: 0		

60 TON				
BLOWER	DH3	DW3	R3	Q3
ATLI 25-25	31 3/4	31 3/4	14 7/8	27 7/8
ATZAF 25-25	31 3/4	31 3/4	14 7/8	27 7/8
ATZAF 28-28	35 1/2	35 1/2	16 7/8	26
ATZAF 32-32	39 3/4	39 3/4	19 1/8	23 7/8

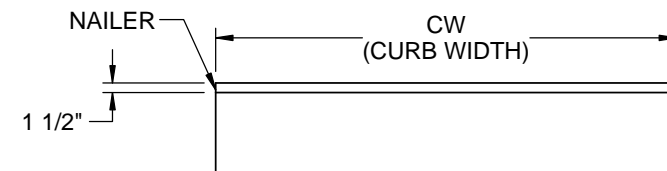
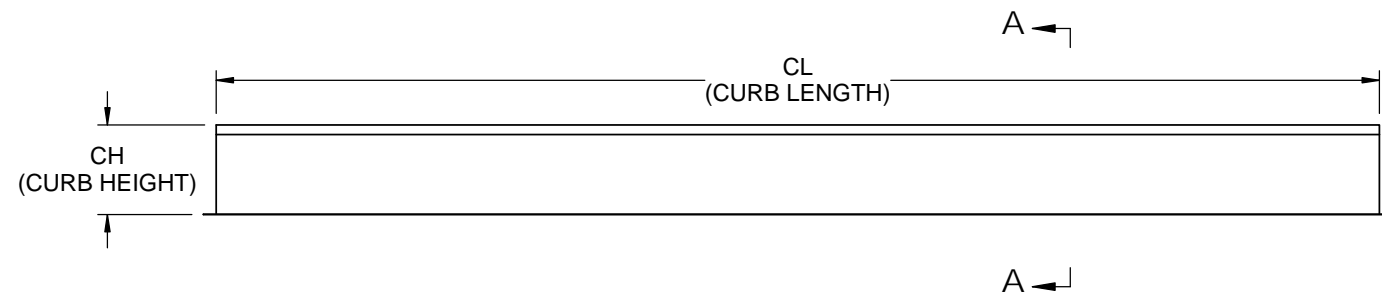


Desert Aire has a policy of continuous product and quality improvement. Specifications and dimensions are subject to change without notice. This drawing and information contained herein are the exclusive property of the Desert Aire Corporation. Any use detrimental to the interests of Desert Aire is prohibited.	All Dimensions in Inches All Angles 90° All outside corners 0.125" fillet Unless Otherwise Specified	Tolerance Unless Otherwise Specified X.X ±.125 X.XX ±.060 X.XXX ±.030 Angles ±1°	 N120 W18485 FREISTADT RD GERMANTOWN, WI 53022 Tel: (262) 946-7400 Fax: (262) 946-7401
ALL DIMENSIONS ARE IN INCHES FRACTIONAL TOLERANCE ± 1/8"	Third Angle Projection	Sheet: 7/8 Scale: NTS	Page Title: DOWN SUPPLY Rev. 0 Drawing Number: G900-009



CURB PN	CURB		DOWN SUPPLY AND / OR DOWN RETURN				
	LENGTH	WIDTH	RW3	DW3	A3	DH3	B3
CB-LNDF-XX	272 1/4	82	49 7/8	31 3/4	23 5/8	31 3/4	10 7/8
CB-LNDK-XX	272 1/4	82	49 7/8	31 3/4	23 5/8	31 3/4	10 7/8
CB-LNDM-XX	272 1/4	82	49 7/8	35 1/2	21 3/4	35 1/2	12 7/8
CB-LNDN-XX	272 1/4	82	49 7/8	39 3/4	19 5/8	39 3/4	15 1/8
CB-LNDZ-XX	272 1/4	82	49 7/8	NO SUPPLY/RETURN DUCT CONNECITON			

CURB HEIGHT IN INCHES DESIGNATED BY XX IN THE CURB PART NUMBER



SECTION A-A

DUCT CONNECTIONS FOR DOWN SUPPLY AND/OR DOWN RETURN

NOTES:
REFER TO SHEET 1 FOR GENERAL NOTES

CURBS 115" IN LENGTH AND LESS ARE SHIPPED AS COMPLETE CURBS, GREATER THAN 115" ARE SHIPPED KNOCKED DOWN.

NUMBER AND LOCATION OF CROSS SUPPORT(S) IS DEPENDANT UPON THE GAUGE OF MATERIAL USED TO CONSTRUCT THE CURB, DUCT SUPPORT CONFIGURATION, LENGTH OF CURB, AND WIDTH OF CURB. INSTALLATION INSTRUCTIONS INCLUDED WITH CURB SHIPMENT INDICATE THE REQUIRED POSITION FOR FIELD ASSEMBLED CURBS.

Desert Aire has a policy of continuous product and quality improvement. Specifications and dimensions are subject to change without notice. This drawing and information contained herein are the exclusive property of the Desert Aire Corporation. Any use detrimental to the interests of Desert Aire is prohibited.	All Dimensions in Inches All Angles 90° All outside corners 0.125" fillet Unless Otherwise Specified	Tolerance Unless Otherwise Specified X.X ±.125 X.XX ±.060 X.XXX ±.030 Angles ±1°	N120 W18485 FREISTADT RD GERMANTOWN, WI 53022 Tel: (262) 946-7400 Fax: (262) 946-7401
ALL DIMENSIONS ARE IN INCHES TOLERANCE ± 1/8"	Third Angle Projection	Sheet: 8/8	Page Title: CURB DETAILS
Part weight	Scale: NTS	Rev: 0	Drawing Number: G900-009