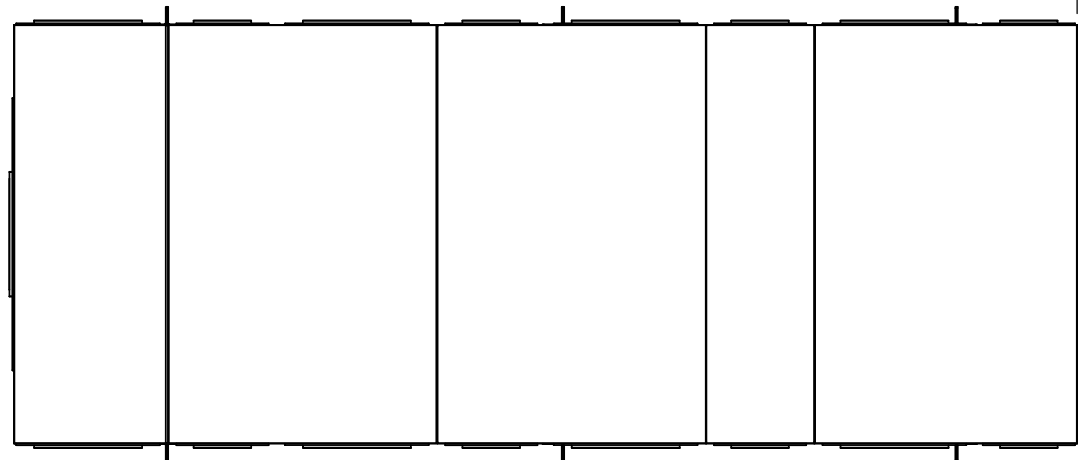


G900-008

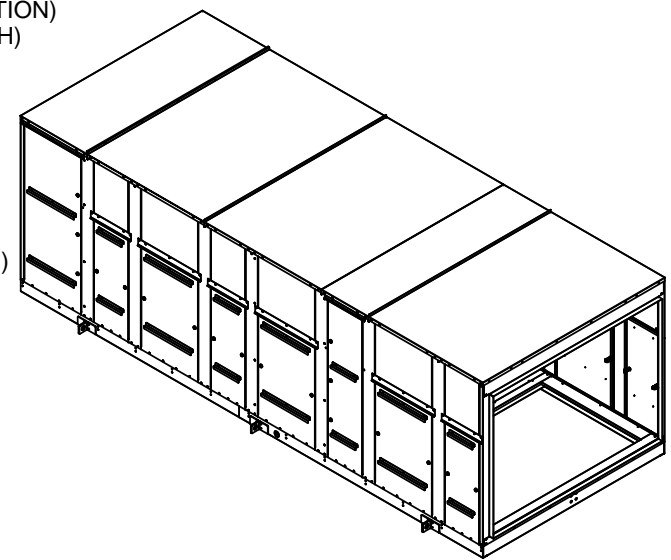
NON-VENTILATION UNIT SHOWN



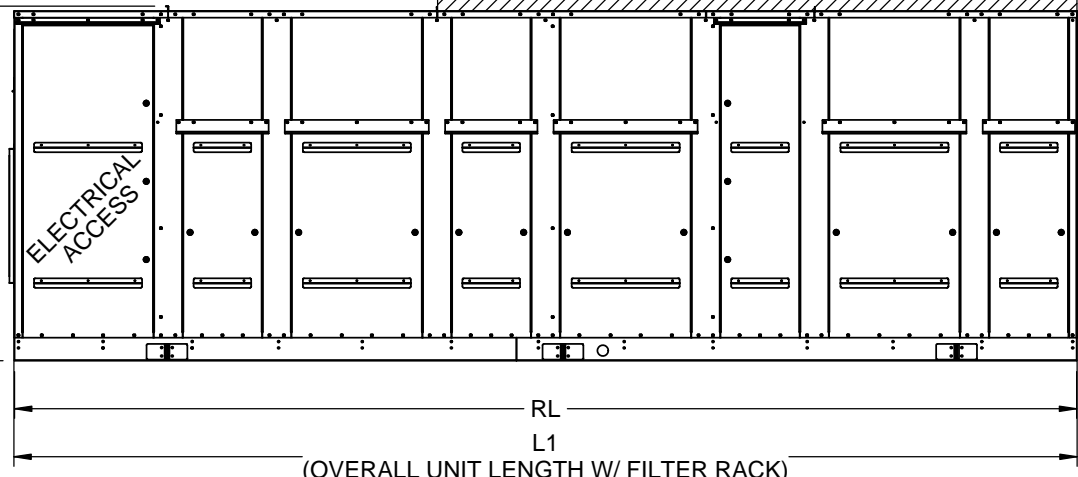
1 7/8"  
(HORIZONTAL OPTION)  
(FLANGE WIDTH)

81"  
(HORIZONTAL OPTION)  
(RETURN WIDTH)

3 1/8"



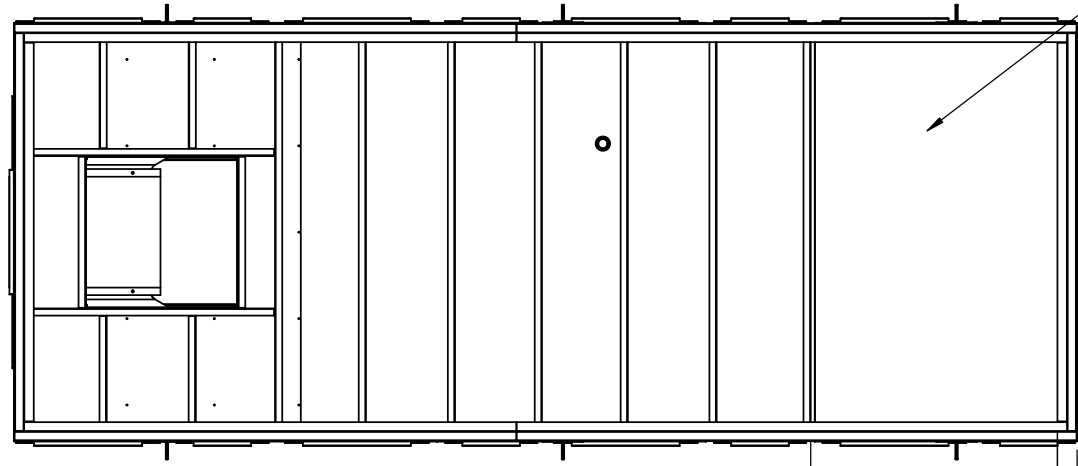
SEE ENERGY RECOVERY OPTIONS  
PAGE(S) FOR DETAILS



OPTIONAL OUTDOOR HOODS OMITTED FOR CLARITY  
SEE OA BOX OPTION PAGES FOR DETAILED INFORMATION

H2  
(HORIZONTAL OPTION)  
(RETURN HEIGHT)

H3  
(HORIZONTAL OPTION)



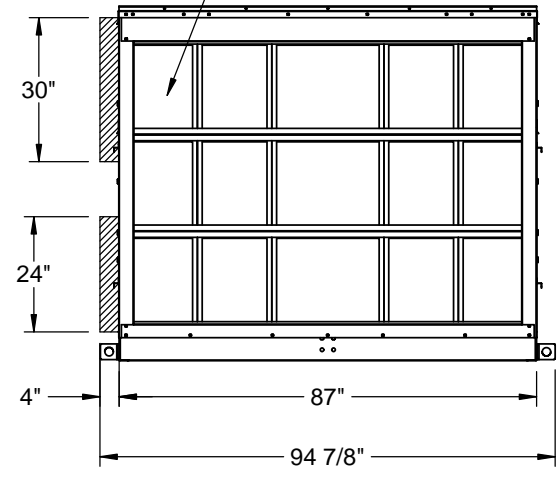
BOTTOM RETURN OPTION DETAIL

4"

51 3/8" 4 1/8"

BOTTOM RETURN OPTION  
LOCATION

HORIZONTAL RETURN OPTION  
LOCATION



UNIT TYPE	MODEL SIZE	RL	L1	UH	H2	H3
WITHOUT ENERGY RECOVERY	35	221 1/4	221 3/8	73 7/8	59	7 5/8
	40	221 1/4	221 3/8	73 7/8	59	7 5/8
	45	221 1/4	221 3/8	88 7/8	74	7 5/8
	50	221 1/4	221 3/8	88 7/8	74	7 5/8
WITH ENERGY RECOVERY	35	221 1/4	221 3/8	73 7/8	59	7 5/8
	40	221 1/4	221 3/8	73 7/8	59	7 5/8
	45	221 1/4	221 3/8	88 7/8	74	7 5/8
	50	221 1/4	221 3/8	88 7/8	74	7 5/8

FILTER OPTION	MODEL SIZE	PART NUMBER	QTY	NOM WIDTH	NOM HEIGHT	NOM DEPTH		
DISPOSABLE	35	870-028	12	16	20	4		
		870-041	3	24				
	40	870-028	12	16	20	4		
		870-041	3	24				
DEACTIVATOR	35	872-006	3	16	20	2		
		870-043	3				24	
		872-009	3	16				20
		870-057	3				24	
40	872-006	3	16	20	2			
	870-043	3				24		
	872-009	3	16				25	29
	870-057	3				24		
45	872-010	6	25	29	2			
	870-009	6				24		
	50	872-006	6				25	29
		870-043	6			24		
872-009		3	25	29				
870-057		3			24			

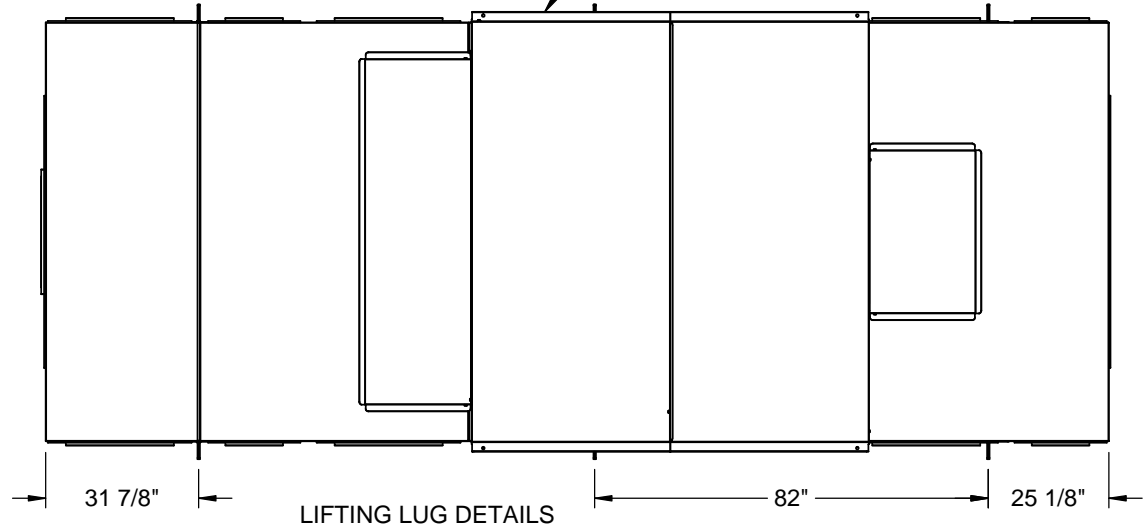
**GENERAL NOTES FOR APPLICABLE SHEETS:**

- VIEWS ARE FOR PICTORAL PURPOSES.
- REFER TO SUBMITTAL FOR CUSTOMER CONNECTION LOCATIONS.
- DIMENSIONS ARE TO ACCESS SIDE OF UNIT.
- LH ACCESS SHOWN FOR DISPLAY PURPOSES. ACCESS DOOR CONFIGURATION MAY CHANGE DEPENDING ON UNIT SIZE OR TYPE
- REFER TO SHEET 4,5,6 FOR INTAKE AND DISCHARGE CONNECTION DIMENSIONS.

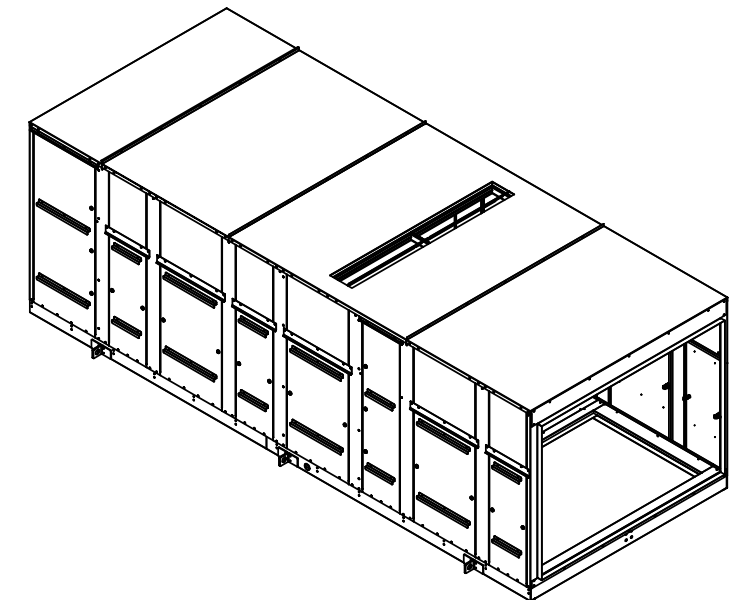
Desert Aire has a policy of continuous product and quality improvement. Specifications and dimensions are subject to change without notice. This drawing and information contained herein are the exclusive property of the Desert Aire Corporation. Any use detrimental to the interests of Desert Aire is prohibited.	All Dimensions in Inches All Angles 90° All outside corners 0.125" fillet Unless Otherwise Specified	Tolerance Unless Otherwise Specified X.X ±.125 X.XX ±.060 X.XXX ±.030 Angles ±1°	N120 W18485 FREISTADT RD GERMANTOWN, WI 53022 Tel: (262) 946-7400 Fax: (262) 946-7401
ALL DIMENSIONS ARE IN INCHES FRACTIONAL TOLERANCE ± 1/8"	Third Angle Projection	Sheet: 1/8	Page Title: GENERAL INFORMATION
Part weight	Scale: NTS	Rev: 0	Drawing Number: G900-008

G900-008

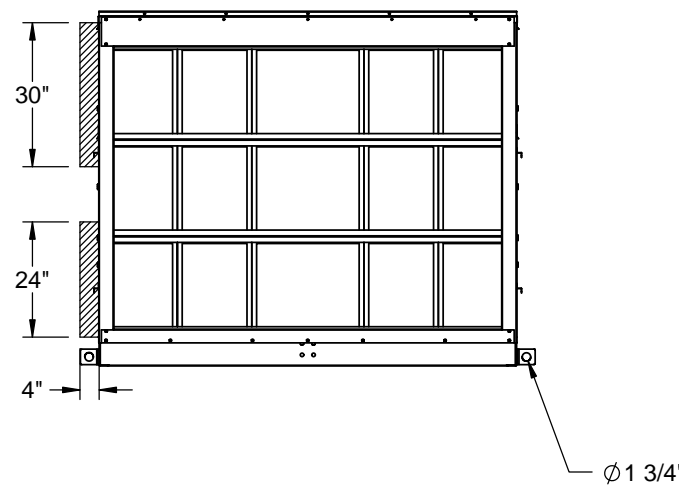
ENERGY RECOVERY OPTION SHOWN



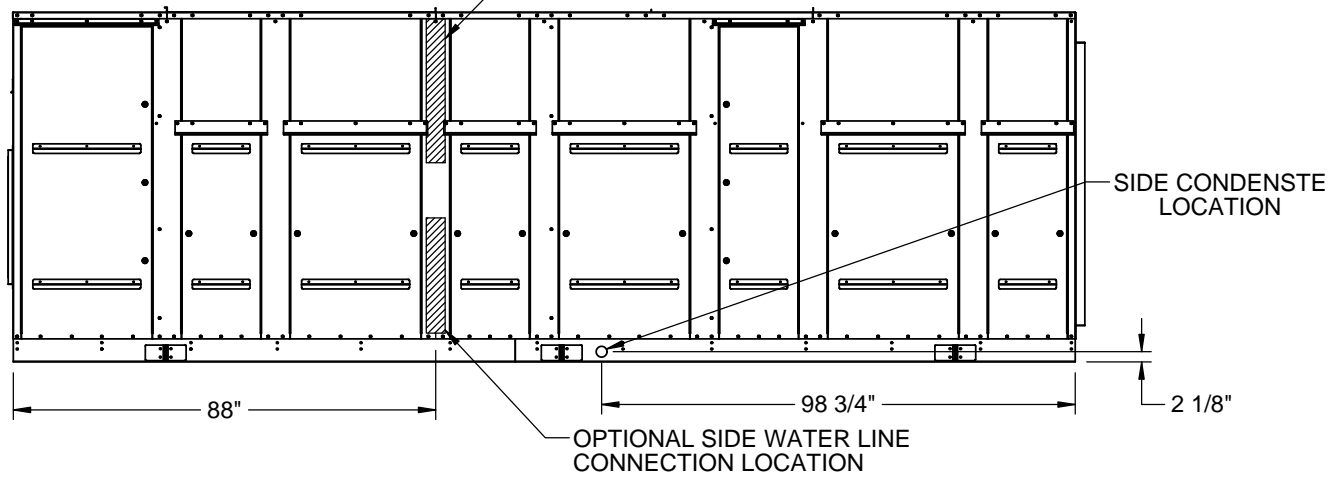
UNIT TYPE	MODEL SIZE	POOL WATER		CIRCUIT A		CIRCUIT B	
		CIRCUIT A	CIRCUIT B	DISCH DIA	LIQUID DIA	DISCH DIA	LIQUID DIA
WITHOUT ENERGY RECOVERY	35	1 1/2	2	1 1/8	3/4	1 3/8	3/4
	40	1 1/2	2	1 1/8	3/4	1 3/8	1 1/8
	45	2	2	1 3/8	7/8	1 3/8	7/8
	50	2	2	1 3/8	7/8	1 5/8	1 1/8
WITH ENERGY RECOVERY	35	1 1/2	2	1 1/8	3/4	1 3/8	3/4
	40	1 1/2	2	1 1/8	3/4	1 3/8	1 1/8
	45	2	2	1 3/8	7/8	1 3/8	7/8
	50	2	2	1 3/8	7/8	1 5/8	1 1/8



DUCT CONNECTION w/DAMPER OPTION SHOWN



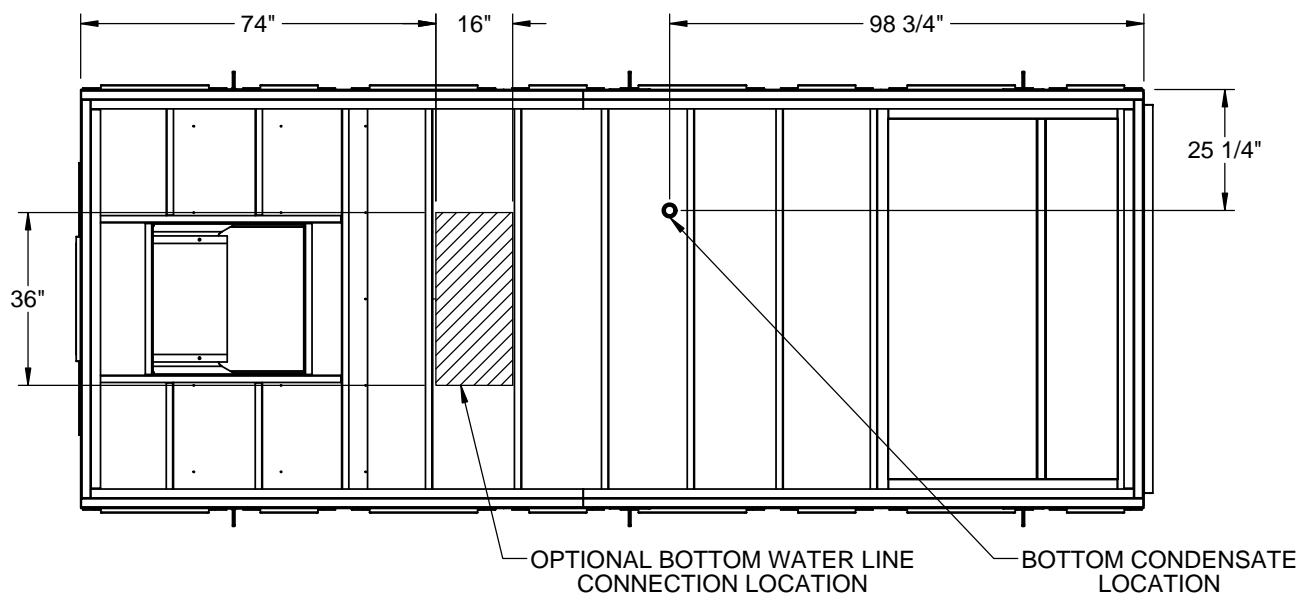
OPTIONAL SIDE REMOTE CONDENSER CONNECTION LOCATION



SIDE CONDENSATE LOCATION

OPTIONAL SIDE WATER LINE CONNECTION LOCATION

LEFT HAND CONNECTION OPTIONS SHOWN  
RIGHT HAND CONNECTION OPTIONS LOCATED WITH SAME DIMENSIONS OPPOSITE SIDE WHEN SPECIFIED

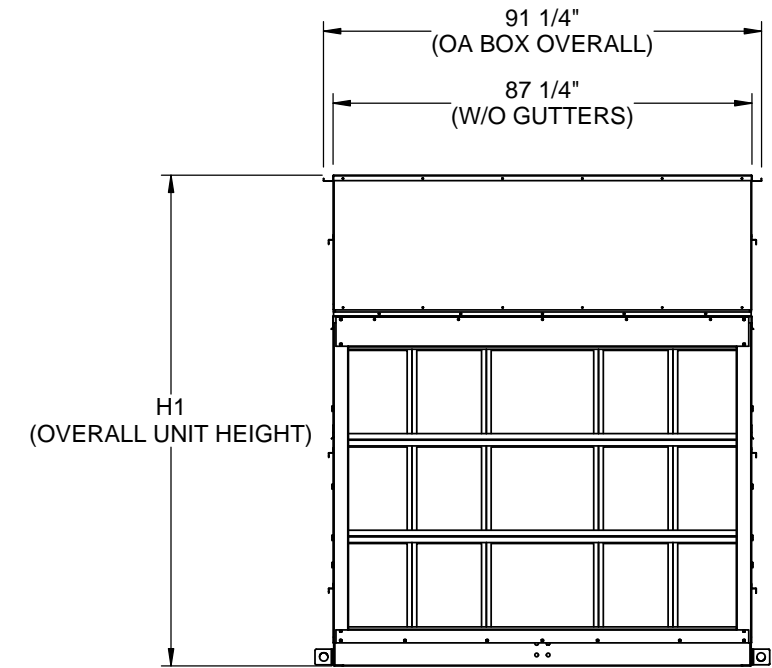
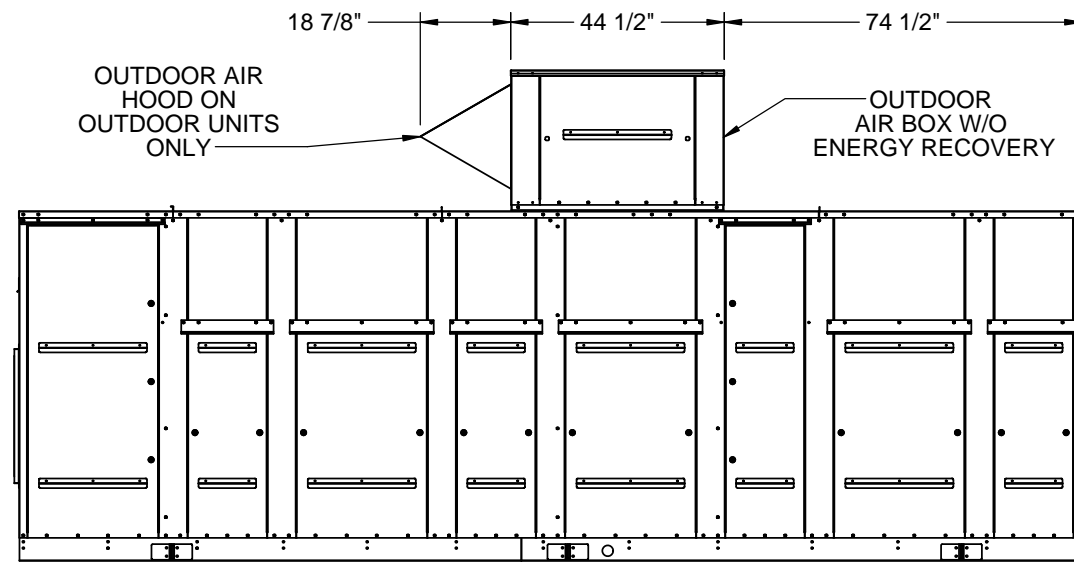
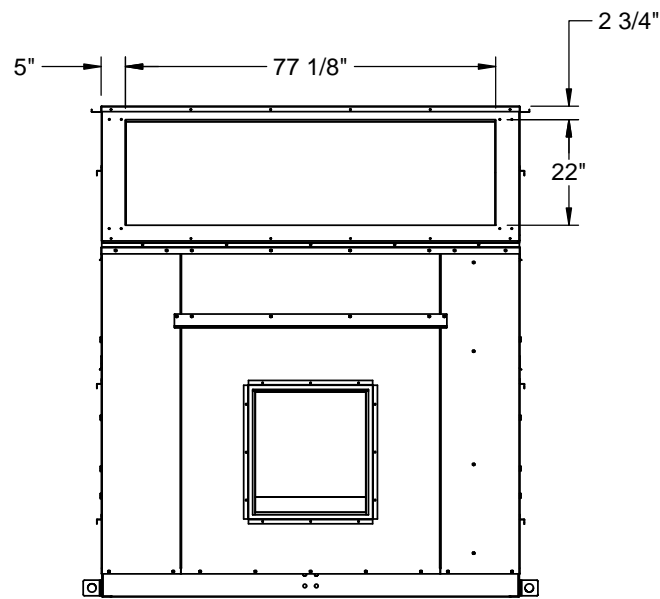
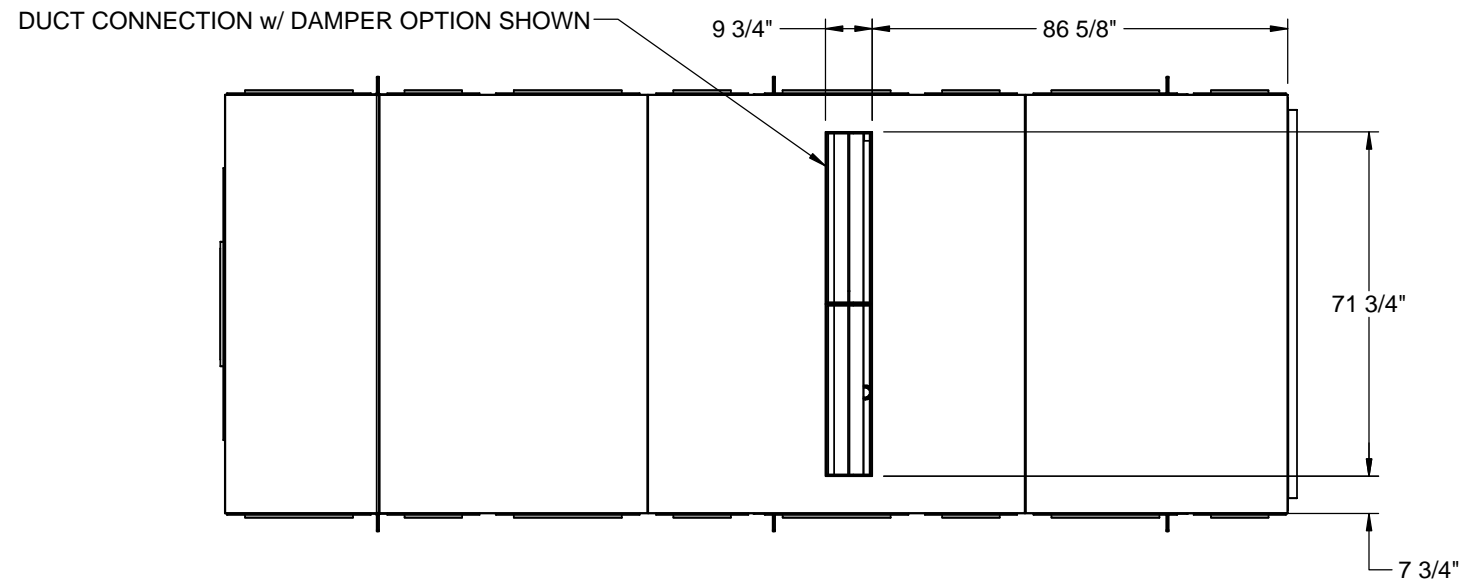


OPTIONAL BOTTOM WATER LINE CONNECTION LOCATION

BOTTOM CONDENSATE LOCATION

Desert Aire has a policy of continuous product and quality improvement. Specifications and dimensions are subject to change without notice. This drawing and information contained herein are the exclusive property of the Desert Aire Corporation. Any use detrimental to the interests of Desert Aire is prohibited.	All Dimensions in Inches All Angles 90° All outside corners 0.125" fillet Unless Otherwise Specified	Tolerance Unless Otherwise Specified X.X ±.125 X.XX ±.060 X.XXX ±.030 Angles ±1°	N120 W18485 FREISTADT RD GERMANTOWN, WI 53022 Tel: (262) 946-7400 Fax: (262) 946-7401	
				Drawn ASV
ALL DIMENSIONS ARE IN INCHES FRACTIONAL TOLERANCE ± 1/8"		Third Angle Projection	Sheet 2/8	Page Title CUSTOMER CONNECTIONS
Part weight		Scale NTS	Rev. 0	Drawing Number G900-008

UNIT TYPE	MODEL SIZE	H1		
		NO VENTILATION	DUCT CONNECTION	OA BOX
WITHOUT ENERGY RECOVERY	35	73 7/8	73 7/8	102 1/4
	40	73 7/8	73 7/8	102 1/4
	45	88 7/8	88 7/8	117 1/4
	50	88 7/8	88 7/8	117 1/4

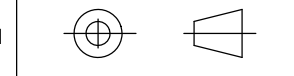
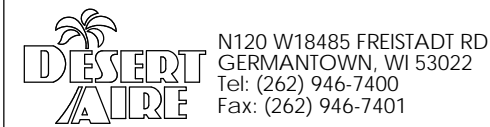


STANDARD OA FILTERS	MODEL SIZE	PART NUMBER	QTY	NOM WIDTH	NOM HEIGHT	NOM DEPTH
<b>DISPOSABLE</b>	35	872-012	2	24	24	4
		870-041	2	20		
	40	872-012	2	24	24	4
		870-041	2	20		
	45	872-012	2	24	24	4
		870-041	2	20		
	50	872-012	2	24	24	4
		870-041	2	20		

Desert Aire has a policy of continuous product and quality improvement. Specifications and dimensions are subject to change without notice. This drawing and information contained herein are the exclusive property of the Desert Aire Corporation. Any use detrimental to the interests of Desert Aire is prohibited.

All Dimensions in Inches  
All Angles 90°  
All outside corners 0.125" fillet  
Unless Otherwise Specified

Tolerance Unless Otherwise Specified  
X.X ±.125  
X.XX ±.060  
X.XXX ±.030  
Angles ±1°



ALL DIMENSIONS ARE IN INCHES  
FRACTIONAL TOLERANCE ± 1/8"

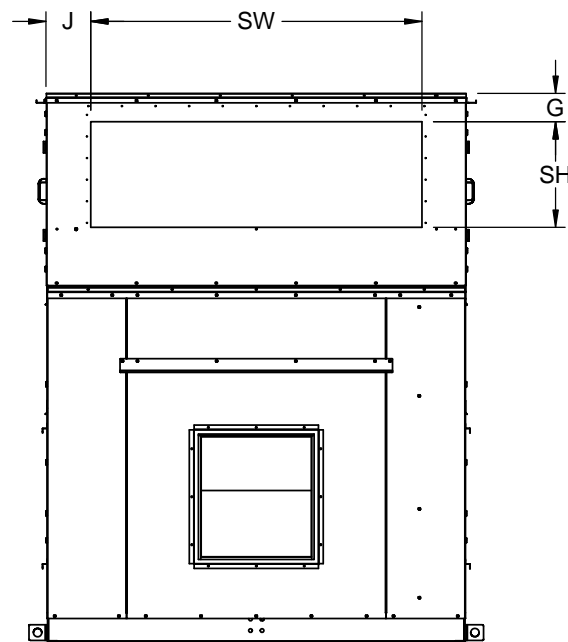
Part weight

Drawn	ASV	Date Released	12/5/2014	Description	SA 35-50 TON EXTENDED RETURN
Sheet	3/8			Page Title	W/O ENERGY RECOVERY
Scale	NTS		Rev.	0	Drawing Number
					G900-008

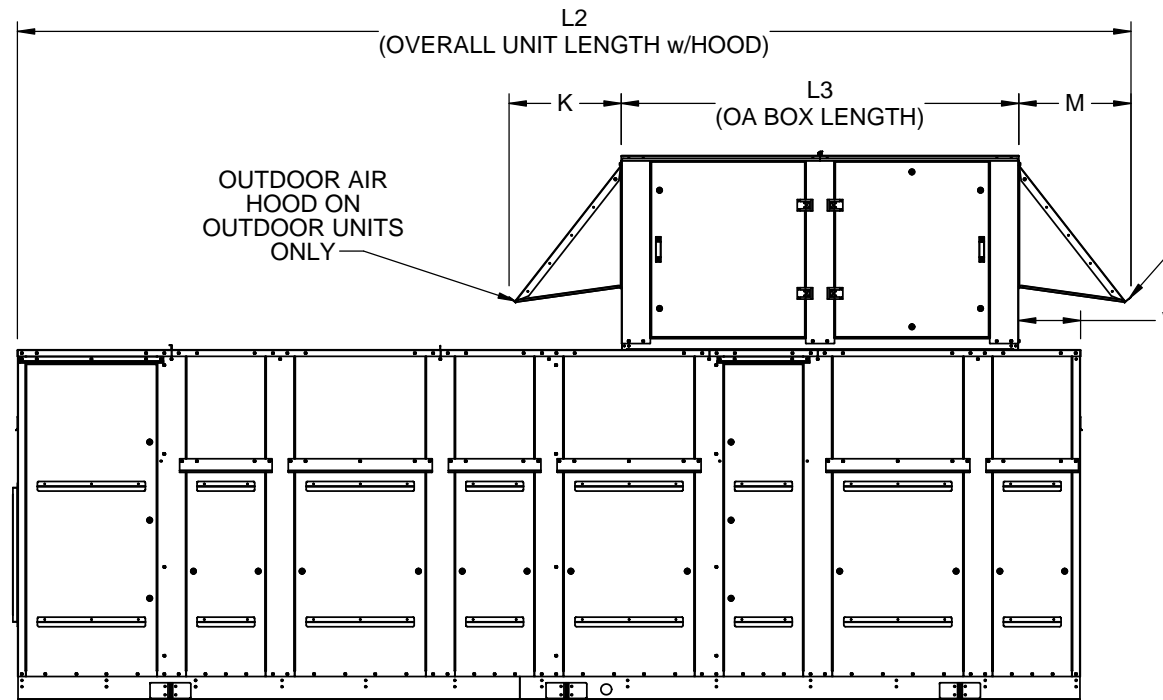


HOODS NOT PROVIDED ON INDOOR UNITS. NOTE: SOME OUTDOOR CONFIGURATIONS WILL NOT OVERHANG CABINET.

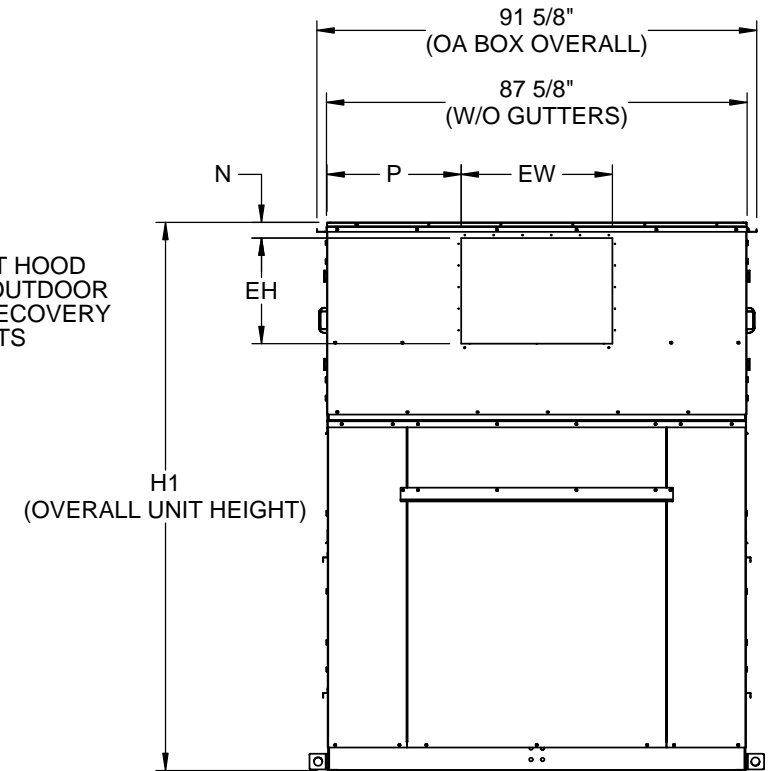
UNIT TYPE	MODEL SIZE	H1	L2 <sup>①</sup>		V	OA BOX										
			INDOOR	OUTDOOR		HOOD(S)		L3	OA INTAKE OPENING				EXHAUST DISCHARGE OPENING			
						K	M		SH	SW	G	J	EH	EW	N	P
ENERGY RECOVERY STANDARD BOX	35	114 1/4	221 3/8	221 3/8	50	23 3/8	23 3/8	82 3/4	19 1/2	66 1/2	7 1/8	7 7/8	20	30	4 1/4	26 1/8
	40	114 1/4	221 3/8	221 3/8	50	23 3/8	23 3/8	82 3/4	19 1/2	66 1/2	7 1/8	7 7/8	20	30	4 1/4	26 1/8
	45	129 1/4	221 3/8	221 3/8	50	23 3/8	23 3/8	82 3/4	19 1/2	66 1/2	7 1/8	7 7/8	20	30	4 1/4	26 1/8
	50	129 1/4	221 3/8	221 3/8	50	23 3/8	23 3/8	82 3/4	19 1/2	66 1/2	7 1/8	7 7/8	20	30	4 1/4	26 1/8
ENERGY RECOVERY EXPANDED BOX	35	114 1/4	221 3/8	245 1/8	0	13 7/8	23 3/8	157 3/8	33	84	4 3/8	15/8	20	80	4	3 5/8
	40	114 1/4	221 3/8	245 1/8	0	13 7/8	23 3/8	157 3/8	33	84	4 3/8	15/8	20	80	4	3 5/8
	45	129 1/4	221 3/8	245 1/8	0	13 7/8	23 3/8	157 3/8	33	84	4 3/8	15/8	20	80	4	3 5/8
	50	129 1/4	221 3/8	245 1/8	0	13 7/8	23 3/8	157 3/8	33	84	4 3/8	15/8	20	80	4	3 5/8



HOODS OMITTED FOR CLARITY



DRAWING IS REPRESENTATIVE REFER TO TABLES FOR DIMENSIONS OF ACTUAL UNIT SELECTION



HOODS OMITTED FOR CLARITY

STANDARD OA FILTERS	MODEL SIZE	PART NUMBER	QTY	NOM WIDTH	NOM HEIGHT	NOM DEPTH
<b>DISPOSABLE</b>	35	872-012	2	24	24	4
		870-041	2	20		
	40	872-012	2	24	24	4
		870-041	2	20		
	45	872-012	2	24	24	4
		870-041	2	20		
50	872-012	2	24	24	4	
	870-041	2	20			

EXPANDED OA FILTERS	MODEL SIZE	PART NUMBER	QTY	NOM WIDTH	NOM HEIGHT	NOM DEPTH
<b>DISPOSABLE</b>	35	870-010	2	20	20	4
		870-041	4	20	24	4
		870-012	2	24	24	4
	40	870-010	2	20	20	4
		870-041	4	20	24	4
		870-012	2	24	24	4
	45	870-010	2	20	20	4
		870-041	4	20	24	4
		870-012	2	24	24	4
	50	870-010	2	20	20	4
		870-041	4	20	24	4
		870-012	2	24	24	4

Desert Aire has a policy of continuous product and quality improvement. Specifications and dimensions are subject to change without notice. This drawing and information contained herein are the exclusive property of the Desert Aire Corporation. Any use detrimental to the interests of Desert Aire is prohibited.

ALL DIMENSIONS ARE IN INCHES FRACTIONAL TOLERANCE ± 1/8"

All Dimensions in Inches  
All Angles 90°  
All outside corners 0.125" fillet  
Unless Otherwise Specified



Third Angle Projection

Part weight

Tolerance Unless Otherwise Specified  
X.X ±.125  
X.XX ±.060  
X.XXX ±.030  
Angles ±1°

Drawn ASV Date Released 12/5/2014

Sheet 4/8

Scale NTS Rev. 0



N120 W18485 FREISTADT RD  
GERMANTOWN, WI 53022  
Tel: (262) 946-7400  
Fax: (262) 946-7401

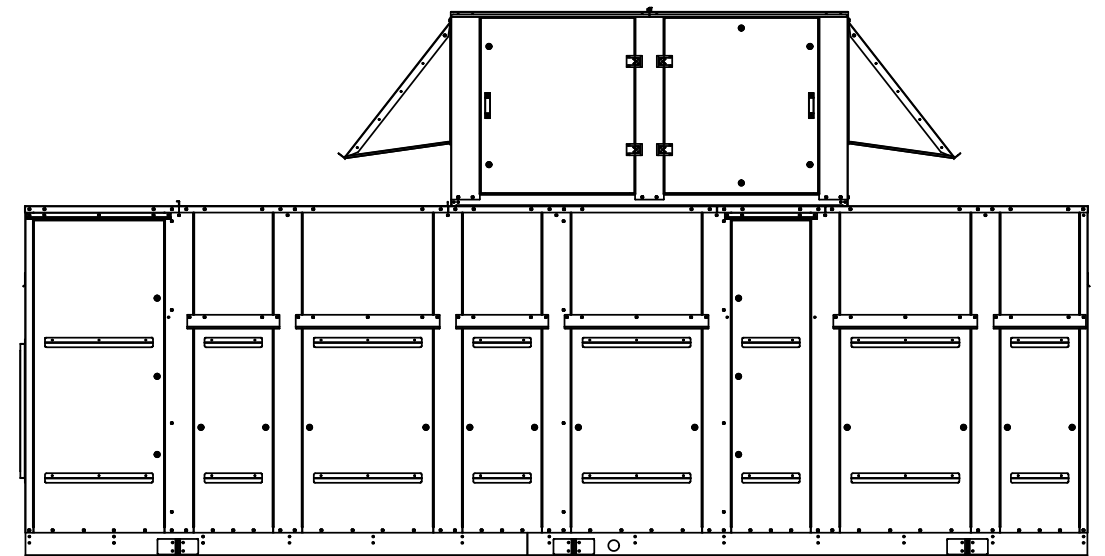
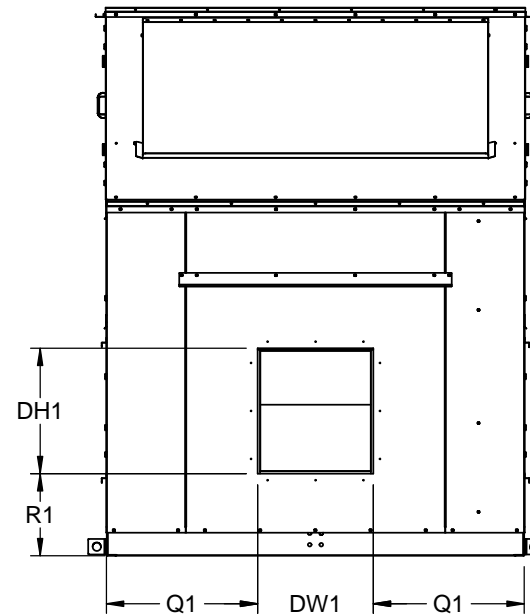
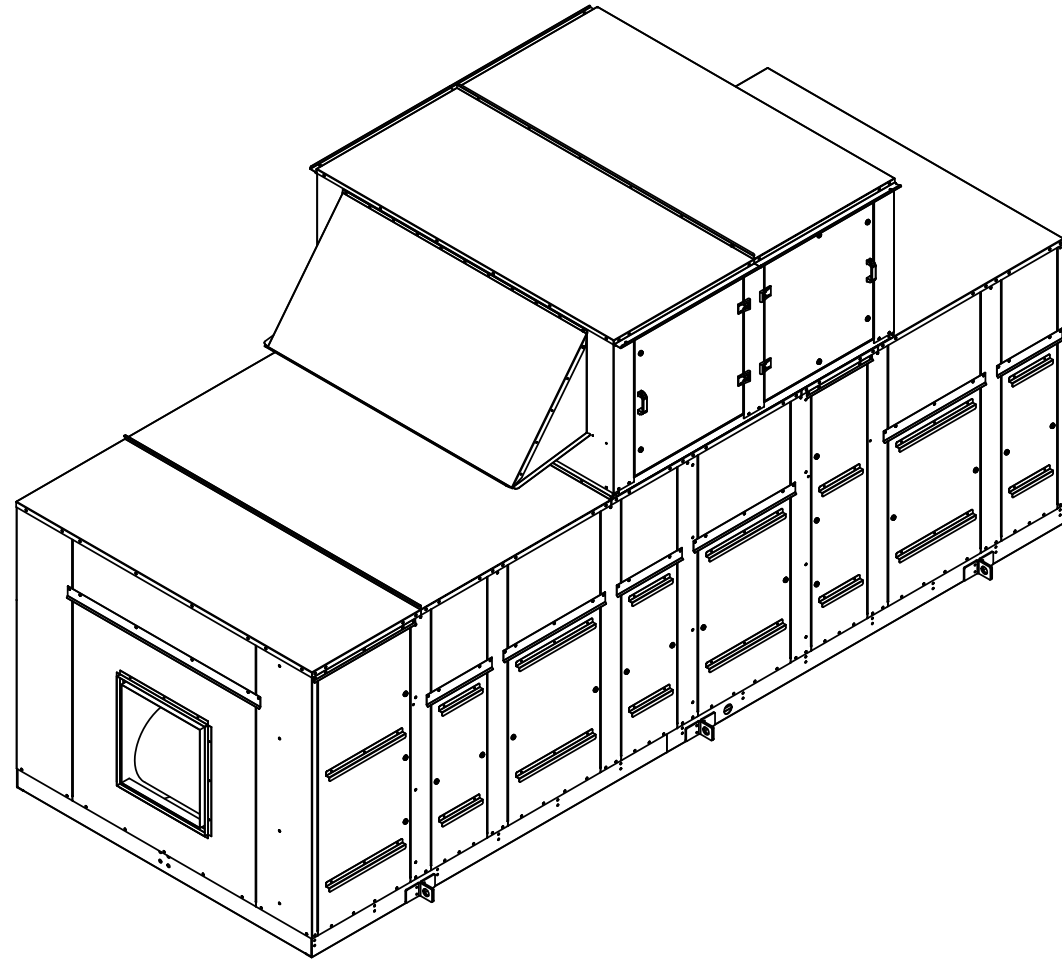
Description SA 35-50 TON EXTENDED RETURN

Page Title W/ ENERGY RECOVERY

Drawing Number G900-008

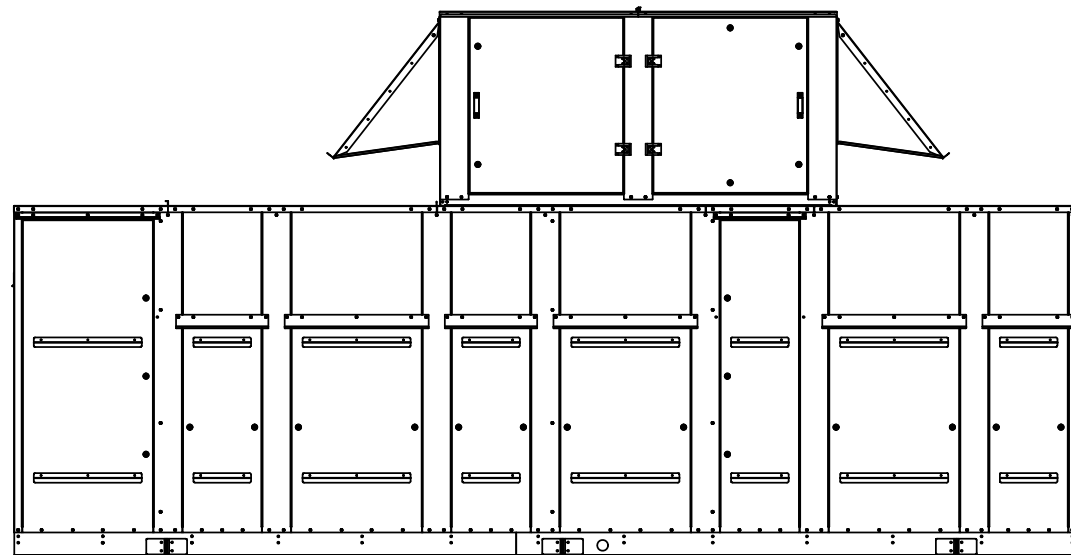
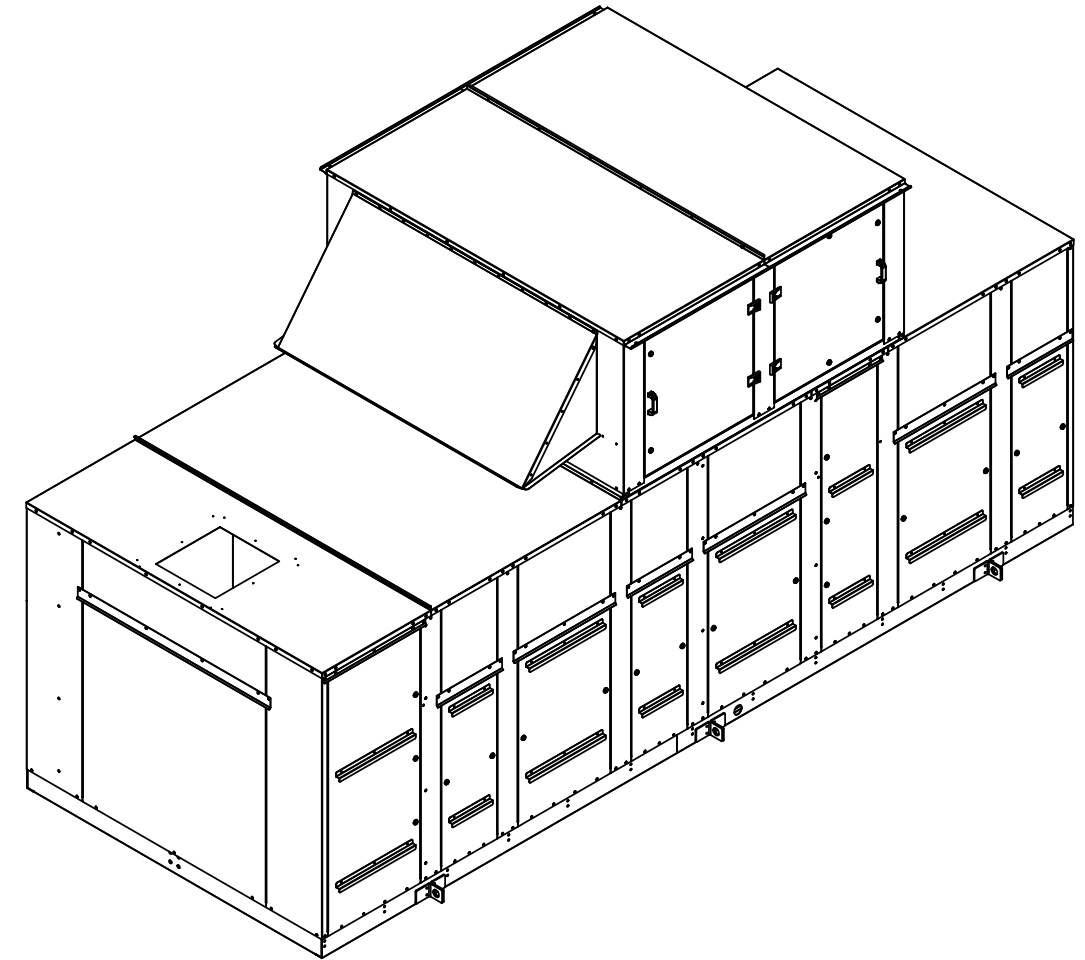
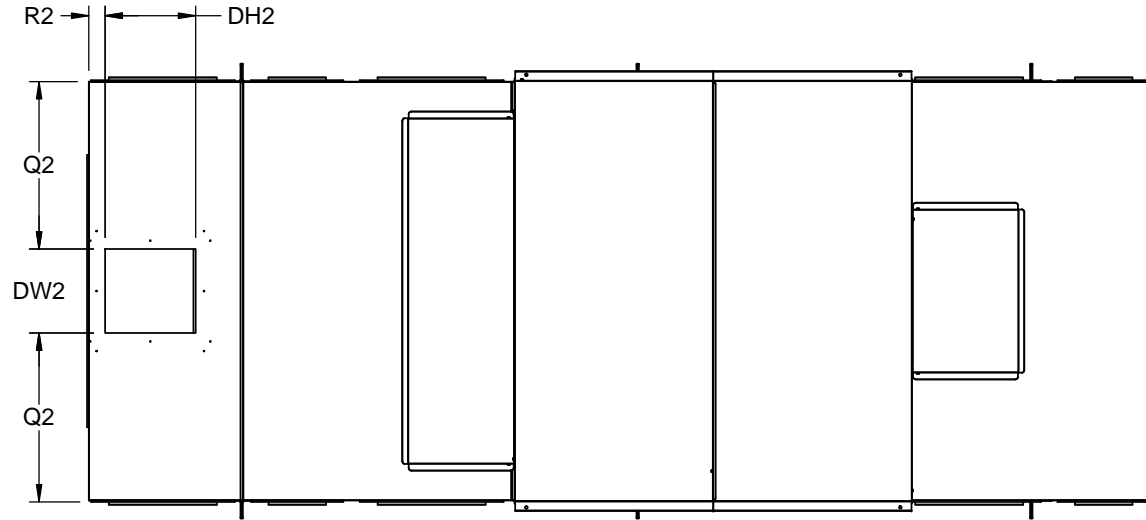
G900-008

35 TON					40 TON					45 TON					50 TON				
BLOWER	DH1	DW1	R1	Q1	BLOWER	DH1	DW1	R1	Q1	BLOWER	DH1	DW1	R1	Q1	BLOWER	DH1	DW1	R1	Q1
ATLI 18-18	18 7/8	22 1/8	17 3/8	32 5/8	ATLI 18-18	18 7/8	22 1/8	17 3/8	32 5/8	ATLI 18-18	18 7/8	22 1/8	17 3/8	32 5/8	ATLI 22-22	28 1/4	28 1/4	18 7/8	29 5/8
ATLI 20-15	25 1/4	20 1/4	17 3/8	33 5/8	ATLI 20-15	25 1/4	20 1/4	17 3/8	33 5/8	ATLI 20-15	25 1/4	20 1/4	17 3/8	33 5/8	ATLI 25-25	31 3/4	31 3/4	20 3/8	27 7/8
ATZAF 22-22	28 1/4	28 1/4	18 7/8	29 5/8	ATZAF 22-22	28 1/4	28 1/4	18 7/8	29 5/8	ATZAF 25-25	31 3/4	31 3/4	20 3/8	27 7/8	ATZAF 25-25	31 3/4	31 3/4	20 3/8	27 7/8
ATZAF 25-25	31 3/4	31 3/4	20 3/8	27 7/8	ATZAF 25-25	31 3/4	31 3/4	20 3/8	27 7/8	ATZAF 28-28	35 1/2	35 1/2	22 3/8	26	ATZAF 28-28	35 1/2	35 1/2	22 3/8	26
ATZAF 28-28	35 1/2	35 1/2	22 3/8	26	ATZAF 28-28	35 1/2	35 1/2	22 3/8	26										



<p>Desert Aire has a policy of continuous product and quality improvement. Specifications and dimensions are subject to change without notice. This drawing and information contained herein are the exclusive property of the Desert Aire Corporation. Any use detrimental to the interests of Desert Aire is prohibited.</p>	<p>All Dimensions in Inches All Angles 90° All outside corners 0.125" fillet Unless Otherwise Specified</p>	<p>Tolerance Unless Otherwise Specified X.X ±.125 X.XX ±.060 X.XXX ±.030 Angles ±1°</p>	<p>N120 W18485 FREISTADT RD GERMANTOWN, WI 53022 Tel: (262) 946-7400 Fax: (262) 946-7401</p>
<p>ALL DIMENSIONS ARE IN INCHES FRACTIONAL TOLERANCE ± 1/8"</p>	<p>Third Angle Projection</p>	<p>Sheet 5/8 Page Title END SUPPLY</p>	<p>Scale NTS Rev. 0 Drawing Number G900-008</p>

35 TON						40 TON						45 TON						50 TON					
BLOWER	DH2	DW2	R2		Q2	BLOWER	DH2	DW2	R2		Q2	BLOWER	DH2	DW2	R2		Q2	BLOWER	DH2	DW2	R2		Q2
			OVER	AWAY					OVER	AWAY					OVER	AWAY					OVER	AWAY	
ATLI 18-18	18 7/8	22 1/8	2 1/8	11 7/8	32 5/8	ATLI 18-18	18 7/8	22 1/8	2 1/8	11 7/8	32 5/8	ATLI 18-18	18 7/8	22 1/8	2 1/8	11 7/8	32 5/8	ATLI 22-22	28 1/4	28 1/4	1 3/8	13 3/8	29 5/8
ATLI 20-15	25 1/4	20 1/4	1 3/8	11 7/8	33 5/8	ATLI 20-15	25 1/4	20 1/4	1 3/8	11 7/8	33 5/8	ATLI 20-15	25 1/4	20 1/4	1 3/8	11 7/8	33 5/8	ATLI 25-25	31 3/4	31 3/4	1 3/8	14 7/8	27 7/8
ATZAF 22-22	28 1/4	28 1/4	1 3/8	13 3/8	29 5/8	ATZAF 22-22	28 1/4	28 1/4	1 3/8	13 3/8	29 5/8	ATZAF 25-25	31 3/4	31 3/4	1 3/8	14 7/8	27 7/8	ATZAF 25-25	31 3/4	31 3/4	1 3/8	14 7/8	27 7/8
ATZAF 25-25	31 3/4	31 3/4	1 3/8	14 7/8	27 7/8	ATZAF 25-25	31 3/4	31 3/4	1 3/8	14 7/8	27 7/8	ATZAF 28-28	35 1/2	35 1/2	1 3/8	16 7/8	26	ATZAF 28-28	35 1/2	35 1/2	1 3/8	16 7/8	26
ATZAF 28-28	35 1/2	35 1/2	1 3/8	16 7/8	26	ATZAF 28-28	35 1/2	35 1/2	1 3/8	16 7/8	26												



Desert Aire has a policy of continuous product and quality improvement. Specifications and dimensions are subject to change without notice. This drawing and information contained herein are the exclusive property of the Desert Aire Corporation. Any use detrimental to the interests of Desert Aire is prohibited.

ALL DIMENSIONS ARE IN INCHES  
FRACTIONAL TOLERANCE ± 1/8"

All Dimensions in Inches  
All Angles 90°  
All outside corners 0.125" fillet  
Unless Otherwise Specified



Third Angle Projection

Part weight

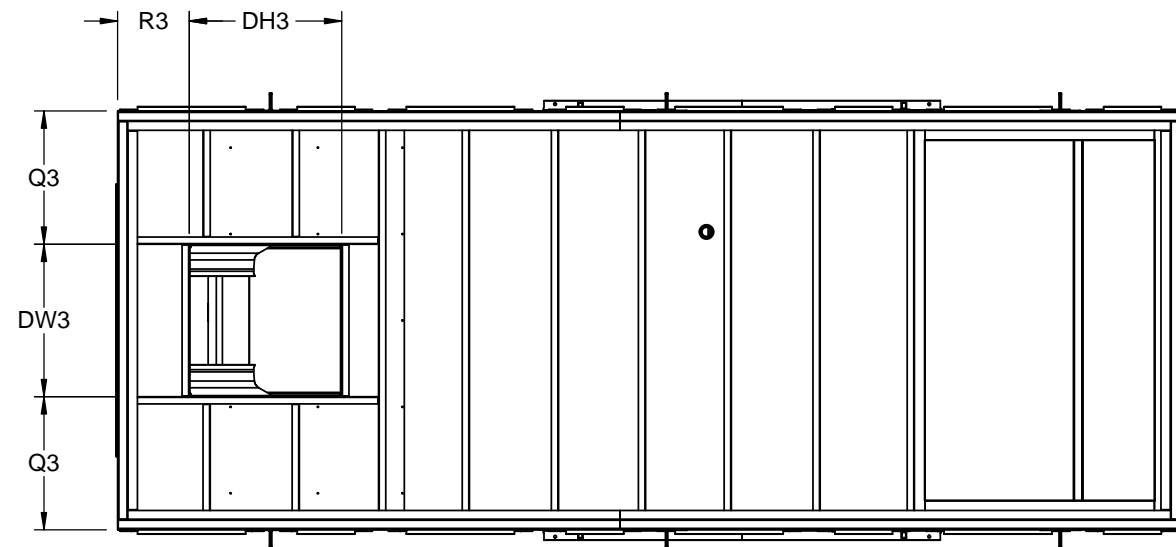
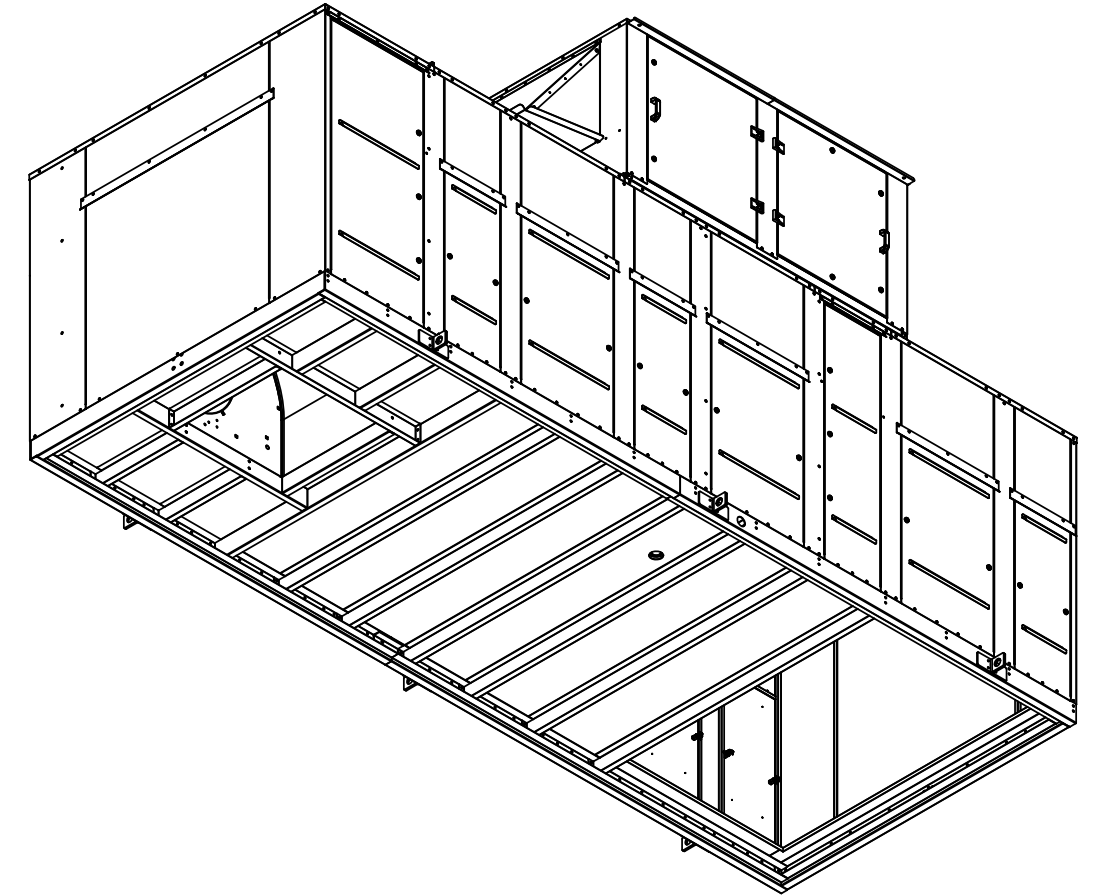
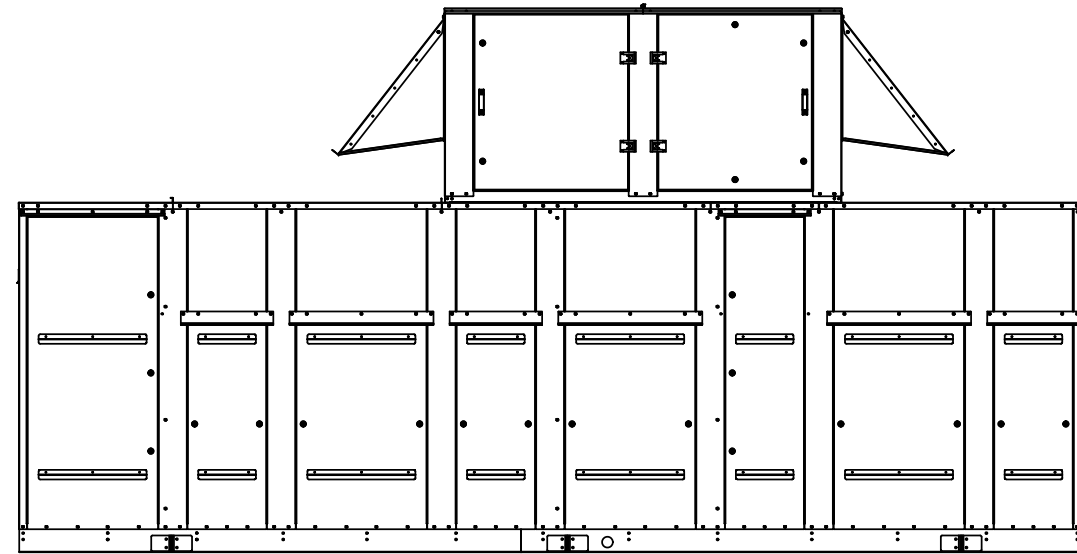
Tolerance Unless Otherwise Specified  
X.X ±.125  
X.XX ±.060  
X.XXX ±.030  
Angles ±1°




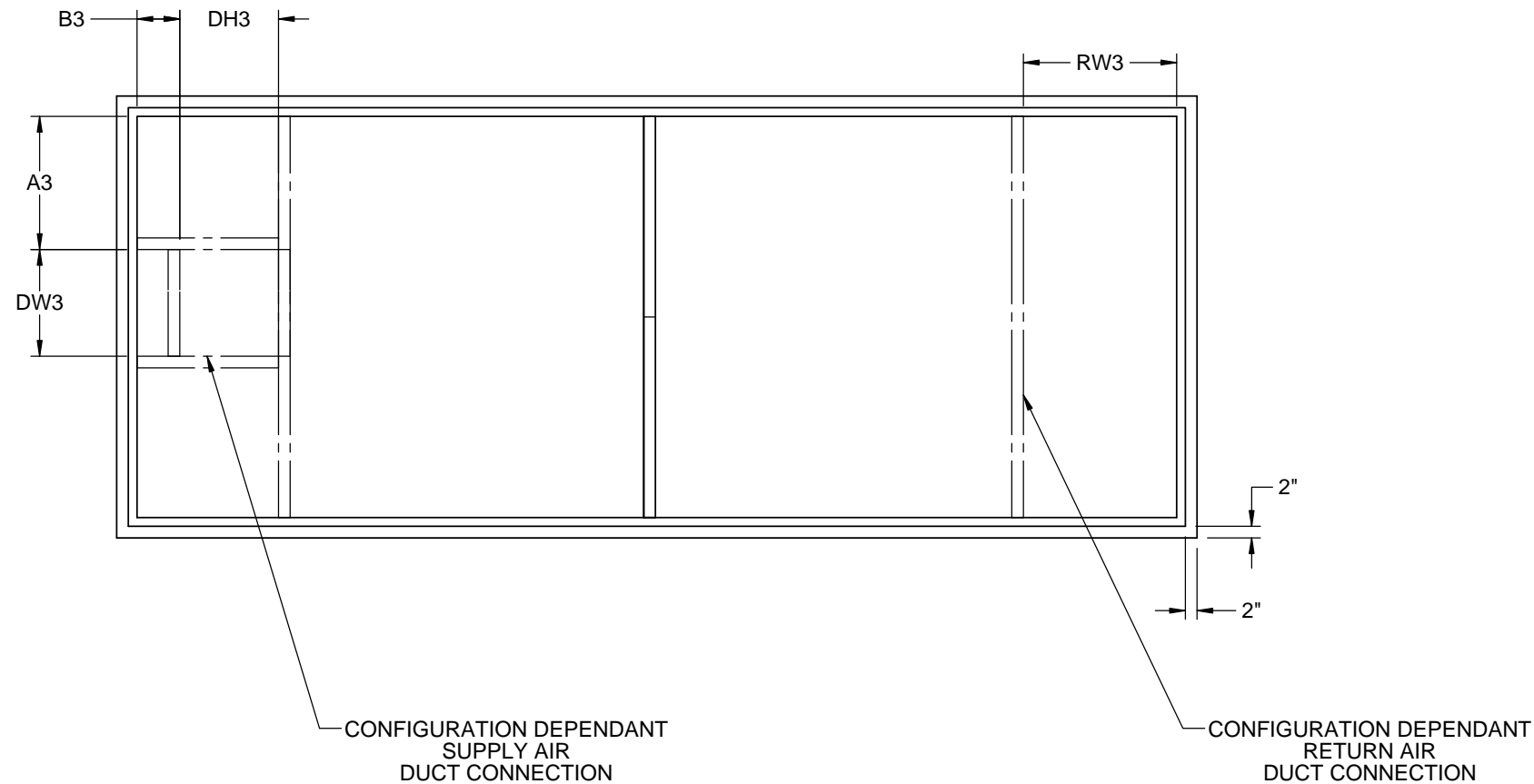
N120 W18485 FREISTADT RD  
GERMANTOWN, WI 53022  
Tel: (262) 946-7400  
Fax: (262) 946-7401

Drawn <b>ASV</b>	Date Released <b>12/5/2014</b>	Description <b>SA 35-50 TON EXTENDED RETURN</b>
Sheet <b>6/8</b>	Page Title <b>TOP SUPPLY</b>	
Scale <b>NTS</b>	Rev. <b>0</b>	Drawing Number <b>G900-008</b>

35 TON					40 TON					45 TON					50 TON				
BLOWER	DH3	DW3	R3	Q3	BLOWER	DH3	DW3	R3	Q3	BLOWER	DH3	DW3	R3	Q3	BLOWER	DH3	DW3	R3	Q3
ATLI 18-18	18 7/8	22 1/8	11 7/8	32 5/8	ATLI 18-18	18 7/8	22 1/8	11 7/8	32 5/8	ATLI 18-18	18 7/8	22 1/8	11 7/8	32 5/8	ATLI 22-22	28 1/4	28 1/4	13 3/8	29 5/8
ATLI 20-15	25 1/4	20 1/4	11 7/8	33 5/8	ATLI 20-15	25 1/4	20 1/4	11 7/8	33 5/8	ATLI 20-15	25 1/4	20 1/4	11 7/8	33 5/8	ATLI 25-25	31 3/4	31 3/4	14 7/8	27 7/8
ATZAF 22-22	28 1/4	28 1/4	13 3/8	29 5/8	ATZAF 22-22	28 1/4	28 1/4	13 3/8	29 5/8	ATZAF 25-25	31 3/4	31 3/4	14 7/8	27 7/8	ATZAF 25-25	31 3/4	31 3/4	14 7/8	27 7/8
ATZAF 25-25	31 3/4	31 3/4	14 7/8	27 7/8	ATZAF 25-25	31 3/4	31 3/4	14 7/8	27 7/8	ATZAF 28-28	35 1/2	35 1/2	16 7/8	26	ATZAF 28-28	35 1/2	35 1/2	16 7/8	26
ATZAF 28-28	35 1/2	35 1/2	16 7/8	26	ATZAF 28-28	35 1/2	35 1/2	16 7/8	26										

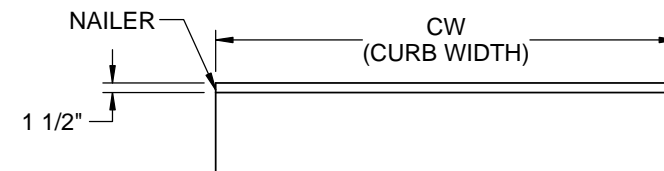
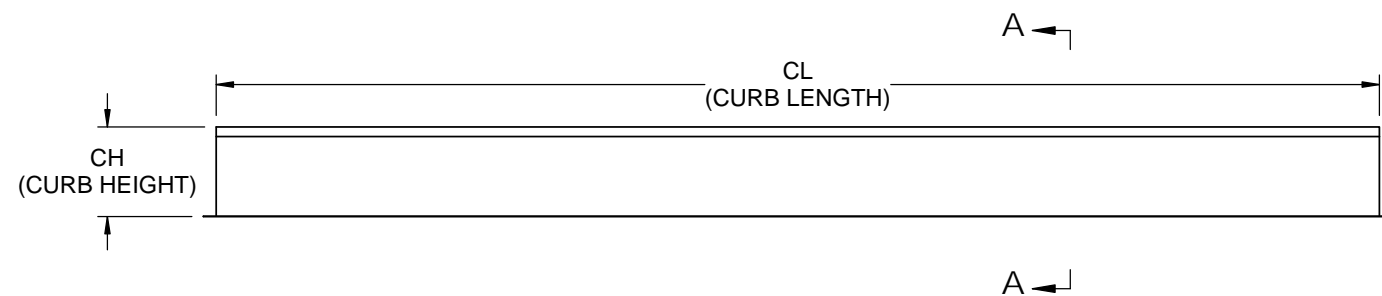


Desert Aire has a policy of continuous product and quality improvement. Specifications and dimensions are subject to change without notice. This drawing and information contained herein are the exclusive property of the Desert Aire Corporation. Any use detrimental to the interests of Desert Aire is prohibited.	All Dimensions in Inches All Angles 90° All outside corners 0.125" fillet Unless Otherwise Specified	Tolerance Unless Otherwise Specified X.X ±.125 X.XX ±.060 X.XXX ±.030 Angles ±1°	 N120 W18485 FREISTADT RD GERMANTOWN, WI 53022 Tel: (262) 946-7400 Fax: (262) 946-7401
ALL DIMENSIONS ARE IN INCHES FRACTIONAL TOLERANCE ± 1/8"	Third Angle Projection	Sheet: 7/8 Scale: NTS	Page Title: DOWN SUPPLY Rev. Number: 0 Drawing Number: G900-008



CURB PN	CURB		DOWN SUPPLY AND / OR DOWN RETURN				
	LENGTH	WIDTH	RW3	DW3	A3	DH3	B3
CB-MNDC-XX	216 1/4	82	51 3/8	22 1/8	28 1/2	18 7/8	7 7/8
CB-MNDD-XX	216 1/4	82	51 3/8	20 1/4	29 3/8	25 1/4	7 7/8
CB-MNDE-XX	216 1/4	82	51 3/8	28 1/4	25 1/2	28 1/4	9 3/8
CB-MNDF-XX	216 1/4	82	51 3/8	31 3/4	23 5/8	31 3/4	10 7/8
CB-MNDJ-XX	216 1/4	82	51 3/8	28 1/4	25 1/2	28 1/4	9 3/8
CB-MNDK-XX	216 1/4	82	51 3/8	31 3/4	23 5/8	31 3/4	10 7/8
CB-MNDM-XX	216 1/4	82	51 3/8	35 1/2	21 3/4	35 1/2	12 7/8
CB-MNDZ-XX	216 1/4	82	51 3/8	NO SUPPLY/RETURN DUCT CONNECTION			

CURB HEIGHT IN INCHES DESIGNATED BY XX IN THE CURB PART NUMBER



SECTION A-A

DUCT CONNECTIONS FOR DOWN SUPPLY AND/OR DOWN RETURN

NOTES:  
REFER TO SHEET 1 FOR GENERAL NOTES

CURBS 115" IN LENGTH AND LESS ARE SHIPPED AS COMPLETE CURBS, GREATER THAN 115" ARE SHIPPED KNOCKED DOWN.

NUMBER AND LOCATION OF CROSS SUPPORT(S) IS DEPENDANT UPON THE GAUGE OF MATERIAL USED TO CONSTRUCT THE CURB, DUCT SUPPORT CONFIGURATION, LENGTH OF CURB, AND WIDTH OF CURB. INSTALLATION INSTRUCTIONS INCLUDED WITH CURB SHIPMENT INDICATE THE REQUIRED POSITION FOR FIELD ASSEMBLED CURBS.

Desert Aire has a policy of continuous product and quality improvement. Specifications and dimensions are subject to change without notice. This drawing and information contained herein are the exclusive property of the Desert Aire Corporation. Any use detrimental to the interests of Desert Aire is prohibited.	All Dimensions in Inches All Angles 90° All outside corners 0.125" fillet Unless Otherwise Specified	Tolerance Unless Otherwise Specified X.X ±.125 X.XX ±.060 X.XXX ±.030 Angles ±1°	N120 W18485 FREISTADT RD GERMANTOWN, WI 53022 Tel: (262) 946-7400 Fax: (262) 946-7401
ALL DIMENSIONS ARE IN INCHES TOLERANCE ± 1/8"		Third Angle Projection	
Part weight	Scale: NTS	Rev: 0	Drawing Number: G900-008