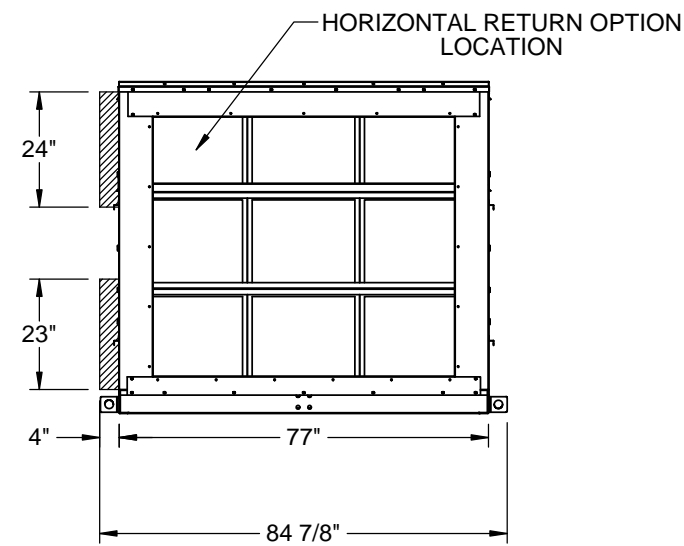
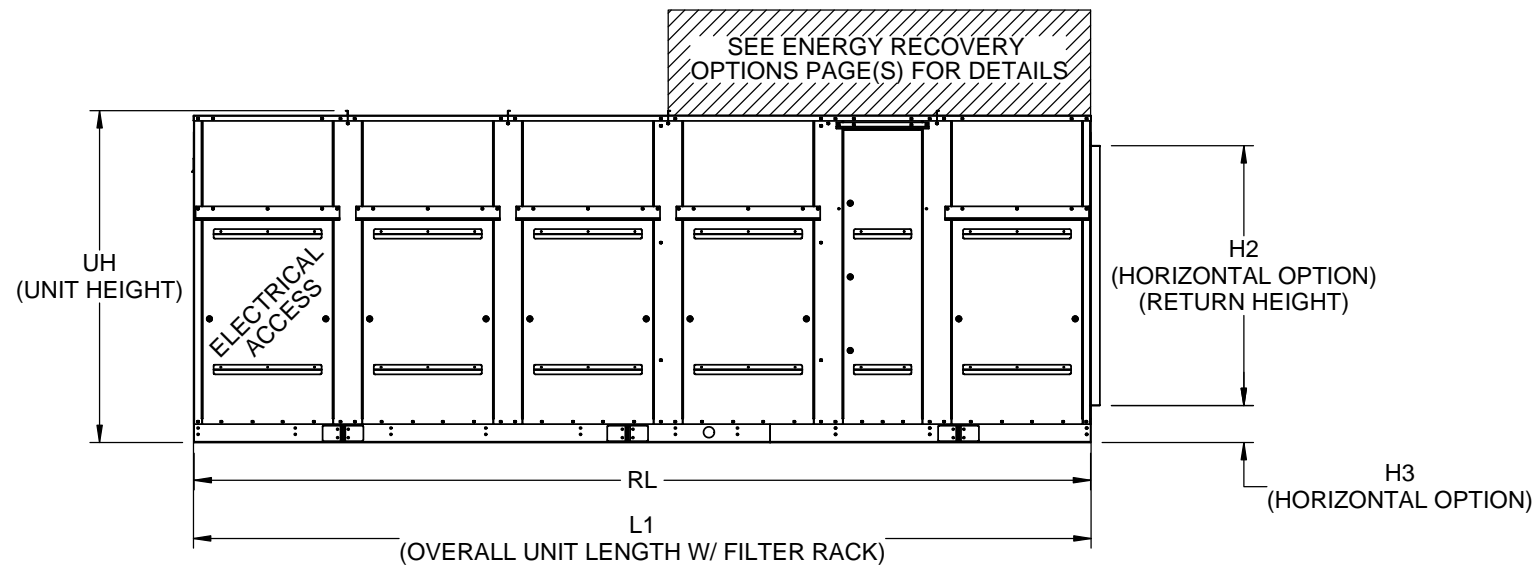
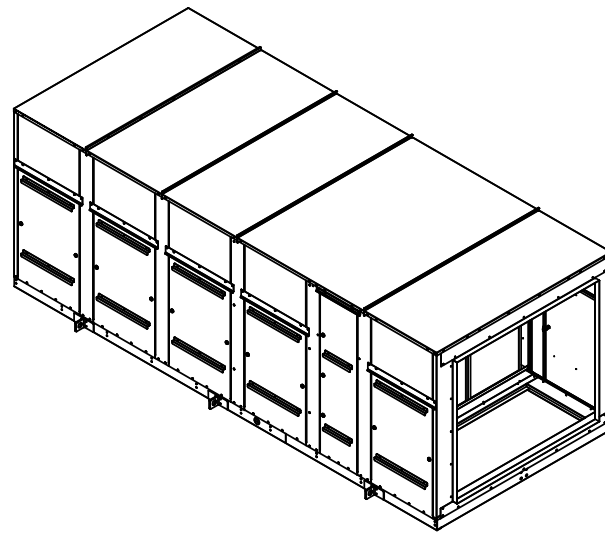
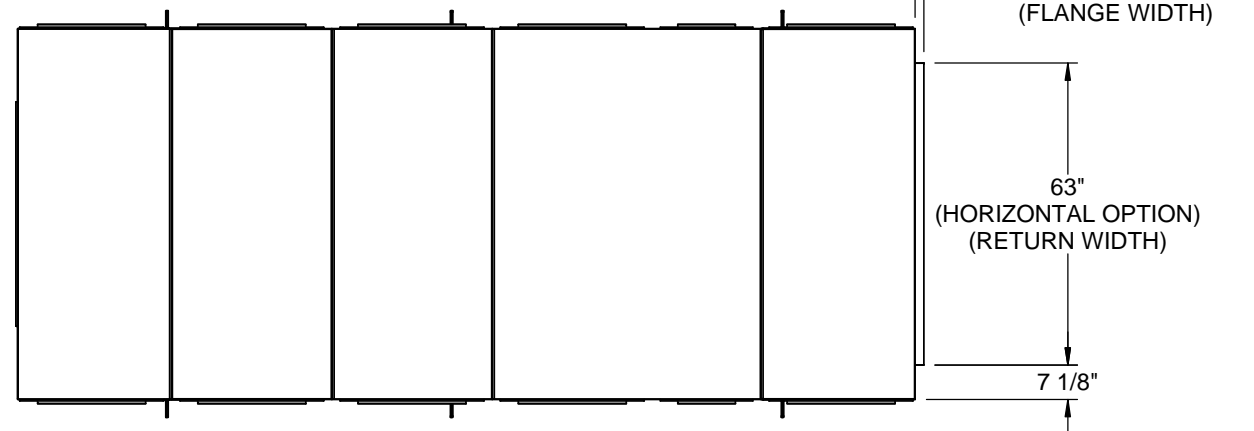
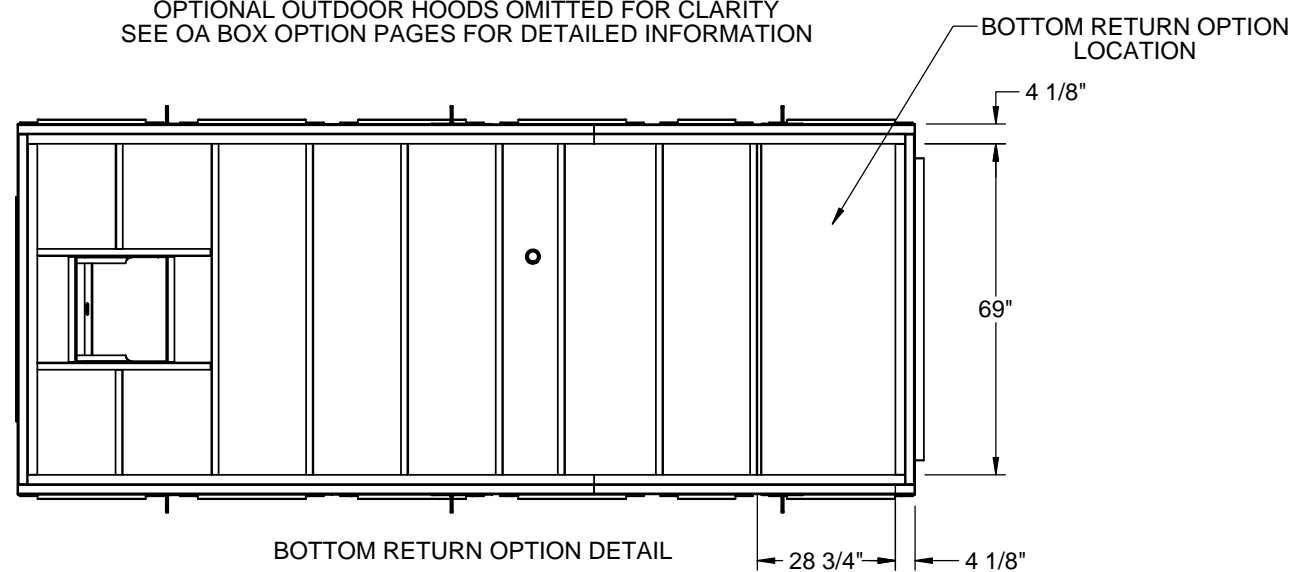


G900-007

NON-VENTILATION UNIT SHOWN



OPTIONAL OUTDOOR HOODS OMITTED FOR CLARITY
SEE OA BOX OPTION PAGES FOR DETAILED INFORMATION



BOTTOM RETURN OPTION DETAIL

GENERAL NOTES FOR APPLICABLE SHEETS:

- VIEWES ARE FOR PICTORAL PURPOSES.
- REFER TO SUBMITTAL FOR CUSTOMER CONNECTION LOCATIONS.
- DIMENSIONS ARE TO ACCESS SIDE OF UNIT.
- LH ACCESS SHOWN FOR DISPLAY PURPOSES. ACCESS DOOR CONFIGURATION MAY CHANGE DEPENDING ON UNIT SIZE OR TYPE
- REFER TO SHEET 4,5,6 FOR INTAKE AND DISCHARGE CONNECTION DIMENSIONS.

UNIT TYPE	MODEL SIZE	RL	L1	UH	H2	H3
WITHOUT ENERGY RECOVERY	18	186 3/4	186 7/8	49 1/8	40 3/8	5 1/2
	20	186 3/4	186 7/8	49 1/8	40 3/8	5 1/2
	24	186 3/4	186 7/8	59 1/8	48 3/8	5 1/2
WITH ENERGY RECOVERY	18	186 3/4	186 7/8	49 1/8	40 3/8	6 1/2
	20	186 3/4	186 7/8	49 1/8	40 3/8	6 1/2
	24	186 3/4	186 7/8	59 1/8	48 3/8	6 1/2
	30	186 3/4	186 7/8	69 1/8	60 1/2	6 1/2

FILTER OPTION	MODEL SIZE	PART NUMBER	QTY	NOM WIDTH	NOM HEIGHT	NOM DEPTH
DISPOSABLE	18	870-041	3	20	24	4
		870-056	3	18		
	20	870-041	3	20	24	4
		870-056	3	18		
	24	870-012	6	24	24	4
		870-041	6	20		
30	870-041	6	20	24	4	
	870-056	3	18			
DEACTIVATOR	18	872-006	3	20	24	2
		870-043	3			
		872-009	3	18		
		870-057	3			
	20	872-006	3	20	24	2
		870-043	3			
		872-009	3	18		
		870-057	3			
	24	872-010	6	24	24	2
		870-009	6			
	30	872-006	6	20	24	2
		870-043	6			
872-009		3	18			
870-057		3				

Desert Aire has a policy of continuous product and quality improvement. Specifications and dimensions are subject to change without notice. This drawing and information contained herein are the exclusive property of the Desert Aire Corporation. Any use detrimental to the interests of Desert Aire is prohibited.

All Dimensions in Inches
All Angles 90°
All outside corners 0.125" fillet
Unless Otherwise Specified

Tolerance Unless Otherwise Specified
X.X ±.125
X.XX ±.060
X.XXX ±.030
Angles ±1°

N120 W18485 FREISTADT RD
GERMANTOWN, WI 53022
Tel: (262) 946-7400
Fax: (262) 946-7401

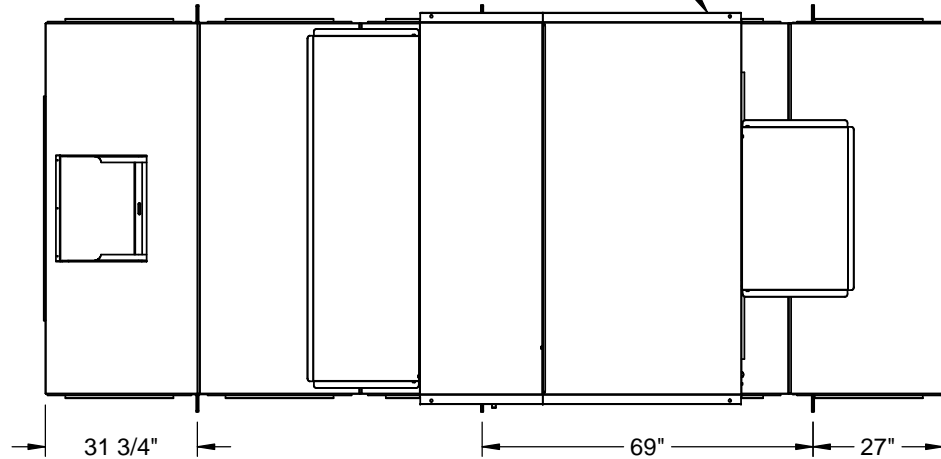
ALL DIMENSIONS ARE IN INCHES
FRACTIONAL TOLERANCE ± 1/8"

Third Angle Projection

Drawn	ASV	Date Released	12/5/2014	Description	SA 18-30 TON EXTENDED RETURN
Sheet	1/8		Page Title		
Scale	NTS		Rev.	0	
Drawing Number			G900-007		

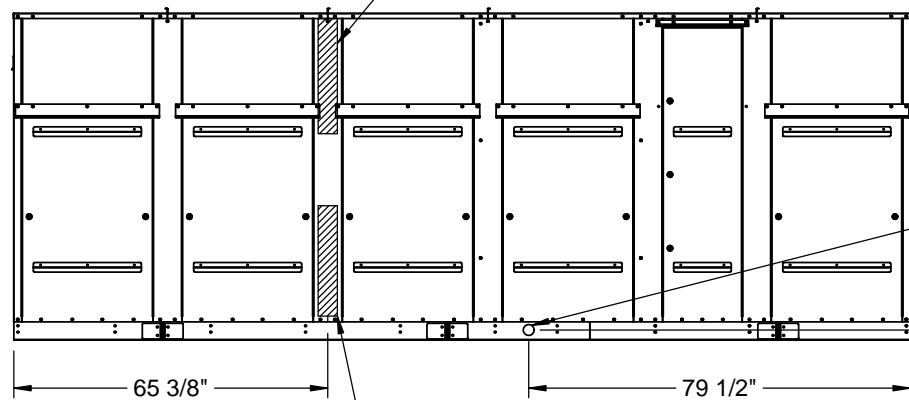
G900-007

ENERGY RECOVERY OPTION SHOWN



SEE TABLE FOR LIFTING LUG QUANTITY AND LOCATION

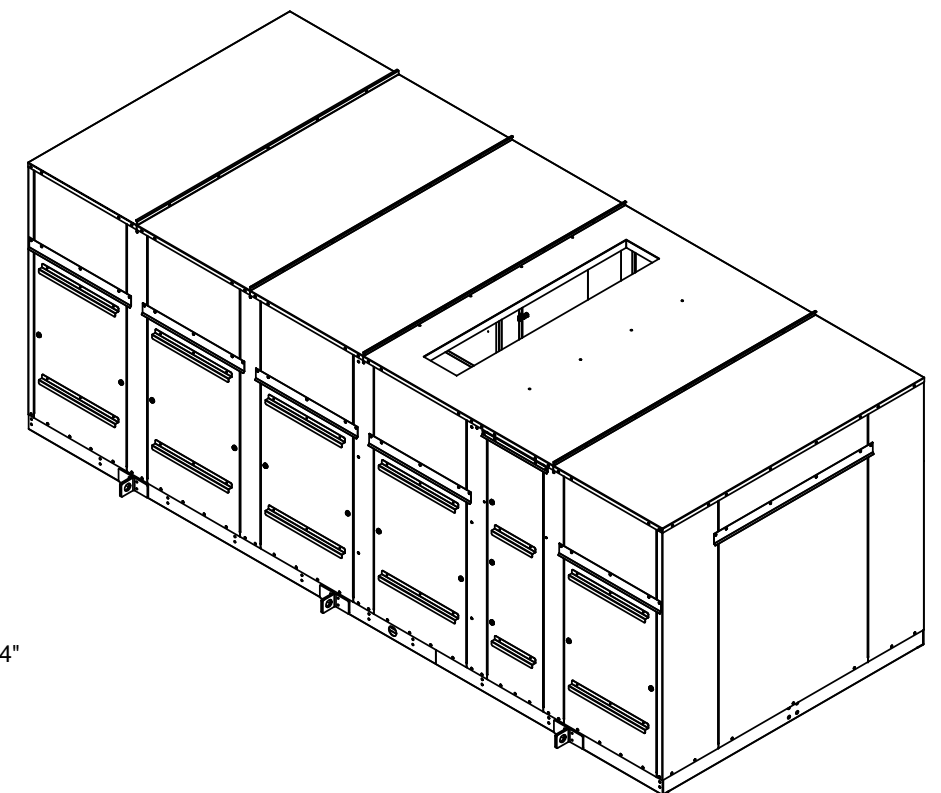
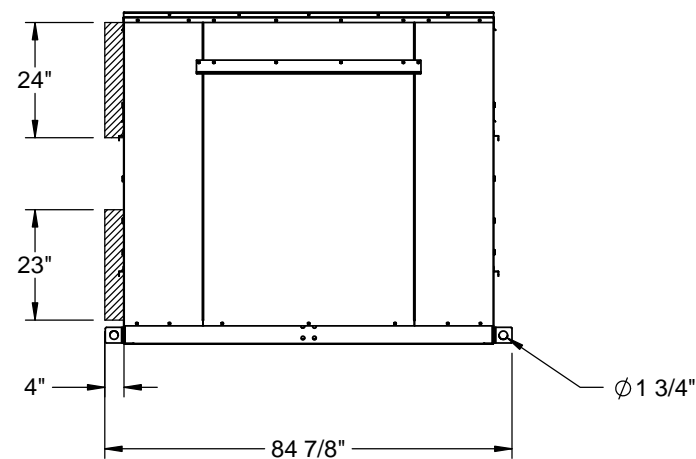
OPTIONAL SIDE REMOTE CONDENSER CONNECTION LOCATION



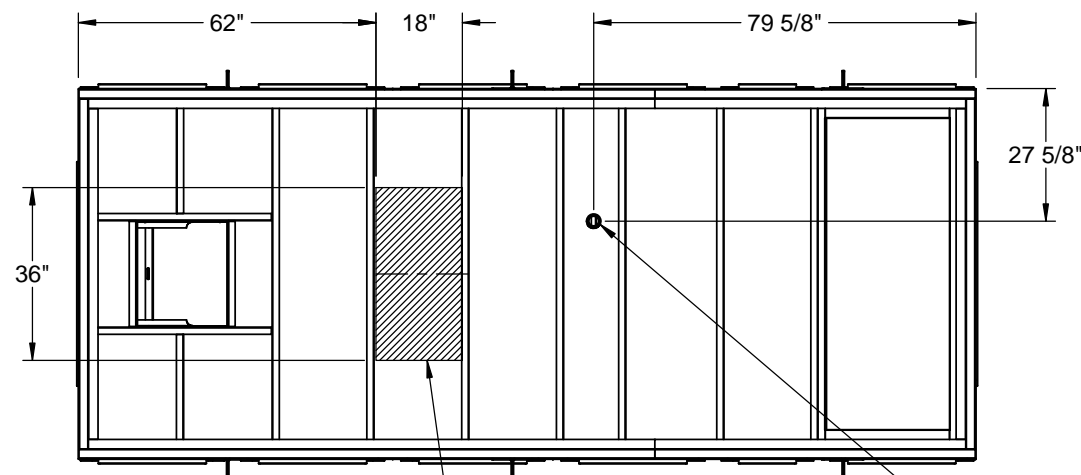
SIDE CONDENSATE LOCATION

OPTIONAL SIDE WATER LINE CONNECTION LOCATION

DUCT CONNECTION w/DAMPER OPTION SHOWN



UNIT TYPE	MODEL SIZE	POOL WATER		CIRCUIT A		CIRCUIT B	
		CIRCUIT A	CIRCUIT B	DISCH DIA	LIQUID DIA	DISCH DIA	LIQUID DIA
WITHOUT ENERGY RECOVERY	18	1 1/4	1 1/4	1 1/8	5/8	1 1/8	5/8
	20	1 1/4	1 1/4	1 1/8	3/4	1 1/8	3/4
	24	1 1/4	1 1/4	1 1/8	5/8	1 1/8	3/4
	30	1 1/2	1 1/2	1 1/8	3/4	1 1/8	3/4
WITH ENERGY RECOVERY	18	1 1/4	1 1/4	1 1/8	5/8	1 1/8	5/8
	20	1 1/4	1 1/4	1 1/8	3/4	1 1/8	3/4
	24	1 1/4	1 1/4	1 1/8	5/8	1 1/8	3/4
	30	1 1/2	1 1/2	1 1/8	3/4	1 1/8	3/4



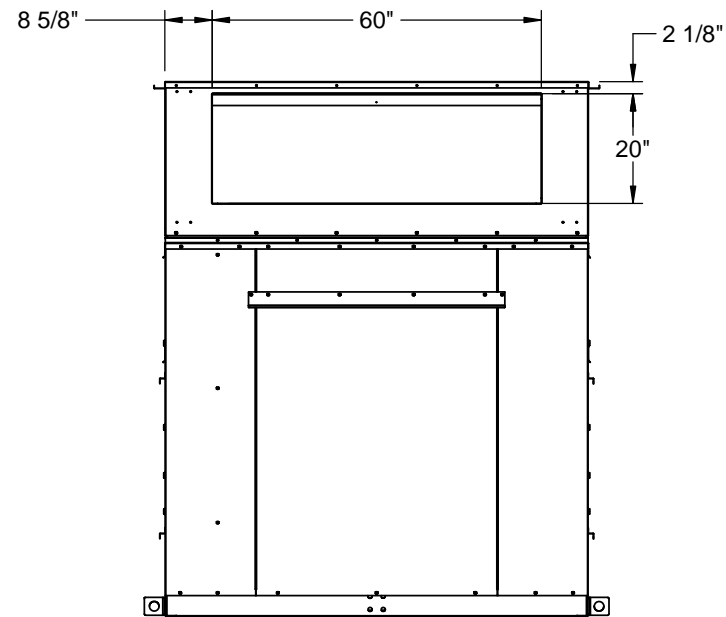
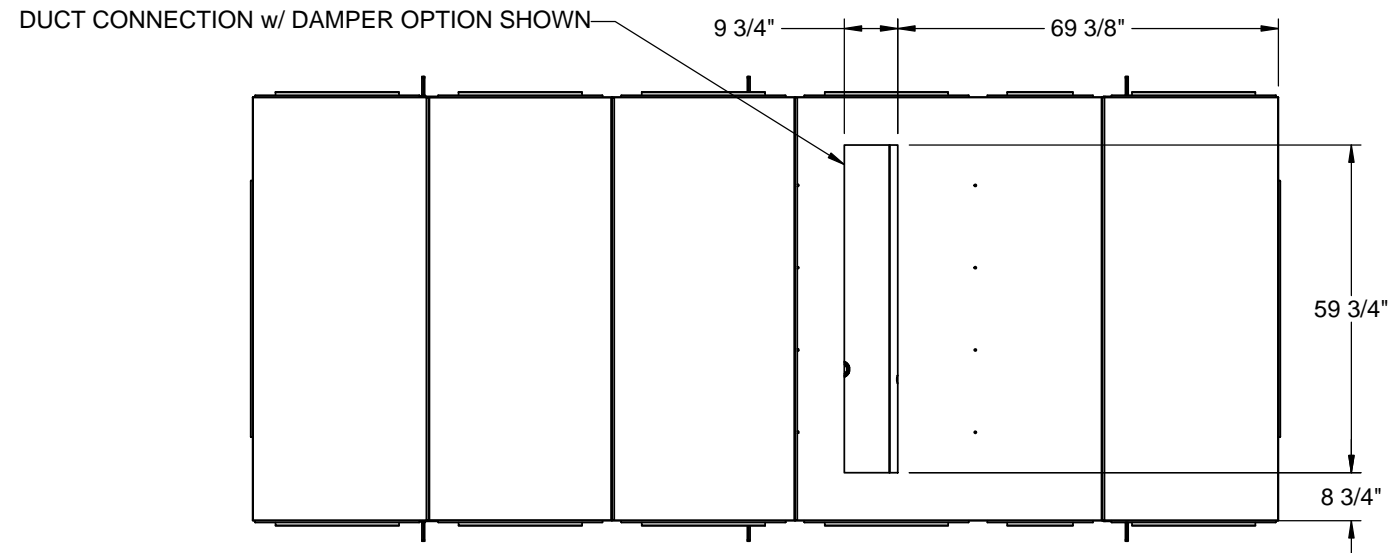
OPTIONAL BOTTOM WATER LINE CONNECTION LOCATION

BOTTOM CONDENSATE LOCATION

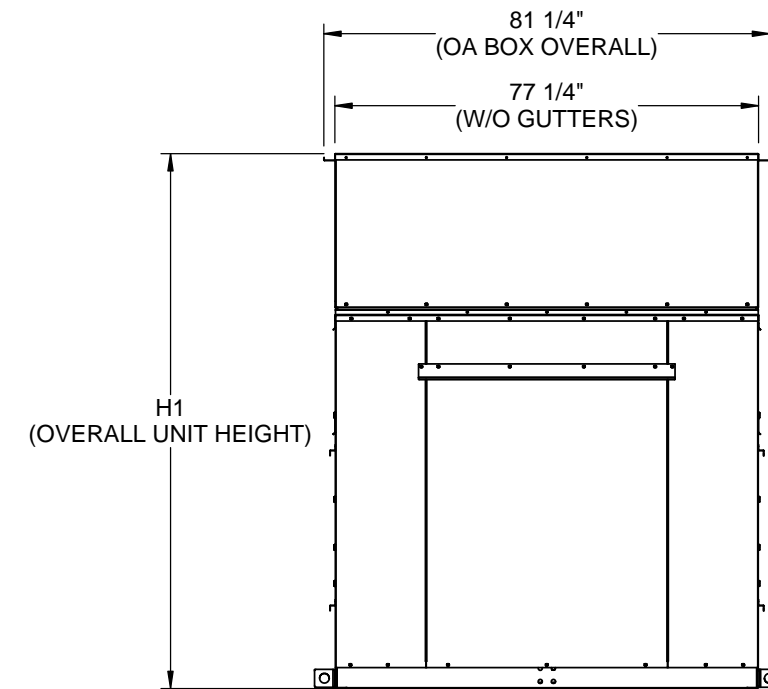
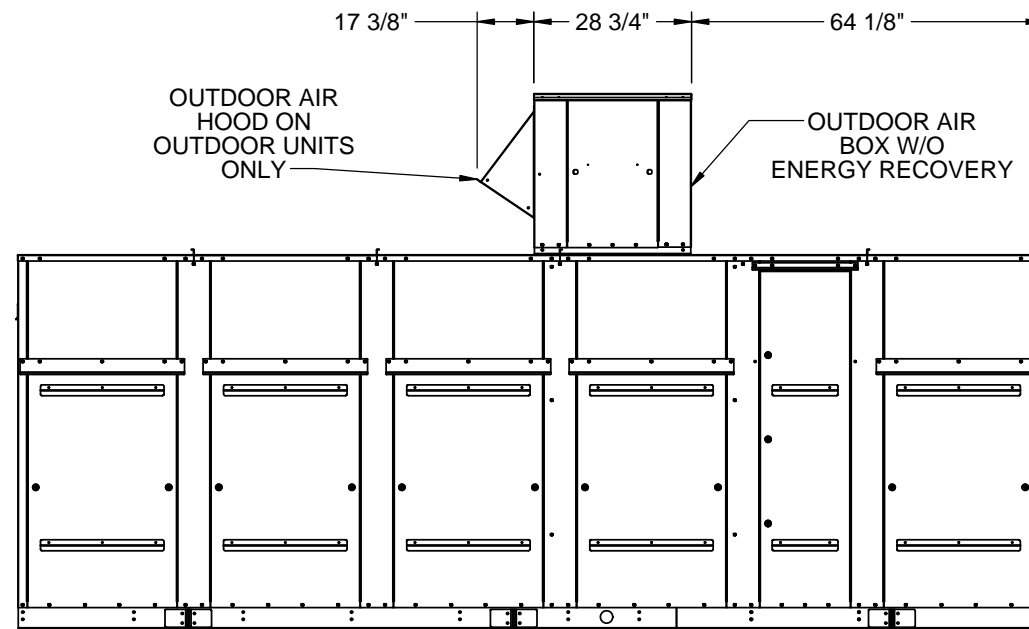
LEFT HAND CONNECTION OPTIONS SHOWN
RIGHT HAND CONNECTION OPTIONS LOCATED WITH SAME DIMENSIONS OPPOSITE SIDE WHEN SPECIFIED

Desert Aire has a policy of continuous product and quality improvement. Specifications and dimensions are subject to change without notice. This drawing and information contained herein are the exclusive property of the Desert Aire Corporation. Any use detrimental to the interests of Desert Aire is prohibited.	All Dimensions in Inches All Angles 90° All outside corners 0.125" fillet Unless Otherwise Specified	Tolerance Unless Otherwise Specified X.X ±.125 X.XX ±.060 X.XXX ±.030 Angles ±1°	N120 W18485 FREISTADT RD GERMANTOWN, WI 53022 Tel: (262) 946-7400 Fax: (262) 946-7401
ALL DIMENSIONS ARE IN INCHES FRACTIONAL TOLERANCE ± 1/8"	Third Angle Projection	Sheet 2/8	Page Title CUSTOMER CONNECTIONS
Part weight	Scale NTS	Rev. 0	Drawing Number G900-007

UNIT TYPE	MODEL SIZE	H1		
		NO VENTILATION	DUCT CONNECTION	OA BOX
WITHOUT ENERGY RECOVERY	18	49 1/8"	49 1/8"	77 1/2"
	20	49 1/8"	49 1/8"	77 1/2"
	24	59 1/8"	59 1/8"	87 1/2"
	30	69 1/8"	69 1/8"	97 1/2"



HOODS OMITTED FOR CLARITY

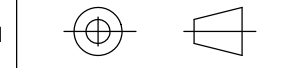


STANDARD OA FILTERS	MODEL SIZE	PART NUMBER	QTY	NOM WIDTH	NOM HEIGHT	NOM DEPTH
DISPOSABLE	18	870-051	3	25	25	2
	20	870-051	3	25	25	2
	24	870-051	3	25	25	2
	30	870-051	3	25	25	2

Desert Aire has a policy of continuous product and quality improvement. Specifications and dimensions are subject to change without notice. This drawing and information contained herein are the exclusive property of the Desert Aire Corporation. Any use detrimental to the interests of Desert Aire is prohibited.

ALL DIMENSIONS ARE IN INCHES
FRACTIONAL TOLERANCE ± 1/8"

All Dimensions in Inches
All Angles 90°
All outside corners 0.125" fillet
Unless Otherwise Specified



Third Angle Projection

Part weight

Tolerance Unless Otherwise Specified
X.X ±.125
X.XX ±.060
X.XXX ±.030
Angles ±1°

Drawn ASV Date Released 12/5/2014

Sheet 3/8

Scale NTS Rev. 0



N120 W18485 FREISTADT RD
GERMANTOWN, WI 53022
Tel: (262) 946-7400
Fax: (262) 946-7401

Description SA 18-30 TON EXTENDED RETURN

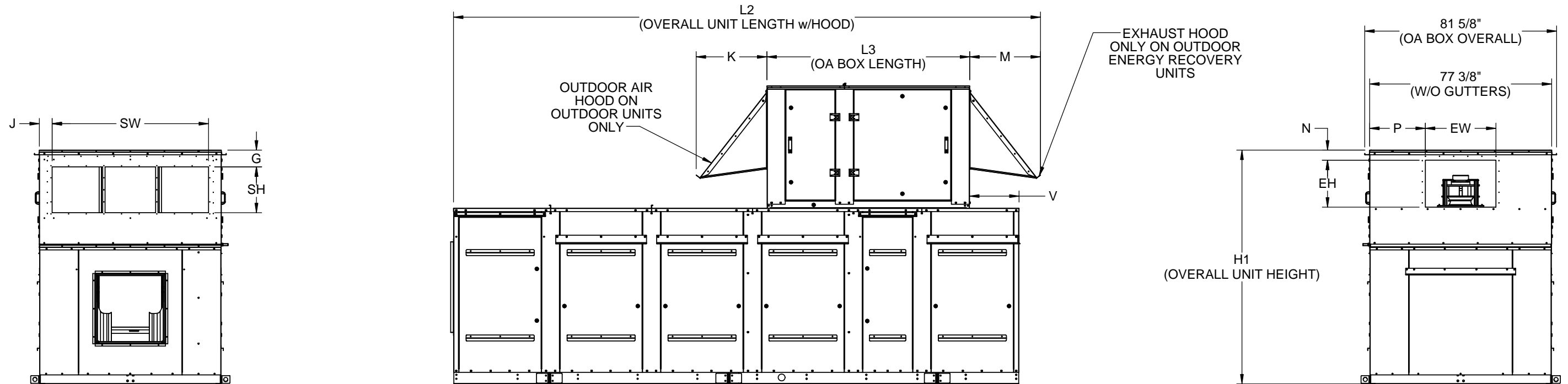
Page Title W/O ENERGY RECOVERY

Drawing Number G900-007



HOODS NOT PROVIDED ON INDOOR UNITS.
NOTE: SOME OUTDOOR CONFIGURATIONS
WILL NOT OVERHANG CABINET.

UNIT TYPE	MODEL SIZE	H1	L2 ¹		V	OA BOX										
			INDOOR	OUTDOOR		HOOD(S)		L3	OA INTAKE OPENING				EXHAUST DISCHARGE OPENING			
						K	M		SH	SW	G	J	EH	EW	N	P
ENERGY RECOVERY STANDARD BOX	18	89 1/2	186 7/8	186 7/8	32 3/4	23 3/8	23 3/8	67 1/8	19 1/2	66 1/2	7 1/8	5 3/8	20	30	4 1/4	23 5/8
	20	89 1/2	186 7/8	186 7/8	32 3/4	23 3/8	23 3/8	67 1/8	19 1/2	66 1/2	7 1/8	5 3/8	20	30	4 1/4	23 5/8
	24	99 1/2	186 7/8	186 7/8	32 3/4	23 3/8	23 3/8	67 1/8	19 1/2	66 1/2	7 1/8	5 3/8	20	30	4 1/4	23 5/8
	30	109 1/2	186 7/8	186 7/8	32 3/4	23 3/8	23 3/8	67 1/8	19 1/2	66 1/2	7 1/8	5 3/8	20	30	4 1/4	23 5/8
ENERGY RECOVERY EXPANDED BOX	18	89 1/2	186 7/8	210 5/8	0	13 1/2	23 3/8	109 1/4	26 4/5	74	4 1/2	15/8	20	40	4 1/4	18 5/8
	20	89 1/2	186 7/8	210 5/8	0	13 1/2	23 3/8	109 1/4	26 4/5	74	4 1/2	15/8	20	40	4 1/4	18 5/8
	24	99 1/2	186 7/8	210 5/8	0	13 1/2	23 3/8	109 1/4	26 4/5	74	4 1/2	15/8	20	40	4 1/4	18 5/8
	30	109 1/2	186 7/8	210 5/8	0	13 1/2	23 3/8	109 1/4	26 4/5	74	4 1/2	15/8	20	40	4 1/4	18 5/8



HOODS OMITTED FOR CLARITY

DRAWING IS REPRESENTATIVE
REFER TO TABLES FOR DIMENSIONS OF ACTUAL UNIT SELECTION

HOODS OMITTED FOR CLARITY

STANDARD OA FILTERS	MODEL SIZE	PART NUMBER	QTY	NOM WIDTH	NOM HEIGHT	NOM DEPTH
DISPOSABLE	18	870-051	3	25	25	2
	20	870-051	3	25	25	2
	24	870-051	3	25	25	2
	30	870-051	3	25	25	2

EXPANDED OA FILTERS	MODEL SIZE	PART NUMBER	QTY	NOM WIDTH	NOM HEIGHT	NOM DEPTH
DISPOSABLE	18	870-035	3	25	29	4
	20	870-035	3	25	29	4
	24	870-035	3	25	29	4
	30	870-035	3	25	29	4

Desert Aire has a policy of continuous product and quality improvement. Specifications and dimensions are subject to change without notice. This drawing and information contained herein are the exclusive property of the Desert Aire Corporation. Any use detrimental to the interests of Desert Aire is prohibited.

All Dimensions in Inches
All Angles 90°
All outside corners 0.125" fillet
Unless Otherwise Specified

Tolerance Unless Otherwise Specified
X.X ±.125
X.XX ±.060
X.XXX ±.030
Angles ±1°

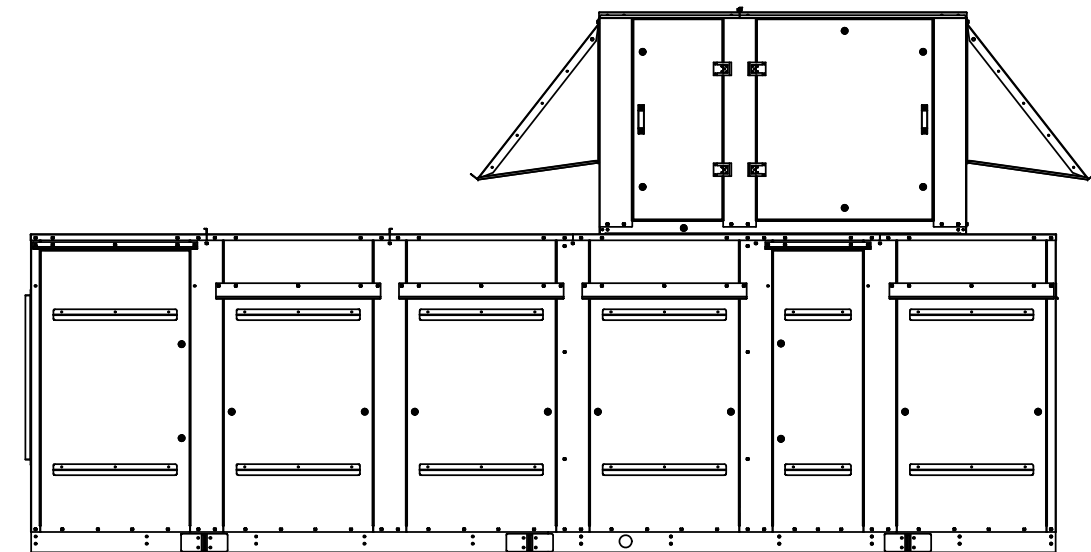
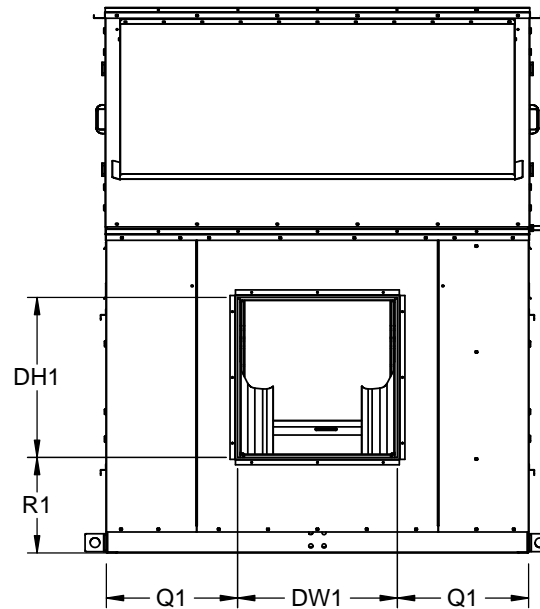
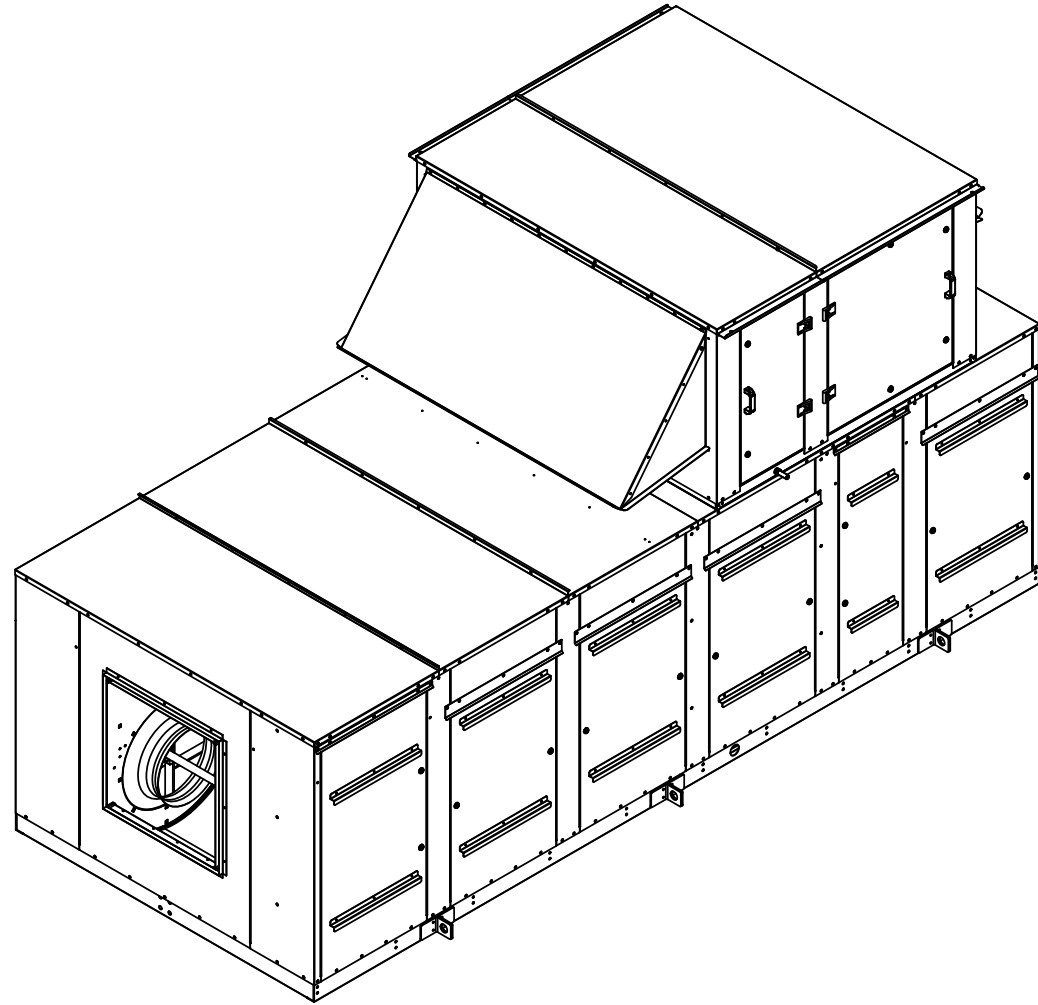
DESERT AIRE
N120 W18485 FREISTADT RD
GERMANTOWN, WI 53022
Tel: (262) 946-7400
Fax: (262) 946-7401


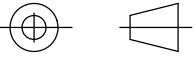
Drawn: ASV Date Released: 12/5/2014 Description: SA 18-30 TON EXTENDED RETURN

Third Angle Projection

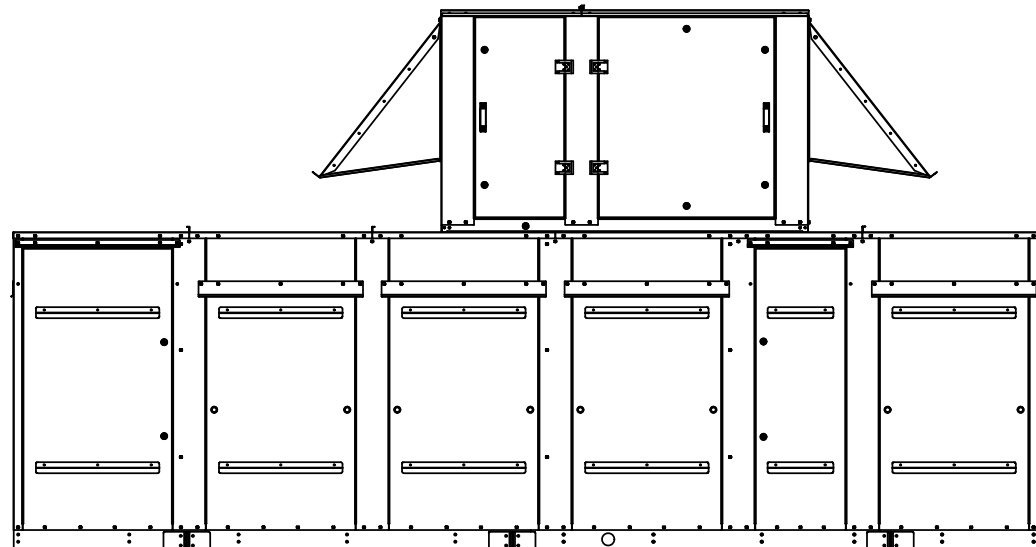
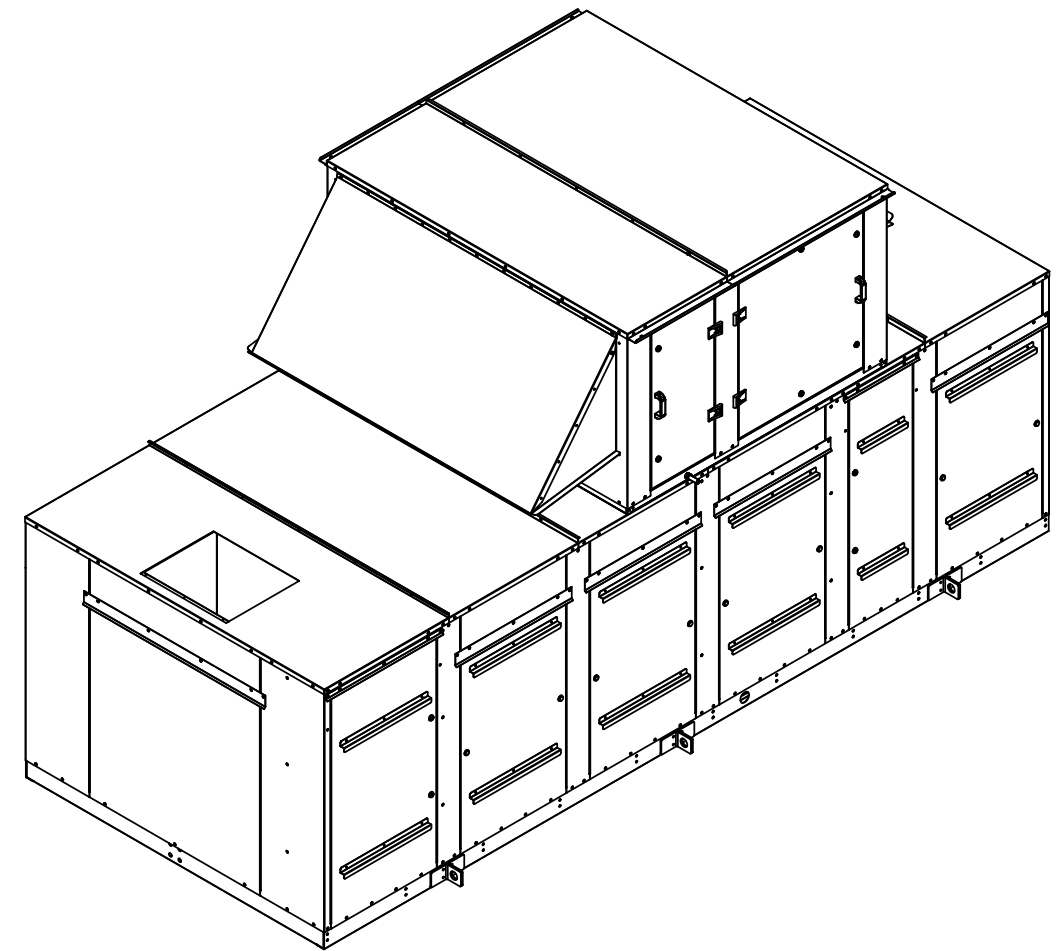
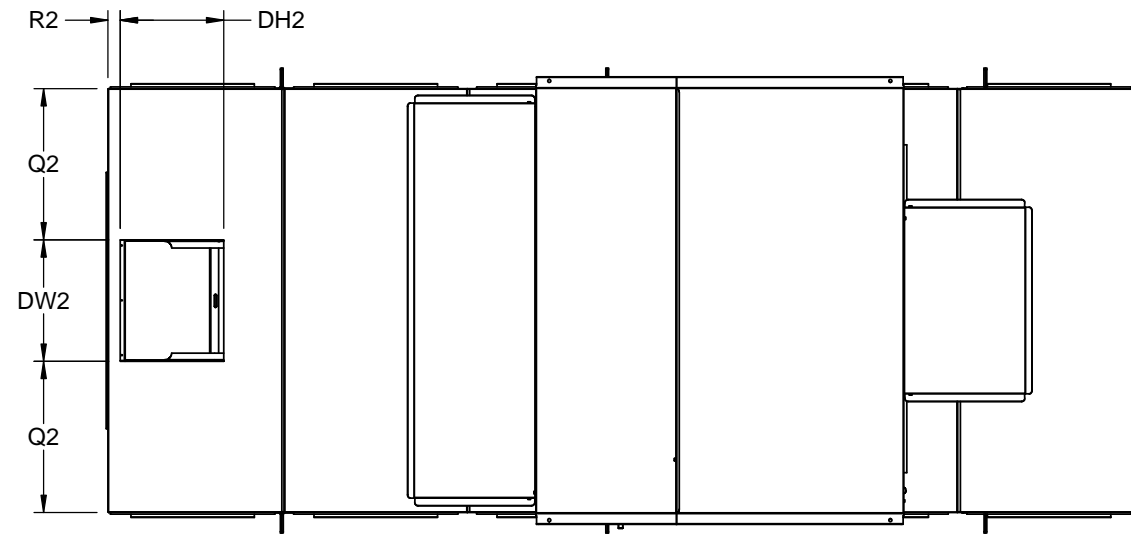
Scale: NTS Rev: 0 Page Title: W/ ENERGY RECOVERY Drawing Number: G900-007

18 TON					20 TON					24 TON					30 TON				
BLOWER	DH1	DW1	R1	Q1	BLOWER	DH1	DW1	R1	Q1	BLOWER	DH1	DW1	R1	Q1	BLOWER	DH1	DW1	R1	Q1
ATLI 15-11	16	14 7/8	14 1/4	31 1/4	ATLI 15-11	16	14 7/8	14 1/4	31 1/4	ATLI 18-13	18 7/8	17 1/2	16 3/8	30	ATLI 18-18	18 7/8	22 1/8	16 3/8	27 5/8
ATLI 18-13	18 7/8	17 1/2	16 3/8	30	ATLI 18-13	18 7/8	17 1/2	16 3/8	30	ATLI 18-18	18 7/8	22 1/8	16 3/8	27 5/8	ATLI 20-15	25 1/4	20 1/4	16 3/8	28 5/8
ATZAF 18-18	18 7/8	22 1/8	16 3/8	27 5/8	ATZAF 18-18	18 7/8	22 1/8	16 3/8	27 5/8	ATZAF 20-20	25 1/4	25 1/4	16 3/8	26 1/8	ATZAF 20-20	25 1/4	25 1/4	16 3/8	26 1/8
ATZAF 20-20	25 1/4	25 1/4	16 3/8	26 1/8	ATZAF 20-20	25 1/4	25 1/4	16 3/8	26 1/8	ATZAF 22-22	28 1/4	28 1/4	17 7/8	24 5/8	ATZAF 25-25	31 3/4	31 3/4	19 3/8	22 7/8
ATZAF 22-22	28 1/4	28 1/4	17 7/8	24 5/8	ATZAF 22-22	28 1/4	28 1/4	17 7/8	24 5/8	ATZAF 25-25	31 3/4	31 3/4	19 3/8	22 7/8					



Desert Aire has a policy of continuous product and quality improvement. Specifications and dimensions are subject to change without notice. This drawing and information contained herein are the exclusive property of the Desert Aire Corporation. Any use detrimental to the interests of Desert Aire is prohibited.	All Dimensions in Inches All Angles 90° All outside corners 0.125" fillet Unless Otherwise Specified	Tolerance Unless Otherwise Specified X.X ±.125 X.XX ±.060 X.XXX ±.030 Angles ±1°	 N120 W18485 FREISTADT RD GERMANTOWN, WI 53022 Tel: (262) 946-7400 Fax: (262) 946-7401
	 Third Angle Projection	Drawn: ASV Date Released: 12/5/2014 Description: SA 18-30 TON EXTENDED RETURN	
ALL DIMENSIONS ARE IN INCHES FRACTIONAL TOLERANCE ± 1/8"	Part weight	Sheet: 5/8 Scale: NTS Rev. 0	Page Title: END SUPPLY Drawing Number: G900-007

18 TON						20 TON						24 TON						30 TON					
BLOWER	DH2	DW2	R2		Q2	BLOWER	DH2	DW2	R2		Q2	BLOWER	DH2	DW2	R2		Q2	BLOWER	DH2	DW2	R2		Q2
			OVER	AWAY					OVER	AWAY					OVER	AWAY					OVER	AWAY	
ATLI 15-11	16	14 7/8	2 1/8	9 3/4	31 1/4	ATLI 15-11	16	14 7/8	2 1/8	9 3/4	31 1/4	ATLI 18-13	18 7/8	17 1/2	2 1/8	11 7/8	30	ATLI 18-18	18 7/8	22 1/8	2 1/8	11 7/8	27 5/8
ATLI 18-13	18 7/8	17 1/2	2 1/8	11 7/8	30	ATLI 18-13	18 7/8	17 1/2	2 1/8	11 7/8	30	ATLI 18-18	18 7/8	22 1/8	2 1/8	11 7/8	27 5/8	ATLI 20-15	25 1/4	20 1/4	1 3/8	11 7/8	28 5/8
ATZAF 18-18	18 7/8	22 1/8	2 1/8	11 7/8	27 5/8	ATZAF 18-18	18 7/8	22 1/8	2 1/8	11 7/8	27 5/8	ATZAF 20-20	25 1/4	25 1/4	1 3/8	11 7/8	26 1/8	ATZAF 20-20	25 1/4	25 1/4	1 3/8	11 7/8	26 1/8
ATZAF 20-20	25 1/4	25 1/4	1 3/8	11 7/8	26 1/8	ATZAF 20-20	25 1/4	25 1/4	1 3/8	11 7/8	26 1/8	ATZAF 22-22	28 1/4	28 1/4	1 3/8	13 3/8	24 5/8	ATZAF 25-25	31 3/4	31 3/4	1 3/8	14 7/8	22 7/8
ATZAF 22-22	28 1/4	28 1/4	1 3/8	13 3/8	24 5/8	ATZAF 22-22	28 1/4	28 1/4	1 3/8	13 3/8	24 5/8	ATZAF 25-25	31 3/4	31 3/4	1 3/8	14 7/8	22 7/8						



Desert Aire has a policy of continuous product and quality improvement. Specifications and dimensions are subject to change without notice. This drawing and information contained herein are the exclusive property of the Desert Aire Corporation. Any use detrimental to the interests of Desert Aire is prohibited.

ALL DIMENSIONS ARE IN INCHES
FRACTIONAL TOLERANCE ± 1/8"

All Dimensions in Inches
All Angles 90°
All outside corners 0.125" fillet
Unless Otherwise Specified



Third Angle Projection

Part weight

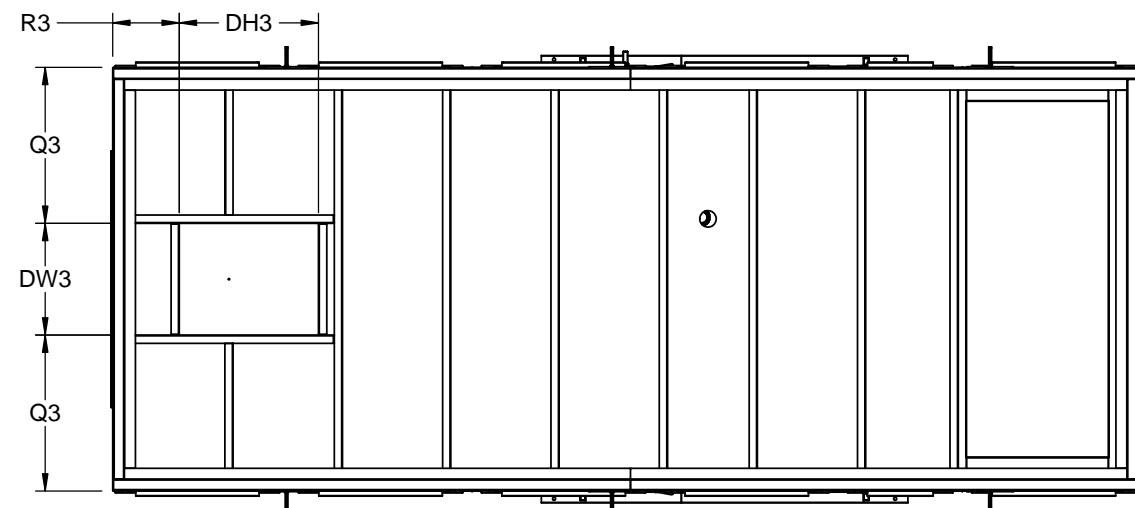
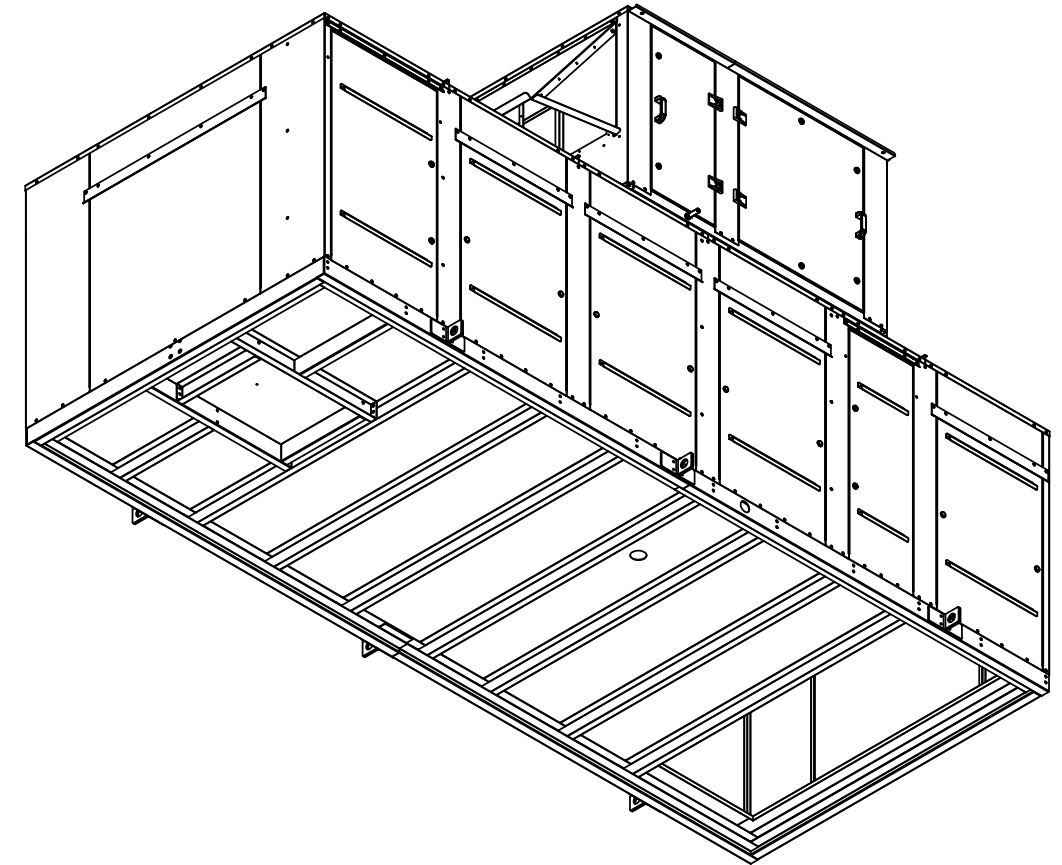
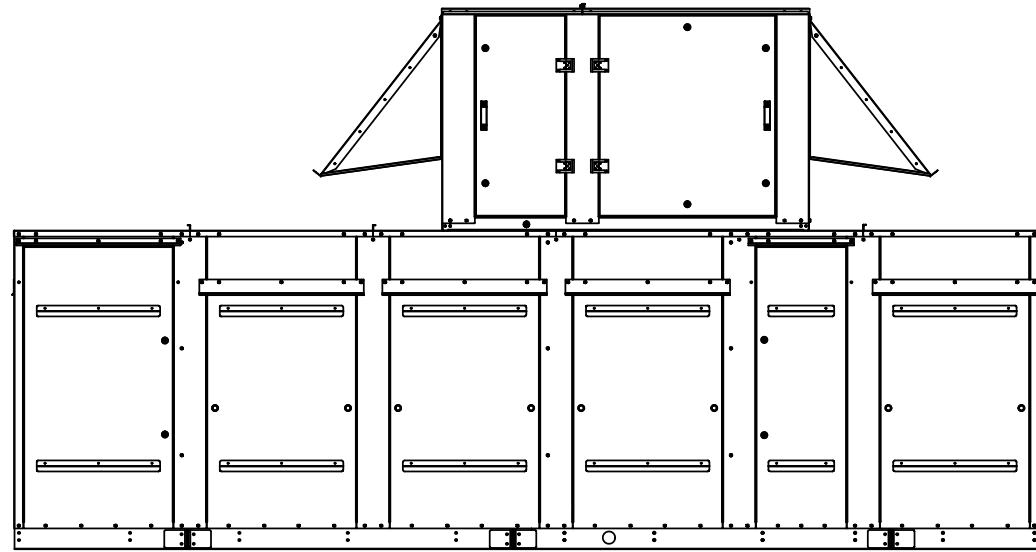
Tolerance Unless Otherwise Specified
X.X ±.125
X.XX ±.060
X.XXX ±.030
Angles ±1°




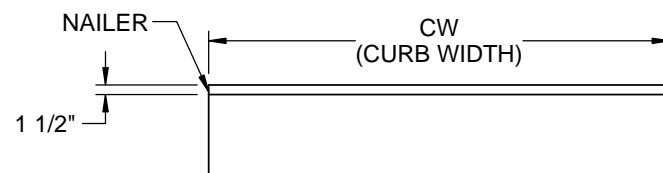
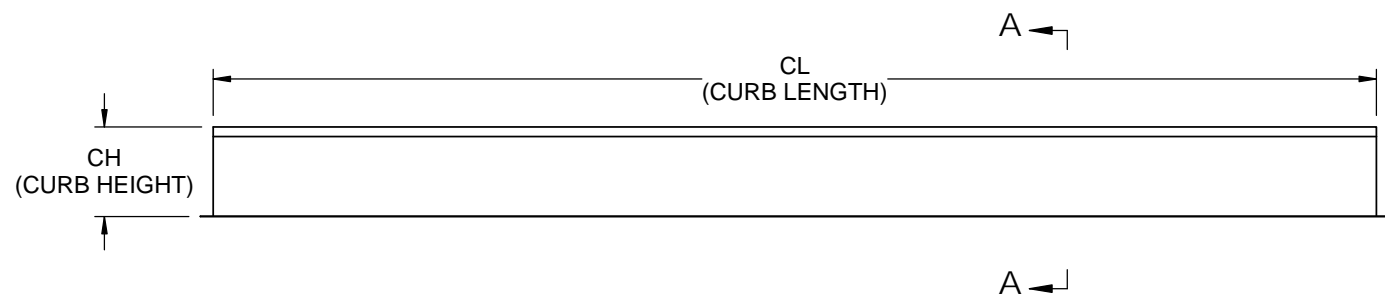
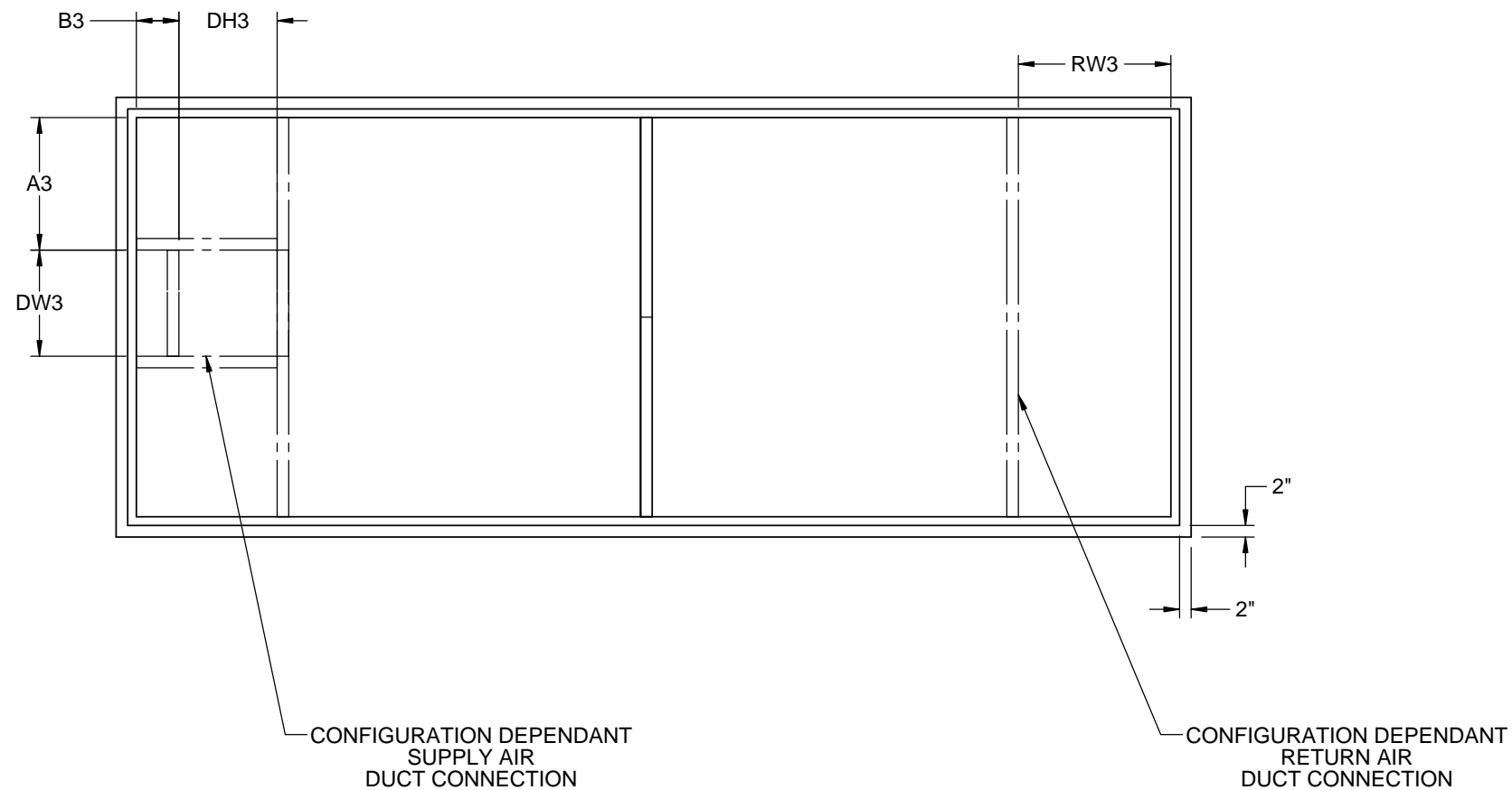
N120 W18485 FREISTADT RD
GERMANTOWN, WI 53022
Tel: (262) 946-7400
Fax: (262) 946-7401

Drawn ASV	Date Released 12/5/2014	Description SA 18-30 TON EXTENDED RETURN
Sheet 6/8	Page Title TOP SUPPLY	
Scale NTS	Rev. 0	Drawing Number G900-007

18 TON					20 TON					24 TON					30 TON				
BLOWER	DH3	DW3	R3	Q3	BLOWER	DH3	DW3	R3	Q3	BLOWER	DH3	DW3	R3	Q3	BLOWER	DH3	DW3	R3	Q3
ATLI 15-11	16	14 7/8	9 3/4	31 1/4	ATLI 15-11	16	14 7/8	9 3/4	31 1/4	ATLI 18-13	18 7/8	17 1/2	11 7/8	30	ATLI 18-18	18 7/8	22 1/8	11 7/8	27 5/8
ATLI 18-13	18 7/8	17 1/2	11 7/8	30	ATLI 18-13	18 7/8	17 1/2	11 7/8	30	ATLI 18-18	18 7/8	22 1/8	11 7/8	27 5/8	ATLI 20-15	25 1/4	20 1/4	11 7/8	28 5/8
ATZAF 18-18	18 7/8	22 1/8	11 7/8	27 5/8	ATZAF 18-18	18 7/8	22 1/8	11 7/8	27 5/8	ATZAF 20-20	25 1/4	25 1/4	11 7/8	26 1/8	ATZAF 20-20	25 1/4	25 1/4	11 7/8	26 1/8
ATZAF 20-20	25 1/4	25 1/4	11 7/8	26 1/8	ATZAF 20-20	25 1/4	25 1/4	11 7/8	26 1/8	ATZAF 22-22	28 1/4	28 1/4	13 3/8	24 5/8	ATZAF 25-25	31 3/4	31 3/4	14 7/8	22 7/8
ATZAF 22-22	28 1/4	28 1/4	13 3/8	24 5/8	ATZAF 22-22	28 1/4	28 1/4	13 3/8	24 5/8	ATZAF 25-25	31 3/4	31 3/4	14 7/8	22 7/8					



Desert Aire has a policy of continuous product and quality improvement. Specifications and dimensions are subject to change without notice. This drawing and information contained herein are the exclusive property of the Desert Aire Corporation. Any use detrimental to the interests of Desert Aire is prohibited.	All Dimensions in Inches All Angles 90° All outside corners 0.125" fillet Unless Otherwise Specified	Tolerance Unless Otherwise Specified X.X ±.125 X.XX ±.060 X.XXX ±.030 Angles ±1°	 N120 W18485 FREISTADT RD GERMANTOWN, WI 53022 Tel: (262) 946-7400 Fax: (262) 946-7401
ALL DIMENSIONS ARE IN INCHES FRACTIONAL TOLERANCE ± 1/8"	Third Angle Projection	Sheet: 7/8 Scale: NTS	Page Title: DOWN SUPPLY Rev: 0 Drawing Number: G900-007



SECTION A-A

CURB PN	CURB		DOWN SUPPLY AND / OR DOWN RETURN				
	LENGTH	WIDTH	RW3	DW3	A3	DH3	B3
CB-SNDA-XX	181 3/4	72	28 3/4	14 7/8	27 1/8	16	5 3/4
CB-SNDB-XX	181 3/4	72	28 3/4	17 1/2	25 3/4	18 7/8	7 7/8
CB-SNDC-XX	181 3/4	72	28 3/4	22 1/8	23 1/2	18 7/8	7 7/8
CB-SNDD-XX	181 3/4	72	28 3/4	20 1/4	24 3/8	25 1/4	7 7/8
CB-SNDG-XX	181 3/4	72	28 3/4	22 1/8	23 1/2	18 7/8	7 7/8
CB-SNDH-XX	181 3/4	72	28 3/4	25 1/4	21 7/8	25 1/4	7 7/8
CB-SNDJ-XX	181 3/4	72	28 3/4	28 1/4	20 3/8	28 1/4	9 3/8
CB-SNDK-XX	181 3/4	72	28 3/4	31 3/4	18 5/8	31 3/4	10 7/8
CB-SNDZ-XX	181 3/4	72	28 3/4	NO SUPPLY/RETURN DUCT CONNECITON			

CURB HEIGHT IN INCHES DESIGNATED BY XX IN THE CURB PART NUMBER

DUCT CONNECTIONS FOR DOWN SUPPLY AND/OR DOWN RETURN

NOTES:
REFER TO SHEET 1 FOR GENERAL NOTES

CURBS 115" IN LENGTH AND LESS ARE SHIPPED AS COMPLETE CURBS, GREATER THAN 115" ARE SHIPPED KNOCKED DOWN.

NUMBER AND LOCATION OF CROSS SUPPORT(S) IS DEPENDANT UPON THE GAUGE OF MATERIAL USED TO CONSTRUCT THE CURB, DUCT SUPPORT CONFIGURATION, LENGTH OF CURB, AND WIDTH OF CURB. INSTALLATION INSTRUCTIONS INCLUDED WITH CURB SHIPMENT INDICATE THE REQUIRED POSITION FOR FIELD ASSEMBLED CURBS.

Desert Aire has a policy of continuous product and quality improvement. Specifications and dimensions are subject to change without notice. This drawing and information contained herein are the exclusive property of the Desert Aire Corporation. Any use detrimental to the interests of Desert Aire is prohibited.

All Dimensions in Inches
All Angles 90°
All outside corners 0.125" fillet
Unless Otherwise Specified

Tolerance Unless Otherwise Specified
X.X ±.125
X.XX ±.060
X.XXX ±.030
Angles ±1°

DESERT AIRE
N120 W18485 FREISTADT RD
GERMANTOWN, WI 53022
Tel: (262) 946-7400
Fax: (262) 946-7401

Third Angle Projection

Part weight

ALL DIMENSIONS ARE IN INCHES
TOLERANCE ± 1/8"

Drawn	ASV	Date Released	12/5/2014	Description	SA 18-30 TON EXTENDED RETURN
Sheet	8/8			Page Title	CURB DETAILS
Scale	NTS		Rev.	0	Drawing Number
					G900-007