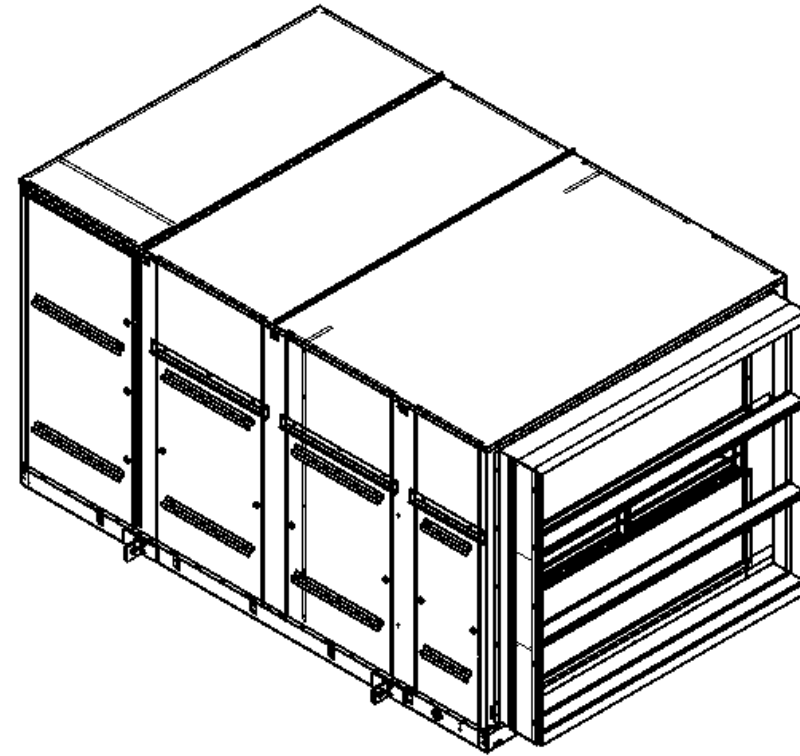
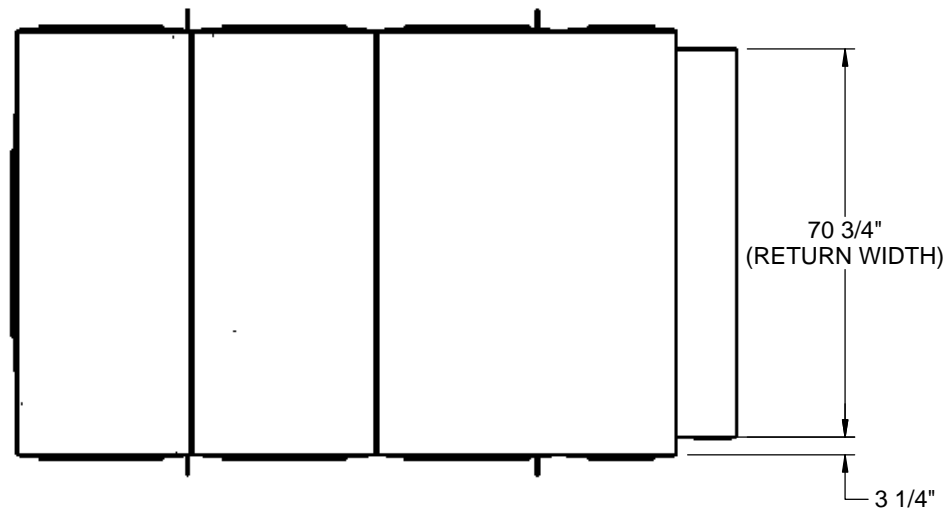
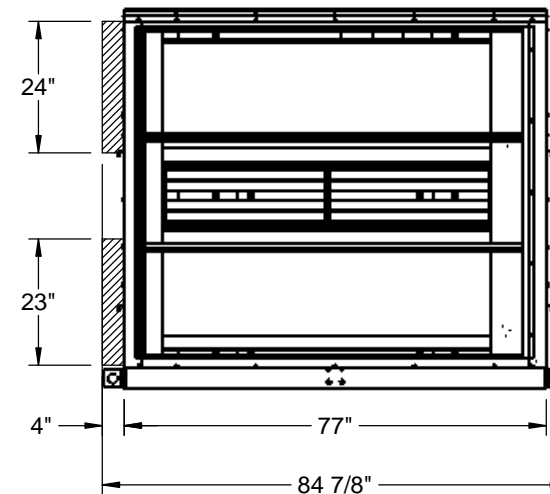
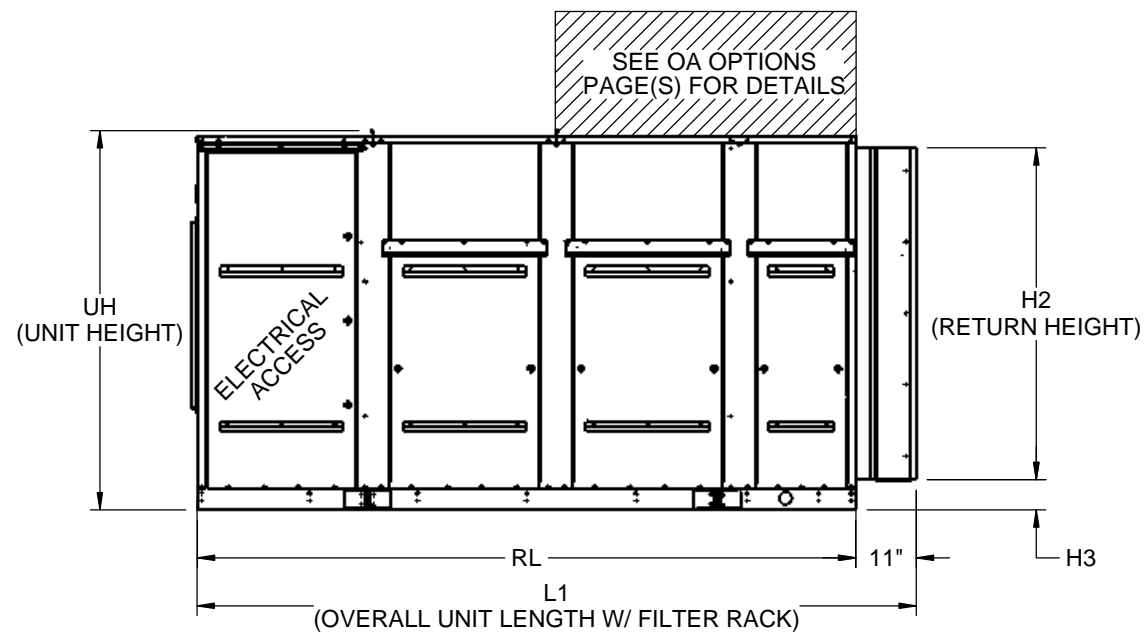


NON-VENTILATION UNIT SHOWN



UNIT TYPE	MODEL SIZE	RL	L1	UH	H2	H3
WITHOUT ENERGY RECOVERY	18	120	131 1/8	49 1/8	40 3/8	5 7/8
	20	120	131 1/8	49 1/8	40 3/8	5 7/8
	24	120	131 1/8	59 1/8	48 3/8	5 7/8
	30	120	131 1/8	69 1/8	60 1/2	5 7/8
WITH ENERGY RECOVERY	18	153 3/8	164 1/2	49 1/8	40 3/8	6 1/2
	20	153 3/8	164 1/2	49 1/8	40 3/8	6 1/2
	24	153 3/8	164 1/2	59 1/8	48 3/8	6 1/2
	30	153 3/8	164 1/2	69 1/8	60 1/2	6 1/2

CAB	STANDARD RETURN						
	FILTER OPTION	MODEL SIZE	PART NUMBER	QTY	NOM WIDTH	NOM HEIGHT	NOM DEPTH
DISPOSABLE		18	870-041	6	20	24	4
		20	870-041	6	20	24	4
		24	870-012	6	24	24	4
		30	870-041	9	20	24	4
DEACTIVATOR	18		872-006	6	20	24	2
			870-043	6			
	20		872-006	6	20	24	2
			870-043	6			
	24		872-010	6	24	24	2
			870-009	6			
	30		872-006	9	20	24	2
			870-043	9			



OPTIONAL OUTDOOR HOODS OMITTED FOR CLARITY
SEE OA BOX OPTION PAGES FOR DETAILED INFORMATION

GENERAL NOTES FOR APPLICABLE SHEETS:

- VIEWES ARE FOR PICTORAL PURPOSES.
- REFER TO SUBMITTAL FOR CUSTOMER CONNECTION LOCATIONS.
- DIMENSIONS ARE TO ACCESS SIDE OF UNIT.
- LH ACCESS SHOWN FOR DISPLAY PURPOSES. ACCESS DOOR CONFIGURATION MAY CHANGE DEPENDING ON UNIT SIZE OR TYPE
- REFER TO SHEET 4,5,6 FOR INTAKE AND DISCHARGE CONNECTION DIMENSIONS.

Desert Aire has a policy of continuous product and quality improvement. Specifications and dimensions are subject to change without notice. This drawing and information contained herein are the exclusive property of the Desert Aire Corporation. Any use detrimental to the interests of Desert Aire is prohibited.

All Dimensions in Inches
All Angles 90°
All outside corners 0.125" fillet
Unless Otherwise Specified

Tolerance Unless Otherwise Specified
X.X ±.125
X.XX ±.060
X.XXX ±.030
Angles ±1°

DESERT AIRE
N120 W18485 FREISTADT RD
GERMANTOWN, WI 53022
Tel: (262) 946-7400
Fax: (262) 946-7401

Third Angle Projection

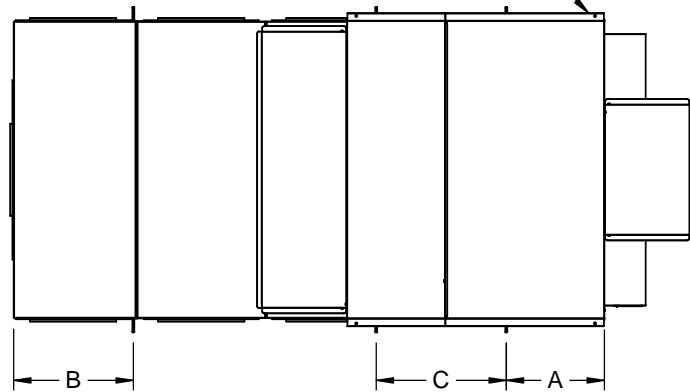
Part weight

Drawn ASV	Date Released 12/5/2014	Description SA 18-30 TON STANDARD RETURN
Sheet 1/7	Page Title GENERAL INFORMATION	
Scale NTS	Rev. 0	Drawing Number G900-001

ALL DIMENSIONS ARE IN INCHES
FRACTIONAL TOLERANCE ± 1/8"

G900-001

ENERGY RECOVERY OPTION SHOWN

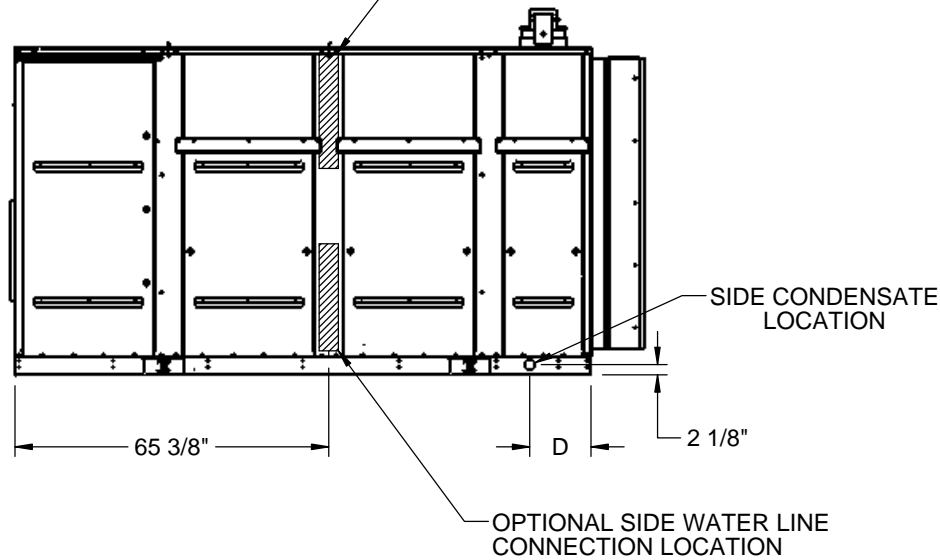


SEE TABLE FOR LIFTING LUG QUANTITY AND LOCATION

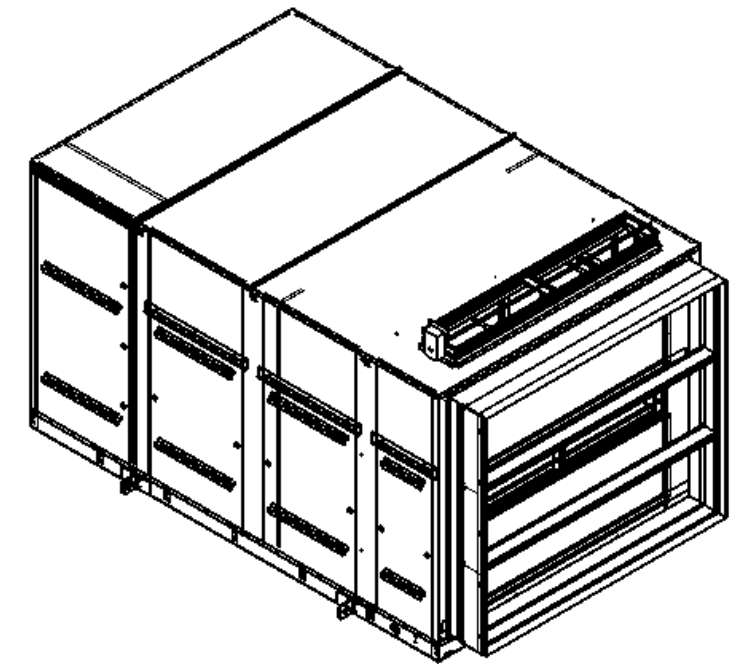
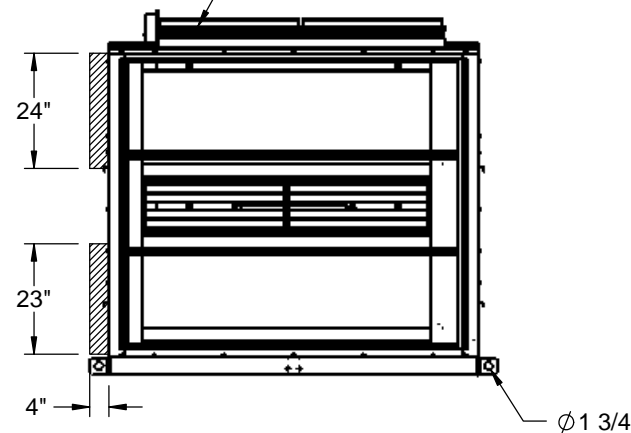
UNIT TYPE	MODEL SIZE	LUG QTY	LUG 1	LUG 2	LUG 3
			A	B	C
WITHOUT ENERGY RECOVERY	18	2	25 1/4	31	N/A
	20	2	25 1/4	31	N/A
	24	2	25 1/4	31	N/A
	30	2	25 1/4	31	N/A
WITH ENERGY RECOVERY	18	3	25 1/4	31	33 7/8
	20	3	25 1/4	31	33 7/8
	24	3	25 1/4	31	33 7/8
	30	3	25 1/4	31	33 7/8

UNIT TYPE	MODEL SIZE	D	POOL WATER		CIRCUIT A		CIRCUIT B	
			CIRCUIT A	CIRCUIT B	DISCH DIA	LIQUID DIA	DISCH DIA	LIQUID DIA
WITHOUT ENERGY RECOVERY	18	12 3/4	1 1/4	1 1/4	1 1/8	5/8	1 1/8	5/8
	20	12 3/4	1 1/4	1 1/4	1 1/8	3/4	1 1/8	3/4
	24	12 3/4	1 1/4	1 1/4	1 1/8	5/8	1 1/8	3/4
	30	12 3/4	1 1/2	1 1/2	1 1/8	3/4	1 1/8	3/4
WITH ENERGY RECOVERY	18	46 1/8	1 1/4	1 1/4	1 1/8	5/8	1 1/8	5/8
	20	46 1/8	1 1/4	1 1/4	1 1/8	3/4	1 1/8	3/4
	24	46 1/8	1 1/4	1 1/4	1 1/8	5/8	1 1/8	3/4
	30	46 1/8	1 1/2	1 1/2	1 1/8	3/4	1 1/8	3/4

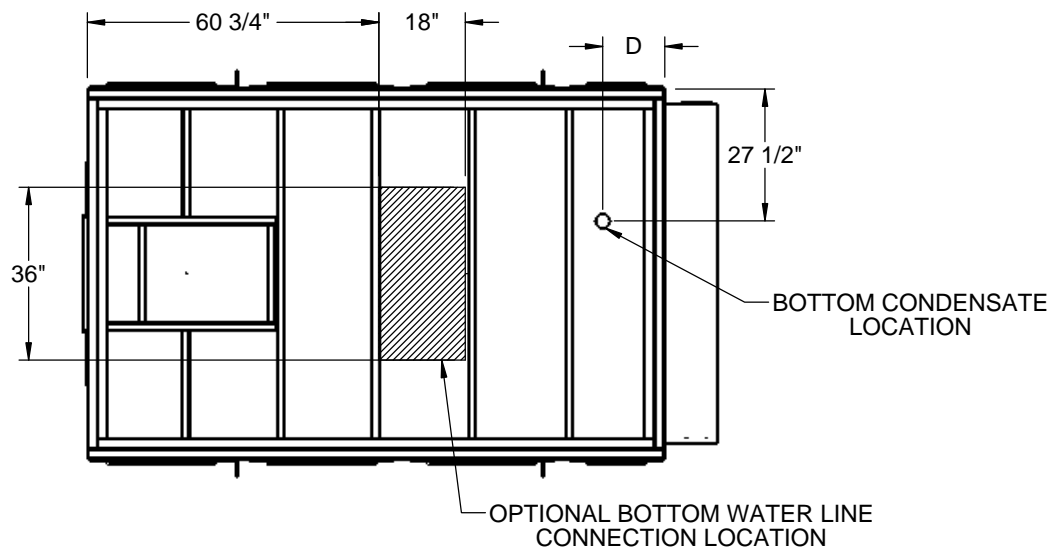
OPTIONAL SIDE REMOTE CONDENSER CONNECTION LOCATION



DUCT CONNECTION w/DAMPER OPTION SHOWN



OPTIONAL SIDE WATER LINE CONNECTION LOCATION

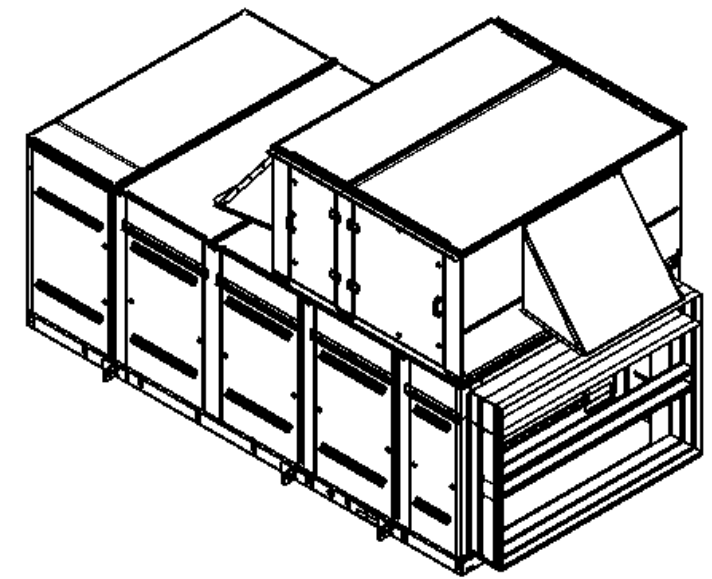
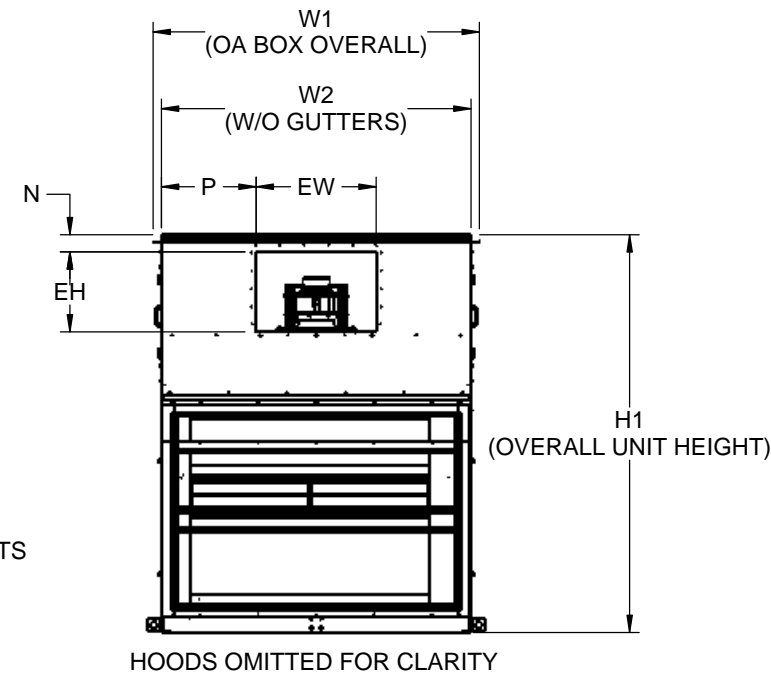
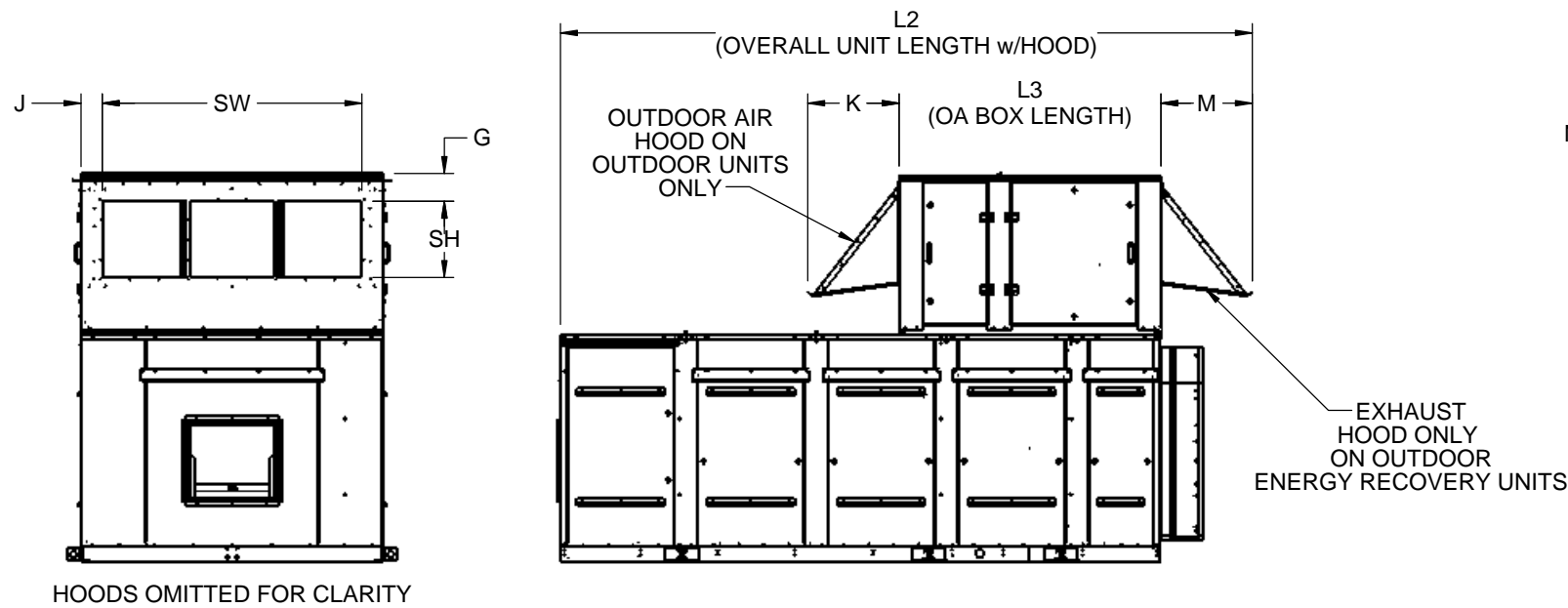
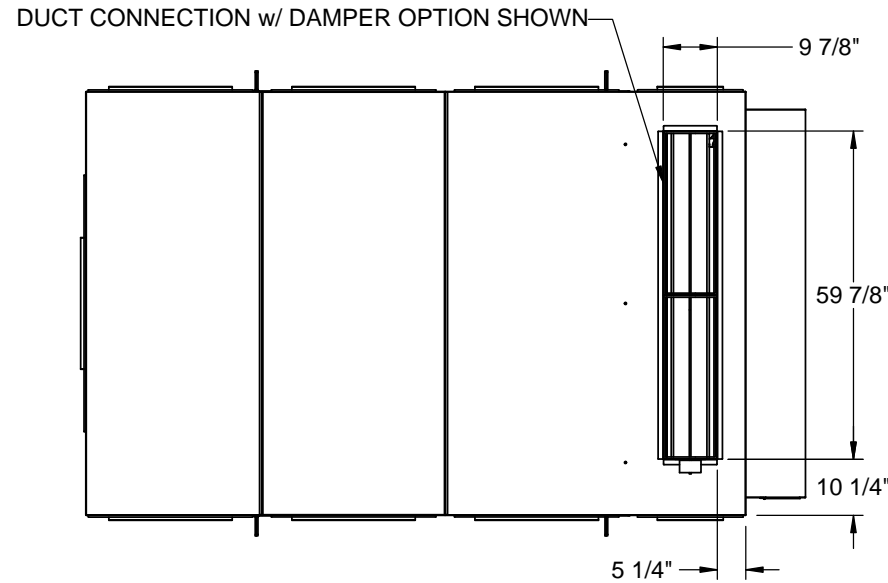


LEFT HAND CONNECTION OPTIONS SHOWN
RIGHT HAND CONNECTION OPTIONS LOCATED WITH SAME DIMENSIONS OPPOSITE SIDE WHEN SPECIFIED

Desert Aire has a policy of continuous product and quality improvement. Specifications and dimensions are subject to change without notice. This drawing and information contained herein are the exclusive property of the Desert Aire Corporation. Any use detrimental to the interests of Desert Aire is prohibited.	All Dimensions in Inches All Angles 90° All outside corners 0.125" fillet Unless Otherwise Specified	Tolerance Unless Otherwise Specified X.X ±.125 X.XX ±.060 X.XXX ±.030 Angles ±1°	N120 W18485 FREISTADT RD GERMANTOWN, WI 53022 Tel: (262) 946-7400 Fax: (262) 946-7401
ALL DIMENSIONS ARE IN INCHES FRACTIONAL TOLERANCE ± 1/8"	Third Angle Projection	Sheet: 2/7	Page Title: CUSTOMER CONNECTIONS
Part weight	Scale: NTS	Rev: 0	Drawing Number: G900-001

HOODS NOT PROVIDED ON INDOOR UNITS.
NOTE: SOME OUTDOOR CONFIGURATIONS
WILL NOT OVERHANG CABINET.

UNIT TYPE	MODEL SIZE	H1			L2		OA BOX					
		NO VENTILATION	DUCT CONNECTION	OA BOX	INDOOR	OUTDOOR	HOOD(S)		L3	OUTDOOR OVERALL	W2	W1
							K	M				
WITHOUT ENERGY RECOVERY	18	49 1/8	52 1/2	77 1/2	131 1/8	131 1/8	17 3/8	N/A	28 3/4	46 1/8	77 1/8	81 3/8
	20	49 1/8	52 1/2	77 1/2	131 1/8	131 1/8	17 3/8	N/A	28 3/4	46 1/8	77 1/8	81 3/8
	24	59 1/8	62 1/2	87 1/2	131 1/8	131 1/8	17 3/8	N/A	28 3/4	46 1/8	77 1/8	81 3/8
	30	69 1/8	72 1/2	97 1/2	131 1/8	131 1/8	17 3/8	N/A	28 3/4	46 1/8	77 1/8	81 3/8
WITH ENERGY RECOVERY	18	N/A	N/A	89 1/2	164 1/2	177 1/8	23 3/8	23 3/8	67 1/8	113 7/8	77 1/8	81 3/4
	20	N/A	N/A	89 1/2	164 1/2	177 1/8	23 3/8	23 3/8	67 1/8	113 7/8	77 1/8	81 3/4
	24	N/A	N/A	99 1/2	164 1/2	177 1/8	23 3/8	23 3/8	67 1/8	113 7/8	77 1/8	81 3/4
	30	N/A	N/A	109 1/2	164 1/2	177 1/8	23 3/8	23 3/8	67 1/8	113 7/8	77 1/8	81 3/4



OA FILTERS	MODEL SIZE	PART NUMBER	QTY	NOM WIDTH	NOM HEIGHT	NOM DEPTH
DISPOSABLE	18	870-051	3	25	25	2
	20	870-051	3	25	25	2
	24	870-051	3	25	25	2
	30	870-051	3	25	25	2

UNIT TYPE	MODEL SIZE	OA INTAKE OPENING				EXHAUST DISCHARGE OPENING			
		SH	SW	G	J	EH	EW	N	P
WITHOUT ENERGY RECOVERY	18	20	60	2 1/4	8 5/8	N/A	N/A	N/A	N/A
	20	20	60	2 1/4	8 5/8	N/A	N/A	N/A	N/A
	24	20	60	2 1/4	8 5/8	N/A	N/A	N/A	N/A
	30	20	60	2 1/4	8 5/8	N/A	N/A	N/A	N/A
WITH ENERGY RECOVERY	18	19 1/2	66 1/2	7 1/8	5 3/8	20	30	4 1/4	23 5/8
	20	19 1/2	66 1/2	7 1/8	5 3/8	20	30	4 1/4	23 5/8
	24	19 1/2	66 1/2	7 1/8	5 3/8	20	30	4 1/4	23 5/8
	30	19 1/2	66 1/2	7 1/8	5 3/8	20	30	4 1/4	23 5/8

Desert Aire has a policy of continuous product and quality improvement. Specifications and dimensions are subject to change without notice. This drawing and information contained herein are the exclusive property of the Desert Aire Corporation. Any use detrimental to the interests of Desert Aire is prohibited.

All Dimensions in Inches
All Angles 90°
All outside corners 0.125" fillet
Unless Otherwise Specified

Tolerance Unless Otherwise Specified
X.X ±.125
X.XX ±.060
X.XXX ±.030
Angles ±1°

DESERT AIRE
N120 W18485 FREISTADT RD
GERMANTOWN, WI 53022
Tel: (262) 946-7400
Fax: (262) 946-7401

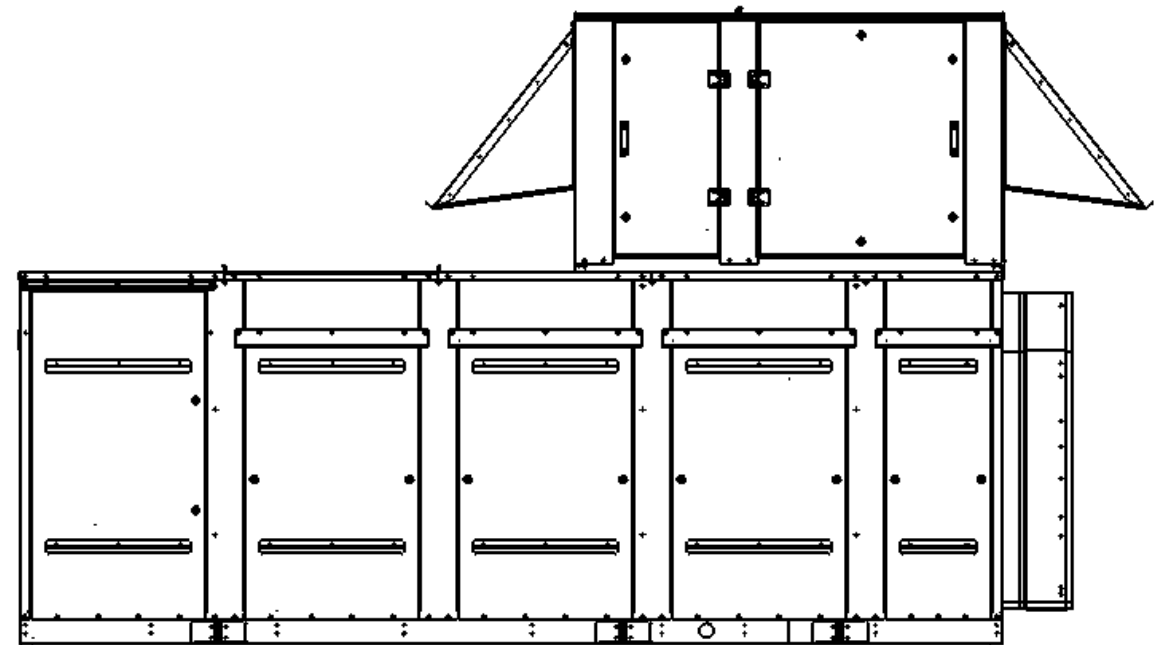
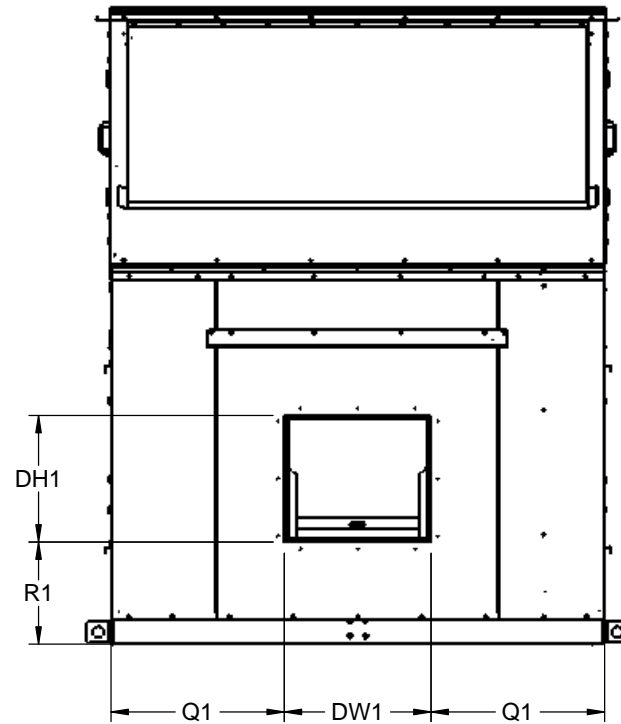
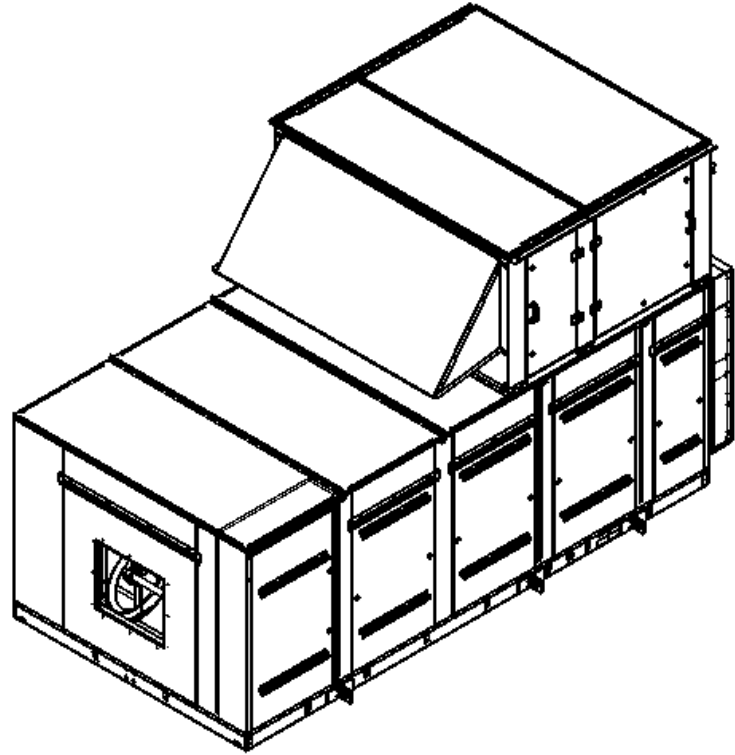
Third Angle Projection

ALL DIMENSIONS ARE IN INCHES
FRACTIONAL TOLERANCE ± 1/8"

Part weight

Drawn	ASV	Date Released	12/5/2014	Description	SA 18-30 TON STANDARD RETURN
Sheet	3/7			Page Title	OUTDOOR AIR/EXHAUST DETAILS
Scale	NTS		Rev.	0	Drawing Number
					G900-001

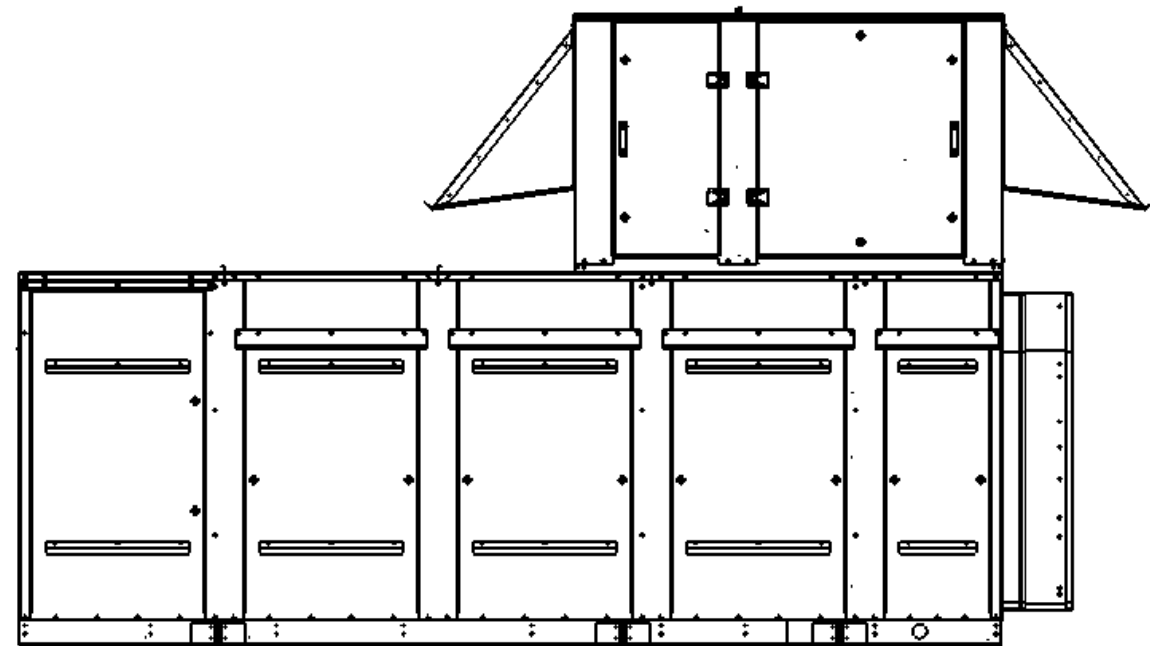
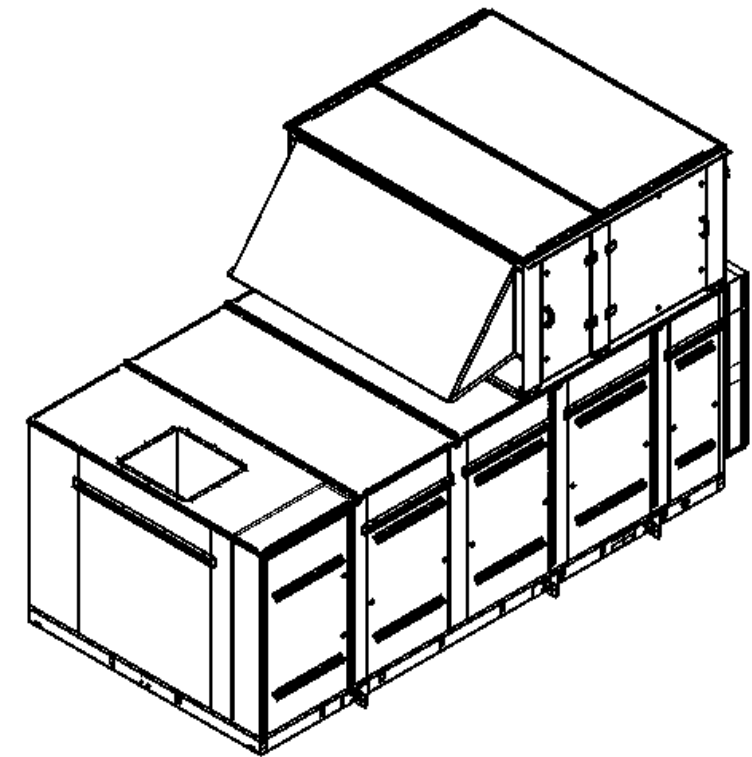
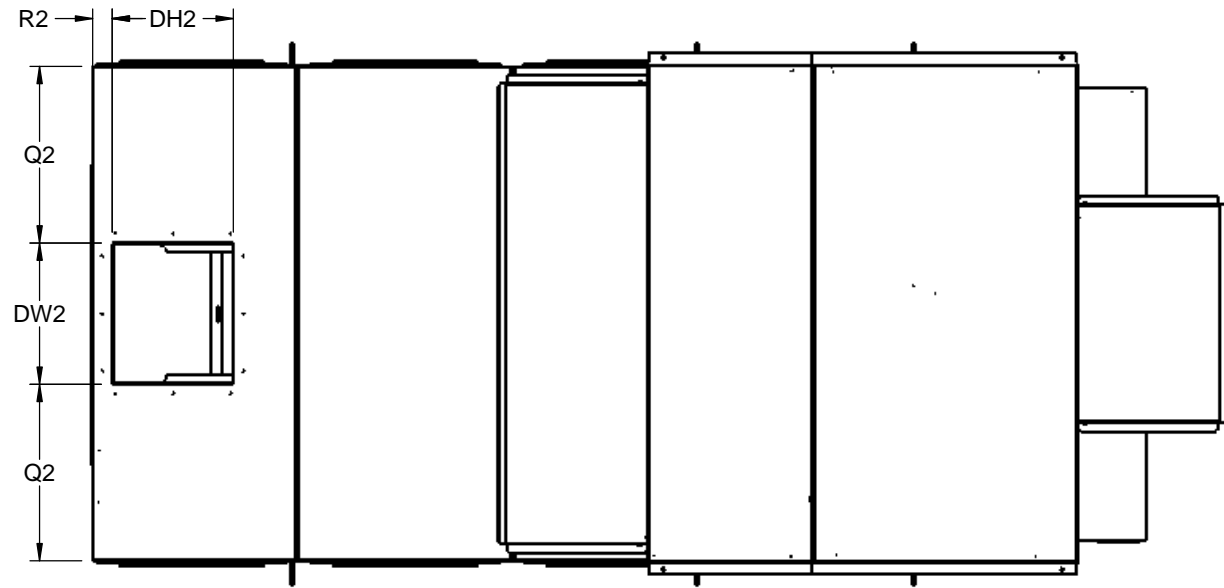
18 TON					20 TON					24 TON					30 TON				
BLOWER	DH1	DW1	R1	Q1	BLOWER	DH1	DW1	R1	Q1	BLOWER	DH1	DW1	R1	Q1	BLOWER	DH1	DW1	R1	Q1
ATLI 15-11	16	14 7/8	14 1/4	31 1/4	ATLI 15-11	16	14 7/8	14 1/4	31 1/4	ATLI 18-13	18 7/8	17 1/2	16 3/8	30	ATLI 18-18	18 7/8	22 1/8	16 3/8	27 5/8
ATLI 18-13	18 7/8	17 1/2	16 3/8	30	ATLI 18-13	18 7/8	17 1/2	16 3/8	30	ATLI 18-18	18 7/8	22 1/8	16 3/8	27 5/8	ATLI 20-15	25 1/4	20 1/4	16 3/8	28 5/8
ATZAF 18-18	18 7/8	22 1/8	16 3/8	27 5/8	ATZAF 18-18	18 7/8	22 1/8	16 3/8	27 5/8	ATZAF 20-20	25 1/4	25 1/4	16 3/8	26 1/8	ATZAF 20-20	25 1/4	25 1/4	16 3/8	26 1/8
ATZAF 20-20	25 1/4	25 1/4	16 3/8	26 1/8	ATZAF 20-20	25 1/4	25 1/4	16 3/8	26 1/8	ATZAF 22-22	28 1/4	28 1/4	17 7/8	24 5/8	ATZAF 25-25	31 3/4	31 3/4	19 3/8	22 7/8
ATZAF 22-22	28 1/4	28 1/4	17 7/8	24 5/8	ATZAF 22-22	28 1/4	28 1/4	17 7/8	24 5/8	ATZAF 25-25	31 3/4	31 3/4	19 3/8	22 7/8					



Desert Aire has a policy of continuous product and quality improvement. Specifications and dimensions are subject to change without notice. This drawing and information contained herein are the exclusive property of the Desert Aire Corporation. Any use detrimental to the interests of Desert Aire is prohibited.	All Dimensions in Inches All Angles 90° All outside corners 0.125" fillet Unless Otherwise Specified	Tolerance Unless Otherwise Specified X.X ±.125 X.XX ±.060 X.XXX ±.030 Angles ±1°	N120 W18485 FREISTADT RD GERMANTOWN, WI 53022 Tel: (262) 946-7400 Fax: (262) 946-7401
ALL DIMENSIONS ARE IN INCHES FRACTIONAL TOLERANCE ± 1/8"	Third Angle Projection	Sheet: 4/7 Scale: NTS	Page Title: END SUPPLY Rev. 0 Drawing Number: G900-001

G900-001

18 TON						20 TON						24 TON						30 TON					
BLOWER	DH2	DW2	R2		Q2	BLOWER	DH2	DW2	R2		Q2	BLOWER	DH2	DW2	R2		Q2	BLOWER	DH2	DW2	R2		Q2
			OVER	AWAY					OVER	AWAY					OVER	AWAY					OVER	AWAY	
ATLI 15-11	16	14 7/8	2 1/8	9 3/4	31 1/4	ATLI 15-11	16	14 7/8	2 1/8	9 3/4	31 1/4	ATLI 18-13	18 7/8	17 1/2	2 1/8	11 7/8	30	ATLI 18-18	18 7/8	22 1/8	2 1/8	11 7/8	27 5/8
ATLI 18-13	18 7/8	17 1/2	2 1/8	11 7/8	30	ATLI 18-13	18 7/8	17 1/2	2 1/8	11 7/8	30	ATLI 18-18	18 7/8	22 1/8	2 1/8	11 7/8	27 5/8	ATLI 20-15	25 1/4	20 1/4	1 3/8	11 7/8	28 5/8
ATZAF 18-18	18 7/8	22 1/8	2 1/8	11 7/8	27 5/8	ATZAF 18-18	18 7/8	22 1/8	2 1/8	11 7/8	27 5/8	ATZAF 20-20	25 1/4	25 1/4	1 3/8	11 7/8	26 1/8	ATZAF 20-20	25 1/4	25 1/4	1 3/8	11 7/8	26 1/8
ATZAF 20-20	25 1/4	25 1/4	1 3/8	11 7/8	26 1/8	ATZAF 20-20	25 1/4	25 1/4	1 3/8	11 7/8	26 1/8	ATZAF 22-22	28 1/4	28 1/4	1 3/8	13 3/8	24 5/8	ATZAF 25-25	31 3/4	31 3/4	1 3/8	14 7/8	22 7/8
ATZAF 22-22	28 1/4	28 1/4	1 3/8	13 3/8	24 5/8	ATZAF 22-22	28 1/4	28 1/4	1 3/8	13 3/8	24 5/8	ATZAF 25-25	31 3/4	31 3/4	1 3/8	14 7/8	22 7/8						



Desert Aire has a policy of continuous product and quality improvement. Specifications and dimensions are subject to change without notice. This drawing and information contained herein are the exclusive property of the Desert Aire Corporation. Any use detrimental to the interests of Desert Aire is prohibited.

ALL DIMENSIONS ARE IN INCHES
FRACTIONAL TOLERANCE ± 1/8"

All Dimensions in Inches
All Angles 90°
All outside corners 0.125" fillet
Unless Otherwise Specified



Third Angle Projection

Part weight

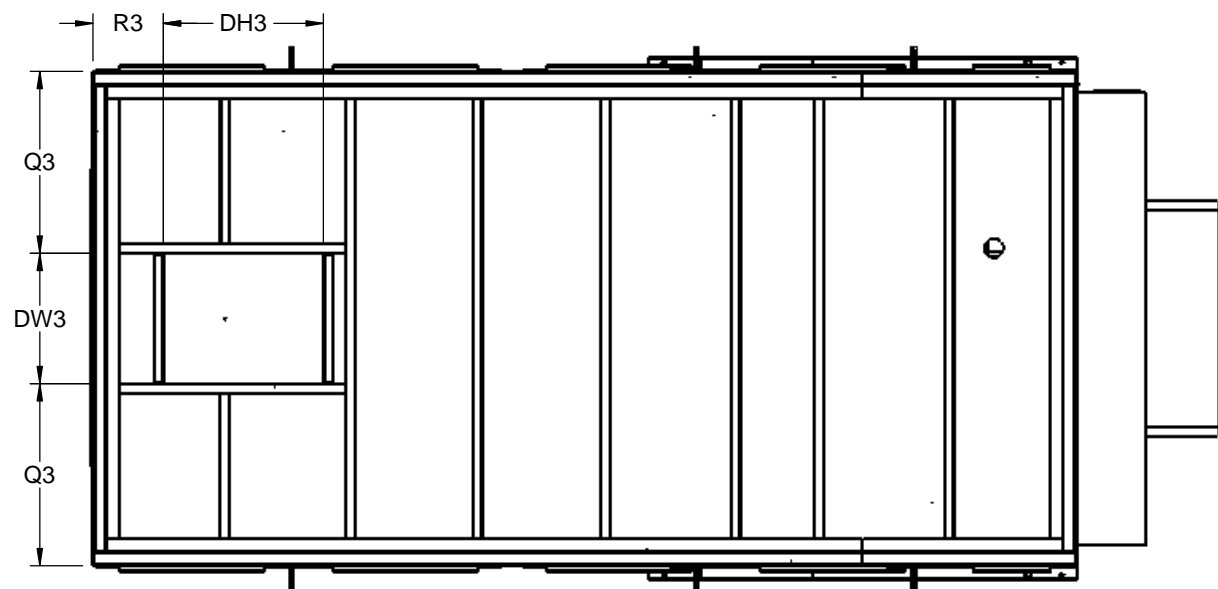
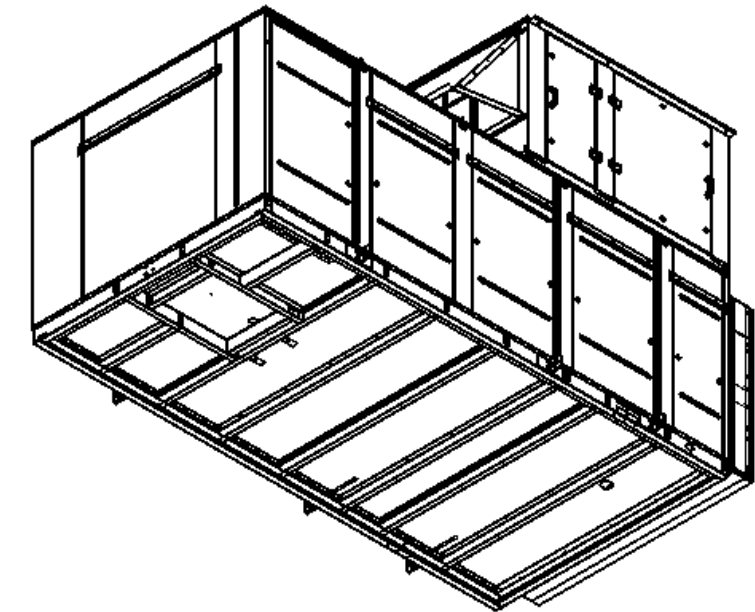
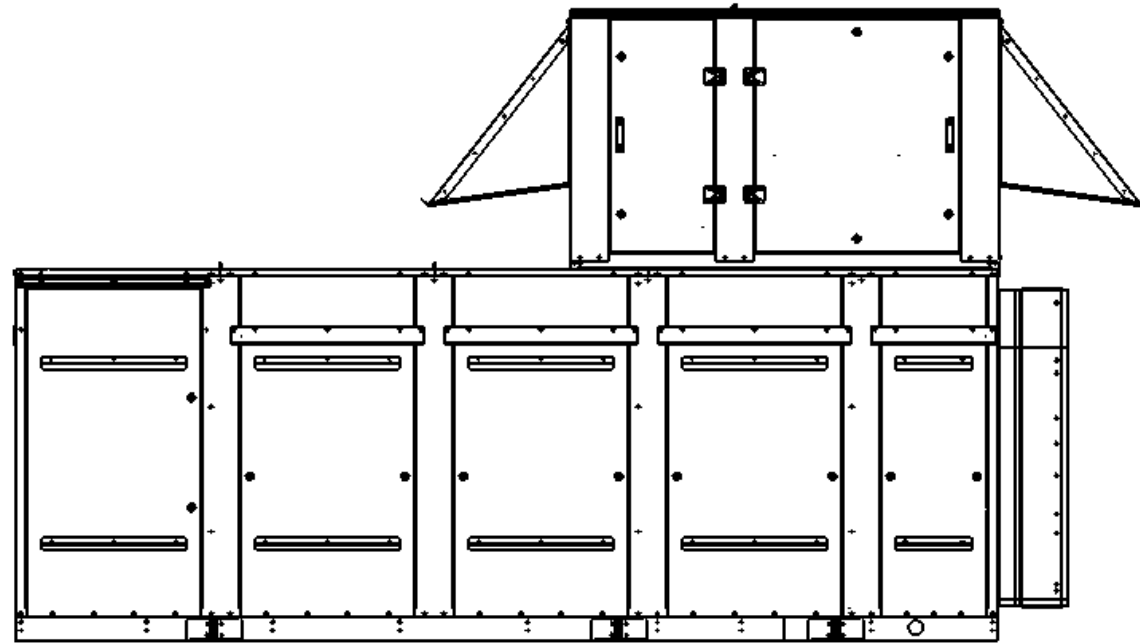
Tolerance Unless
Otherwise Specified
X.X ±.125
X.XX ±.060
X.XXX ±.030
Angles ±1°



N120 W18485 FREISTADT RD
GERMANTOWN, WI 53022
Tel: (262) 946-7400
Fax: (262) 946-7401

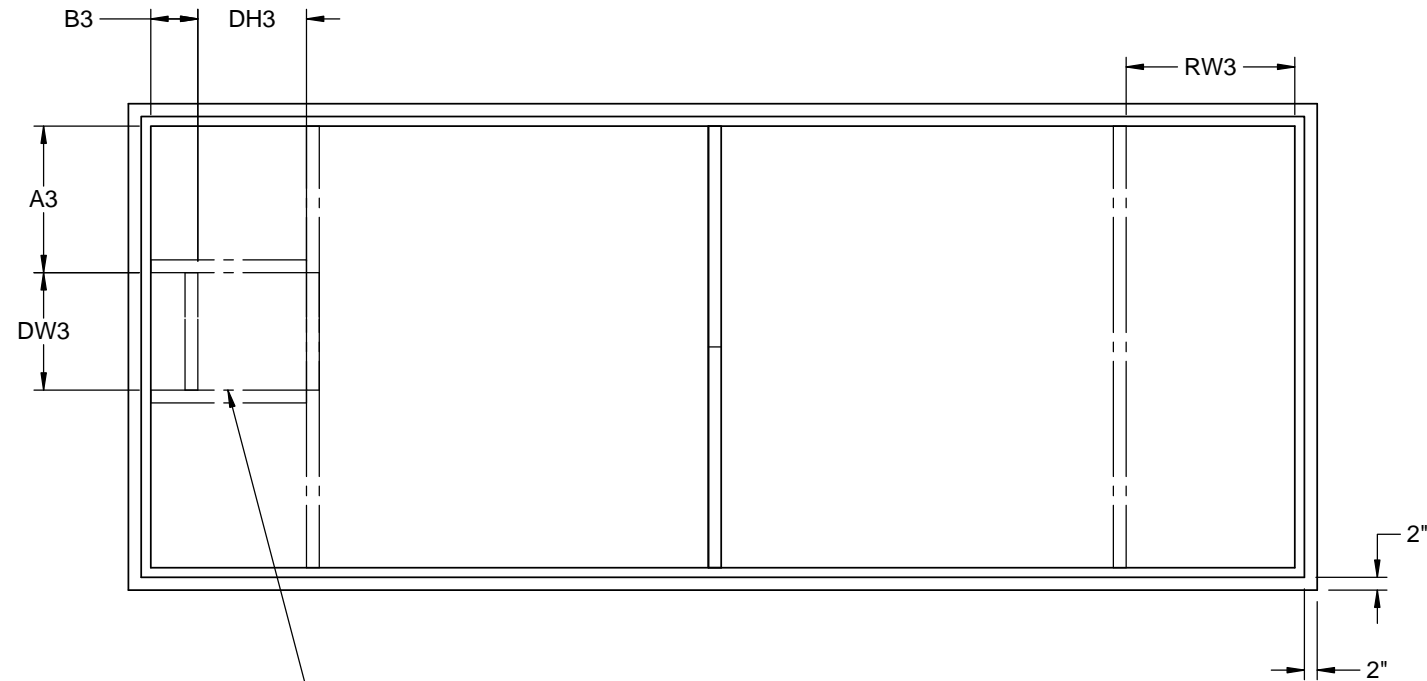
Drawn ASV	Date Released 12/5/2014	Description SA 18-30 TON STANDARD RETURN
Sheet 5/7	Page Title TOP SUPPLY	
Scale NTS	Rev. 0	Drawing Number G900-001

18 TON					20 TON					24 TON					30 TON				
BLOWER	DH3	DW3	R3	Q3	BLOWER	DH3	DW3	R3	Q3	BLOWER	DH3	DW3	R3	Q3	BLOWER	DH3	DW3	R3	Q3
ATLI 15-11	16	14 7/8	9 3/4	31 1/4	ATLI 15-11	16	14 7/8	9 3/4	31 1/4	ATLI 18-13	18 7/8	17 1/2	11 7/8	30	ATLI 18-18	18 7/8	22 1/8	11 7/8	27 5/8
ATLI 18-13	18 7/8	17 1/2	11 7/8	30	ATLI 18-13	18 7/8	17 1/2	11 7/8	30	ATLI 18-18	18 7/8	22 1/8	11 7/8	27 5/8	ATLI 20-15	25 1/4	20 1/4	11 7/8	28 5/8
ATZAF 18-18	18 7/8	22 1/8	11 7/8	27 5/8	ATZAF 18-18	18 7/8	22 1/8	11 7/8	27 5/8	ATZAF 20-20	25 1/4	25 1/4	11 7/8	26 1/8	ATZAF 20-20	25 1/4	25 1/4	11 7/8	26 1/8
ATZAF 20-20	25 1/4	25 1/4	11 7/8	26 1/8	ATZAF 20-20	25 1/4	25 1/4	11 7/8	26 1/8	ATZAF 22-22	28 1/4	28 1/4	13 3/8	24 5/8	ATZAF 25-25	31 3/4	31 3/4	14 7/8	22 7/8
ATZAF 22-22	28 1/4	28 1/4	13 3/8	24 5/8	ATZAF 22-22	28 1/4	28 1/4	13 3/8	24 5/8	ATZAF 25-25	31 3/4	31 3/4	14 7/8	22 7/8					

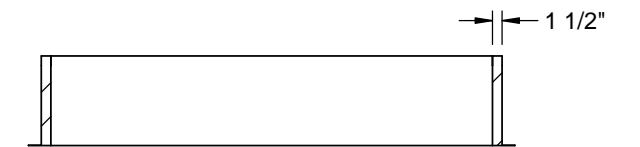
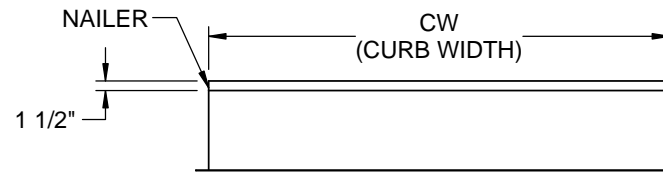
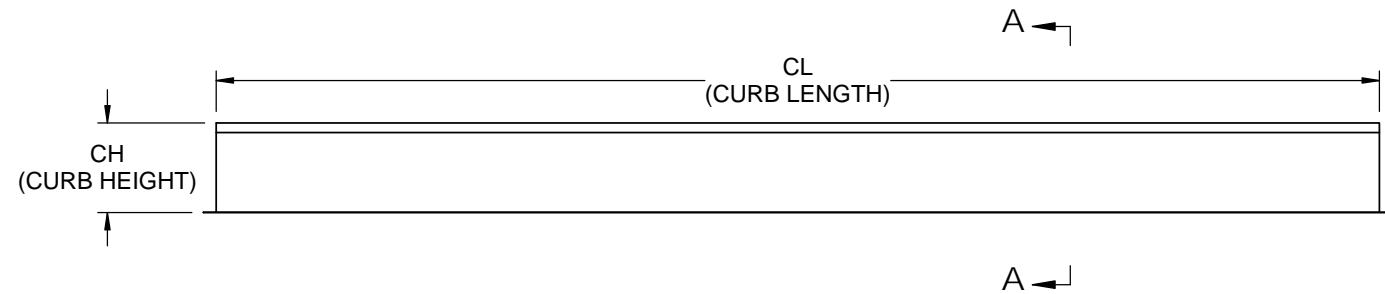


Desert Aire has a policy of continuous product and quality improvement. Specifications and dimensions are subject to change without notice. This drawing and information contained herein are the exclusive property of the Desert Aire Corporation. Any use detrimental to the interests of Desert Aire is prohibited.	All Dimensions in Inches All Angles 90° All outside corners 0.125" fillet Unless Otherwise Specified	Tolerance Unless Otherwise Specified X.X ±.125 X.XX ±.060 X.XXX ±.030 Angles ±1°	N120 W18485 FREISTADT RD GERMANTOWN, WI 53022 Tel: (262) 946-7400 Fax: (262) 946-7401
ALL DIMENSIONS ARE IN INCHES FRACTIONAL TOLERANCE ± 1/8"	Third Angle Projection	Sheet: 6/7 Scale: NTS	Page Title: DOWN SUPPLY Rev. 0 Drawing Number: G900-001

G900-001



CONFIGURATION DEPENDANT
SUPPLY AIR
DUCT CONNECTION



SECTION A-A

UNIT TYPE	CURB DETAILS			DOWN SUPPLY AND / OR DOWN RETURN				
	CURB PN	LENGTH	WIDTH	RW3	DW3	A3	DH3	B3
WITHOUT ENERGY RECOVERY	CB-SWAA-XX	115	72	57 1/2	14 7/8	27 1/8	16	5 3/4
	CB-SWAB-XX	115	72	57 1/2	17 1/2	25 3/4	18 7/8	7 7/8
	CB-SWAC-XX	115	72	57 1/2	22 1/8	23 1/2	18 7/8	7 7/8
	CB-SWAD-XX	115	72	57 1/2	20 1/4	24 3/8	25 1/4	7 7/8
	CB-SWAG-XX	115	72	57 1/2	22 1/8	23 1/2	18 7/8	7 7/8
	CB-SWAH-XX	115	72	57 1/2	25 1/4	21 7/8	25 1/4	7 7/8
	CB-SWAJ-XX	115	72	57 1/2	28 1/4	20 3/8	28 1/4	9 3/8
	CB-SWAK-XX	115	72	57 1/2	31 3/4	18 5/8	31 3/4	10 7/8
	CB-SWAZ-XX	115	72	57 1/2	NO SUPPLY/RETURN DUCT CONNECITON			
WITH ENERGY RECOVERY	CB-SRAA-XX	148 3/8	72	74 1/4	14 7/8	27 1/8	16	5 3/4
	CB-SRAB-XX	148 3/8	72	74 1/4	17 1/2	25 3/4	18 7/8	7 7/8
	CB-SRAC-XX	148 3/8	72	74 1/4	22 1/8	23 1/2	18 7/8	7 7/8
	CB-SRAD-XX	148 3/8	72	74 1/4	20 1/4	24 3/8	25 1/4	7 7/8
	CB-SRAG-XX	148 3/8	72	74 1/4	22 1/8	23 1/2	18 7/8	7 7/8
	CB-SRAH-XX	148 3/8	72	74 1/4	25 1/4	21 7/8	25 1/4	7 7/8
	CB-SRAJ-XX	148 3/8	72	74 1/4	28 1/4	20 3/8	28 1/4	9 3/8
	CB-SRAK-XX	148 3/8	72	74 1/4	31 3/4	18 5/8	31 3/4	10 7/8
	CB-SRAZ-XX	148 3/8	72	74 1/4	NO SUPPLY/RETURN DUCT CONNECITON			

CURB HEIGHT IN INCHES DESIGNATED BY XX IN THE CURB PART NUMBER

DUCT CONNECTIONS FOR DOWN SUPPLY AND/OR DOWN RETURN

NOTES:
REFER TO SHEET 1 FOR GENERAL NOTES

CURBS 115" IN LENGTH AND LESS ARE SHIPPED AS COMPLETE CURBS, GREATER THAN 115" ARE SHIPPED KNOCKED DOWN.

NUMBER AND LOCATION OF CROSS SUPPORT(S) IS DEPENDANT UPON THE GAUGE OF MATERIAL USED TO CONSTRUCT THE CURB, DUCT SUPPORT CONFIGURATION, LENGTH OF CURB, AND WIDTH OF CURB. INSTALLATION INSTRUCTIONS INCLUDED WITH CURB SHIPMENT INDICATE THE REQUIRED POSITION FOR FIELD ASSEMBLED CURBS.

Desert Aire has a policy of continuous product and quality improvement. Specifications and dimensions are subject to change without notice. This drawing and information contained herein are the exclusive property of the Desert Aire Corporation. Any use detrimental to the interests of Desert Aire is prohibited.

All Dimensions in Inches
All Angles 90°
All outside corners 0.125" fillet
Unless Otherwise Specified

Tolerance Unless Otherwise Specified
X.X ±.125
X.XX ±.060
X.XXX ±.030
Angles ±1°

DESERT AIRE
N120 W18485 FREISTADT RD
GERMANTOWN, WI 53022
Tel: (262) 946-7400
Fax: (262) 946-7401

Third Angle Projection

Part weight

Drawn	ASV	Date Released	12/5/2014	Description	SA 18-30 TON STANDARD RETURN
Sheet	7/7		Page Title		
Scale	NTS		Rev.	0	
Drawing Number			G900-001		

ALL DIMENSIONS ARE IN INCHES
TOLERANCE ± 1/8"