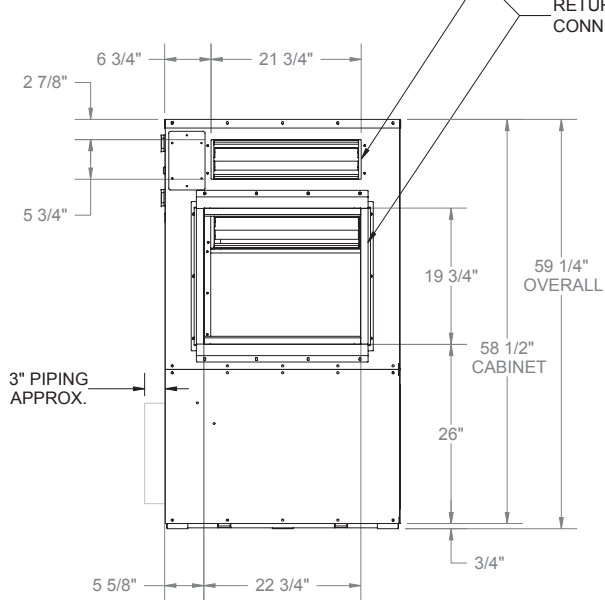
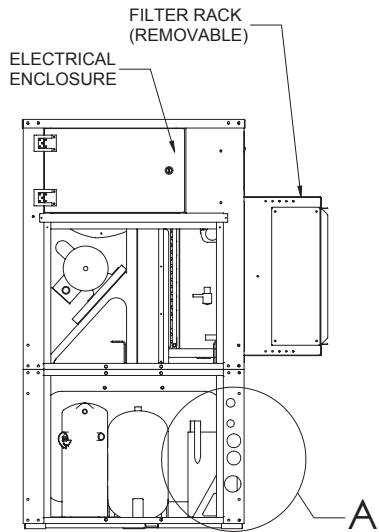
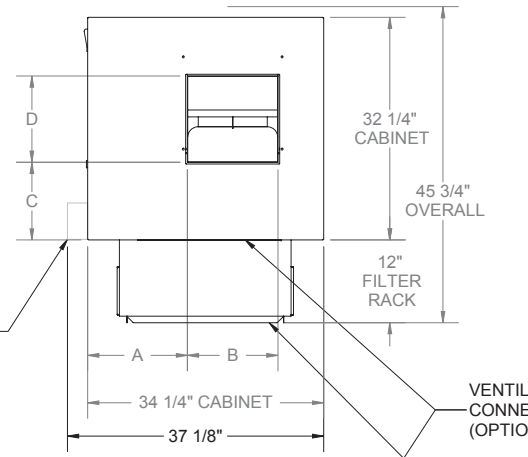
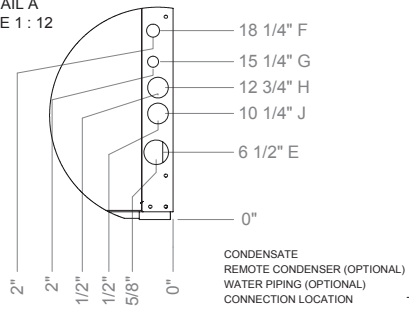


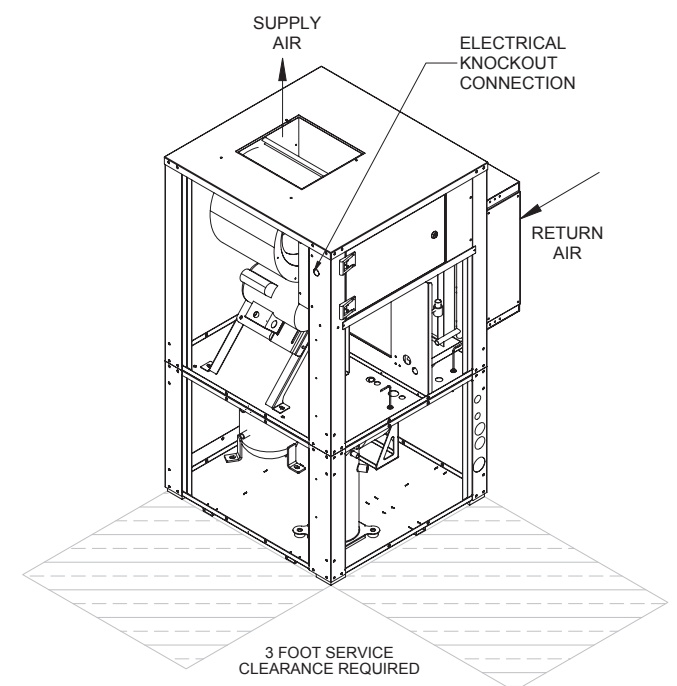
GA - LV ASSEMBLIES

DETAIL A  
SCALE 1 : 12



DUCT OPENING DIMENSIONS

		TOP	OPENING	TOP	OPENING	HORIZ	HORIZ	FIELD PIPING DIMENSIONS				
		DIM	WIDTH	DIM	HEIGHT	DIM	DIM	COND	REFRIG	REFRIG	WATER	WATER
		A	B	C	D	X	Y	DRAIN	OUTLET	INLET	OUTLET	INLET
		ESP	BLOWER					DIM	DIM	DIM	DIM	DIM
		1/2", 1", 1-1/2"	110-10R	14	11	6	14	E	F	G	H	J
CAB 22: LV03		1/2", 1", 1-1/2"	110-10R	14	11	6	14	1	5/8	1/2	1	1



REV.	DESCRIPTION	DATE	Initials	ECN #
6	ADDED LV DUCT HEATER PAGE	6/2/2014	ASV	2346
5	CORRECTED REV. BLOCK IN TITLE BLOCK.	10/8/2010	MHB	1655R1
4	ADDED OMITTED DIMENSIONS AND CORRECTED WCC PIPING LOCATIONS.	10/7/2010	MHB	1655
3	ADDED PIPING TO VIEWS AND TABLES. CHANGED TO FRACTIONAL DIMENSIONS.	6/29/2010	MHB	1639

This drawing and information contained herein are the exclusive property of the Desert Aire Corporation. Any use detrimental to the interests of Desert Aire is prohibited.

All Dimensions in Inches  
All Angles 90°  
All outside corners 0.125" fillet  
Unless Otherwise Specified

Tolerance Unless Otherwise Specified  
X.X ±.125  
X.XX ±.060  
X.XXX ±.030  
Angles ±1°

Drawn: RP, Date Released: 4/17/2009, Description: LV VERTICAL EXPERTAIRE

Third Angle Projection

ALL DIMENSIONS ARE IN INCHES  
TOLERANCE ± 1/8"

Scale: 1:18, Rev: 6, Page Title: LV 3-TON VERT, Drawing Number: GA - LV ASSEMBLIES

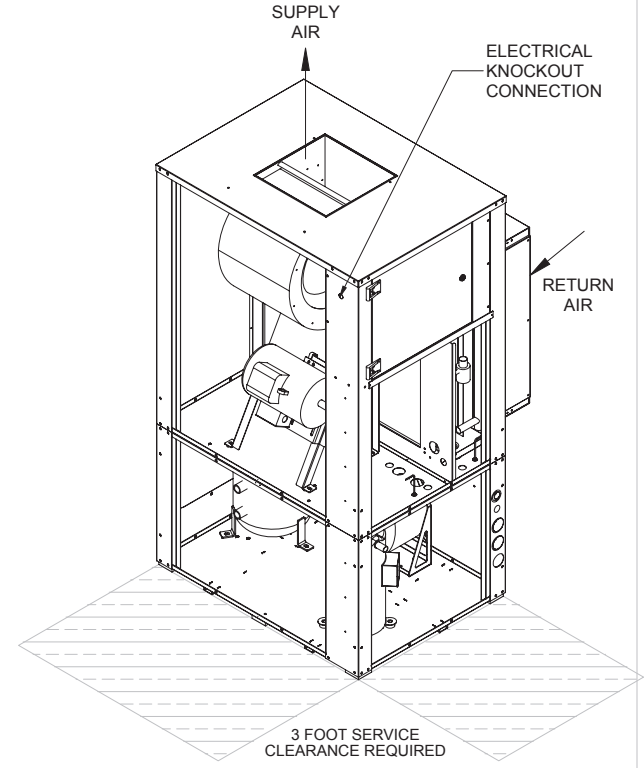
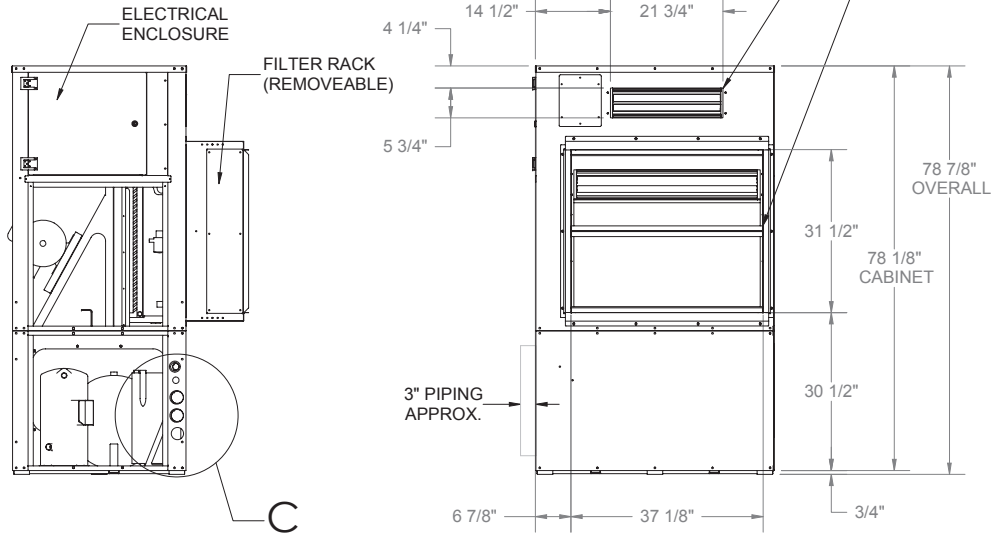
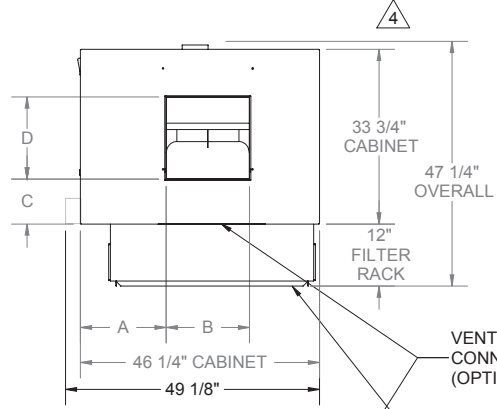
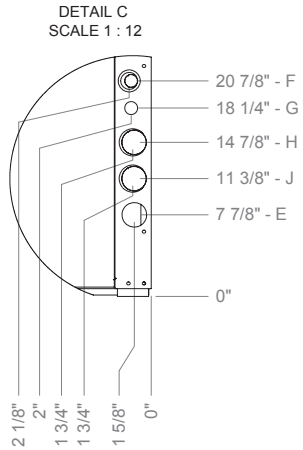
DESSERT AIRE  
N120 W18485 Freistadt Rd.  
Germantown, WI 53022  
Tel: (262) 946-7400  
Fax: (262) 946-8501

LV EXPERT AIRE FILTER INFORMATION						
CABINET	TONS	FILTER RACK	FILTER SIZE	QTY	4" FILTER	1" DEACTIVATOR
22	3	372-124-001	20x25	1	870-079	872-003

DUCT OPENING DIMENSIONS

FIELD PIPING DIMENSIONS

	ESP	BLOWER	TOP		TOP		HORIZ		COND DRAIN DIM E	REFRIG OUTLET DIM F	REFRIG INLET DIM G	WATER OUTLET DIM H	WATER INLET DIM J
			DIM A	DIM B	DIM C	DIM D	DIM X	DIM Y					
CAB 36: LV04	1/2", 1", 1-1/2"	110-10R	16 13/16	13 1/4	12 5/8	12 5/8	10 1/8	18 1/16	1	5/8	1/2	1	1
CAB 36: LV05	1/2", 1", 1-1/2"	120-12R	16 13/16	15 3/4	12	13 5/8	9 5/8	16 13/16					
CAB 36: LV06	1/2", 1", 1-1/2"												
CAB 36: LV08	1", 1-1/2"	150-12R	16 9/16	16 1/4	10	16	8 7/16	16 7/16	1 1/8	5/8	1 1/4	1 1/4	
CAB 36: LV08	1/2"								1 1/8	5/8	1 1/4	1 1/4	



This drawing and information contained herein are the exclusive property of the Desert Aire Corporation. Any use detrimental to the interests of Desert Aire is prohibited.

All Dimensions in Inches  
All Angles 90°  
All outside corners 0.125" fillet  
Unless Otherwise Specified

Tolerance Unless Otherwise Specified  
X.X ±.125  
X.XX ±.060  
X.XXX ±.030  
Angles ±1°

Desert Aire  
N120 W18485 Freistadt Rd.  
Germantown, WI 53022  
Tel: (262) 946-7400  
Fax: (262) 946-8501

Drawn: RP, Date Released: 4/17/2009, Description: LV VERTICAL EXPERTAIRE

Third Angle Projection

ALL DIMENSIONS ARE IN INCHES  
TOLERANCE ± 1/8"

Page Title: LV 4-8 TON VERT

Scale: 1:24, Rev: 6, Drawing Number: GA - LV ASSEMBLIES

LV EXPERT AIRE FILTER INFORMATION						
CABINET	TONS	FILTER RACK	FILTER SIZE	QTY	4" FILTER	1" DEACTIVATOR
36	04, 05, 06 & 08	372-124-003	16x20	4	870-080	872-005