

CURB OPTIONS

Introduction

Desert Aire offers as part of its Aura Series the matching curb for its dedicated outside air systems. Our two piece version is offered to provide the customer with an option to shield compressor sound from entering the space. Curb heights are available in 8", 12" and 14".

Base & Pedestal Options

Desert Aire has designed this curb to isolate the compressors from the opening in the roof. The pedestal creates a zone that is open to the outdoors rather than having the section under the condenser section open to the zone below. The installing contractor must align the two pieces at the jobsite and flash them independently.

- 18 ga. Galvanized steel construction.
- Knock down curb.
- Prime painted.
- Pressure treated 2x2 wood nailer.
- 1-1/2" thick 3lb/ft³ fiberglass perimeter insulation.
- Internal angle reinforcement.

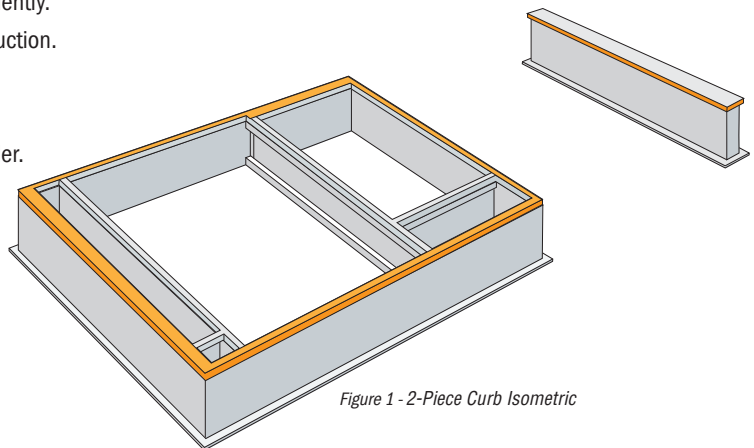


Figure 1 - 2-Piece Curb Isometric

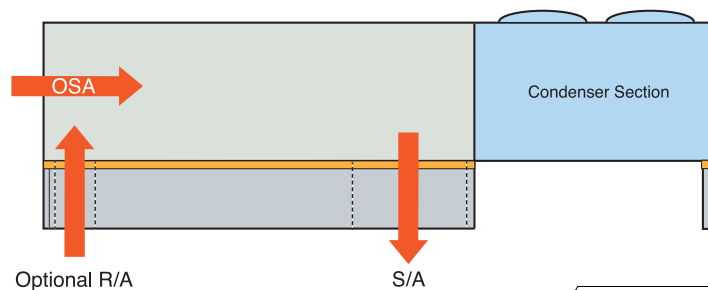


Figure 2 - 2-Piece Curb w/Unit

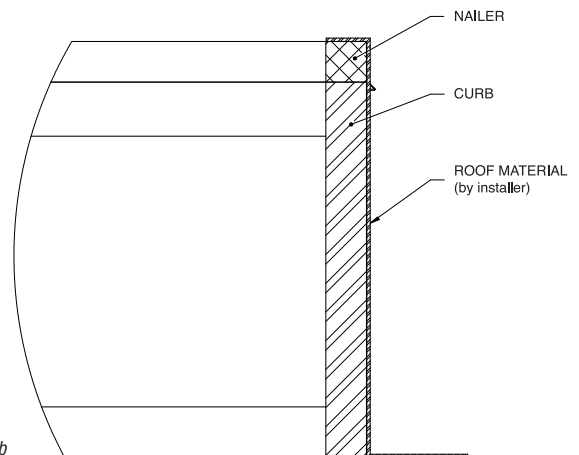


Figure 3 - Cross Section of Curb

Full Perimeter Option

The full perimeter curb option has a built in drain pan under the condensing section to allow any water that penetrates the unsealed base to be quickly removed. The drain pan also helps to reduce any noise from the compressors by adding one more layer between them and the zone below.

- 14 ga. Galvanized steel construction.
- Welded one piece curb.
- Prime painted after fabrication.
- Pressure treated 1x4 wood nailer.
- The curb has 1-1/2" thick 3lb/ft³ fiberglass perimeter insulation.
- The drain pan has 1" thick 3lb/ft³ fiberglass pan insulation.
- Internal angle reinforcement.
- Flashing /drip edge

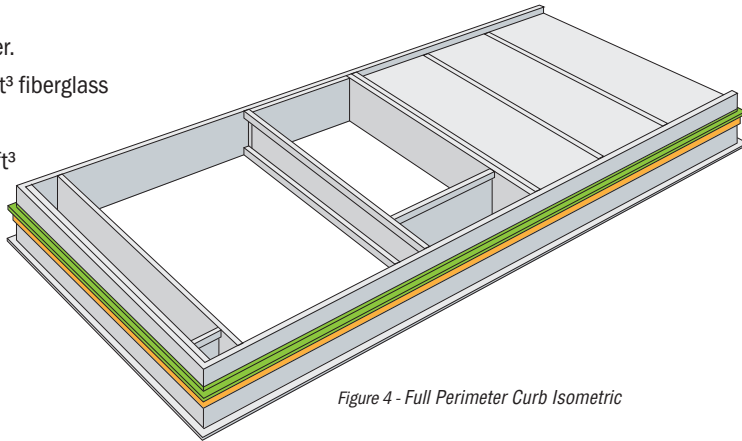


Figure 4 - Full Perimeter Curb Isometric

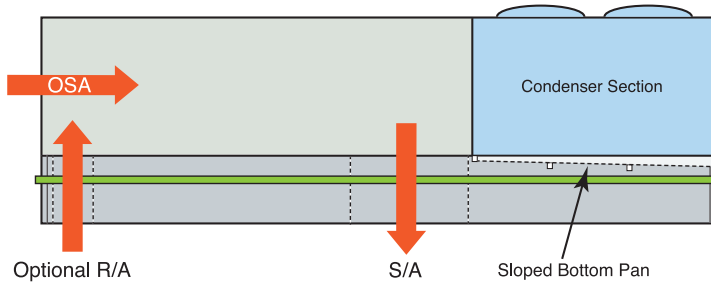


Figure 5 - Full Curb w/Unit

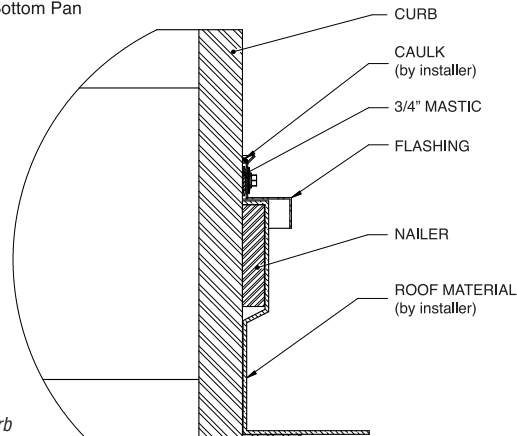


Figure 6 - Cross Section of Curb

AURA CURBS

OPTIMIZING SOLUTIONS THROUGH SUPERIOR DEHUMIDIFICATION TECHNOLOGY

N120 W18485 Friestadt Road, Germantown, WI 53022 sales@desert-air.com

Ph: (262) 946-7400 - www.desert-air.com



WARNING: Cancer and Reproductive Harm - www.P65Warnings.ca.gov