

REMOTE CONDENSERS

REMOTE CONDENSERS

Desert Aire's remote condensers are designed with a commitment to excellence that will provide you with years of reliable service.

All Desert Aire equipment is consistently manufactured to high performance standards for efficient, reliable service and they are easy to install.

HIGH PERFORMANCE, DURABILITY AND EFFICIENCY

COILS - Round tube coils with enhanced tubing, advanced sinusoidal fin design for optimal performance. Extensive use of 5/16" and 3/8" diameter tubing keeps refrigerant charge to a minimum.

Our optional coil coating provides a uniform, flexible coating over the entire coil with negligible impact on thermal conductivity. 100% coverage is assured by the application process, even in the hard to reach center portions of the coil, without bridging between the fins. We recommend the application anytime a remote condenser is located near a salt water coast or a potential source of corrosive airborne particles.

ELEVATION CORRECTION FACTORS

Elevation above sea level has an effect on the performance of air-cooled condensers. The unit capacities shown in the Performance Table must be multiplied by the correction factors in Table 1 to correct for various elevations.

ELEVATION (FEET)	1,000	2,000	3,000	4,000	5,000	6,000	7,000
CORRECTION FACTOR	0.98	0.96	0.93	0.91	0.89	0.87	0.85

Table 1



EASY INSTALLATION

After uncrating, the condenser legs pivot from their transport to installation position and the condenser easily lifts into place with the use of eye bolts or brackets located on top of the unit. At ground level, the condenser can rest on a solid surface such as a concrete slab. On roofs, the unit should be placed on channels or an I-beam frame.

Desert Aire has a remote condenser for every application. Our complete line of direct-drive condensers complements the wide range of our dehumidification offerings.

The RCD range of condensers is sized up to 14.6 MBH/°F of heat rejection. The EC fans are controlled using PID to maintain a condenser pressure set point. Control panels are rated for 65 kA SCCR when power is supplied with class J fuses.

STANDARD FEATURES

- Powder coated galvanized steel cabinet
- Folding legs, for compact shipping and easy installation
- Terminal block for power connection

OPTIONAL FEATURES

- Coated coil
- Vertical orientation with horizontal airflow
- Non-fused or fused disconnect

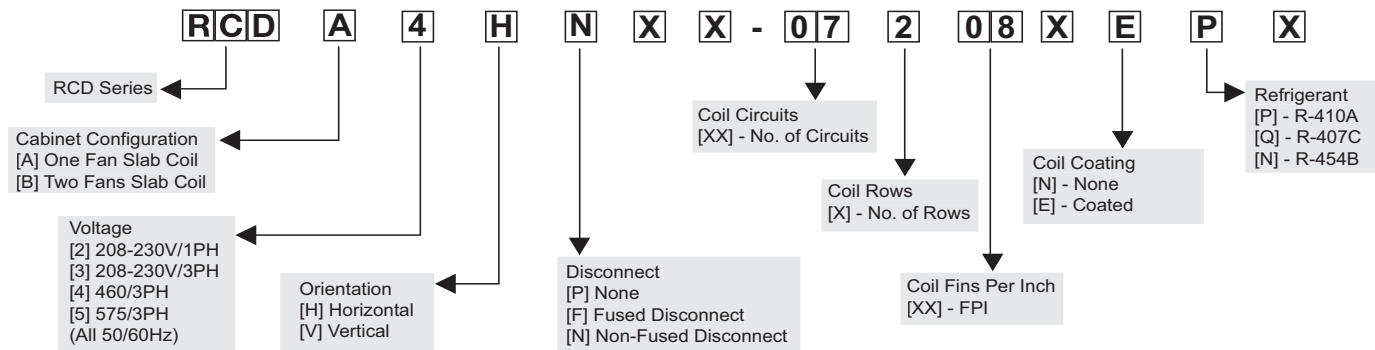
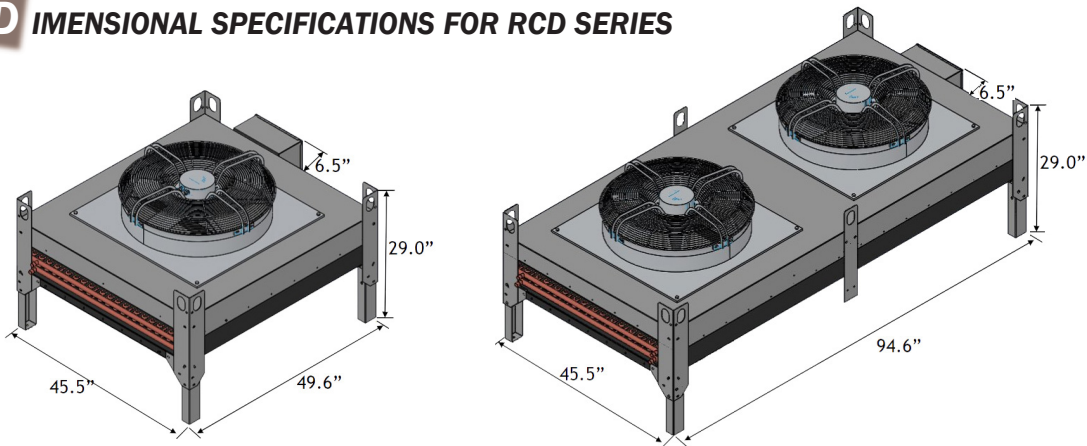


Figure 1 - RCD Model Matrix

D DIMENSIONAL SPECIFICATIONS FOR RCD SERIES



		RCDA** NN03108***	RCDA** NN07208***	RCDA** NN18414***	RCDB** NN30414***	
DIMENSIONS	Connection ¹ Size (in)	Discharge	7/8	7/8	7/8	7/8
		Liquid	7/8	7/8	7/8	7/8
	Fan Layout	1x1	1x1	1x1	1x2	
	Mounting Holes (in)	42.9 x 46.1 (Φ3/8)	42.9 x 46.1 (Φ3/8)	42.9 x 46.1 (Φ3/8)	42.9 x 91.3 (Φ3/8)	
	Approximate Weight (lbs) ²	377	384	397	684	
	dBA ³	40-68	40-68	40-68	40-69	

¹ Connection size does not indicate line size. Consult IO Manual.

² Add 49lbs for 575V applications.

³ Listed dBA values are sound ratings for the maximum number of fans in operation per RC at 3m in accordance with AHRI standard 370-2001. Range indicates maximum and minimum sound intensities across each RC's application range.

ELECTRICAL SPECIFICATIONS AND PERFORMANCE TABLE FOR RCD SERIES

			RCDA**NN03108***	RCDA**NN07208***	RCDA**NN18414***	RCDB**NN30414***
ELECTRICAL	208-230V 1PH 60Hz	FLA	6.9	6.9	6.9	2 x 6.9
		MCA	8.6	8.6	8.6	15.5
		MOPD ¹	15.0	15.0	15.0	20.0
		Unit kW	0.75	0.75	0.75	1.5
	208-230V 3PH 60Hz	FLA	4.3	4.3	4.3	2 x 4.3
		MCA	5.4	5.4	5.4	9.7
		MOPD ¹	9.0	9.0	9.0	12.0
		Unit kW	1.1	1.1	1.1	2.2
	460V 3PH 60Hz	FLA	4.3	5.2	5.2	2 x 5.2
		MCA	5.4	6.5	6.5	11.7
		MOPD ¹	9.0	10.0	10.0	15.0
		Unit kW	1.1	3.2	3.2	6.4
	575V 3PH 60Hz	FLA	4.3	5.2	5.2	2 x 5.2
		MCA	7.5	7.5	7.5	11.3
		MOPD ¹	12.0	12.0	12.0	20.0
		Unit kW	1.1	3.2	3.2	6.4

¹ MOPD - Maximum Overcurrent Protection Device.

			RCDA**NN03108***	RCDA**NN07208***	RCDA**NN18414***	RCDB**NN30414***
NOMINAL PERFORMANCE (MBH/°F)	208-230V 1PH	R-410A	1.55	2.81	5.50	11.12
		R-407C	1.55	2.81	5.50	11.12
		R-454B	1.49	2.69	5.26	10.62
	208-230V 3PH	R-410A	1.64	2.94	5.80	11.73
		R-407C	1.64	2.94	5.80	11.73
		R-454B	1.57	2.81	5.55	11.20
	460 & 575V 3PH	R-410A	1.64	3.97	8.17	14.58
		R-407C	1.64	3.97	8.17	14.58
		R-454B	1.57	3.81	7.82	15.62

RC8 SERIES™

by Desert Aire

Desert Aire's RC8 range of condensers is sized up to 34.8 MBH/°F of heat rejection. Swept fan blades are designed as part of the direct drive motor. The RC8 series has fully enclosed motor lead raceways to protect wiring. Control panels are rated for 10kA SCCR when power is supplied with class J fuses.

STANDARD FEATURES

- Galvanized G90 cabinet
- All venturi fan panels for energy efficiency and low sound
- Door interrupt disconnect

OPTIONAL FEATURES

- Painted cabinet
- E-coat on coil
- Vertical orientation with horizontal airflow

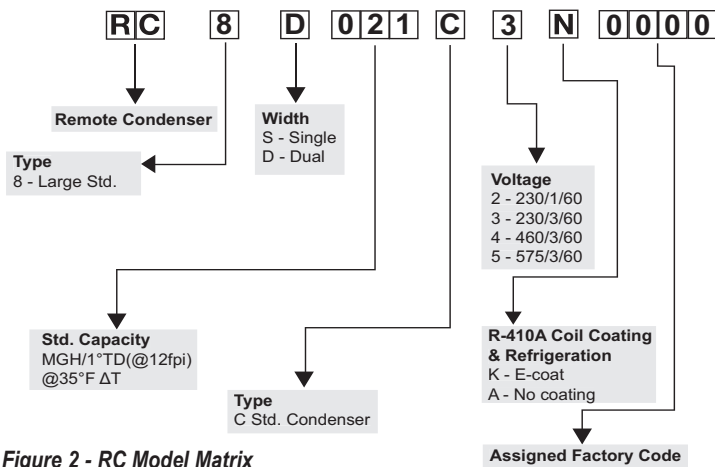


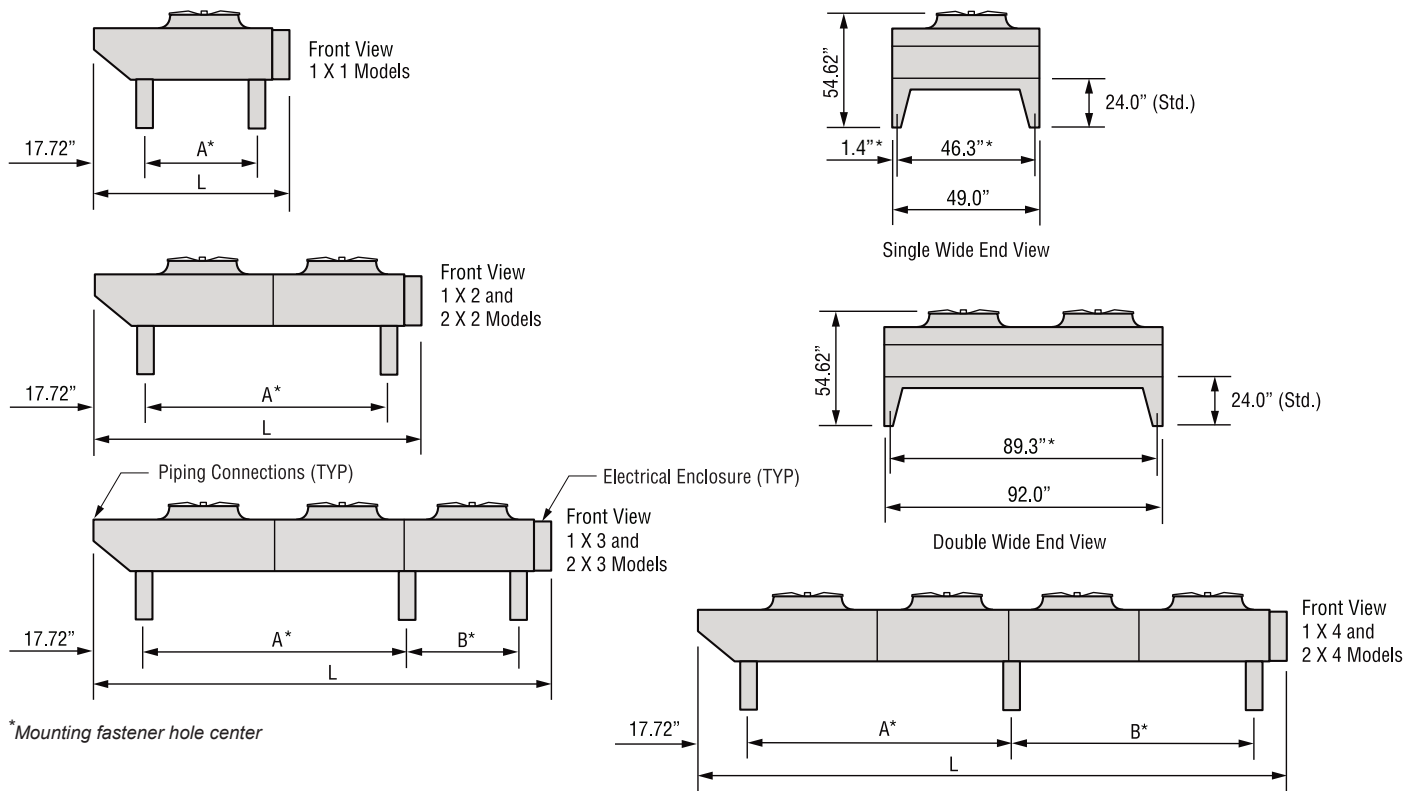
Figure 2 - RC Model Matrix

ELECTRICAL DATA

	Model	208-230/3/60			460/3/60			575/3/60			Unit kW
		FLA	MCA	MOPD ¹	FLA	MCA	MOPD ¹	FLA	MCA	MOPD ¹	
SINGLE WIDTH	RC8S007C	6.8	8.5	15.0	3.6	4.5	15.0	3.4	4.3	15.0	1.4
	RC8S009C	6.8	8.5	15.0	3.6	4.5	15.0	3.4	4.3	15.0	1.4
	RC8S011C	13.6	15.3	20.0	7.2	8.1	15.0	6.8	7.7	15.0	2.7
	RC8S015	13.6	15.3	20.0	7.2	8.1	15.0	6.8	7.7	15.0	2.8
	RC8S018C	13.6	15.3	20.0	7.2	8.1	15.0	6.8	7.7	15.0	2.9
	RC8S022C	20.4	22.1	25.0	10.8	11.7	15.0	10.2	11.1	15.0	4.2
	RC8S026C	20.4	22.1	25.0	10.8	11.7	15.0	10.2	11.1	15.0	4.4
	RC8S030C	27.2	28.9	35.0	14.4	15.3	20.0	13.6	14.5	15.0	5.6
DUAL WIDTH	RC8D022C	27.2	28.9	35	14.4	15.3	20.0	13.6	14.5	15.0	5.5
	RC8D029C	27.2	28.9	35	14.4	15.3	20.0	13.6	14.5	15.0	5.7
	RC8D035C	27.2	28.9	35	14.4	15.3	20.0	13.6	14.5	15.0	5.9
	RC8D044C	40.8	42.5	45.0	21.6	22.5	25.0	20.4	21.3	25.0	8.4
	RC8D052C	40.8	42.5	45.0	21.6	22.5	25.0	20.4	21.3	25.0	8.7
	RC8D060C	54.4	56.1	60.0	28.8	29.7	30.0	27.2	28.1	30.0	11.2
	RC8D070C	54.4	56.1	60.0	28.8	29.7	30.0	27.2	28.1	30.0	11.6
	RC8D081C	68.0	69.7	75.0	36.0	36.9	40.0	34.0	34.9	35.0	14.7
	RC8D091C	68.0	69.7	75.0	36.0	36.9	40.0	34.0	34.9	35.0	15.3
	RC8D107C	81.6	83.3	90.0	43.2	44.1	45.0	40.8	41.7	45.0	18.4

¹ MOPD - Maximum Overcurrent Protection Device

PERFORMANCE AND DIMENSIONAL DATA RC8 SERIES



Model	Std. Capacity	Single Circ. RC. Conn (in) ¹		Dual Circ. RC. Conn (in) ¹		Fan Layout	Overall Length (L) (in)	Mounting Dimensions (in)		Approx. Net Wt. (lbs)	dBA ²
	MBH/1°F	Disch. Line	Liq. Line	Disch. Line	Liq. Line			A	B		
RC8S007C	8.1	1-1/8	7/8	1-1/8	5/8	1 x 1	80.9	48.1	-	529	62.5
RC8S009C	9.3	1-1/8	7/8	1-1/8	3/4	1 x 1	80.9	48.1	-	551	62.5
RC8S011C	12.0	1-3/8	1-1/8	1-3/8	3/4	1 x 2	139.1	106.2	-	710	65.5
RC8S015	15.6	1-3/8	1-1/8	1-3/8	7/8	1 x 2	139.1	106.2	-	829	65.5
RC8S018C	18.0	1-5/8	1-1/8	1-3/8	7/8	1 x 2	139.1	106.2	-	869	65.5
RC8S022C	24.7	1-5/8	1-3/8	1-5/8	1-1/8	1 x 3	197.1	111.1	53.1	1186	67.3
RC8S026C	28.2	1-5/8	1-3/8	1-5/8	1-1/8	1 x 3	197.1	111.1	53.1	1246	67.3
RC8S030C	33.5	1-5/8	1-3/8	1-5/8	1-1/8	1 x 4	255.1	111.1	111.1	1497	68.5
RC8S035C	37.7	1-5/8	1-3/8	1-5/8	1-1/8	1 x 4	255.1	111.1	111.1	1574	68.5
RC8D022C	23.2	1-5/8	1-3/8	1-5/8	1-1/8	2 x 2	139.1	106.2	-	1301	68.5
RC8D029C	30.2	1-5/8	1-3/8	1-5/8	1-1/8	2 x 2	139.1	106.2	-	1537	68.5
RC8D035C	34.8	1-5/8	1-3/8	1-5/8	1-1/8	2 x 2	139.1	106.2	-	1614	68.5
RC8D044C	47.81	1-5/8	1-5/8	1-5/8	1-3/8	2 x 3	197.1	111.1	53.1	2086	70.3
RC8D052C	54.12	1-5/8	1-5/8	1-5/8	1-3/8	2 x 3	197.1	111.1	53.1	2196	70.3
RC8D060C	65.44	-	-	1-5/8	1-3/8	2 x 4	255.1	111.1	111.1	2845	71.5
RC8D070C	73.51	-	-	1-5/8	1-3/8	2 x 4	255.1	111.1	111.1	2999	71.5
RC8D081C	84.53	-	-	1-5/8	1-5/8	2 x 5	313.2	169.2	111.1	3603	72.5
RC8D091C	91.98	-	-	1-5/8	1-5/8	2 x 5	313.2	169.2	111.1	3801	72.5
RC8D107C	110.62	-	-	1-5/8	1-5/8	2 x 6	371.2	116.1	111.1	5040	73.3

¹ Line sizes are based on 50ft. line set / max. 10ft. elevation difference at 35°F ΔT. Line connections may vary with different application ratings. Consult IO Manual.
² Listed DBA values are sound ratings for the maximum number of fans in operation per RC at 3m in accordance with AHRI standard 370-2001.

Location of Remote Condenser System

The equipment is designed for outdoor installation and may be mounted on a roof or concrete slab. The units should be mounted level on roofs, slabs and/or structural supports that are sufficiently strong to support the total equipment operating weight. Consult a professional engineer to determine safe mounting loads.

Sufficient space for uninhibited airflow should be provided when near: overhangs; walls; pits; fences; other equipment; and building air intakes, vents or exhaust fans. Locate the remote condenser far enough away from obstructions to provide adequate clearance for ambient air inlet and discharge to prevent 1) reducing the airflow through the condenser coil; and 2) causing air recirculation which heats the air entering the coil above ambient. See Figure 3 for recommendations. Do not attach ductwork to the coil inlet or outlet. Be sure to allow ample space for maintenance work.

Locate equipment away from occupied spaces to reduce the transmission of objectionable sound and/or vibration. Use refrigerant piping flexible to prevent transmission of noise and vibration into the building. Use isolation hangers to support refrigerant lines. The unit must be secured in its final location. Holes are provided in the mounting legs for this purpose.

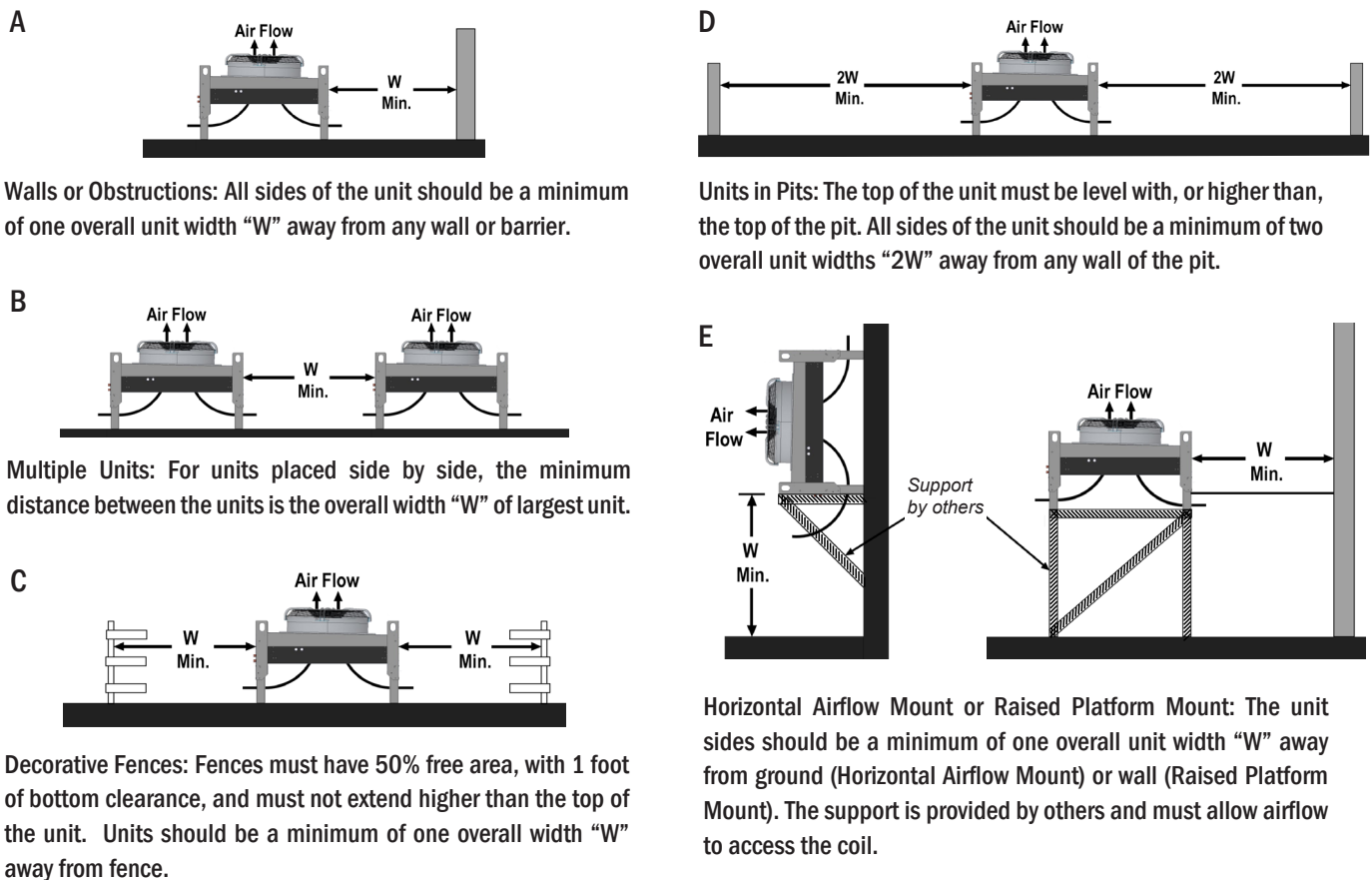


Figure 3 - Space and Location Requirements

OPTIMIZING SOLUTIONS THROUGH SUPERIOR DEHUMIDIFICATION TECHNOLOGY

N120 W18485 Friestadt Road, Germantown, WI 53022 sales@desert-aire.com

Ph: (262) 946-7400 - www.desert-aire.com



WARNING: Cancer and Reproductive Harm - www.P65Warnings.ca.gov