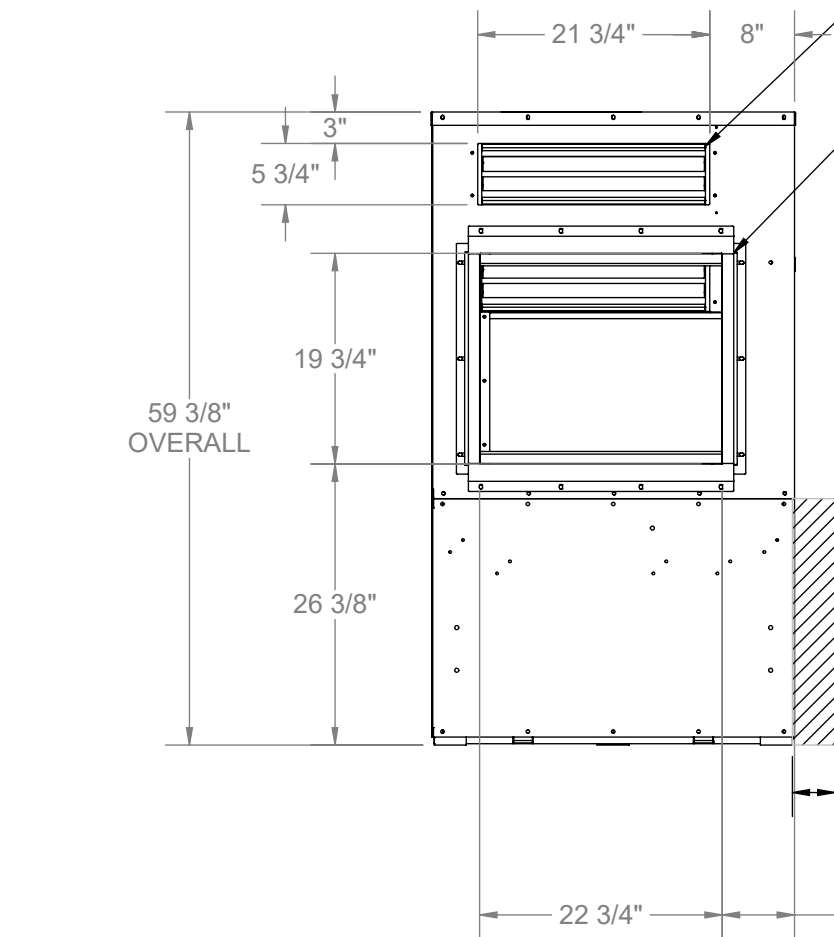
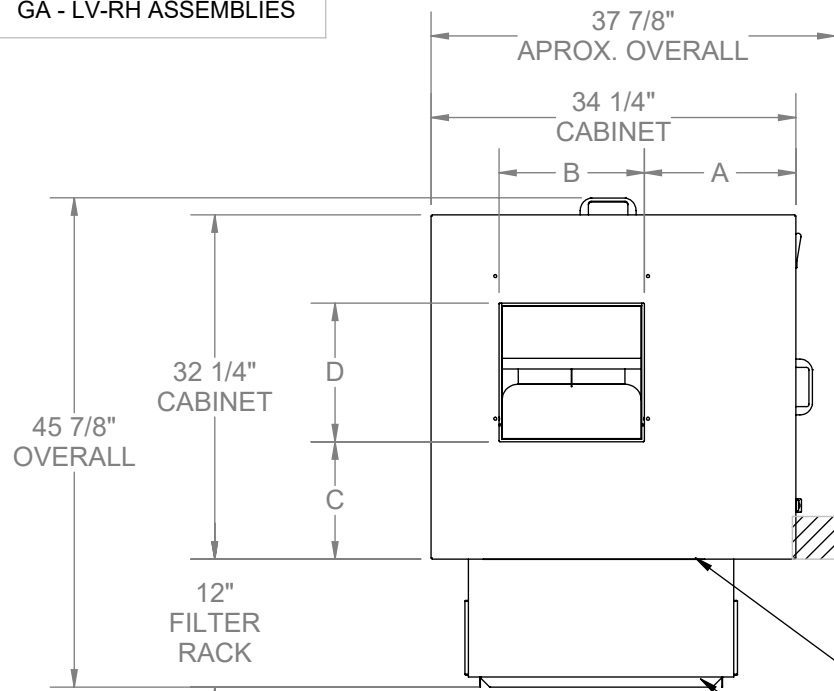
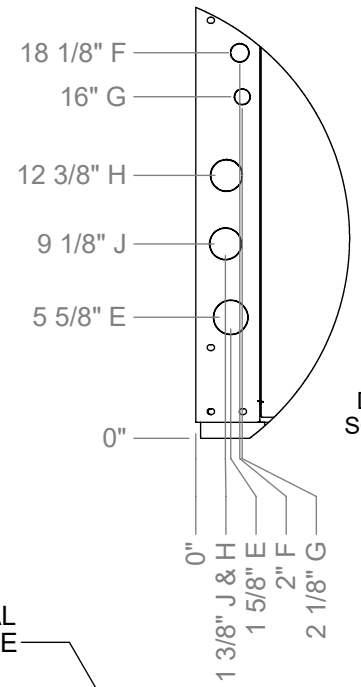


GA - LV-RH ASSEMBLIES



1 WEIGHTS SHOWN REFLECT FULLY OPTIONED ESTIMATED UNIT WEIGHT

			TOP DIM A	OPENING WIDTH DIM B	TOP DIM C	OPENING HEIGHT DIM D	HORIZ DIM X	HORIZ DIM Y	COND DRAIN DIM E	REFRIG OUTLET DIM F	REFRIG INLET DIM G	WATER OUTLET DIM H	WATER INLET DIM J
CAB 22: LV03	ESP	BLOWER	14 1/4	13 1/4	11	12 5/8	6 15/16	14 7/16	1	5/8	1/2	3/4	3/4



CONDENSATE REMOTE CONDENSER (OPTIONAL)
WATER PIPING (OPTIONAL)
CONNECTION LOCATION

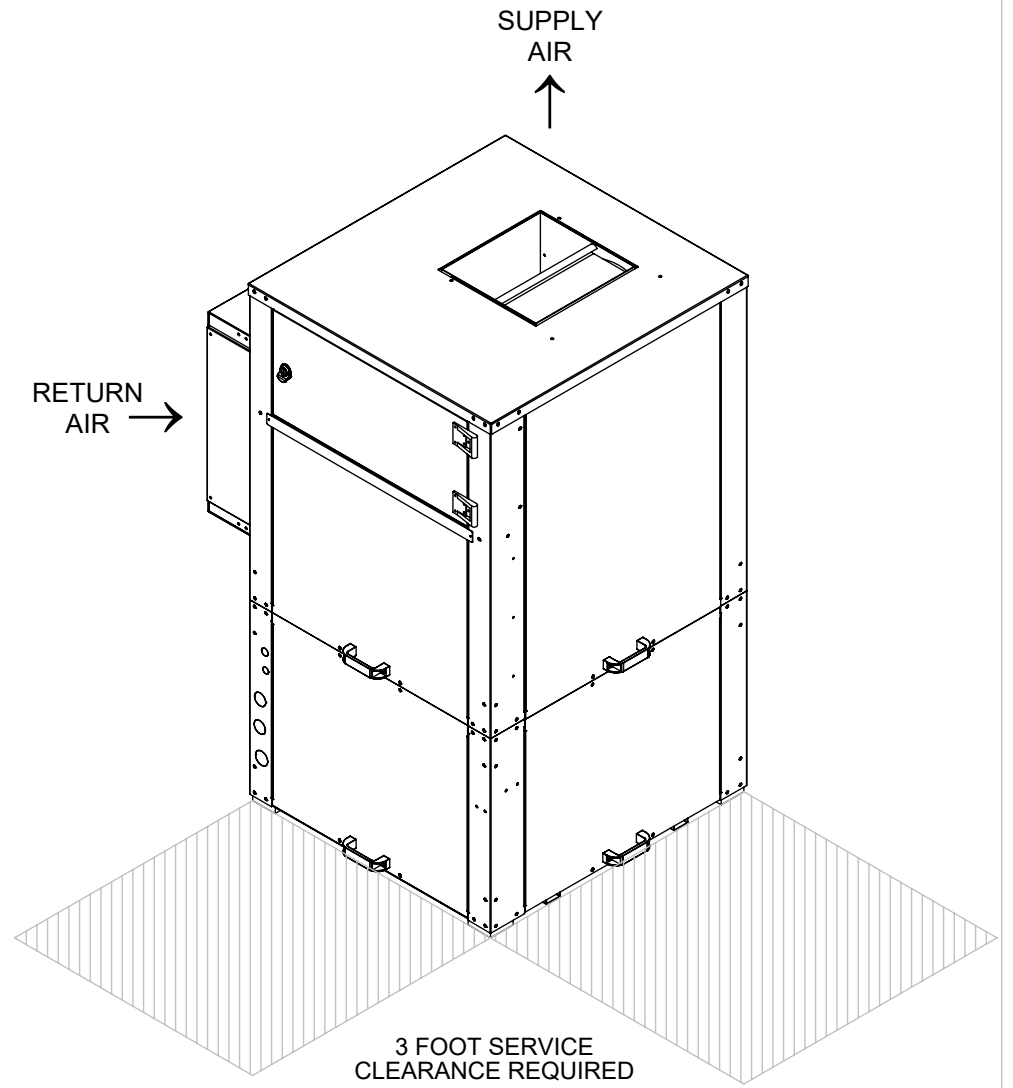
VENTILATION AIR CONNECTION (OPTIONAL)

RETURN AIR CONNECTION

ELECTRICAL ENCLOSURE

FILTER RACK (REMOVABLE)

4\"/>



LV EXPERT AIRE FILTER INFORMATION						
CABINET	TONS	FILTER RACK	FILTER SIZE	QTY	4\"/>	
22	3	372-124-001	20x25	1	870-079	872-003

NOMINAL TONNAGE	WEIGHT (LBS)
LV03	810

This drawing and information contained herein are the exclusive property of the Desert Aire Corporation. Any use detrimental to the interests of Desert Aire is prohibited.

All Dimensions in Inches
All Angles 90°
All outside corners 0.125\"/>

Tolerance Unless Otherwise Specified
X.X ±.125
X.XX ±.060
X.XXX ±.030
Angles ±1°

DESERT AIRE
N120 W18485 Freistadt Rd.
Germantown, WI 53022
Tel: (262) 946-7400
Fax: (262) 946-8501

Third Angle Projection

Drawn: RP
Date Released: 7/13/2023

Description: LV VERTICAL EXPERTAIRE

ALL DIMENSIONS ARE IN INCHES
TOLERANCE ± 1/8\"/>

Part weight

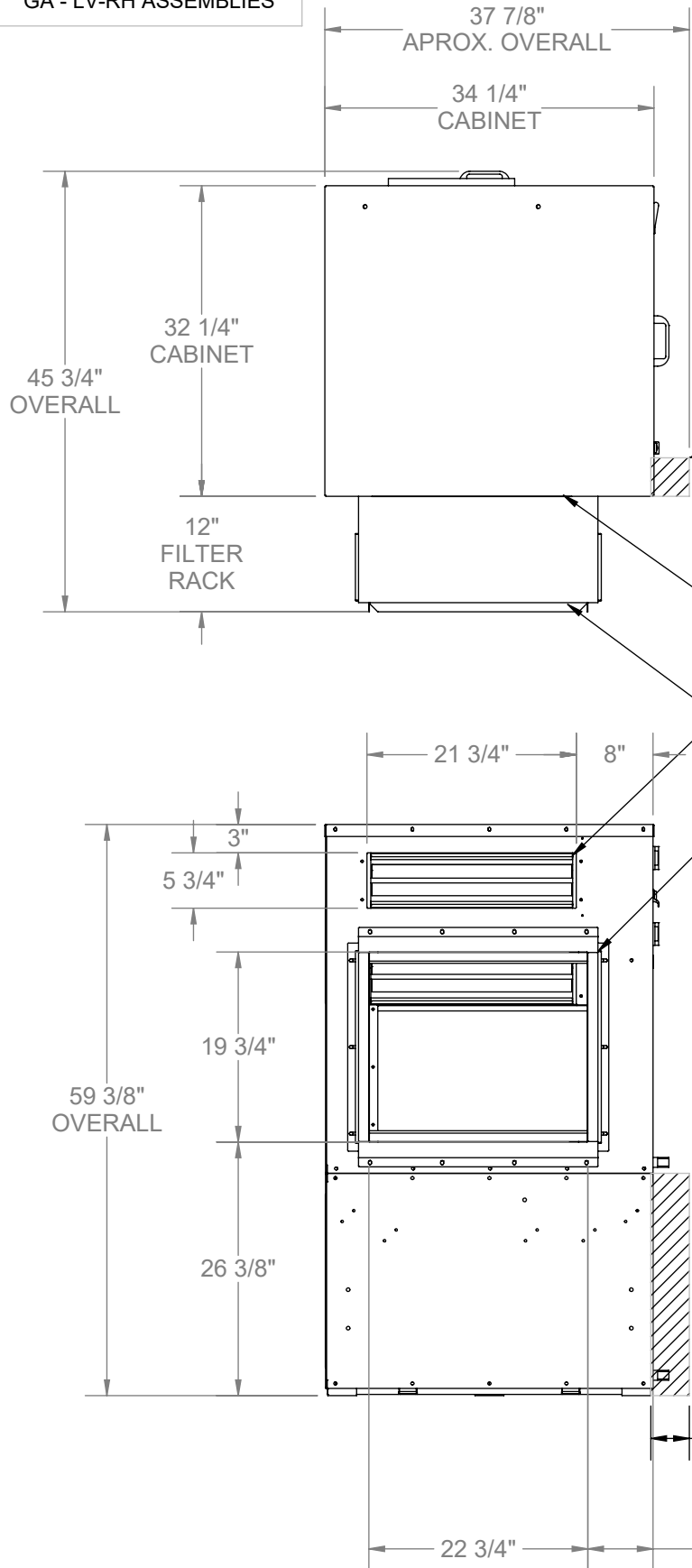
Sheet: 1/5

Page Title: LV 3-TON VERT

Scale: 1:18
Rev: 0

Drawing Number: GA - LV-RH ASSEMBLIES

GA - LV-RH ASSEMBLIES

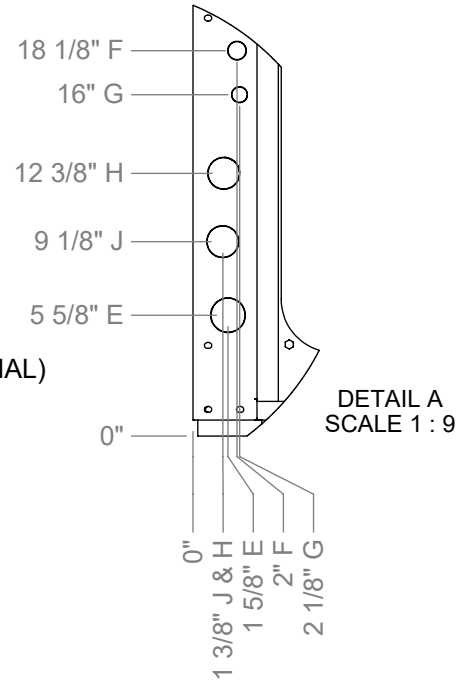


1 WEIGHTS SHOWN REFLECT FULLY OPTIONED ESTIMATED UNIT WEIGHT

LV EXPERT AIRE FILTER INFORMATION						
CABINET	TONS	FILTER RACK	FILTER SIZE	QTY	4" FILTER	1" DEACTIVATOR
22	3	372-124-001	20x25	1	870-079	872-003

NOMINAL TONNAGE	WEIGHT (LBS)
LV03	810

	ESP	BLOWER	TOP DIM A	OPENING WIDTH DIM B	TOP DIM C	OPENING HEIGHT DIM D	HORIZ DIM X	HORIZ DIM Y	COND DRAIN DIM E	REFRIG OUTLET DIM F	REFRIG INLET DIM G	WATER OUTLET DIM H	WATER INLET DIM J
CAB 22: LV03	1/2", 1", 1-1/2"	110-10R	14 1/4	13 1/4	11	12 5/8	6 15/16	14 7/16	1	5/8	1/2	3/4	3/4



CONDENSATE REMOTE CONDENSER (OPTIONAL)
WATER PIPING (OPTIONAL)
CONNECTION LOCATION

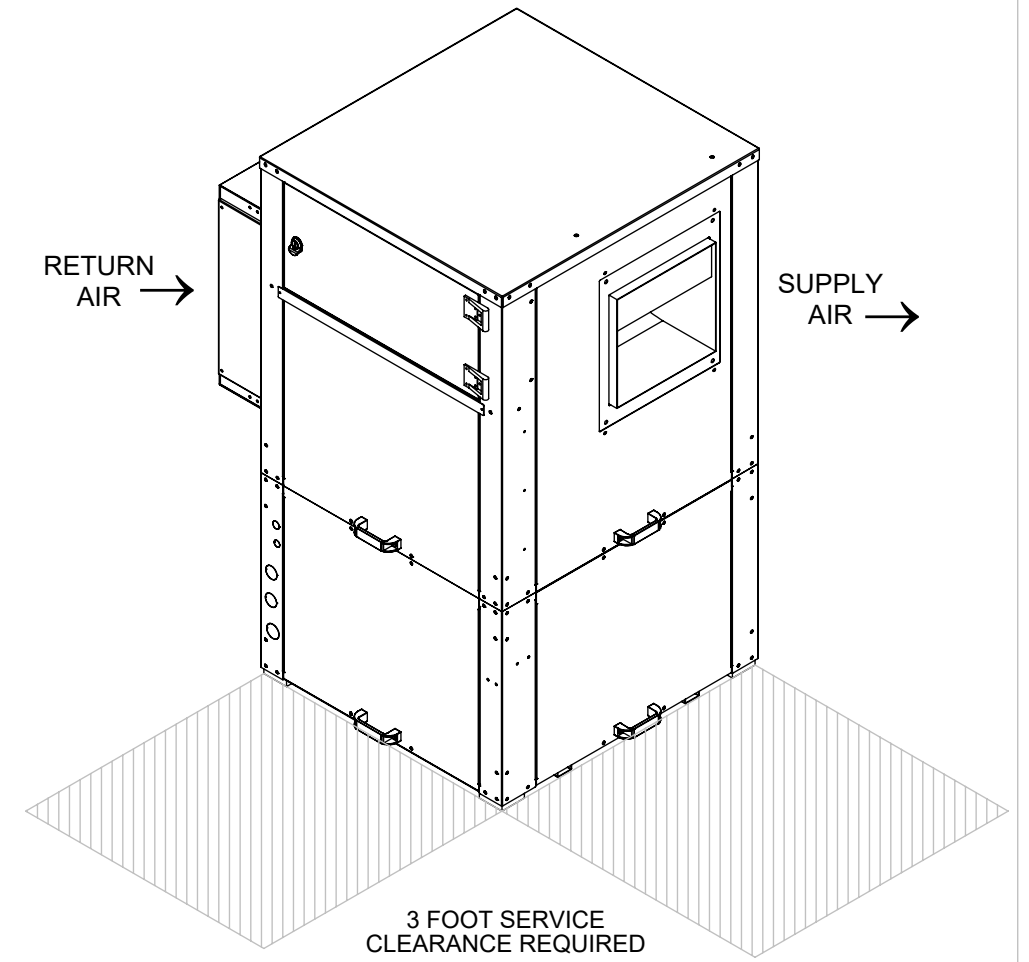
VENTILATION AIR CONNECTION (OPTIONAL)

RETURN AIR CONNECTION

FILTER RACK (REMOVABLE)

ELECTRICAL ENCLOSURE

4" PIPING CONN. APPROX.



This drawing and information contained herein are the exclusive property of the Desert Aire Corporation. Any use detrimental to the interests of Desert Aire is prohibited.

All Dimensions in Inches
All Angles 90°
All outside corners 0.125" fillet
Unless Otherwise Specified

Tolerance Unless Otherwise Specified
X.X ±.125
X.XX ±.060
X.XXX ±.030
Angles ±1°

DESERT AIRE
N120 W18485 Freistadt Rd.
Germantown, WI 53022
Tel: (262) 946-7400
Fax: (262) 946-8501

Third Angle Projection

Drawn: RP
Date Released: 7/13/2023

Description: LV VERTICAL EXPERTAIRE

ALL DIMENSIONS ARE IN INCHES
TOLERANCE ± 1/8"

Sheet: 2/5

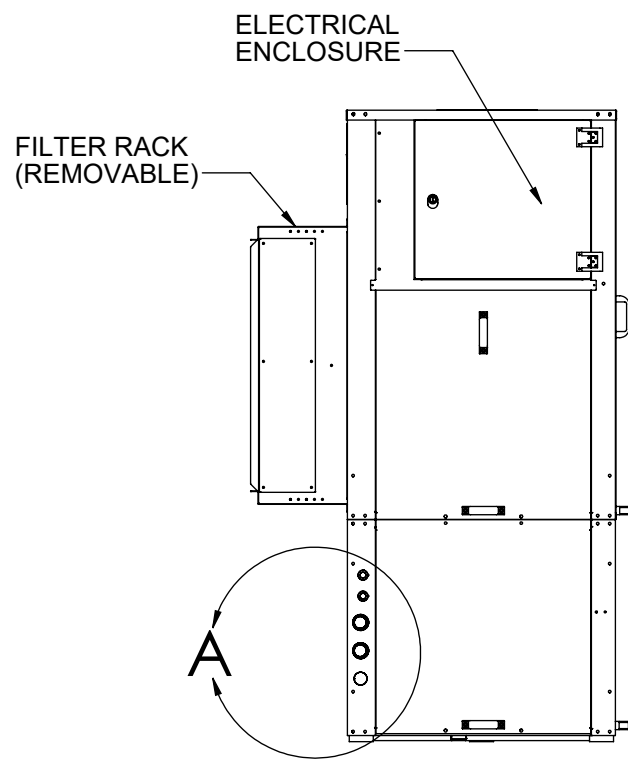
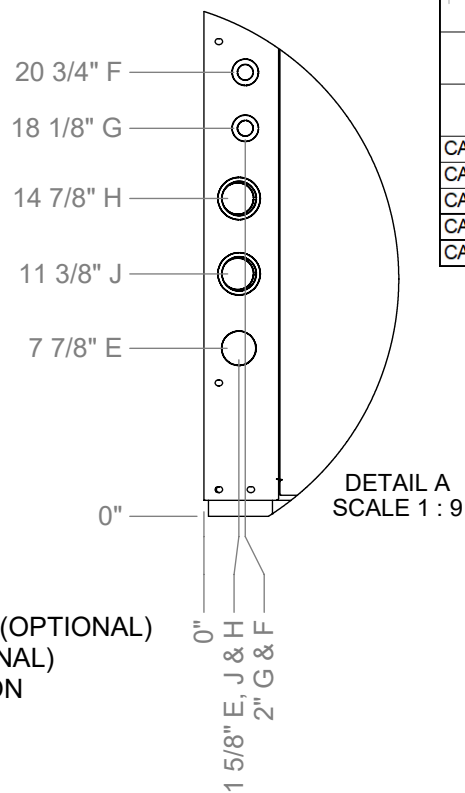
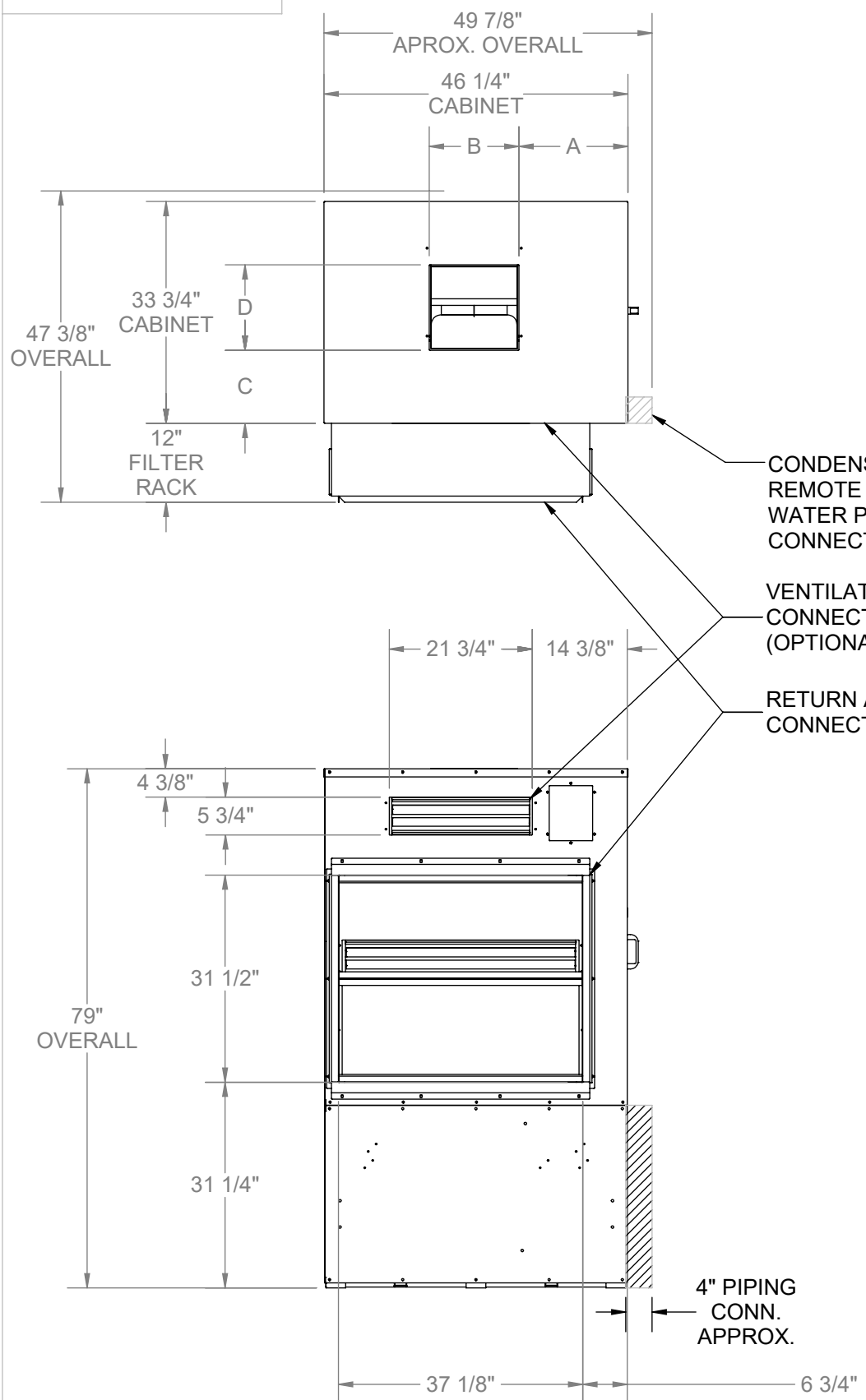
Page Title: LV 3-TON HORZ

Part weight

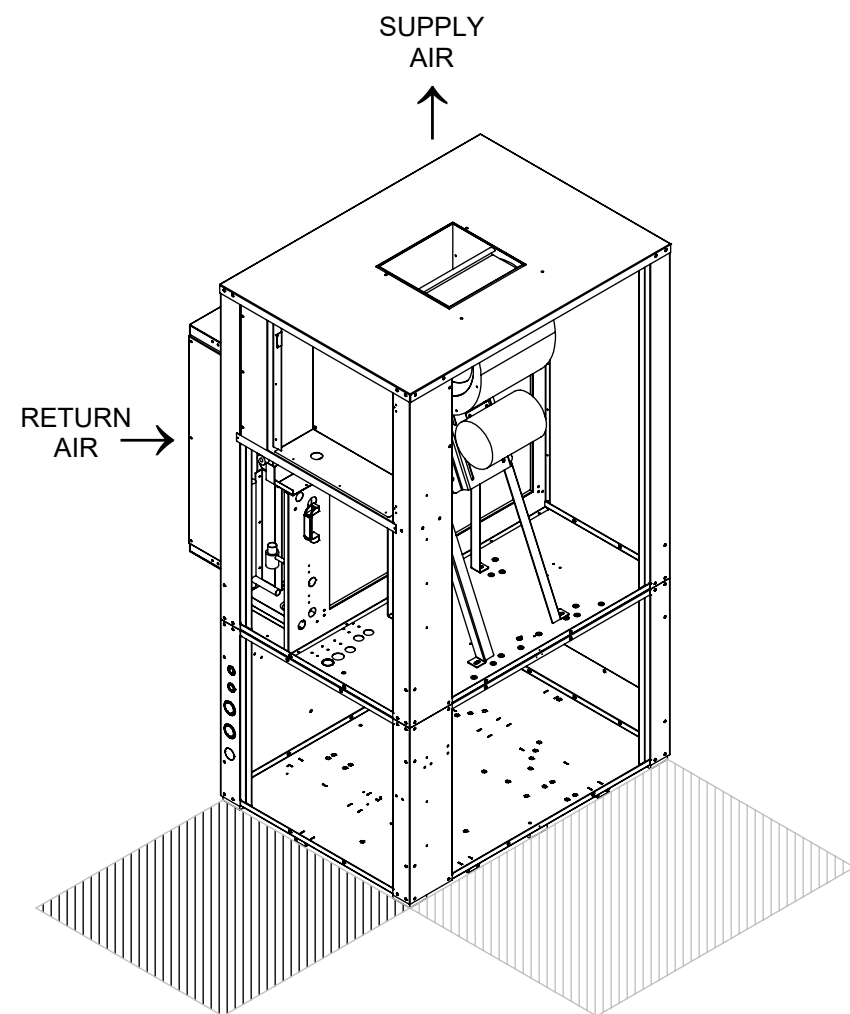
Scale: 1:18
Rev: 0

Drawing Number: GA - LV-RH ASSEMBLIES

GA - LV-RH ASSEMBLIES



DUCT OPENING DIMENSIONS									FIELD PIPING DIMENSIONS				
			OPENING		OPENING		HORIZ DIM X	HORIZ DIM Y	COND DRAIN	REFRIG OUTLET	REFRIG INLET	WATER OUTLET	WATER INLET
			TOP DIM A	DIM B	TOP DIM C	DIM D			DIM E	DIM F	DIM G	DIM H	DIM J
CAB 36: LV04	1/2", 1", 1-1/2"	110-10R	16 13/16	13 1/4	12 5/8	12 5/8	10 1/8	18 1/16		5/8	1/2	1	1
CAB 36: LV05	1/2", 1", 1-1/2"	120-12R	16 13/16	15 3/4	12	13 5/8	9 5/8	16 13/16	1	7/8	5/8	1 1/4	1 1/4
CAB 36: LV06	1/2", 1", 1-1/2"												
CAB 36: LV08	1", 1-1/2"	150-12R	16 9/16	16 1/4	10	16	8 7/16	16 7/16		1 1/8			
CAB 36: LV08	1/2"												



3 FOOT SERVICE CLEARANCE REQUIRED

1 WEIGHTS SHOWN REFLECT FULLY OPTIONED ESTIMATED UNIT WEIGHT

LV EXPERT AIRE FILTER INFORMATION						
CABINET	TONS	FILTER RACK	FILTER SIZE	QTY	4" FILTER	1" DEACTIVATOR
36	04, 05, 06 & 08	372-124-003	16x20	4	870-080	872-005

NOMINAL TONNAGE	WEIGHT (LBS)
LV04	1130
LV05	1200
LV06	1275
LV08	1340

This drawing and information contained herein are the exclusive property of the Desert Aire Corporation. Any use detrimental to the interests of Desert Aire is prohibited.

All Dimensions in Inches
All Angles 90°
All outside corners 0.125" fillet
Unless Otherwise Specified

Tolerance Unless Otherwise Specified
X.X ±.125
X.XX ±.060
X.XXX ±.030
Angles ±1°

DESERT AIRE
N120 W18485 Freistadt Rd.
Germantown, WI 53022
Tel: (262) 946-7400
Fax: (262) 946-8501

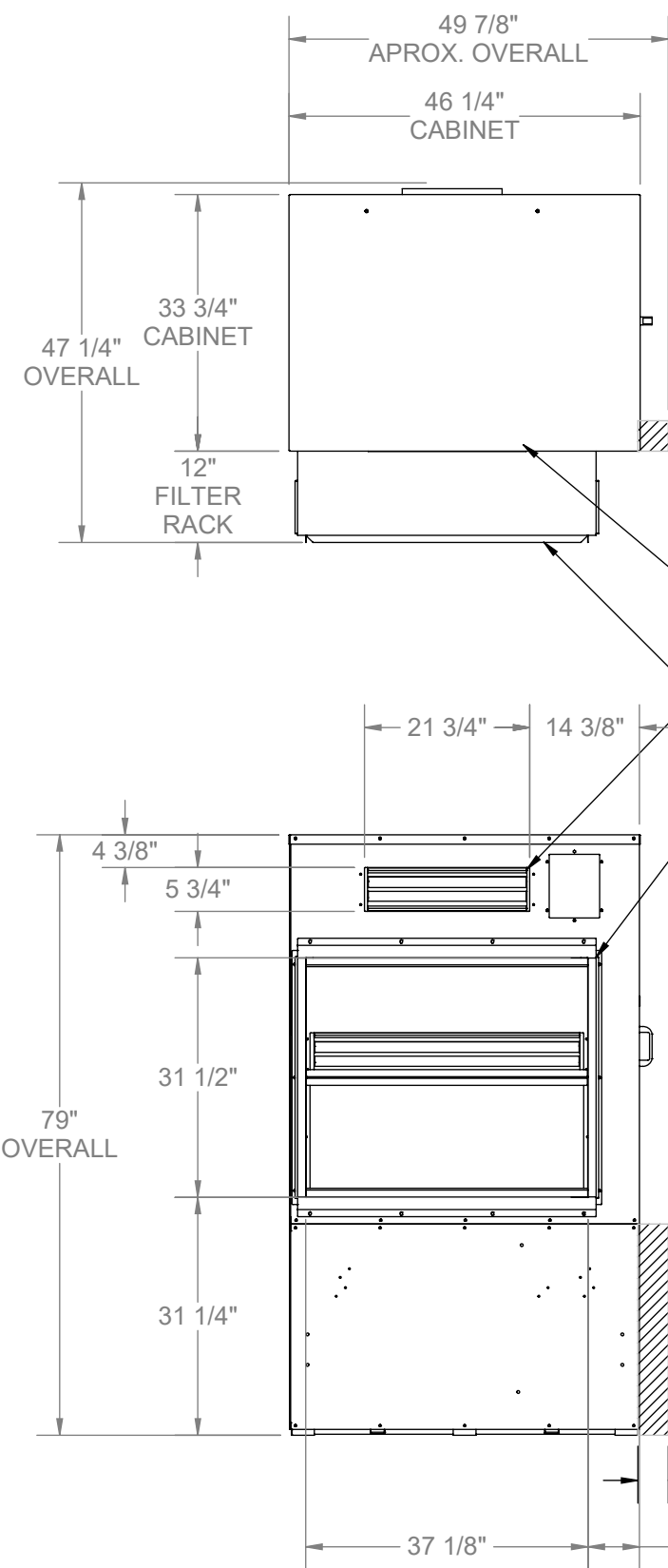
Third Angle Projection
Part weight

Drawn: RP
Date Released: 7/13/2023
Sheet: 3/5
Scale: 1:24
Rev: 0

Description: LV VERTICAL EXPERTAIRE
Page Title: LV 4-8 TON VERT
Drawing Number: GA - LV-RH ASSEMBLIES

ALL DIMENSIONS ARE IN INCHES
TOLERANCE ± 1/8"

GA - LV-RH ASSEMBLIES



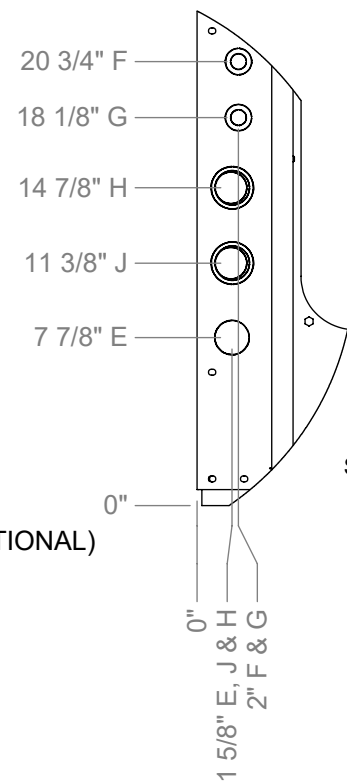
CONDENSATE
REMOTE CONDENSER (OPTIONAL)
WATER PIPING (OPTIONAL)
CONNECTION LOCATION

VENTILATION AIR
CONNECTION
(OPTIONAL)

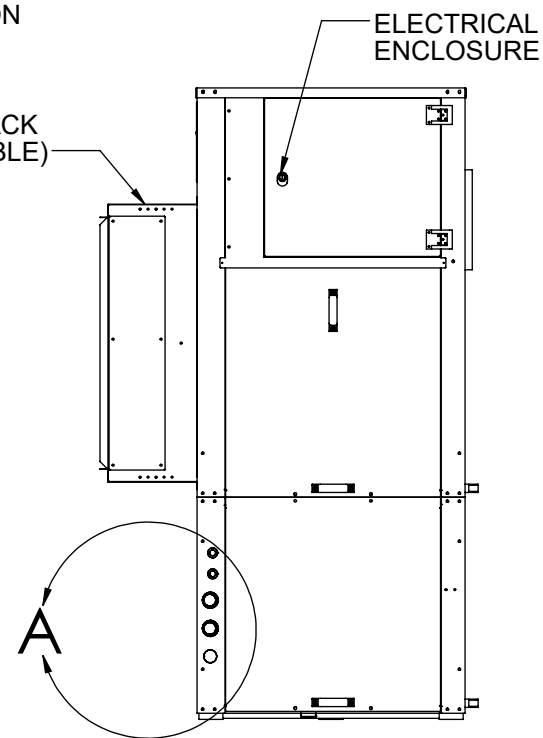
RETURN AIR
CONNECTION

FILTER RACK
(REMOVABLE)

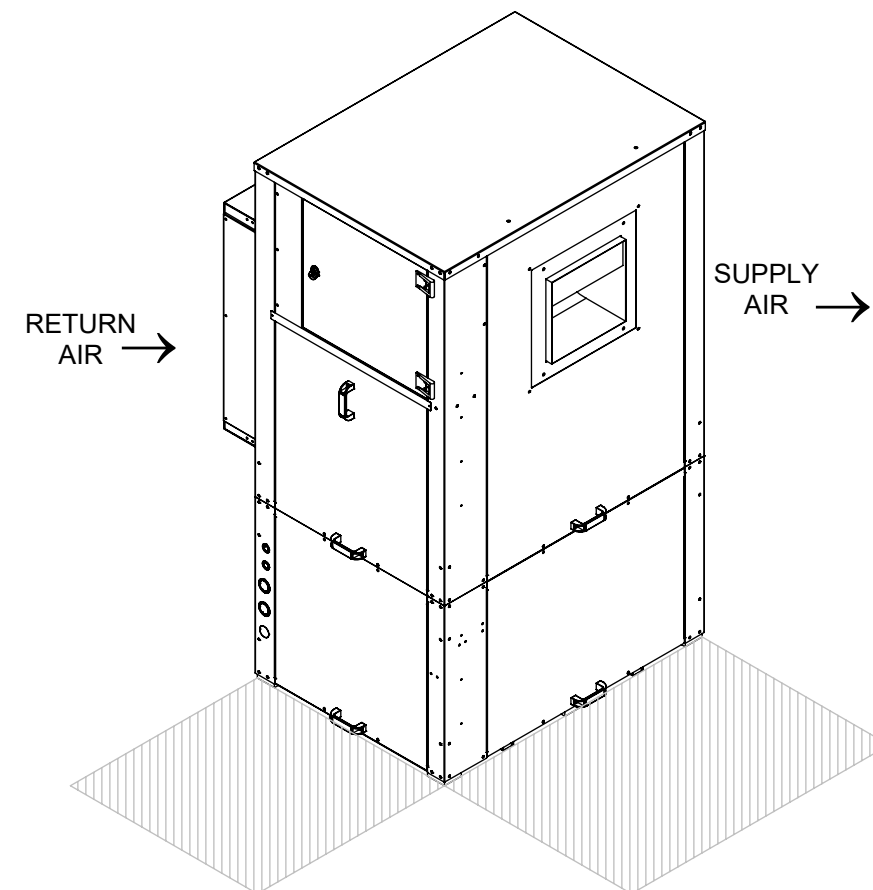
4\"/>



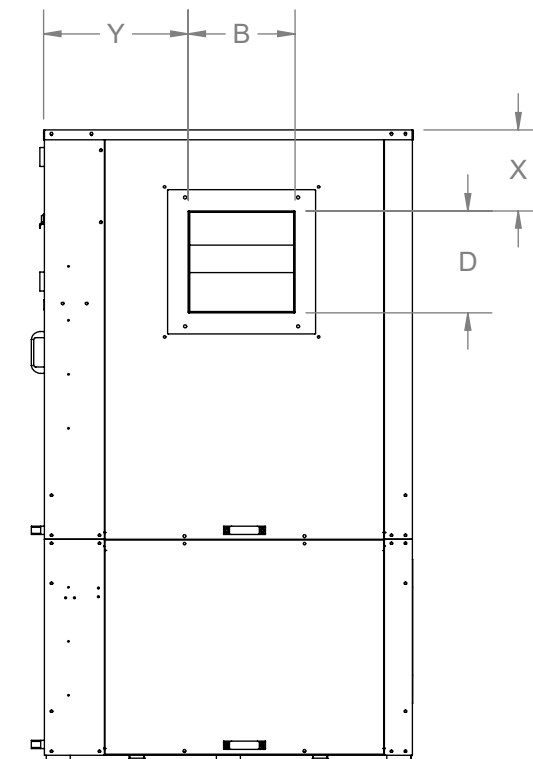
DETAIL A
SCALE 1 : 9



DUCT OPENING DIMENSIONS							FIELD PIPING DIMENSIONS						
	ESP	BLOWER	TOP	OPENING	TOP	OPENING	HORIZ	HORIZ	COND	REFRIG	REFRIG	WATER	WATER
			DIM A	DIM B	DIM C	DIM D	DIM X	DIM Y	DIM E	DIM F	DIM G	DIM H	DIM J
CAB 36: LV04	1/2", 1", 1-1/2"	110-10R	16 13/16	13 1/4	12 5/8	12 5/8	10 1/8	18 1/16	1	5/8	1/2	1	1
CAB 36: LV05	1/2", 1", 1-1/2"	120-12R	16 13/16	15 3/4	12	13 5/8	9 5/8	16 13/16		7/8	5/8	1 1/4	1 1/4
CAB 36: LV06	1/2", 1", 1-1/2"												
CAB 36: LV08	1", 1-1/2"												
CAB 36: LV08	1/2"	150-12R	16 9/16	16 1/4	10	16	8 7/16	16 7/16	1 1/8				



3 FOOT SERVICE
CLEARANCE REQUIRED



1 WEIGHTS SHOWN REFLECT FULLY OPTIONED ESTIMATED UNIT WEIGHT

LV EXPERT AIRE FILTER INFORMATION						
CABINET	TONS	FILTER RACK	FILTER SIZE	QTY	4" FILTER	1" DEACTIVATOR
36	04, 05, 06 & 08	372-124-003	16x20	4	870-080	872-005

NOMINAL TONNAGE	WEIGHT (LBS)
LV04	1130
LV05	1200
LV06	1275
LV08	1340

This drawing and information contained herein are the exclusive property of the Desert Aire Corporation. Any use detrimental to the interests of Desert Aire is prohibited.

All Dimensions in Inches
All Angles 90°
All outside corners 0.125" fillet
Unless Otherwise Specified

Tolerance Unless
Otherwise Specified
X.X ±.125
X.XX ±.060
X.XXX ±.030
Angles ±1°

DESERT AIRE
N120 W18485 Freistadt Rd.
Germantown, WI 53022
Tel: (262) 946-7400
Fax: (262) 946-8501

Third Angle Projection

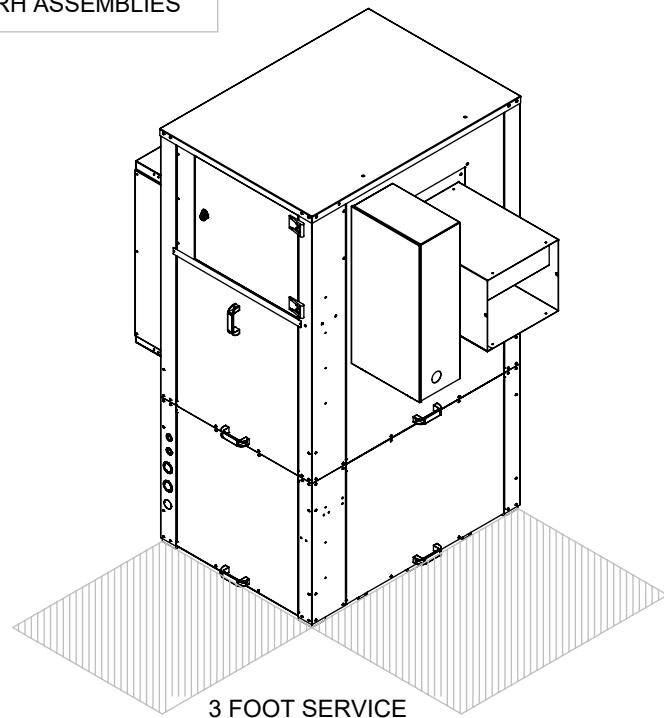
ALL DIMENSIONS ARE IN INCHES
TOLERANCE ± 1/8"

Part weight

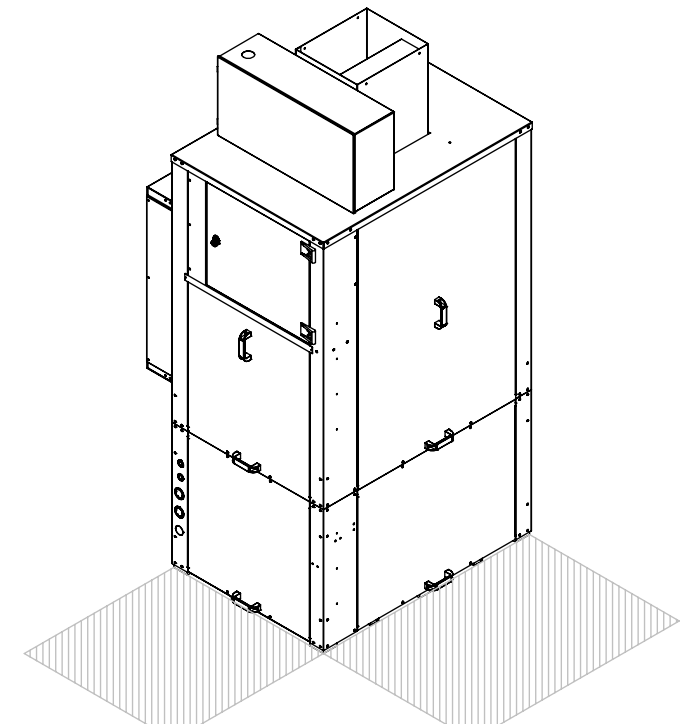
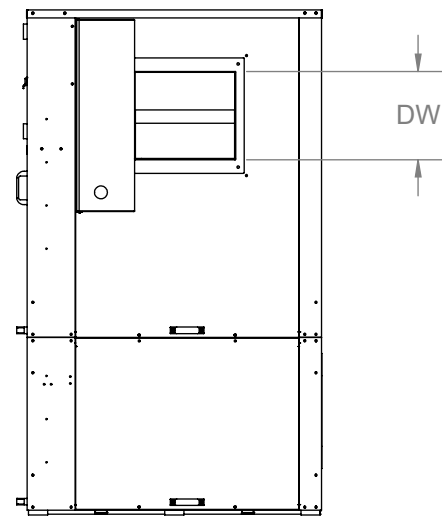
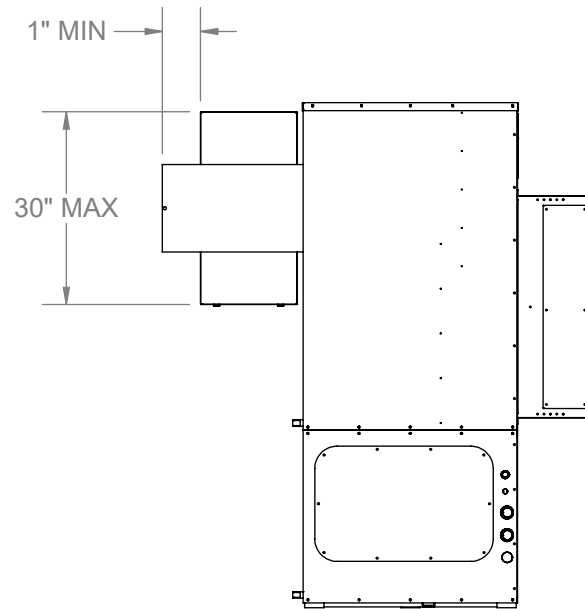
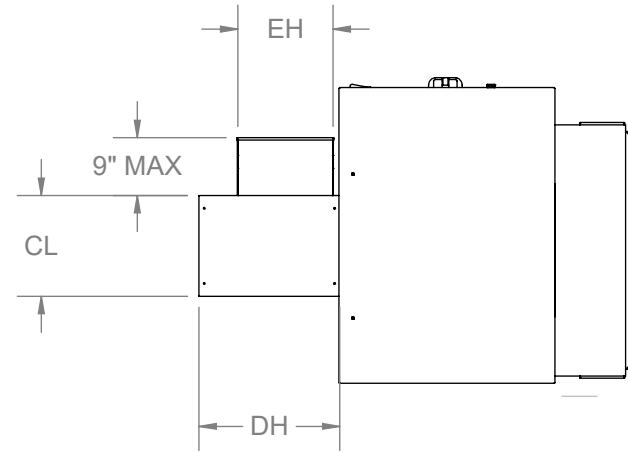
Drawn	Date Released	Description
RP	7/13/2023	LV VERTICAL EXPERTAIRE
Sheet	4/5	Page Title
		LV 4-8 TON HORZ
Scale	Rev.	Drawing Number
1:24	0	GA - LV-RH ASSEMBLIES

HORIZONTAL DUCT HEATER

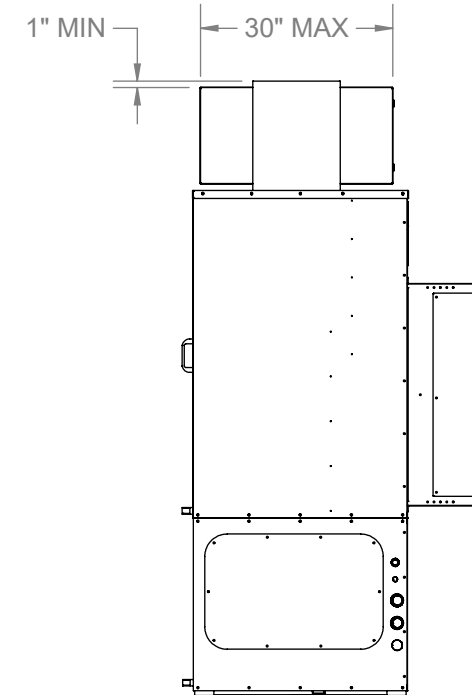
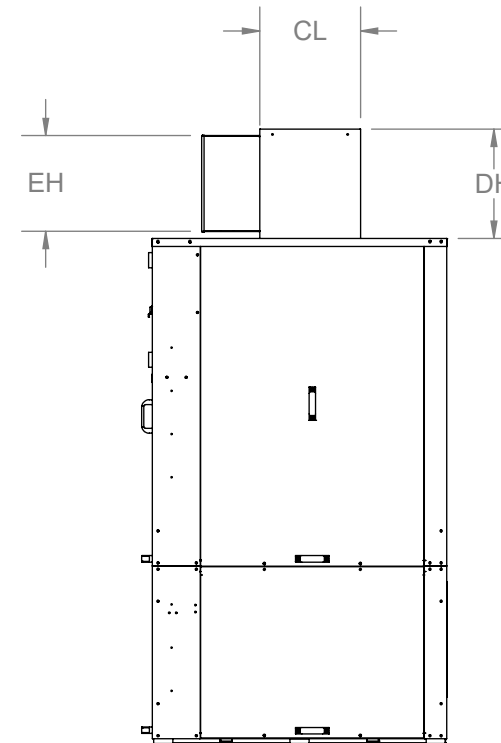
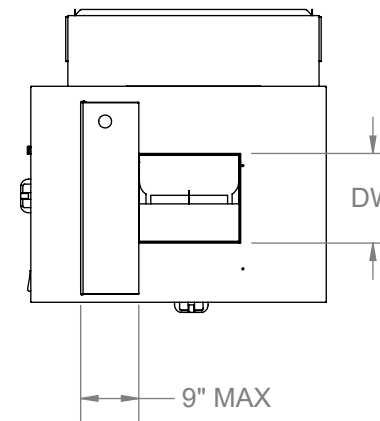
VERTICAL DUCT HEATER



3 FOOT SERVICE CLEARANCE REQUIRED



3 FOOT SERVICE CLEARANCE REQUIRED



① HEATER IS FACTORY SUPPLIED ACCESSORY FIELD INSTALLED

② MAX DIMENSIONS MAY BE SMALLER FOR SMALLER KW HEATERS

HEATER DUCT DIMENSIONS

UNIT SIZE (TONNAGE)	EXTERNAL STATIC PRESSURE	CL	DW	DH	EH
3	1/2" - 1 1/2"	13.85	13.23	13	11
4					
5					
6	1/2"	16.35	14.26	15	13
8					
8					
8	1" - 1 1/2"	16.35	14.26		

This drawing and information contained herein are the exclusive property of the Desert Aire Corporation. Any use detrimental to the interests of Desert Aire is prohibited.

All Dimensions in Inches
All Angles 90°
All Outside Corners 0.094" Radius
Unless Otherwise Specified

Tolerance Unless Otherwise Specified
X.X ±.125
X.XX ±.060
X.XXX ±.030
Angles ±1°

DESERT AIRE
N120 W18485 Freistadt Road
Germantown, WI 53022
Tel: (262) 946-7400
Fax: (262) 946-7401

Material
VARIOUS



Third Angle Projection

Finish
VARIOUS

Part Based On

Part weight

Drawn RP	Date Released 7/13/2023	Description LV VERTICAL EXPERTAIRE
Sheet 5 / 5	Page Title LV DUCT HEATER	
Scale 1:30	Rev. 0	Drawing Number GA - LV-RH ASSEMBLIES