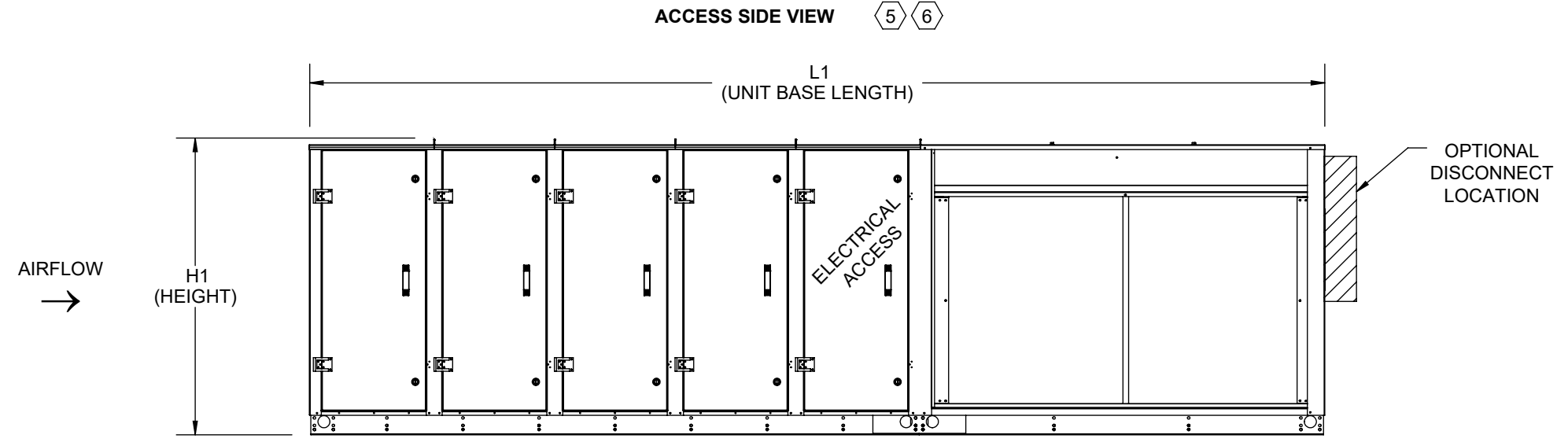
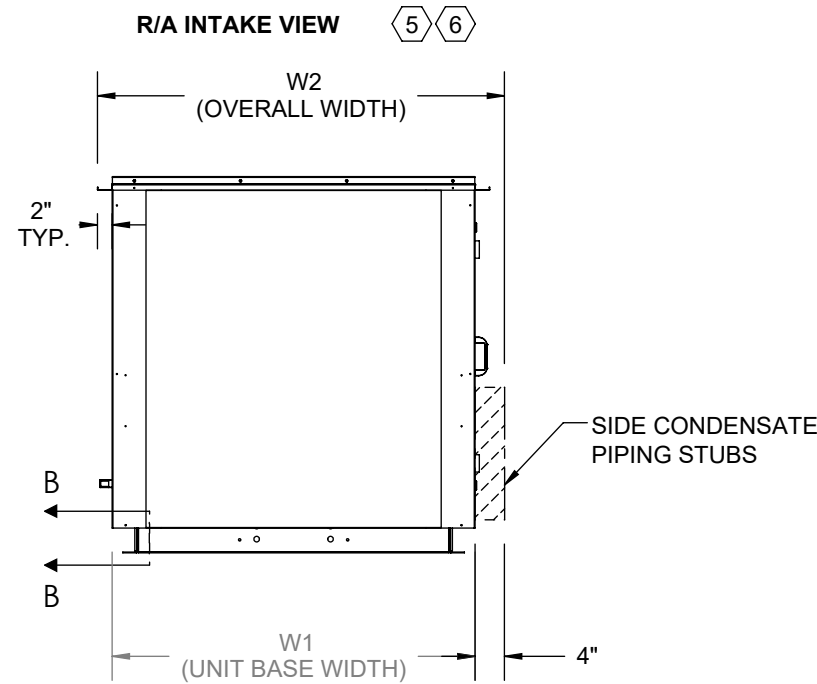


AIR FLOW	UNIT SIZE (TONS)	UNIT CABINET SIZES	L1	W1	H1	W2
DOWN FLOW	02	24	146 1/8	37 1/8	46 3/8	43 1/8
	03		146 1/8	37 1/8	46 3/8	43 1/8
	05		160 1/2	37 1/8	46 3/8	43 1/8
	08	36	195 5/8	49 1/8	51 1/8	55 1/8
	10		195 5/8	49 1/8	51 1/8	55 1/8
	15		195 5/8	49 1/8	51 1/8	55 1/8
	20	44	221 1/4	54 1/2	55 1/8	60 1/2
	25	50	238 1/8	61 1/8	63 1/8	67 1/8
271 7/8			61 1/8	63 1/8	67 1/8	
TOP FLOW	02	24	146 1/8	37 1/8	46 3/8	43 1/8
	03		146 1/8	37 1/8	46 3/8	43 1/8
	05		160 1/2	37 1/8	46 3/8	43 1/8
	08	36	195 5/8	49 1/8	51 1/8	55 1/8
	10		195 5/8	49 1/8	51 1/8	55 1/8
	15		195 5/8	49 1/8	51 1/8	55 1/8
	20	44	221 1/4	54 1/2	55 1/8	60 1/2
	25	50	238 1/8	61 1/8	63 1/8	67 1/8
271 7/8			61 1/8	63 1/8	67 1/8	



**GENERAL NOTES AS REFERENCED BY INDIVIDUAL SHEETS:**

- (1) PORTION OF SECTIONED OR DETAILED DRAWING HAS BEEN OMITTED FOR CLARITY.
- (2) VIEW IS FOR PICTORAL PURPOSES. REFER TO PAGE 1 FOR UNIT TYPE SPECIFIC VIEW.
- (3) REFER TO SUBMITTAL FOR CUSTOMER CONNECTION LOCATIONS.
- (4) DIMENSIONS ARE TO ACCESS SIDE OF UNIT.
- (5) RH ACCESS SHOWN FOR DISPLAY PURPOSES. ACCESS DOOR CONFIGURATION MAY CHANGE DEPENDING ON UNIT SIZE.
- (6) REFER TO SHEET 3,4,5 FOR INTAKE AND DISCHARGE CONNECTION DIMENSIONS.

Desert Aire has a policy of continuous product and quality improvement. Specifications and dimensions are subject to change without notice. This drawing and information contained herein are the exclusive property of the Desert Aire Corporation. Any use detrimental to the interests of Desert Aire is prohibited.

All Dimensions in Inches  
All Angles 90°  
All outside corners 0.125" fillet  
Unless Otherwise Specified

Tolerance Unless Otherwise Specified  
X.X ±.125  
X.XX ±.060  
X.XXX ±.030  
Angles ±1°

**DESERT AIRE**  
N120 W18485 FREISTADT RD  
GERMANTOWN, WI 53022  
Tel: (262) 946-7400  
Fax: (262) 946-7401



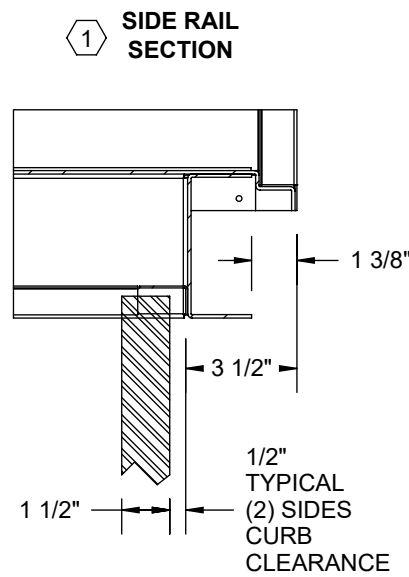
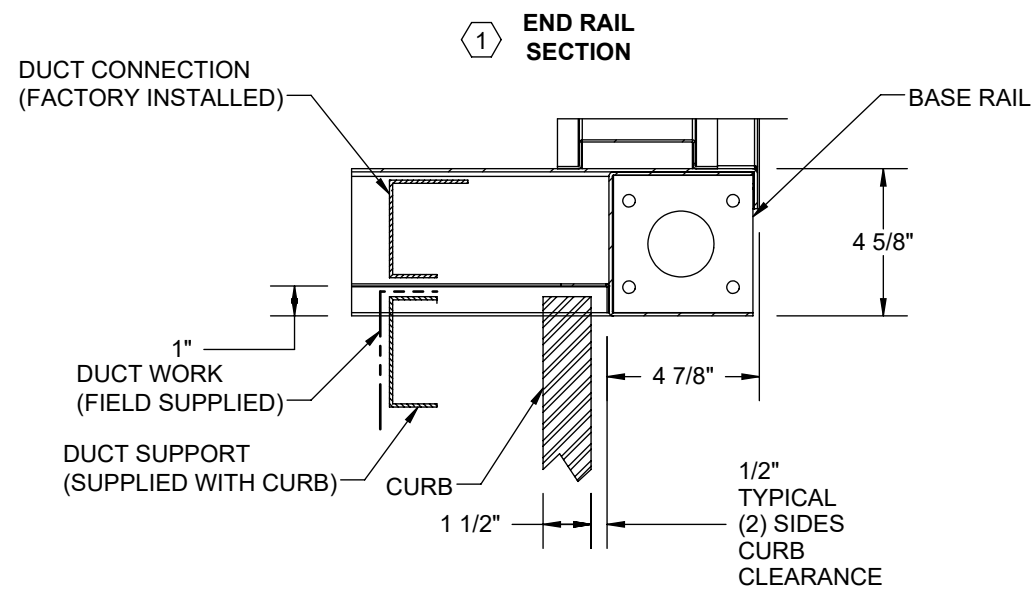
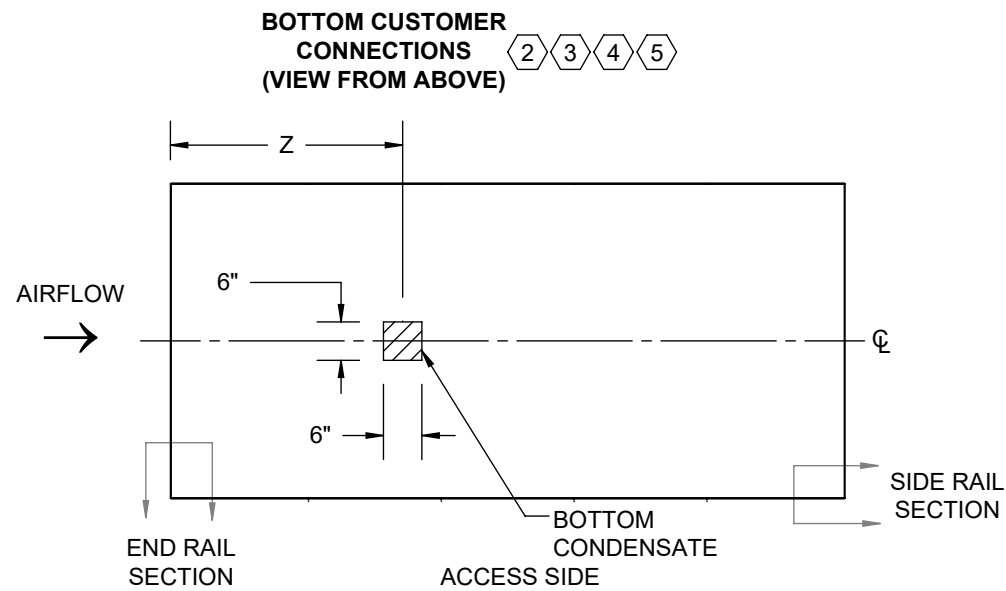
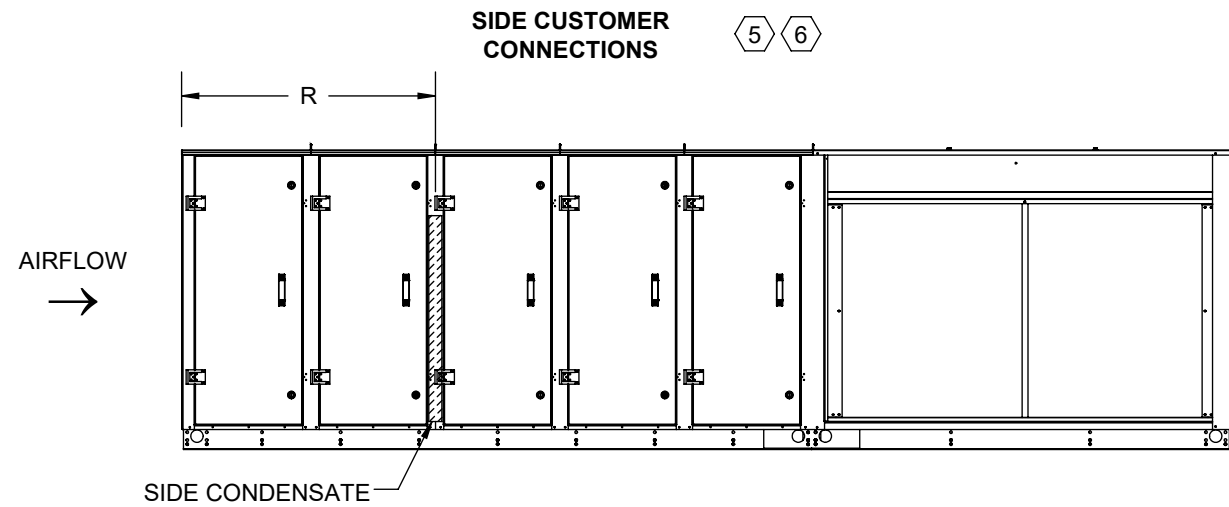
Part weight

Drawn	Date Released	Description
EAC	10/16/2020	GrowAire GS Pkgd w/ Extd Cab
Sheet	1/5	Page Title
		GENERAL ARRANGEMENT
Scale	Rev.	Drawing Number
NTS	0	G815-010

ALL DIMENSIONS ARE IN INCHES  
TOLERANCE ± 1/8"

NOTES:  
REFER TO SHEET 1 FOR GENERAL NOTES.

AIR FLOW	UNIT SIZE (TONS)	UNIT CABINET SIZES	R	Z	
DOWN FLOW	02	24	53 1/4	30 1/4	
	03		53 1/4	30 1/4	
	05		53 1/4	30 1/4	
	08	36	42 3/8	42 3/8	
			10	42 3/8	42 3/8
			15	42 3/8	42 3/8
	20	44	45	44 7/8	
25			45 3/4	45 3/4	
30			45 3/4	45 3/4	
TOP FLOW	02	24	53 1/4	30 1/4	
	03		53 1/4	30 1/4	
	05		53 1/4	30 1/4	
	08	36	42 3/8	42 3/8	
			10	42 3/8	42 3/8
			15	42 3/8	42 3/8
	20	44	45	44 7/8	
			25	45 3/4	45 3/4
			30	45 3/4	45 3/4



UNIT SIZE (TONS)	CAB	DA PART #			NOM W	NOM H	QTY
		4" MERV 7/8	MERV 12	2" PRE			
2-5	24	870-056	870-133	870-057	18	24	2
		870-028	870-128	870-022	16	20	6
8-15	36	870-028	870-128	870-022	16	20	4
		870-010	870-129	870-005	20	20	2
20	44	870-041	870-131	870-043	20	24	6
		870-010	870-129	870-005	20	20	6
25-30	50	870-028	870-128	870-022	16	20	6
		870-041	870-131	870-043	20	24	3
36-46	60	870-028	870-128	870-022	16	20	12
		870-041	870-131	870-043	20	24	3

CUSTOMER CONNECTION LINE SIZE SUMMARY (in.)									
Unit Size	2 TONS	3 TONS	5 TONS	8 TONS	10 TONS	15 TONS	20 TONS	25 TONS	30 TONS
CONDENSATE	1	1	1	1	1	1	1	1	1

Desert Aire has a policy of continuous product and quality improvement. Specifications and dimensions are subject to change without notice. This drawing and information contained herein are the exclusive property of the Desert Aire Corporation. Any use detrimental to the interests of Desert Aire is prohibited.

All Dimensions in Inches  
All Angles 90°  
All outside corners 0.125" fillet  
Unless Otherwise Specified

Tolerance Unless Otherwise Specified  
X.X ±.125  
X.XX ±.060  
X.XXX ±.030  
Angles ±1°

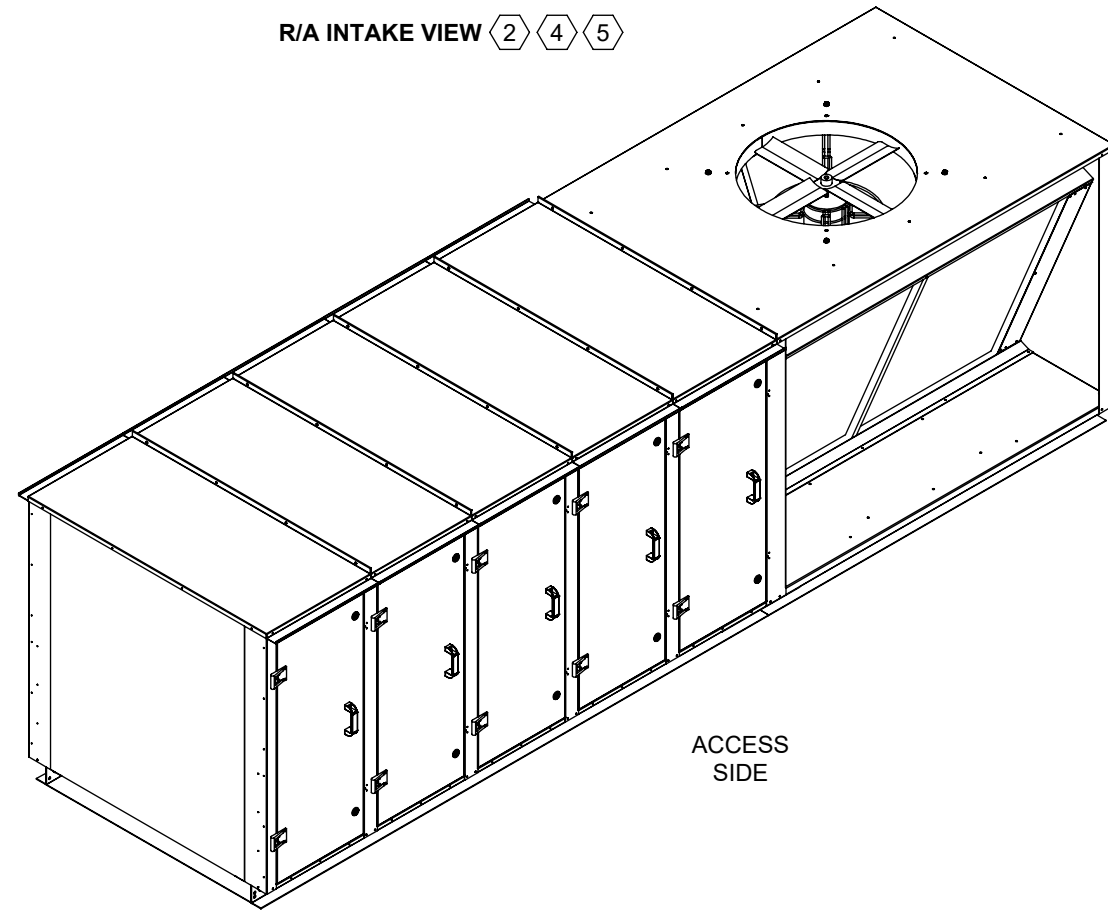
**DESERT AIRE**  
N120 W18485 FREISTADT RD  
GERMANTOWN, WI 53022  
Tel: (262) 946-7400  
Fax: (262) 946-7401

Third Angle Projection

ALL DIMENSIONS ARE IN INCHES  
TOLERANCE ± 1/8"

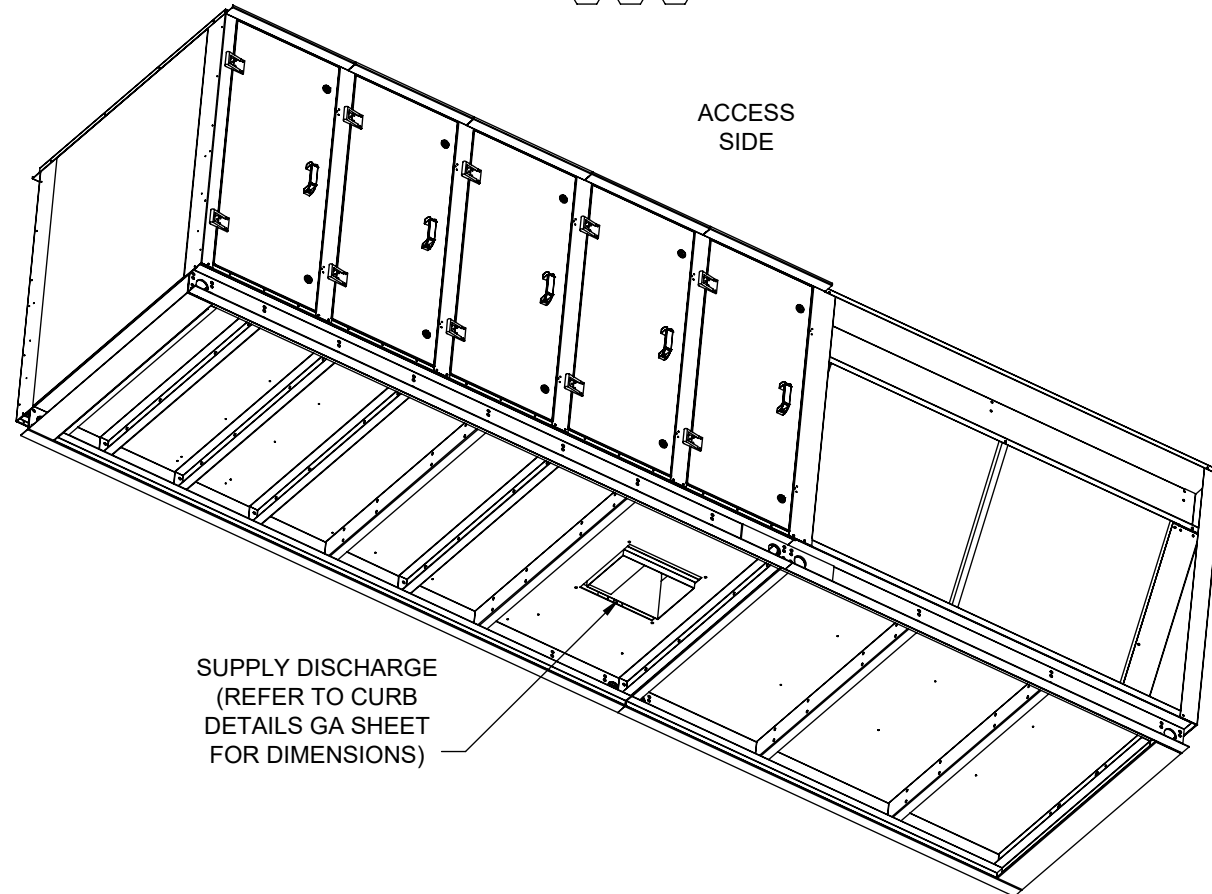
Drawn	EAC	Date Released	10/16/2020	Description	GrowAire GS Pkgd w/ Extd Cab
Sheet	2/5		Page Title CUSTOMER INTERFACE GA		
Scale	NTS	Rev.	0	Drawing Number G815-010	

R/A INTAKE VIEW 2 4 5



ACCESS  
SIDE

DISCHARGE VIEW 2 4 5



ACCESS  
SIDE

SUPPLY DISCHARGE  
(REFER TO CURB  
DETAILS GA SHEET  
FOR DIMENSIONS)

**NOTES:**

REFER TO SHEET 1 FOR GENERAL NOTES.

WEIGHTS SHOWN REFLECT FULLY OPTIONED  
ESTIMATED UNIT WEIGHT.

REFER TO CURB DETAILS GA SHEET FOR SUPPLY  
DUCT DIMENSION AND LOCATIONS.

UNIT SIZE (TONS)	UNIT CABINET SIZES	DOWN DISCHARGE
		TOTAL EST. WEIGHT (LBS.)
02	24	1475
03		1524
05		1787
08	36	2501
10		2702
15		3165
20	44	3730
25	50	4421
30		5043

Desert Aire has a policy of continuous product and quality improvement. Specifications and dimensions are subject to change without notice. This drawing and information contained herein are the exclusive property of the Desert Aire Corporation. Any use detrimental to the interests of Desert Aire is prohibited.

All Dimensions in Inches  
All Angles 90°  
All outside corners 0.125" fillet  
Unless Otherwise Specified

Tolerance Unless  
Otherwise Specified  
X.X ±.125  
X.XX ±.060  
X.XXX ±.030  
Angles ±1°

**DESERT  
AIRE** N120 W18485 FREISTADT RD  
GERMANTOWN, WI 53022  
Tel: (262) 946-7400  
Fax: (262) 946-7401

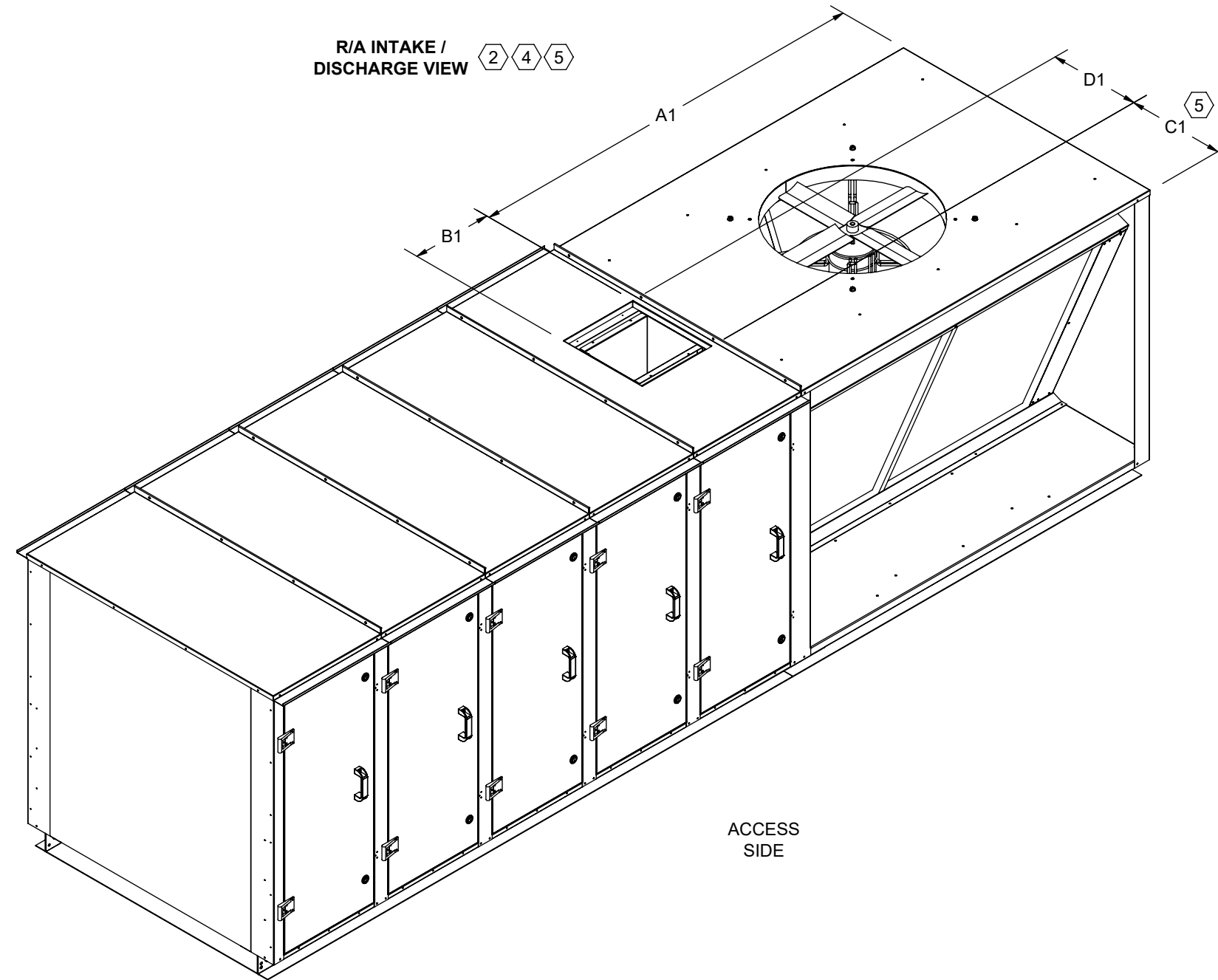
Third Angle Projection

Drawn	Date Released	Description
EAC	10/16/2020	GrowAire GS Pkgd w/ Extd Cab
Sheet	Page Title	
3/5	DOWN DISCHARGE GA	
Scale	Rev.	Drawing Number
NTS	0	G815-010

ALL DIMENSIONS ARE IN INCHES  
TOLERANCE ± 1/8"

Part weight

**NOTES:**  
 REFER TO SHEET 1 FOR GENERAL NOTES.  
 WEIGHTS SHOWN REFLECT FULLY OPTIONED  
 ESTIMATED UNIT WEIGHT.



UNIT SIZE (TONS)	UNIT CABINET SIZES	TOP DISCHARGE				TOTAL EST. WEIGHT (LBS.)
		SUPPLY DISCHARGE (in.)				
		A1	B1	C1 <sup>4</sup>	D1	
02	24	40 3/4	13 3/4	13 5/8	9 7/8	1475
03		40 3/4	13 3/4	13 5/8	9 7/8	1524
05		55 1/8	12 1/2	13 5/8	9 7/8	1787
08	36	70 3/4	17	16 5/8	15 3/4	2501
10		70 3/4	17	16 5/8	15 3/4	2702
15		70 3/4	17	16 5/8	15 3/4	3165
20	44	88 5/8	29 3/8	17 7/8	18 3/4	3730
25		102 1/8	29 3/8	19 1/2	22 1/8	4421
30		135 7/8	29 3/8	19 1/2	22 1/8	5043

Desert Aire has a policy of continuous product and quality improvement. Specifications and dimensions are subject to change without notice. This drawing and information contained herein are the exclusive property of the Desert Aire Corporation. Any use detrimental to the interests of Desert Aire is prohibited.

All Dimensions in Inches  
 All Angles 90°  
 All outside corners 0.125" fillet  
 Unless Otherwise Specified

Tolerance Unless Otherwise Specified  
 X.X ±.125  
 X.XX ±.060  
 X.XXX ±.030  
 Angles ±1°



Third Angle Projection

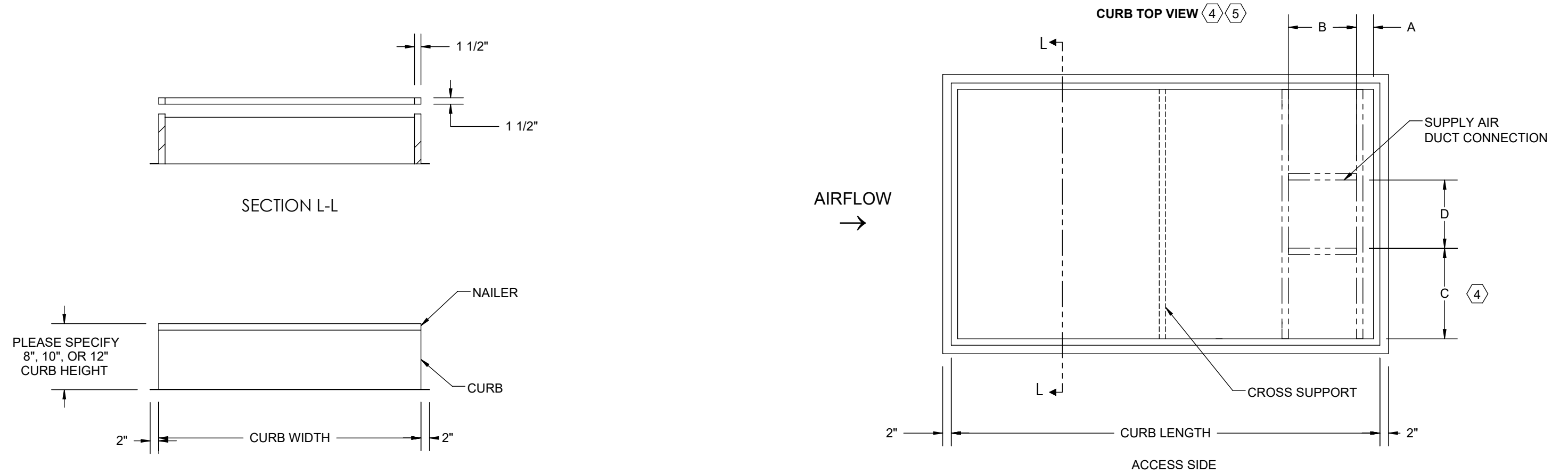
ALL DIMENSIONS ARE IN INCHES  
 TOLERANCE ± 1/8"

Part weight

Drawn	Date Released	Description
EAC	10/16/2020	GrowAire GS Pkgd w/ Extd Cab
Sheet	Page Title	
4/5	TOP DISCHARGE GA	
Scale	Rev.	Drawing Number
NTS	0	G815-010

**NOTES:**  
 REFER TO SHEET 1 FOR GENERAL NOTES.  
 CURBS 120" AND LESS ARE SHIPPED AS COMPLETE CURBS. GREATER THAN 120" ARE SHIPPED KNOCKED DOWN.  
 NUMBER AND LOCATION OF CROSS SUPPORT(S) IS DEPENDANT UPON THE GAUGE OF MATERIAL USED TO CONSTRUCT THE CURB, DUCT SUPPORT CONFIGURATION, LENGTH OF CURB AND WIDTH OF CURB. INSTALLATION INSTRUCTIONS INCLUDED WITH CURB SHIPMENT INDICATE THE REQUIRED POSITION FOR FIELD ASSEMBLED CURBS.

UNIT SIZE (TONS)	UNIT CABINET SIZES	TOP FLOW ROOFCURB DIMS			DOWN FLOW ROOFCURB DIMS						
		CURB P/N	WIDTH (in.)	LENGTH (in.)	CURB P/N	WIDTH (in.)	LENGTH (in.)	SUPPLY DISCHARGE (in.)			
								A	B	C <sup>(4)</sup>	D
02	24	CB02NPBN04-XX	29 1/8	135 1/4	CB02NPCN04-XX	29 1/8	135 1/4	35 1/2	11 1/2	8 1/8	9 7/8
03		CB03NPBN04-XX	29 1/8	135 1/4	CB03NPCN04-XX	29 1/8	135 1/4	35 1/2	11 1/2	8 1/8	9 7/8
05		CB05NPBN04-XX	29 1/8	149 5/8	CB05NPCN04-XX	29 1/8	149 5/8	49 7/8	11 1/2	8 1/8	9 7/8
08	36	CB08NPBN06-XX	41 1/8	184 7/8	CB08NPCN06-XX	41 1/8	184 7/8	69 1/2	13 3/4	11 1/8	15 3/4
10		CB10NPBN06-XX	41 1/8	184 7/8	CB10NPCN06-XX	41 1/8	184 7/8	69 1/2	13 3/4	11 1/8	15 3/4
15		CB15NPBN06-XX	41 1/8	184 7/8	CB15NPCN06-XX	41 1/8	184 7/8	69 1/2	13 3/4	11 1/8	15 3/4
20	44	CB20NPBN06-XX	46 1/2	210 1/2	CB20NPCN06-XX	46 1/2	210 1/2	87 3/8	16	12 3/8	18 3/4
25	50	CB25NPBN06-XX	53 1/8	227 3/8	CB25NPCN06-XX	53 1/8	227 3/8	101	19	14	22 1/8
30		CB30NPBN06-XX	53 1/8	261 1/8	CB30NPCN06-XX	53 1/8	261 1/8	134 5/8	19	14	22 1/8



----- DUCT CONNECTIONS FOR DOWN DISCHARGE

Desert Aire has a policy of continuous product and quality improvement. Specifications and dimensions are subject to change without notice. This drawing and information contained herein are the exclusive property of the Desert Aire Corporation. Any use detrimental to the interests of Desert Aire is prohibited.	All Dimensions in Inches All Angles 90° All outside corners 0.125" fillet Unless Otherwise Specified	Tolerance Unless Otherwise Specified X.X ±.125 X.XX ±.060 X.XXX ±.030 Angles ±1°	N120 W18485 FREISTADT RD GERMANTOWN, WI 53022 Tel: (262) 946-7400 Fax: (262) 946-7401
ALL DIMENSIONS ARE IN INCHES TOLERANCE ± 1/8"	Third Angle Projection	Sheet: 5/5	Page Title: CURB DETAILS GA
Part weight	Scale: NTS	Rev: 0	Drawing Number: G815-010