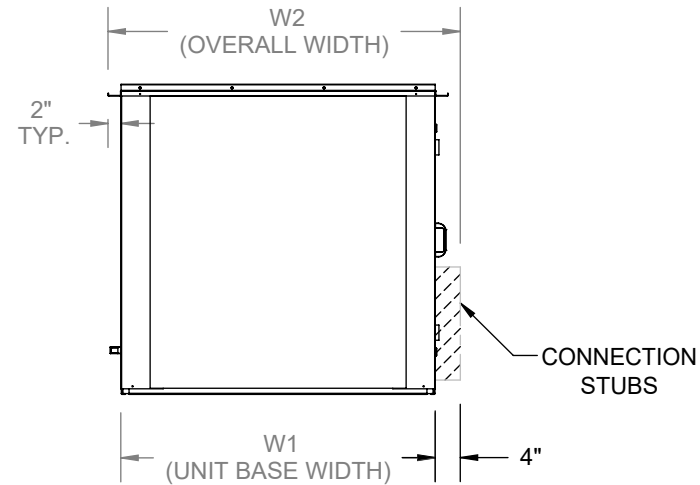
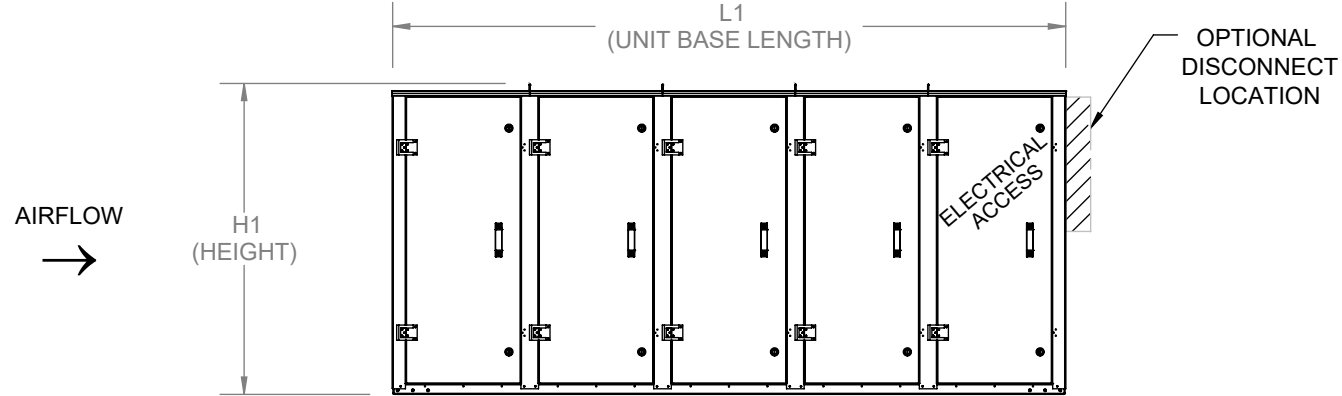


**R/A INTAKE VIEW** (5) (6)



**ACCESS SIDE VIEW** (5) (6)



AIR FLOW	UNIT SIZE (TONS)	UNIT CABINET SIZES	L1	W1	H1	L2	W2
END FLOW	02	24	106 1/2	37 1/8	43 7/8	128 1/2	43 1/8
	03		106 1/2	37 1/8	43 7/8	128 1/2	43 1/8
	05		106 1/2	37 1/8	43 7/8	128 1/2	43 1/8
	08	36	126 1/8	49 1/8	48 5/8	150 1/2	55 1/8
	10		126 1/8	49 1/8	48 5/8	150 1/2	55 1/8
	15		126 1/8	49 1/8	48 5/8	150 1/2	55 1/8
	20	44	133 7/8	54 1/2	52 5/8	160 1/4	60 1/2
	25		137 1/4	61 1/8	63 1/8	167 1/2	67 1/8
	30	50	137 1/4	61 1/8	63 1/8	167 1/2	67 1/8
	36		140 7/8	72 1/2	75 3/8	176 5/8	78 1/2
	40	60	140 7/8	72 1/2	75 3/8	176 5/8	78 1/2
	46		140 7/8	72 1/2	75 3/8	176 5/8	78 1/2
50	72	150 5/8	87 1/2	83 5/8	190 1/2	93 1/2	
56		150 5/8	87 1/2	83 5/8	190 1/2	93 1/2	
60		150 5/8	87 1/2	83 5/8	190 1/2	93 1/2	
DOWN FLOW	02	24	106 1/2	37 1/8	43 7/8	128 1/2	43 1/8
	03		106 1/2	37 1/8	43 7/8	128 1/2	43 1/8
	05		106 1/2	37 1/8	43 7/8	128 1/2	43 1/8
	08	36	126 1/8	49 1/8	48 5/8	150 1/2	55 1/8
	10		126 1/8	49 1/8	48 5/8	150 1/2	55 1/8
	15		126 1/8	49 1/8	48 5/8	150 1/2	55 1/8
	20	44	133 7/8	54 1/2	52 5/8	160 1/4	60 1/2
	25		137 1/4	61 1/8	63 1/8	167 1/2	67 1/8
	30	50	137 1/4	61 1/8	63 1/8	167 1/2	67 1/8
	36		140 7/8	72 1/2	75 3/8	176 5/8	78 1/2
	40	60	140 7/8	72 1/2	75 3/8	176 5/8	78 1/2
	46		140 7/8	72 1/2	75 3/8	176 5/8	78 1/2
50	72	150 5/8	87 1/2	83 5/8	190 1/2	93 1/2	
56		150 5/8	87 1/2	83 5/8	190 1/2	93 1/2	
60		150 5/8	87 1/2	83 5/8	190 1/2	93 1/2	
TOP FLOW	02	24	106 1/2	37 1/8	43 7/8	128 1/2	43 1/8
	03		106 1/2	37 1/8	43 7/8	128 1/2	43 1/8
	05		106 1/2	37 1/8	43 7/8	128 1/2	43 1/8
	08	36	126 1/8	49 1/8	48 5/8	150 1/2	55 1/8
	10		126 1/8	49 1/8	48 5/8	150 1/2	55 1/8
	15		126 1/8	49 1/8	48 5/8	150 1/2	55 1/8
	20	44	133 7/8	54 1/2	52 5/8	160 1/4	60 1/2
	25		137 1/4	61 1/8	63 1/8	167 1/2	67 1/8
	30	50	137 1/4	61 1/8	63 1/8	167 1/2	67 1/8
	36		140 7/8	72 1/2	75 3/8	176 5/8	78 1/2
	40	60	140 7/8	72 1/2	75 3/8	176 5/8	78 1/2
	46		140 7/8	72 1/2	75 3/8	176 5/8	78 1/2
50	72	150 5/8	87 1/2	83 5/8	190 1/2	93 1/2	
56		150 5/8	87 1/2	83 5/8	190 1/2	93 1/2	
60		150 5/8	87 1/2	83 5/8	190 1/2	93 1/2	

**GENERAL NOTES AS REFERENCED BY INDIVIDUAL SHEETS:**

- (1) PORTION OF SECTIONED OR DETAILED DRAWING HAS BEEN OMITTED FOR CLARITY.
- (2) VIEW IS FOR PICTORAL PURPOSES. REFER TO PAGE 1 FOR UNIT TYPE SPECIFIC VIEW.
- (3) REFER TO SUBMITTAL FOR CUSTOMER CONNECTION LOCATIONS.
- (4) DIMENSIONS ARE TO ACCESS SIDE OF UNIT.
- (5) RH ACCESS SHOWN FOR DISPLAY PURPOSES. ACCESS DOOR CONFIGURATION MAY CHANGE DEPENDING ON UNIT SIZE.
- (6) REFER TO SHEET 3,4,5 FOR INTAKE AND DISCHARGE CONNECTION DIMENSIONS.

Desert Aire has a policy of continuous product and quality improvement. Specifications and dimensions are subject to change without notice. This drawing and information contained herein are the exclusive property of the Desert Aire Corporation. Any use detrimental to the interests of Desert Aire is prohibited.

All Dimensions in Inches  
All Angles 90°  
All outside corners 0.125" fillet  
Unless Otherwise Specified

Tolerance Unless Otherwise Specified  
X.X ±.125  
X.XX ±.060  
X.XXX ±.030  
Angles ±1°

**DESERT AIRE**  
N120 W18485 FREISTADT RD  
GERMANTOWN, WI 53022  
Tel: (262) 946-7400  
Fax: (262) 946-7401

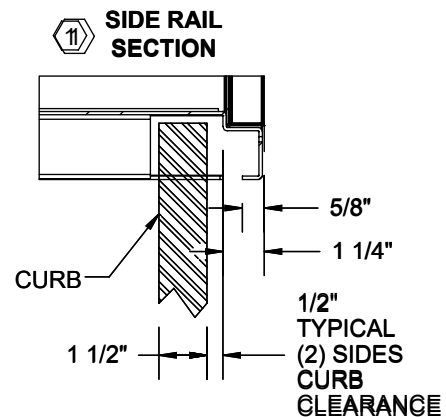
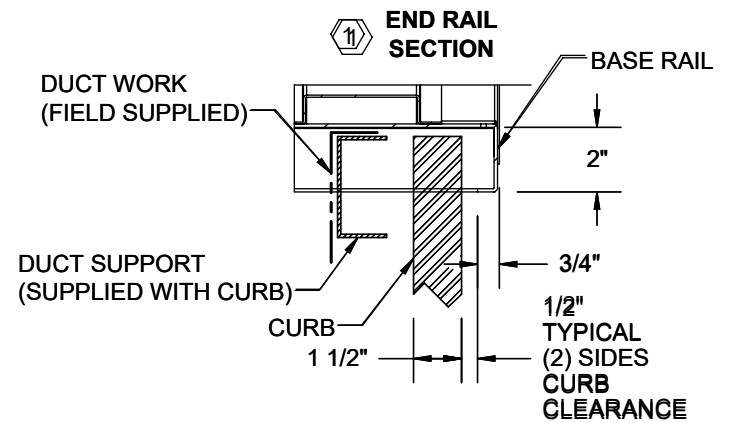
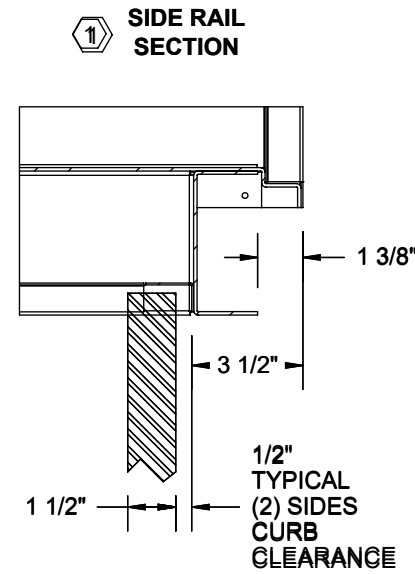
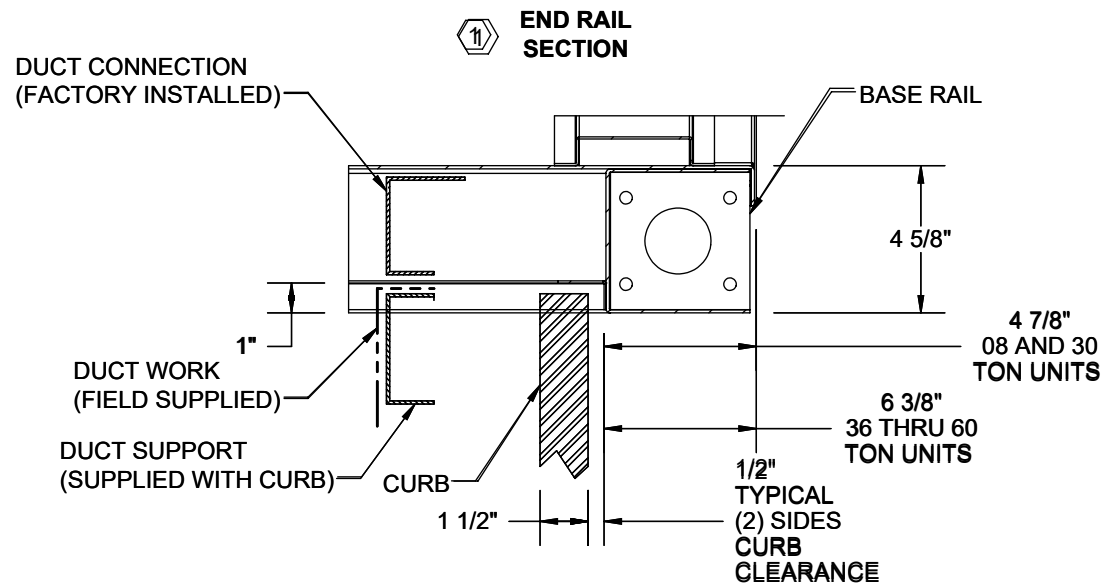
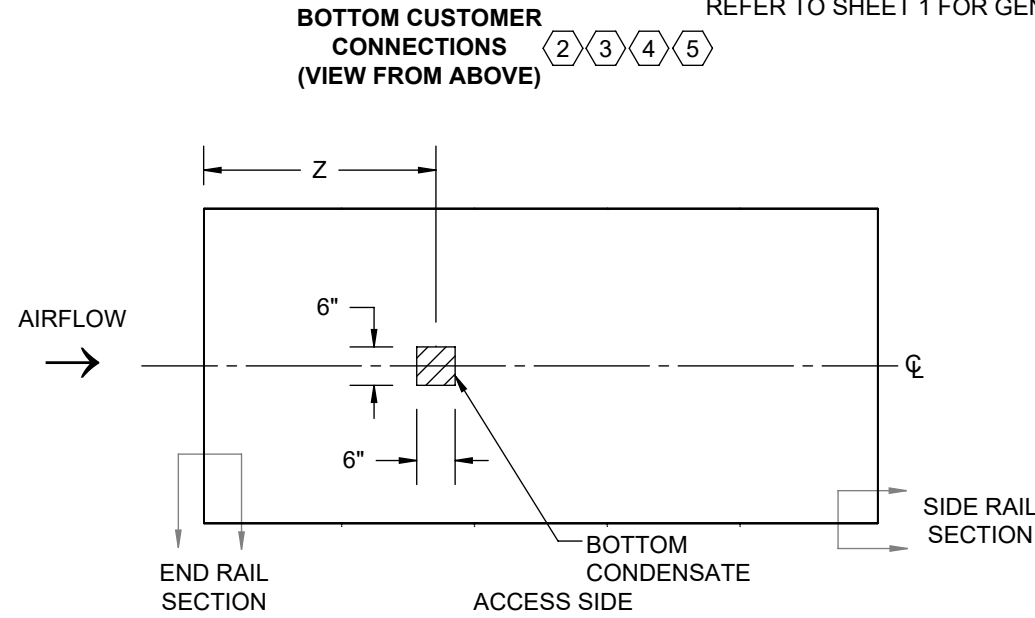
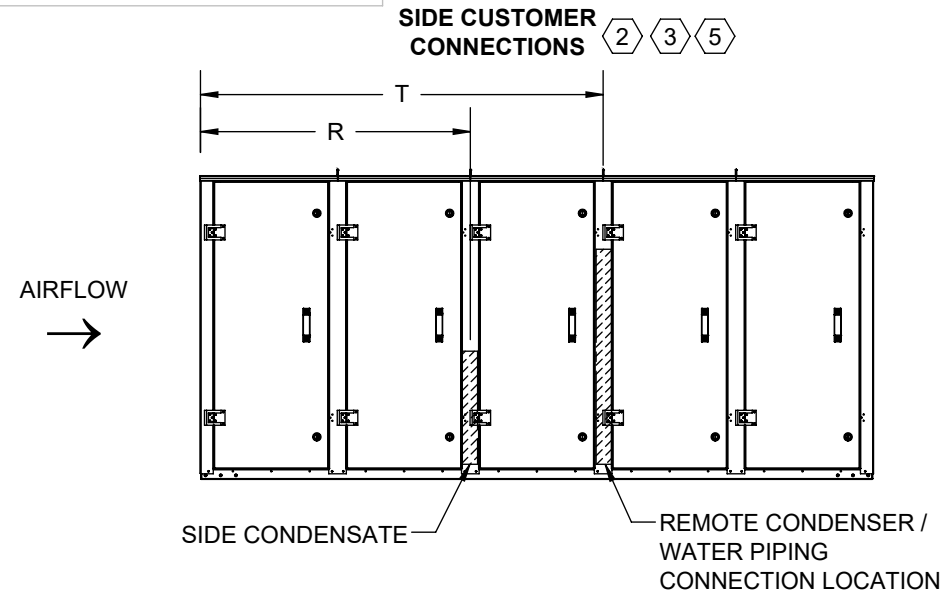


Part weight

Drawn	Date Released	Description
EAC	10/16/2020	GrowAire GS Split/Wtr Cld Ext
Sheet	1/6	Page Title
		GENERAL ARRANGEMENT
Scale	Rev.	Drawing Number
NTS	0	G815-007

ALL DIMENSIONS ARE IN INCHES  
TOLERANCE ± 1/8"

NOTES:  
REFER TO SHEET 1 FOR GENERAL NOTES.



UNIT SIZE (TONS)	CAB	DA PART #			NOM W	NOM H	QTY
		4" MERV 7/8	MERV 12	2" PRE			
2-5	24	870-056	870-133	870-057	18	24	2
8-15	36	870-028	870-128	870-022	16	20	6
20	44	870-028	870-128	870-022	16	20	4
		870-010	870-129	870-005	20	20	2
25-30	50	870-041	870-131	870-043	20	24	6
36-46	60	870-010	870-129	870-005	20	20	6
		870-028	870-128	870-022	16	20	6
50-60	72	870-028	870-128	870-022	16	20	12
		870-041	870-131	870-043	20	24	3

AIR FLOW	UNIT SIZE (TONS)	UNIT CABINET SIZES	R	T	Z	
END FLOW	02	24	53 1/4	53 1/4	30 1/4	
	03		53 1/4	53 1/4	30 1/4	
	05		53 1/4	53 1/4	30 1/4	
	08	36	42 3/8	83 7/8	42 3/8	
	10		42 3/8	83 7/8	42 3/8	
	15		42 3/8	83 7/8	42 3/8	
	20	44	45	88 7/8	44 7/8	
	25		45 3/4	91 1/2	45 3/4	
	30		45 3/4	91 1/2	45 3/4	
	DOWN FLOW	36	60	46 7/8	94	47
		40		46 7/8	94	47
		46		46 7/8	94	47
50		72	50 1/8	100 1/2	50 1/4	
56			50 1/8	100 1/2	50 1/4	
60			50 1/8	100 1/2	50 1/4	
TOP FLOW		02	24	53 1/4	53 1/4	30 1/4
		03		53 1/4	53 1/4	30 1/4
		05		53 1/4	53 1/4	30 1/4
		08	36	42 3/8	83 7/8	42 3/8
		10		42 3/8	83 7/8	42 3/8
		15		42 3/8	83 7/8	42 3/8
	20	44	45	88 7/8	44 7/8	
	25		45 3/4	91 1/2	45 3/4	
	30		45 3/4	91 1/2	45 3/4	
	36	60	46 7/8	94	47	
	40		46 7/8	94	47	
	46		46 7/8	94	47	
50	72	50 1/8	100 1/2	50 1/4		
56		50 1/8	100 1/2	50 1/4		
60		50 1/8	100 1/2	50 1/4		

Unit Size	2 TONS	3 TONS	5 TONS	8 TONS	10 TONS	15 TONS	20 TONS	25 TONS	30 TONS	36 TONS	40 TONS	46 TONS	50 TONS	56 TONS	60 TONS
RC DISCHARGE	1/2	5/8	3/4	7/8	7/8	1 1/8	1 1/8	1 1/8	1 3/8	1 1/8	1 1/8	1 1/8	1 1/8	1 1/8	1 1/8
RC RETURN	3/8	1/2	1/2	5/8	5/8	3/4	3/4	7/8	7/8	3/4	3/4	7/8	7/8	7/8	7/8
WATER INLET	7/8	7/8	1 1/8	1 3/8	1 3/8	1 5/8	2 5/8	2 5/8	2 5/8	2 5/8	3 1/8	3 1/8	3 1/8	3 5/8	3 5/8
WATER OUTLET	7/8	7/8	1 1/8	1 3/8	1 3/8	1 5/8	2 5/8	2 5/8	2 5/8	2 5/8	3 1/8	3 1/8	3 1/8	3 5/8	3 5/8
CONDENSATE	1	1	1	1	1	1	1	1	1	1	1	1	1	1	1

Desert Aire has a policy of continuous product and quality improvement. Specifications and dimensions are subject to change without notice. This drawing and information contained herein are the exclusive property of the Desert Aire Corporation. Any use detrimental to the interests of Desert Aire is prohibited.

All Dimensions in Inches  
All Angles 90°  
All outside corners 0.125" fillet  
Unless Otherwise Specified

Tolerance Unless Otherwise Specified  
X.X ±.125  
X.XX ±.060  
X.XXX ±.030  
Angles ±1°

N120 W18485 FREISTADT RD  
GERMANTOWN, WI 53022  
Tel: (262) 946-7400  
Fax: (262) 946-7401



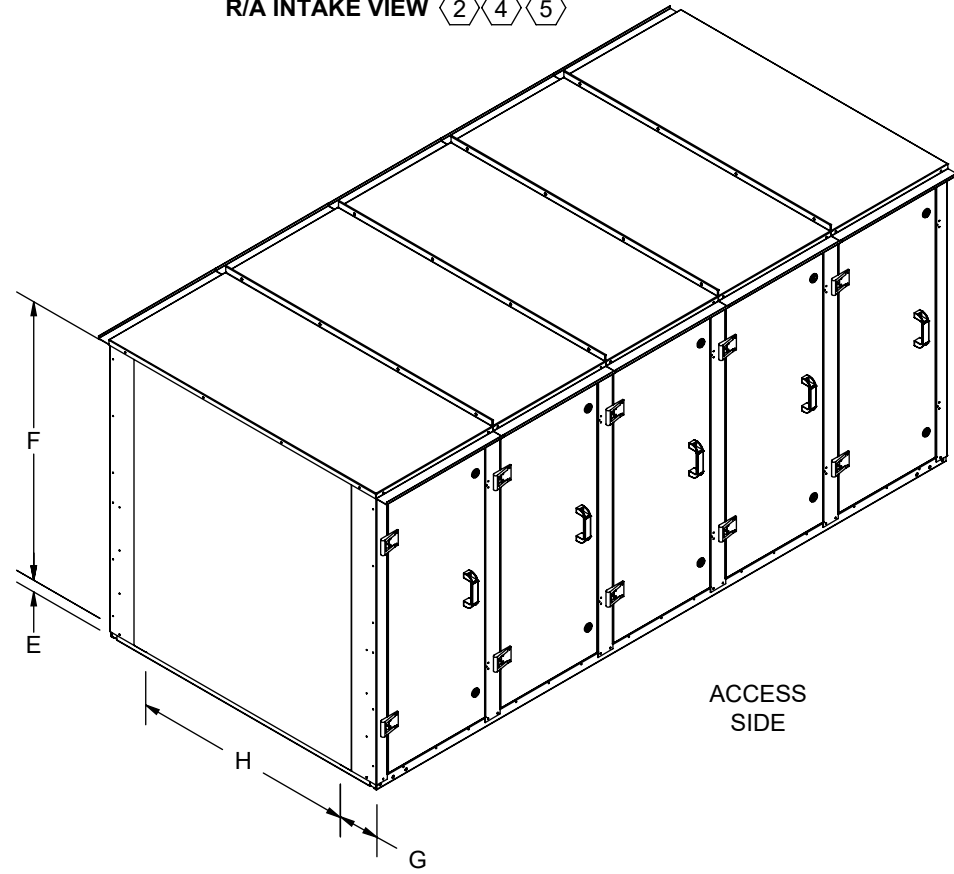
Third Angle Projection

Part weight

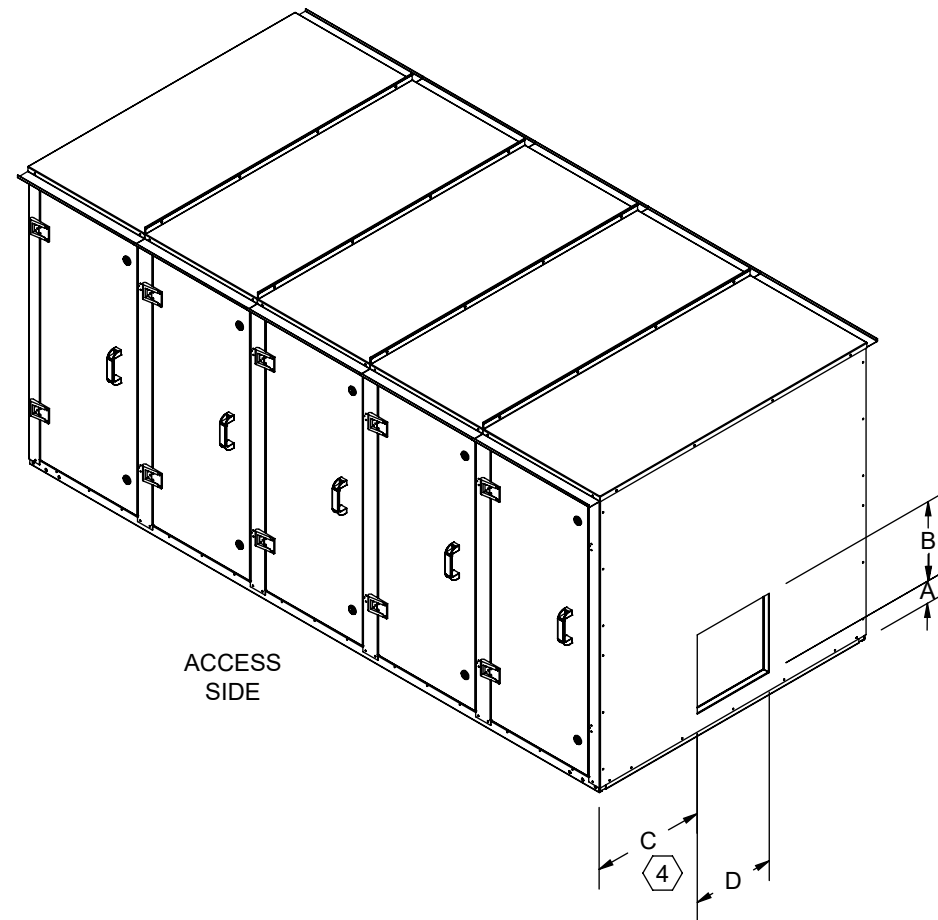
Drawn	Date Released	Description
EAC	10/16/2020	GrowAire GS Split/Wtr Cld Ext
Sheet	2/6	Page Title
Scale	NTS	Drawing Number
Rev.	0	G815-007

ALL DIMENSIONS ARE IN INCHES  
TOLERANCE ± 1/8"

R/A INTAKE VIEW 2 4 5



DISCHARGE VIEW 2 4 5



**NOTES:**  
 REFER TO SHEET 1 FOR GENERAL NOTES.  
 WEIGHTS SHOWN REFLECT FULLY OPTIONED  
 ESTIMATED UNIT WEIGHT.

UNIT SIZE (TONS)	UNIT CABINET SIZES	END DISCHARGE								TOTAL EST. WEIGHT (LBS.)
		SUPPLY DISCHARGE (in.)				O/A INTAKE (in.)				
		A	B	C <span style="border: 1px solid black; border-radius: 50%; padding: 2px;">4</span>	D	E	F	G	H	
02	24	3 3/4	11 1/2	13 5/8	9 7/8	2 1/8	39 3/4	6 5/8	23 7/8	1284
03		3 3/4	11 1/2	13 5/8	9 7/8	2 1/8	39 3/4	6 5/8	23 7/8	1308
05		3 3/4	11 1/2	13 5/8	9 7/8	2 1/8	39 3/4	6 5/8	23 7/8	1475
08	36	6 1/4	13 3/4	16 5/8	15 3/4	4 5/8	44 1/2	6 5/8	35 7/8	2132
10		6 1/4	13 3/4	16 5/8	15 3/4	4 5/8	44 1/2	6 5/8	35 7/8	2271
15		6 1/4	13 3/4	16 5/8	15 3/4	4 5/8	44 1/2	6 5/8	35 7/8	2708
20	44	6 1/4	16	17 7/8	18 3/4	4 5/8	48 1/2	5 1/4	43 7/8	3131
25	50	6 1/4	19	19 1/2	22 1/8	4 5/8	56 1/2	5 5/8	49 7/8	3576
30		6 1/4	19	19 1/2	22 1/8	4 5/8	56 1/2	5 5/8	49 7/8	3897
36	60	7 3/4	19	25 1/4	22 1/8	6 1/8	67 1/4	6 1/4	59 7/8	5040
40		7 3/4	19	25 1/4	22 1/8	6 1/8	67 1/4	6 1/4	59 7/8	5193
46		7 3/4	19	25 1/4	22 1/8	6 1/8	67 1/4	6 1/4	59 7/8	5347
50	72	7 3/4	25 3/8	31 1/8	25 1/4	6 1/8	75 1/2	7 3/4	71 7/8	5927
56		7 3/4	25 3/8	31 1/8	25 1/4	6 1/8	75 1/2	7 3/4	71 7/8	6318
60		7 3/4	25 3/8	31 1/8	25 1/4	6 1/8	75 1/2	7 3/4	71 7/8	6456

Desert Aire has a policy of continuous product and quality improvement. Specifications and dimensions are subject to change without notice. This drawing and information contained herein are the exclusive property of the Desert Aire Corporation. Any use detrimental to the interests of Desert Aire is prohibited.

All Dimensions in Inches  
 All Angles 90°  
 All outside corners 0.125" fillet  
 Unless Otherwise Specified

Tolerance Unless Otherwise Specified  
 X.X ±.125  
 X.XX ±.060  
 X.XXX ±.030  
 Angles ±1°

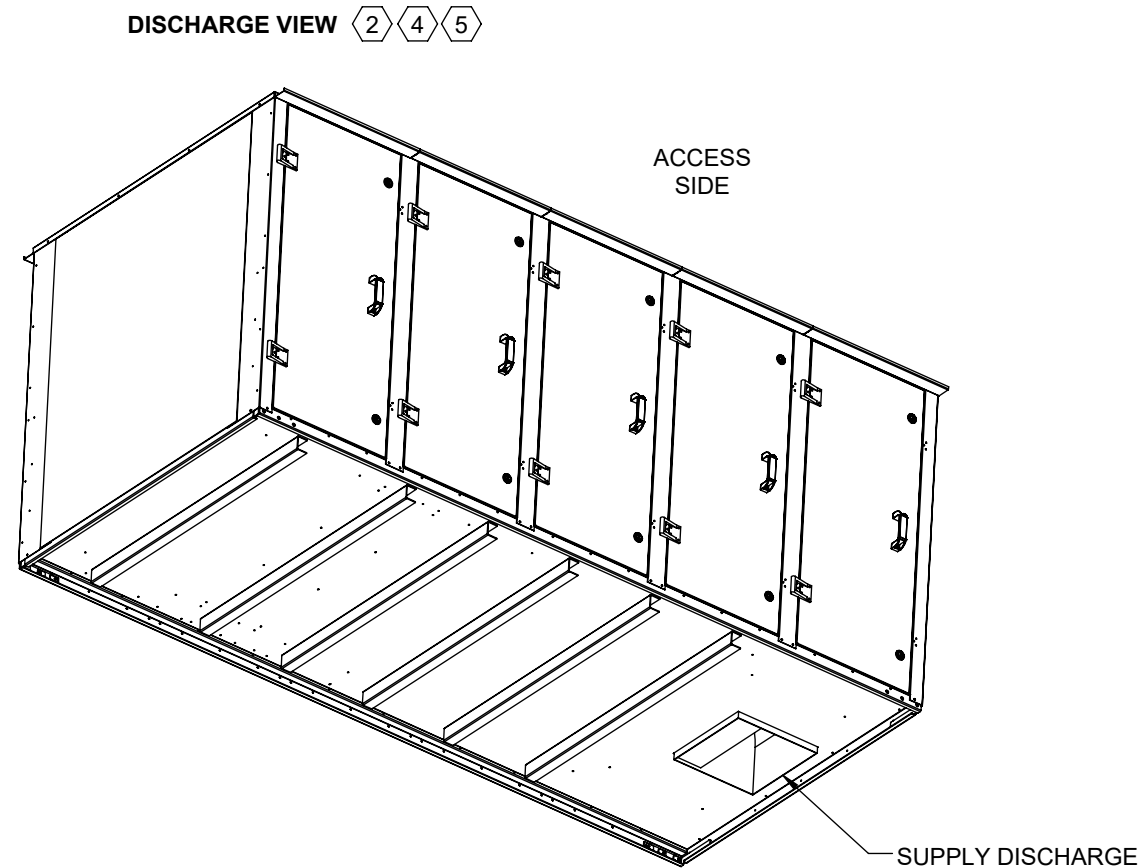
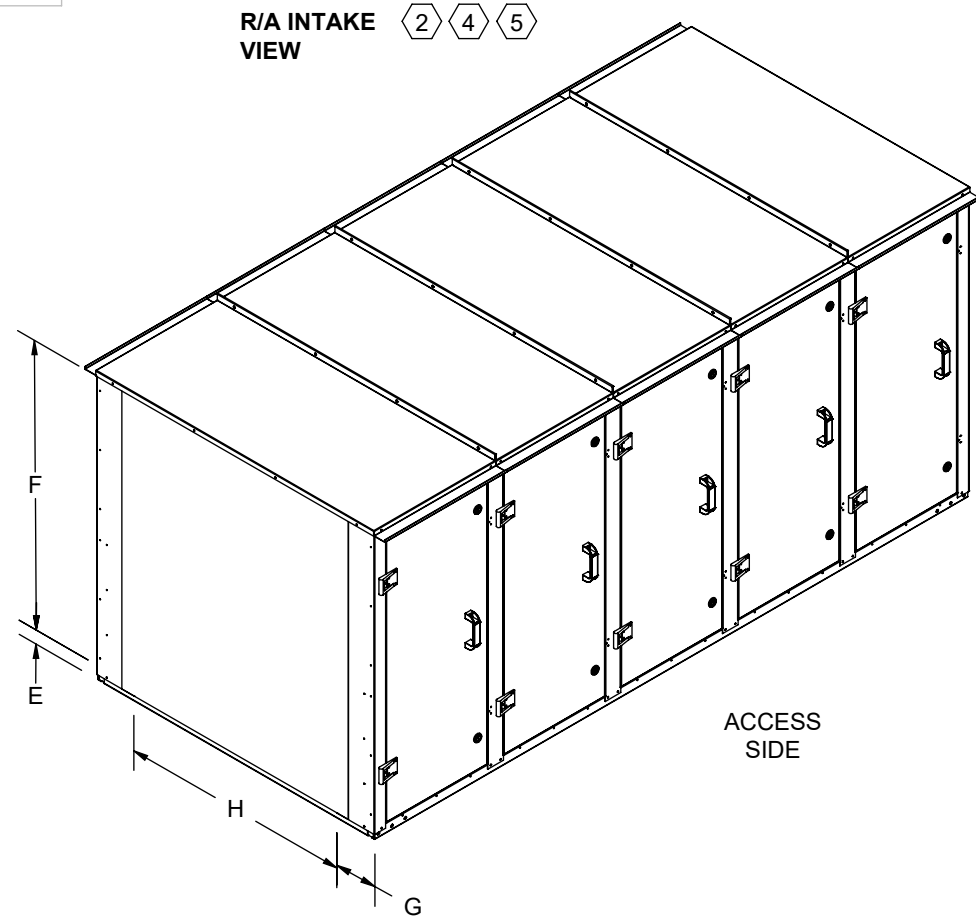
**DESERT AIRE**  
 N120 W18485 FREISTADT RD  
 GERMANTOWN, WI 53022  
 Tel: (262) 946-7400  
 Fax: (262) 946-7401

  
 Third Angle Projection

Drawn	Date Released	Description
EAC	10/16/2020	GrowAire GS Split/Wtr Cld Ext
Sheet	3/6	Page Title
		END DISCHARGE GA
Scale	Rev.	Drawing Number
NTS	0	G815-007

ALL DIMENSIONS ARE IN INCHES  
 TOLERANCE ± 1/8"

Part weight



**NOTES:**  
 REFER TO SHEET 1 FOR GENERAL NOTES.  
 WEIGHTS SHOWN REFLECT FULLY OPTIONED ESTIMATED UNIT WEIGHT.  
 REFER TO CURB DETAILS GA SHEET FOR SUPPLY DUCT DIMENSION AND LOCATIONS.

UNIT SIZE (TONS)	UNIT CABINET SIZES	DOWN DISCHARGE				TOTAL EST. WEIGHT (LBS.)
		O/A INTAKE (in.)				
		E	F	G	H	
02	24	2 1/8	39 3/4	6 5/8	23 7/8	1284
03		2 1/8	39 3/4	6 5/8	23 7/8	1308
05		2 1/8	39 3/4	6 5/8	23 7/8	1475
08	36	4 5/8	44 1/2	6 5/8	35 7/8	2132
10		4 5/8	44 1/2	6 5/8	35 7/8	2271
15		4 5/8	44 1/2	6 5/8	35 7/8	2708
20	44	4 5/8	48 1/2	5 1/4	43 7/8	3131
25	50	4 5/8	56 1/2	5 5/8	49 7/8	3576
30		4 5/8	56 1/2	5 5/8	49 7/8	3897
36	60	6 1/8	67 1/4	6 1/4	59 7/8	5040
40		6 1/8	67 1/4	6 1/4	59 7/8	5193
46		6 1/8	67 1/4	6 1/4	59 7/8	5347
50	72	6 1/8	75 1/2	7 3/4	71 7/8	5927
56		6 1/8	75 1/2	7 3/4	71 7/8	6318
60		6 1/8	75 1/2	7 3/4	71 7/8	6456

Desert Aire has a policy of continuous product and quality improvement. Specifications and dimensions are subject to change without notice. This drawing and information contained herein are the exclusive property of the Desert Aire Corporation. Any use detrimental to the interests of Desert Aire is prohibited.

All Dimensions in Inches  
 All Angles 90°  
 All outside corners 0.125" fillet  
 Unless Otherwise Specified

Tolerance Unless Otherwise Specified  
 X.X ±.125  
 X.XX ±.060  
 X.XXX ±.030  
 Angles ±1°

**DESERT AIRE**  
 N120 W18485 FREISTADT RD  
 GERMANTOWN, WI 53022  
 Tel: (262) 946-7400  
 Fax: (262) 946-7401

Third Angle Projection

Drawn	Date Released	Description
EAC	10/16/2020	GrowAire GS Split/Wtr Cld Ext
Sheet	Page Title	
4/6	DOWN DISCHARGE GA	
Scale	Rev.	Drawing Number
NTS	0	G815-007

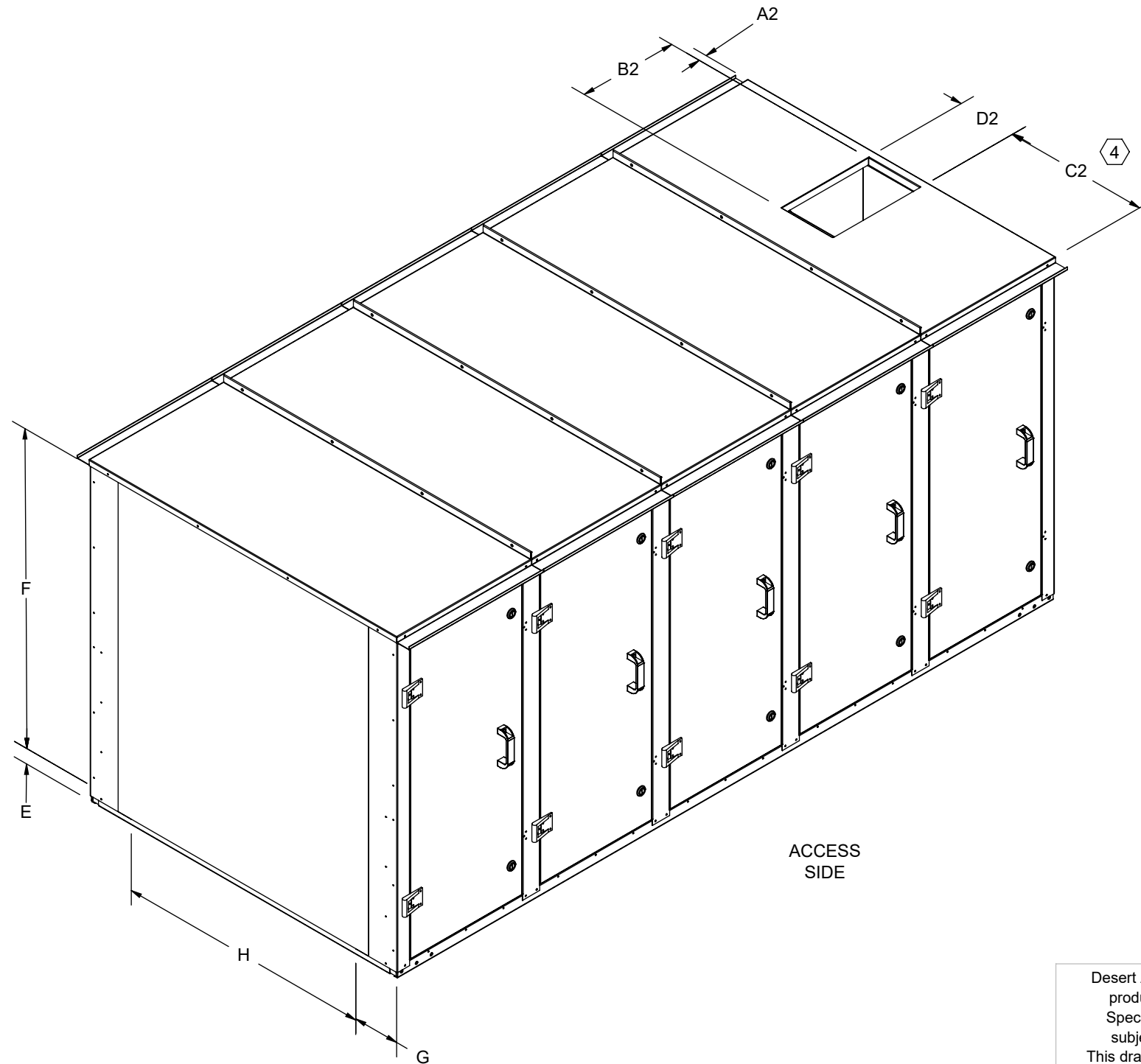
ALL DIMENSIONS ARE IN INCHES  
 TOLERANCE ± 1/8"

Part weight



**NOTES:**  
 REFER TO SHEET 1 FOR GENERAL NOTES.  
 WEIGHTS SHOWN REFLECT FULLY OPTIONED  
 ESTIMATED UNIT WEIGHT.

R/A INTAKE /  
 DISCHARGE VIEW 2 4 5



UNIT SIZE (TONS)	UNIT CABINET SIZES	TOP DISCHARGE								TOTAL EST. WEIGHT (LBS.)
		SUPPLY DISCHARGE (in.)				O/A INTAKE (in.)				
		A2	B2	C2 <span style="border: 1px solid black; border-radius: 50%; padding: 1px;">4</span>	D2	E	F	G	H	
02	24	1 1/4	12 1/2	13 5/8	9 7/8	2 1/8	39 3/4	6 5/8	23 7/8	1284
03		1 1/4	12 1/2	13 5/8	9 7/8	2 1/8	39 3/4	6 5/8	23 7/8	1308
05		1 1/4	12 1/2	13 5/8	9 7/8	2 1/8	39 3/4	6 5/8	23 7/8	1475
08	36	1 1/4	14 3/4	16 5/8	15 3/4	4 5/8	44 1/2	6 5/8	35 7/8	2132
10		1 1/4	14 3/4	16 5/8	15 3/4	4 5/8	44 1/2	6 5/8	35 7/8	2271
15		1 1/4	14 3/4	16 5/8	15 3/4	4 5/8	44 1/2	6 5/8	35 7/8	2708
20	44	1 1/4	17	17 7/8	18 3/4	4 5/8	48 1/2	5 1/4	43 7/8	3131
25	50	1 1/4	20	19 1/2	22 1/8	4 5/8	56 1/2	5 5/8	49 7/8	3576
30		1 1/4	20	19 1/2	22 1/8	4 5/8	56 1/2	5 5/8	49 7/8	3897
36		1 1/4	20	25 1/4	22 1/8	6 1/8	67 1/4	6 1/4	59 7/8	5040
40	60	1 1/4	20	25 1/4	22 1/8	6 1/8	67 1/4	6 1/4	59 7/8	5193
46		1 1/4	20	25 1/4	22 1/8	6 1/8	67 1/4	6 1/4	59 7/8	5347
50		1 1/4	26 3/8	31 1/8	25 1/4	6 1/8	75 1/2	7 3/4	71 7/8	5927
56	72	1 1/4	26 3/8	31 1/8	25 1/4	6 1/8	75 1/2	7 3/4	71 7/8	6318
60		1 1/4	26 3/8	31 1/8	25 1/4	6 1/8	75 1/2	7 3/4	71 7/8	6456

ACCESS SIDE

Desert Aire has a policy of continuous product and quality improvement. Specifications and dimensions are subject to change without notice. This drawing and information contained herein are the exclusive property of the Desert Aire Corporation. Any use detrimental to the interests of Desert Aire is prohibited.

All Dimensions in Inches  
 All Angles 90°  
 All outside corners 0.125" fillet  
 Unless Otherwise Specified

Tolerance Unless Otherwise Specified  
 X.X ±.125  
 X.XX ±.060  
 X.XXX ±.030  
 Angles ±1°

**DESERT AIRE**  
 N120 W18485 FREISTADT RD  
 GERMANTOWN, WI 53022  
 Tel: (262) 946-7400  
 Fax: (262) 946-7401



Third Angle Projection

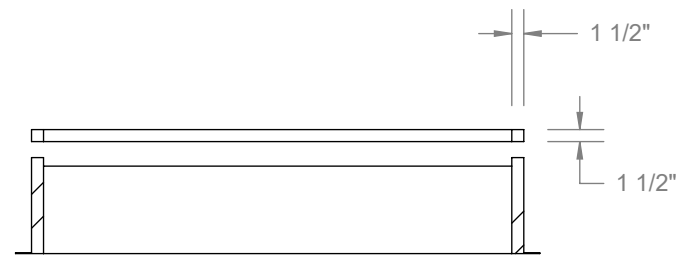
ALL DIMENSIONS ARE IN INCHES  
 TOLERANCE ± 1/8"

Part weight

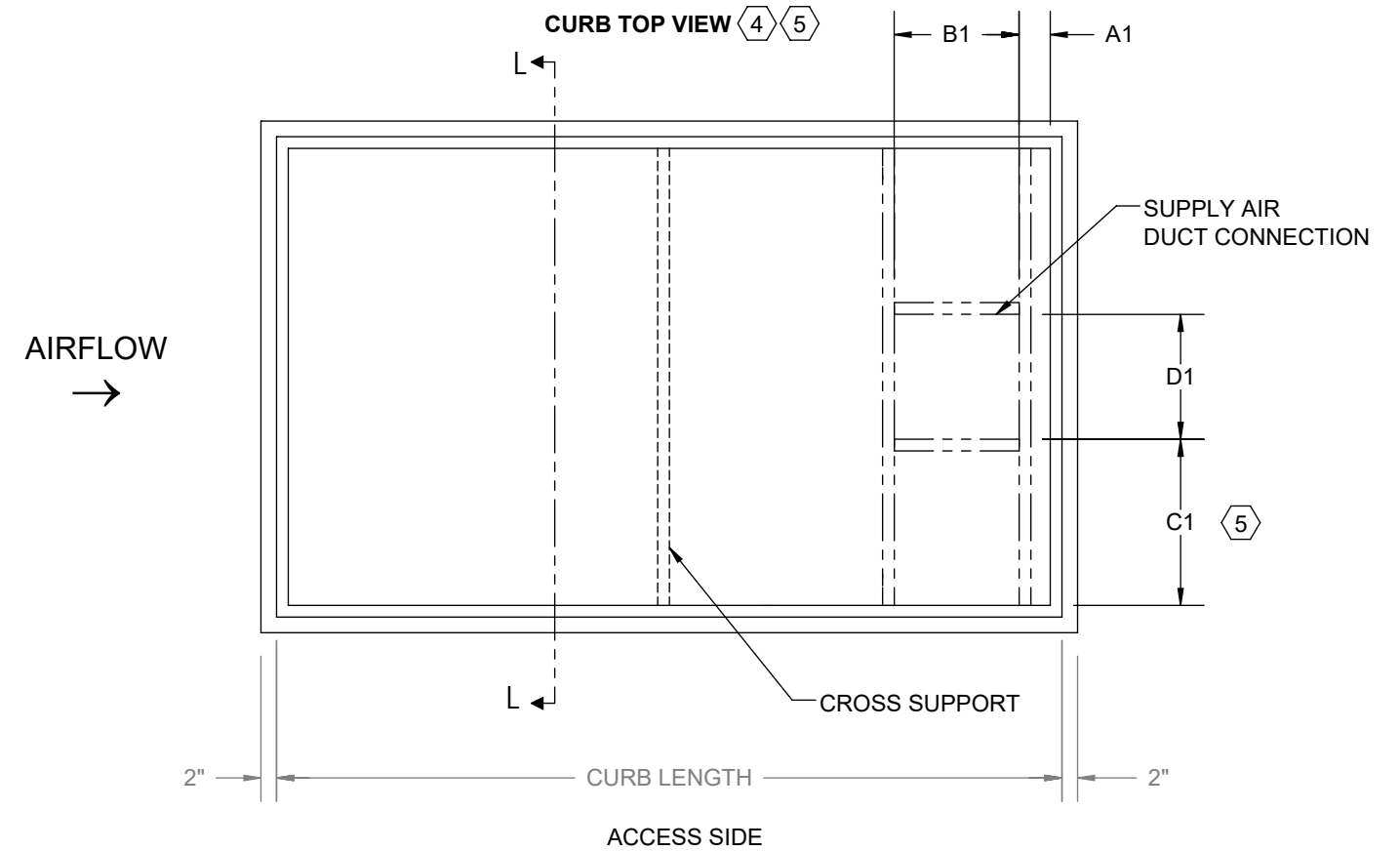
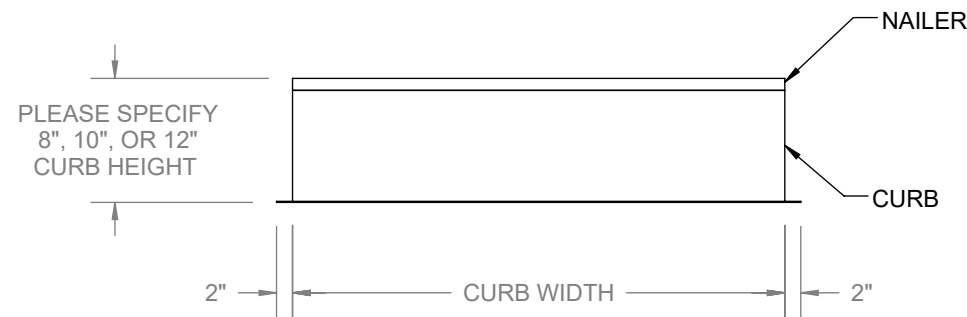
Drawn	Date Released	Description
EAC	10/16/2020	GrowAire GS Split/Wtr Cld Ext
Sheet	5/6	Page Title
		TOP DISCHARGE GA
Scale	Rev.	Drawing Number
NTS	0	G815-007

**NOTES:**  
 REFER TO SHEET 1 FOR GENERAL NOTES.  
 CURBS 120" AND LESS ARE SHIPPED AS COMPLETE CURBS. GREATER THAN 120" ARE SHIPPED KNOCKED DOWN.  
 NUMBER AND LOCATION OF CROSS SUPPORT(S) IS DEPENDANT UPON THE GAUGE OF MATERIAL USED TO CONSTRUCT THE CURB, DUCT SUPPORT CONFIGURATION, LENGTH OF CURB AND WIDTH OF CURB. INSTALLATION INSTRUCTIONS INCLUDED WITH CURB SHIPMENT INDICATE THE REQUIRED POSITION FOR FIELD ASSEMBLED CURBS

UNIT SIZE (TONS)	UNIT CABINET SIZES	END FLOW ROOFCURB DIMS			TOP FLOW ROOFCURB DIMS			DOWN FLOW ROOFCURB DIMS						
		CURB P/N	WIDTH (in.)	LENGTH (in.)	CURB P/N	WIDTH (in.)	LENGTH (in.)	CURB P/N	WIDTH (in.)	LENGTH (in.)	SUPPLY DISCHARGE (in.)			
											A1	B1	C1	D1
02	24	CB02NNA N04-XX	33 1/2	103 7/8	CB02NNBN04-XX	33 1/2	103 7/8	CB02NNCN04-XX	33 1/2	103 7/8	0	11 1/2	10 3/8	9 7/8
03		CB03NNA N04-XX	33 1/2	103 7/8	CB03NNBN04-XX	33 1/2	103 7/8	CB03NNCN04-XX	33 1/2	103 7/8	0	11 1/2	10 3/8	9 7/8
05		CB05NNA N04-XX	33 1/2	103 7/8	CB05NNBN04-XX	33 1/2	103 7/8	CB05NNCN04-XX	33 1/2	103 7/8	0	11 1/2	10 3/8	9 7/8
08	36	CB08NNA N06-XX	41 1/8	115 3/8	CB08NNBN06-XX	41 1/8	115 3/8	CB08NNCN06-XX	41 1/8	115 3/8	0	13 3/4	11 1/8	15 3/4
10		CB10NNA N06-XX	41 1/8	115 3/8	CB10NNBN06-XX	41 1/8	115 3/8	CB10NNCN06-XX	41 1/8	115 3/8	0	13 3/4	11 1/8	15 3/4
15		CB15NNA N06-XX	41 1/8	115 3/8	CB15NNBN06-XX	41 1/8	115 3/8	CB15NNCN06-XX	41 1/8	115 3/8	0	13 3/4	11 1/8	15 3/4
20	44	CB20NNA N06-XX	46 1/2	123 1/8	CB20NNBN06-XX	46 1/2	123 1/8	CB20NNCN06-XX	46 1/2	123 1/8	0	16	12 3/8	18 3/4
25	50	CB25NNA N06-XX	53 1/8	126 1/2	CB25NNBN06-XX	53 1/8	126 1/2	CB25NNCN06-XX	53 1/8	126 1/2	0	19	14	22 1/8
30		CB30NNA N06-XX	53 1/8	126 1/2	CB30NNBN06-XX	53 1/8	126 1/2	CB30NNCN06-XX	53 1/8	126 1/2	0	19	14	22 1/8
36	60	CB36NNA N06-XX	64 1/2	127 1/8	CB36NNBN06-XX	64 1/2	127 1/8	CB36NNCN06-XX	64 1/2	127 1/8	0	19	19 3/4	22 1/8
40		CB40NNA N06-XX	64 1/2	127 1/8	CB40NNBN06-XX	64 1/2	127 1/8	CB40NNCN06-XX	64 1/2	127 1/8	0	19	19 3/4	22 1/8
46		CB46NNA N06-XX	64 1/2	127 1/8	CB46NNBN06-XX	64 1/2	127 1/8	CB46NNCN06-XX	64 1/2	127 1/8	0	19	19 3/4	22 1/8
50	72	CB50NNA N06-XX	79 1/2	136 7/8	CB50NNBN06-XX	79 1/2	136 7/8	CB50NNCN06-XX	79 1/2	136 7/8	0	25 1/4	25 5/8	25 1/4
56		CB56NNA N06-XX	79 1/2	136 7/8	CB56NNBN06-XX	79 1/2	136 7/8	CB56NNCN06-XX	79 1/2	136 7/8	0	25 1/4	25 5/8	25 1/4
60		CB60NNA N06-XX	79 1/2	136 7/8	CB60NNBN06-XX	79 1/2	136 7/8	CB60NNCN06-XX	79 1/2	136 7/8	0	25 1/4	25 5/8	25 1/4



SECTION L-L



----- DUCT CONNECTIONS FOR DOWN DISCHARGE -----

Desert Aire has a policy of continuous product and quality improvement. Specifications and dimensions are subject to change without notice. This drawing and information contained herein are the exclusive property of the Desert Aire Corporation. Any use detrimental to the interests of Desert Aire is prohibited.	All Dimensions in Inches All Angles 90° All outside corners 0.125" fillet Unless Otherwise Specified	Tolerance Unless Otherwise Specified X.X ±.125 X.XX ±.060 X.XXX ±.030 Angles ±1°	N120 W18485 FREISTADT RD GERMANTOWN, WI 53022 Tel: (262) 946-7400 Fax: (262) 946-7401
ALL DIMENSIONS ARE IN INCHES TOLERANCE ± 1/8"	<p>Third Angle Projection</p>	Drawn: EAC Date Released: 10/16/2020 Sheet: 6/6 Scale: NTS	Description: GrowAire GS Split/Wtr Cld Ext Page Title: CURB DETAILS GA Drawing Number: G815-007