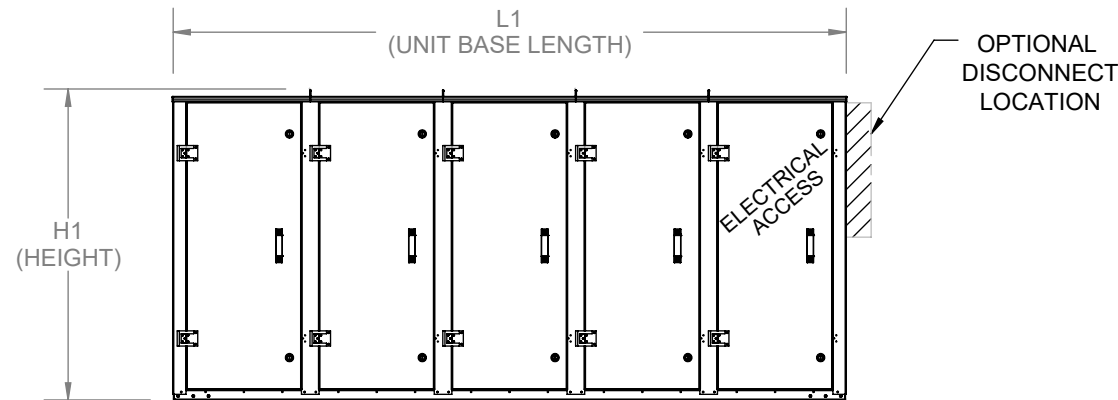


ACCESS SIDE VIEW ⑤ ⑥



AIRFLOW →

AIR FLOW	UNIT SIZE (TONS)	UNIT CABINET SIZES	L1	W1	H1	W2	
END FLOW	02	24	80 3/8	37 1/8	43 7/8	43 1/8	
	03		80 3/8	37 1/8	43 7/8	43 1/8	
	05		80 3/8	37 1/8	43 7/8	43 1/8	
	10	36	105 3/8	49 1/8	48 5/8	55 1/8	
			15	105 3/8	49 1/8	48 5/8	55 1/8
			20	111 7/8	54 1/2	52 5/8	60 1/2
	25	50	114 3/8	61 1/8	63 1/8	67 1/8	
			30	114 3/8	61 1/8	63 1/8	67 1/8
			36	117 3/8	72 1/2	75 3/8	78 1/2
	40	60	117 3/8	72 1/2	75 3/8	78 1/2	
			46	117 3/8	72 1/2	75 3/8	78 1/2
			50	125 3/8	87 1/2	83 5/8	93 1/2
56	72	125 3/8	87 1/2	83 5/8	93 1/2		
		60	125 3/8	87 1/2	83 5/8	93 1/2	
		02	24	80 3/8	37 1/8	43 7/8	43 1/8
03	80 3/8	37 1/8		43 7/8	43 1/8		
05	80 3/8	37 1/8		43 7/8	43 1/8		
10	36	105 3/8	49 1/8	48 5/8	55 1/8		
		15	105 3/8	49 1/8	48 5/8	55 1/8	
		20	111 7/8	54 1/2	52 5/8	60 1/2	
25	50	114 3/8	61 1/8	63 1/8	67 1/8		
		30	114 3/8	61 1/8	63 1/8	67 1/8	
		36	117 3/8	72 1/2	75 3/8	78 1/2	
40	60	117 3/8	72 1/2	75 3/8	78 1/2		
		46	117 3/8	72 1/2	75 3/8	78 1/2	
		50	125 3/8	87 1/2	83 5/8	93 1/2	
56	72	125 3/8	87 1/2	83 5/8	93 1/2		
		60	125 3/8	87 1/2	83 5/8	93 1/2	
		02	24	80 3/8	37 1/8	43 7/8	43 1/8
03	80 3/8	37 1/8		43 7/8	43 1/8		
05	80 3/8	37 1/8		43 7/8	43 1/8		
10	36	105 3/8	49 1/8	48 5/8	55 1/8		
		15	105 3/8	49 1/8	48 5/8	55 1/8	
		20	111 7/8	54 1/2	52 5/8	60 1/2	
25	50	114 3/8	61 1/8	63 1/8	67 1/8		
		30	114 3/8	61 1/8	63 1/8	67 1/8	
		36	117 3/8	72 1/2	75 3/8	78 1/2	
40	60	117 3/8	72 1/2	75 3/8	78 1/2		
		46	117 3/8	72 1/2	75 3/8	78 1/2	
		50	125 3/8	87 1/2	83 5/8	93 1/2	
56	72	125 3/8	87 1/2	83 5/8	93 1/2		
		60	125 3/8	87 1/2	83 5/8	93 1/2	

GENERAL NOTES AS REFERENCED BY INDIVIDUAL SHEETS:

- ① PORTION OF SECTIONED OR DETAILED DRAWING HAS BEEN OMITTED FOR CLARITY.
- ② VIEW IS FOR PICTORAL PURPOSES. REFER TO PAGE 1 FOR UNIT TYPE SPECIFIC VIEW.
- ③ REFER TO SUBMITTAL FOR CUSTOMER CONNECTION LOCATIONS.
- ④ DIMENSIONS ARE TO ACCESS SIDE OF UNIT.
- ⑤ RH ACCESS SHOWN FOR DISPLAY PURPOSES. ACCESS DOOR CONFIGURATION MAY CHANGE DEPENDING ON UNIT SIZE.
- ⑥ REFER TO SHEET 3,4,5 FOR INTAKE AND DISCHARGE CONNECTION DIMENSIONS.

Desert Aire has a policy of continuous product and quality improvement. Specifications and dimensions are subject to change without notice. This drawing and information contained herein are the exclusive property of the Desert Aire Corporation. Any use detrimental to the interests of Desert Aire is prohibited.

All Dimensions in Inches
All Angles 90°
All outside corners 0.125" fillet
Unless Otherwise Specified

Tolerance Unless Otherwise Specified
X.X ±.125
X.XX ±.060
X.XXX ±.030
Angles ±1°

DESERT AIRE
N120 W18485 FREISTADT RD
GERMANTOWN, WI 53022
Tel: (262) 946-7400
Fax: (262) 946-7401

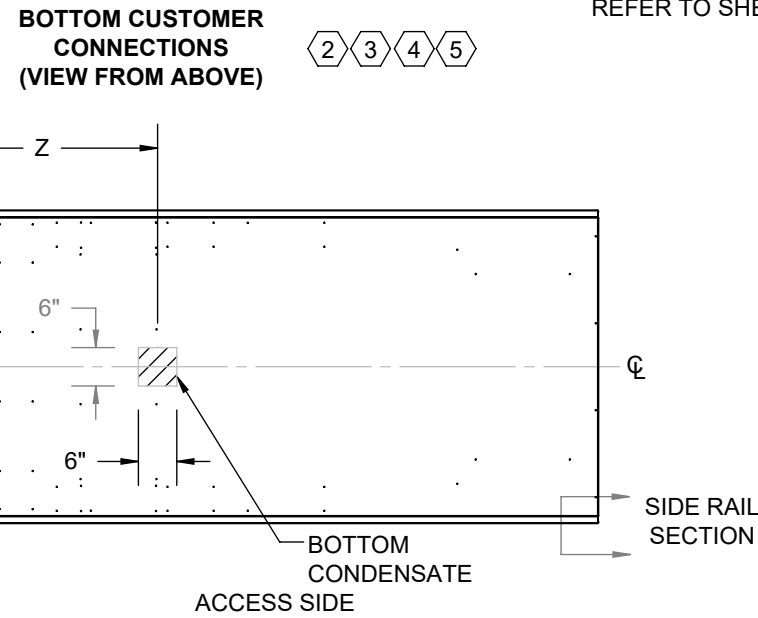
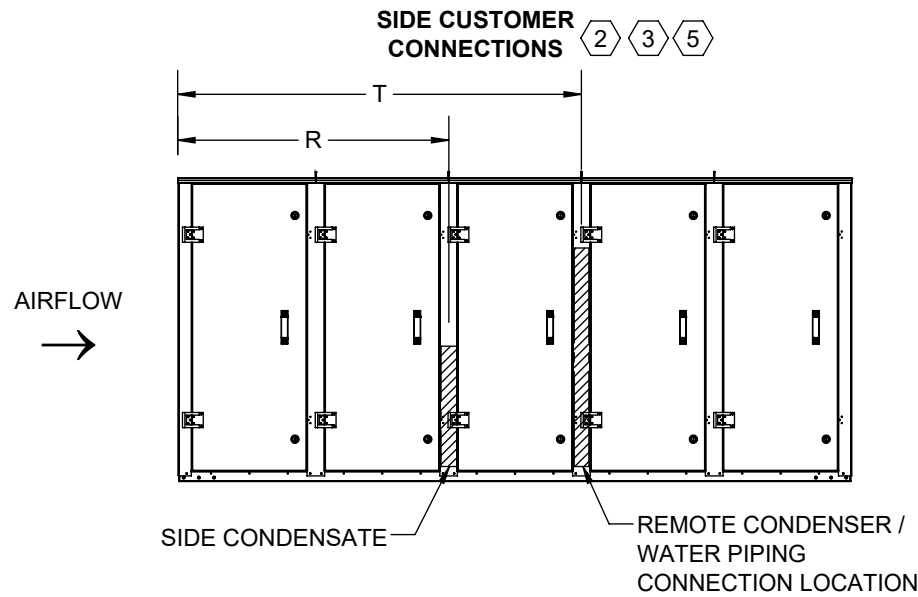


Part weight

Drawn	Date Released	Description
EAC	10/16/2020	GrowAire GS Split/Wtr Cld
Sheet	1/6	Page Title
		GENERAL ARRANGEMENT
Scale	Rev.	Drawing Number
NTS	0	G815-001

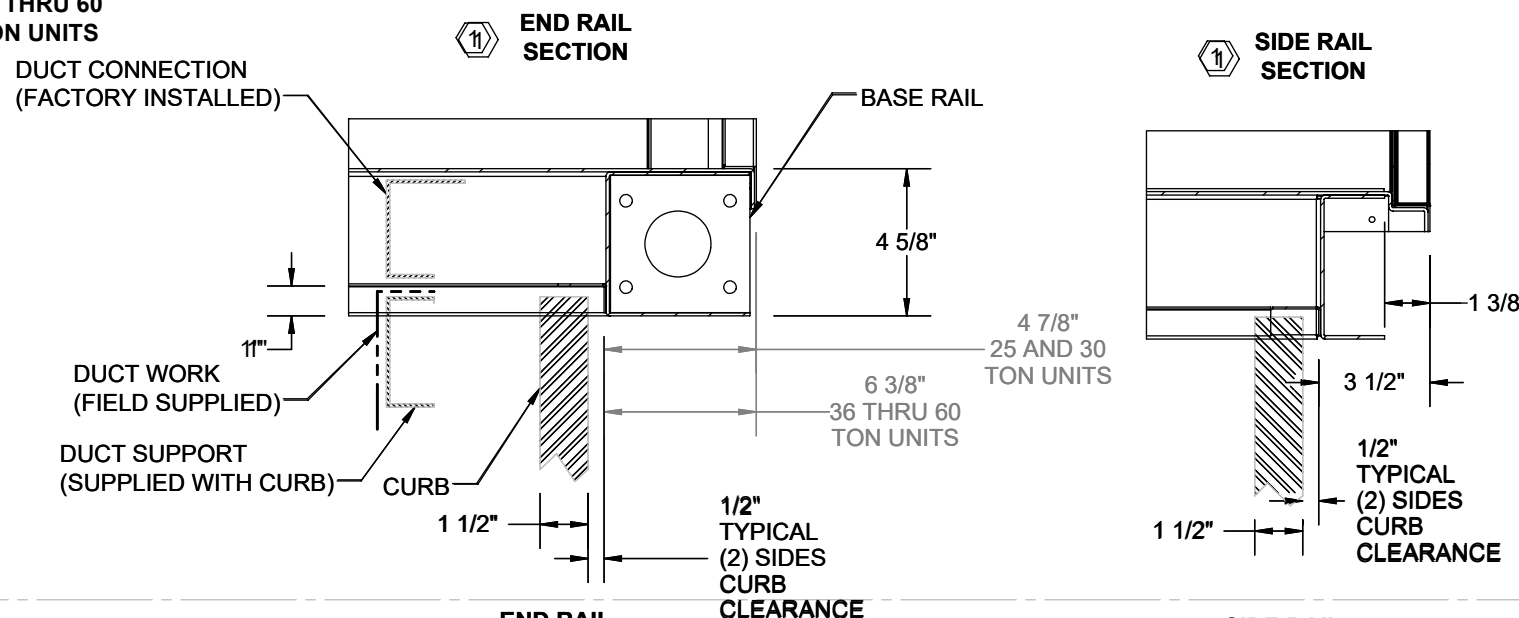
ALL DIMENSIONS ARE IN INCHES
FRACTIONAL TOLERANCE ± 1/8"

NOTES:
REFER TO SHEET 1 FOR GENERAL NOTES.

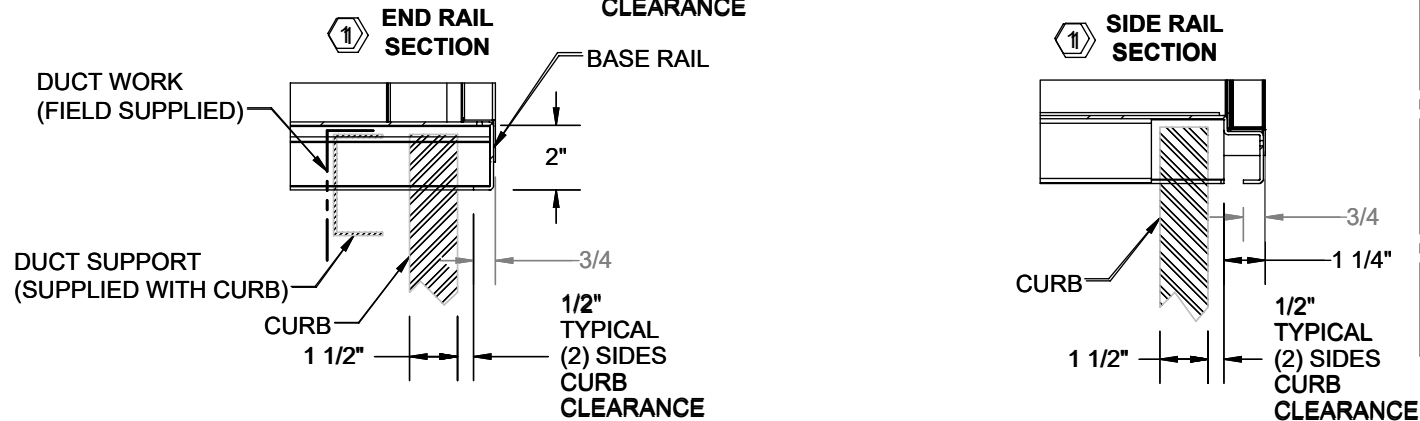


AIR FLOW	UNIT SIZE (TONS)	UNIT CABINET SIZES	R	T	Z
END FLOW	02	24	27 1/8	27 1/8	30 1/4
	03		27 1/8	27 1/8	30 1/4
	05		27 1/8	27 1/8	30 1/4
	10	36	42 3/8	63 1/8	42 3/8
			42 3/8	63 1/8	42 3/8
			42 3/8	63 1/8	42 3/8
	20	44	45	67	44 7/8
			45 3/4	68 5/8	45 3/4
	25	50	45 3/4	68 5/8	45 3/4
			45 3/4	68 5/8	45 3/4
	36	60	46 7/8	70 1/2	47
			46 7/8	70 1/2	47
46 7/8			70 1/2	47	
50	72	50 1/8	75 3/8	50 1/4	
		50 1/8	75 3/8	50 1/4	
		50 1/8	75 3/8	50 1/4	
DOWN FLOW	02	24	27 1/8	27 1/8	30 1/4
	03		27 1/8	27 1/8	30 1/4
	05		27 1/8	27 1/8	30 1/4
	10	36	42 3/8	63 1/8	42 3/8
			42 3/8	63 1/8	42 3/8
			42 3/8	63 1/8	42 3/8
	20	44	45	67	44 7/8
			45 3/4	68 5/8	45 3/4
	25	50	45 3/4	68 5/8	45 3/4
			45 3/4	68 5/8	45 3/4
	36	60	46 7/8	70 1/2	47
			46 7/8	70 1/2	47
46 7/8			70 1/2	47	
50	72	50 1/8	75 3/8	50 1/4	
		50 1/8	75 3/8	50 1/4	
		50 1/8	75 3/8	50 1/4	
TOP FLOW	02	24	27 1/8	27 1/8	30 1/4
	03		27 1/8	27 1/8	30 1/4
	05		27 1/8	27 1/8	30 1/4
	10	36	42 3/8	63 1/8	42 3/8
			42 3/8	63 1/8	42 3/8
			42 3/8	63 1/8	42 3/8
	20	44	45	67	44 7/8
			45 3/4	68 5/8	45 3/4
	25	50	45 3/4	68 5/8	45 3/4
			45 3/4	68 5/8	45 3/4
	36	60	46 7/8	70 1/2	47
			46 7/8	70 1/2	47
46 7/8			70 1/2	47	
50	72	50 1/8	75 3/8	50 1/4	
		50 1/8	75 3/8	50 1/4	
		50 1/8	75 3/8	50 1/4	

25 THRU 60 TON UNITS



02 THRU 20 TON UNITS



UNIT SIZE (TONS)	CAB	DA PART #			NOM W	NOM H	QTY
		4" MERV 7/8	MERV 12	2" PRE			
2-5	24	870-056	870-133	870-057	18	24	2
8-15	36	870-028	870-128	870-022	16	20	6
		870-010	870-129	870-005	20	20	2
20	44	870-041	870-131	870-043	20	24	6
		870-028	870-129	870-005	20	20	6
25-30	50	870-028	870-128	870-022	16	20	6
		870-041	870-131	870-043	20	24	6
36-46	60	870-028	870-128	870-022	16	20	12
		870-041	870-131	870-043	20	24	3

CUSTOMER CONNECTION LINE SIZE SUMMARY (in.)

Unit Size	2 TONS	3 TONS	5 TONS	8 TONS	10 TONS	15 TONS	20 TONS	25 TONS	30 TONS	36 TONS	40 TONS	46 TONS	50 TONS	56 TONS	60 TONS
RC DISCHARGE	1/2	5/8	3/4	7/8	7/8	1 1/8	1 1/8	1 1/8	1 3/8	1 1/8	1 1/8	1 1/8	1 1/8	1 1/8	1 1/8
RC RETURN	3/8	1/2	1/2	5/8	5/8	3/4	3/4	7/8	7/8	3/4	3/4	7/8	7/8	7/8	7/8
WATER INLET	7/8	7/8	1 1/8	1 3/8	1 3/8	1 5/8	2 5/8	2 5/8	2 5/8	2 5/8	3 1/8	3 1/8	3 1/8	3 5/8	3 5/8
WATER OUTLET	7/8	7/8	1 1/8	1 3/8	1 3/8	1 5/8	2 5/8	2 5/8	2 5/8	2 5/8	3 1/8	3 1/8	3 1/8	3 5/8	3 5/8
CONDENSATE	1	1	1	1	1	1	1	1	1	1	1	1	1	1	1

Desert Aire has a policy of continuous product and quality improvement. Specifications and dimensions are subject to change without notice. This drawing and information contained herein are the exclusive property of the Desert Aire Corporation. Any use detrimental to the interests of Desert Aire is prohibited.

All Dimensions in Inches
All Angles 90°
All outside corners 0.125" fillet
Unless Otherwise Specified

Tolerance Unless Otherwise Specified
X.X ±.125
X.XX ±.060
X.XXX ±.030
Angles ±1°

DESERT AIRE
N120 W18485 FREISTADT RD
GERMANTOWN, WI 53022
Tel: (262) 946-7400
Fax: (262) 946-7401



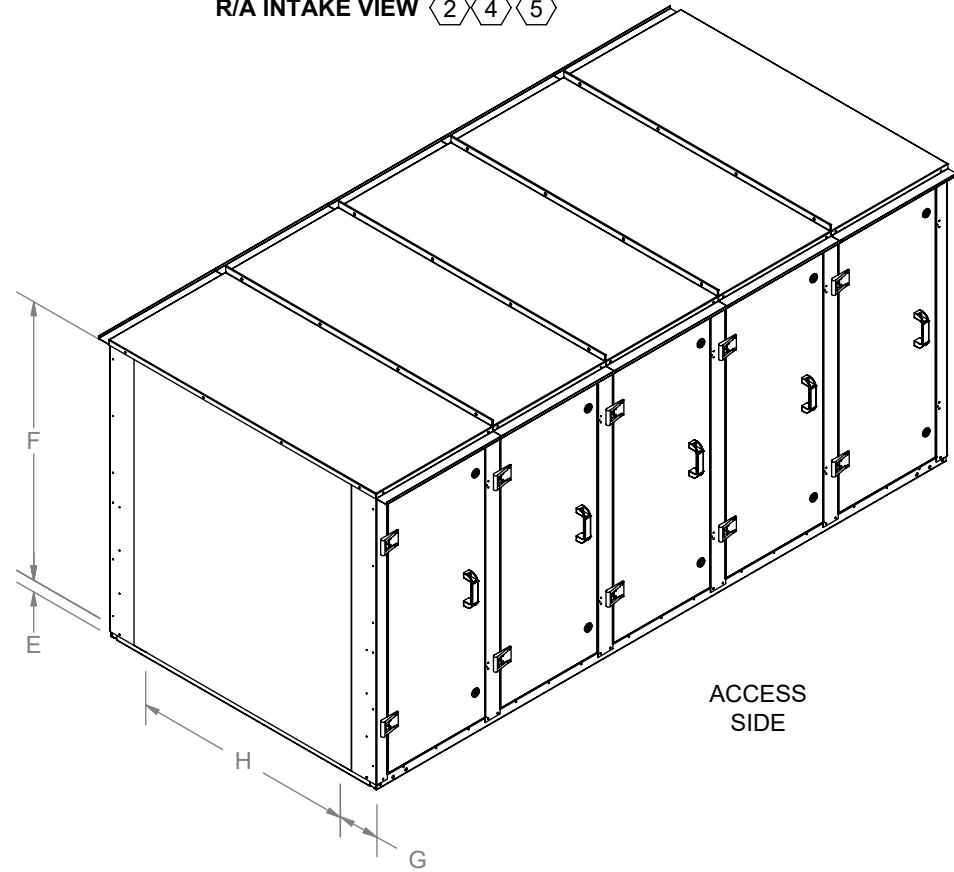
Third Angle Projection

Part weight

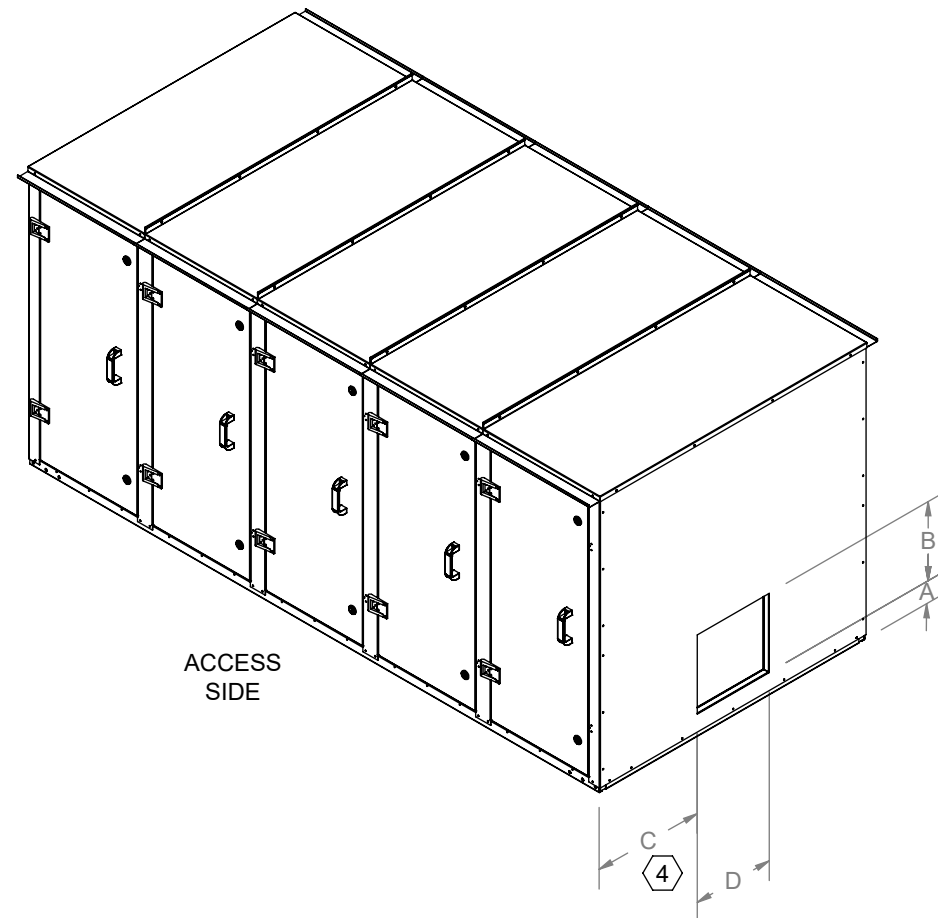
Drawn	Date Released	Description
EAC	10/16/2020	GrowAire GS Split/Wtr Cld
Sheet	2/6	Page Title
Scale	NTS	Drawing Number
Rev.	0	G815-001

ALL DIMENSIONS ARE IN INCHES
FRACTIONAL TOLERANCE ± 1/8"

R/A INTAKE VIEW 2 4 5



DISCHARGE VIEW 2 4 5



NOTES:
 REFER TO SHEET 1 FOR GENERAL NOTES.
 WEIGHTS SHOWN REFLECT FULLY OPTIONED
 ESTIMATED UNIT WEIGHT.

UNIT SIZE (TONS)	UNIT CABINET SIZES	END DISCHARGE								TOTAL EST. WEIGHT (LBS.)
		SUPPLY DISCHARGE (in.)				O/A INTAKE (in.)				
		A	B	C 4	D	E	F	G	H	
02	24	3 3/4	11 1/2	13 5/8	9 7/8	2 1/8	39 3/4	6 5/8	23 7/8	1154
03		3 3/4	11 1/2	13 5/8	9 7/8	2 1/8	39 3/4	6 5/8	23 7/8	1178
05		3 3/4	11 1/2	13 5/8	9 7/8	2 1/8	39 3/4	6 5/8	23 7/8	1344
08	36	3 3/4	13 3/4	16 5/8	15 3/4	2 1/8	44 1/2	6 5/8	35 7/8	2005
10		3 3/4	13 3/4	16 5/8	15 3/4	2 1/8	44 1/2	6 5/8	35 7/8	2157
15		3 3/4	13 3/4	16 5/8	15 3/4	2 1/8	44 1/2	6 5/8	35 7/8	2579
20	44	3 3/4	16	17 7/8	18 3/4	2 1/8	48 1/2	5 1/4	43 7/8	2985
25	50	6 1/4	19	19 1/2	22 1/8	4 5/8	56 1/2	5 5/8	49 7/8	3386
30		6 1/4	19	19 1/2	22 1/8	4 5/8	56 1/2	5 5/8	49 7/8	3707
36	60	7 3/4	19	25 1/4	22 1/8	6 1/8	67 1/4	6 1/4	59 7/8	4805
40		7 3/4	19	25 1/4	22 1/8	6 1/8	67 1/4	6 1/4	59 7/8	4958
46		7 3/4	19	25 1/4	22 1/8	6 1/8	67 1/4	6 1/4	59 7/8	5112
50	72	7 3/4	25 3/8	31 1/8	25 1/4	6 1/8	75 1/2	7 3/4	71 7/8	5635
56		7 3/4	25 3/8	31 1/8	25 1/4	6 1/8	75 1/2	7 3/4	71 7/8	6026
60		7 3/4	25 3/8	31 1/8	25 1/4	6 1/8	75 1/2	7 3/4	71 7/8	6164

Desert Aire has a policy of continuous product and quality improvement. Specifications and dimensions are subject to change without notice. This drawing and information contained herein are the exclusive property of the Desert Aire Corporation. Any use detrimental to the interests of Desert Aire is prohibited.

All Dimensions in Inches
 All Angles 90°
 All outside corners 0.125" fillet
 Unless Otherwise Specified

Tolerance Unless
 Otherwise Specified
 X.X ±.125
 X.XX ±.060
 X.XXX ±.030
 Angles ±1°

**DESERT
 AIRE**
 N120 W18485 FREISTADT RD
 GERMANTOWN, WI 53022
 Tel: (262) 946-7400
 Fax: (262) 946-7401

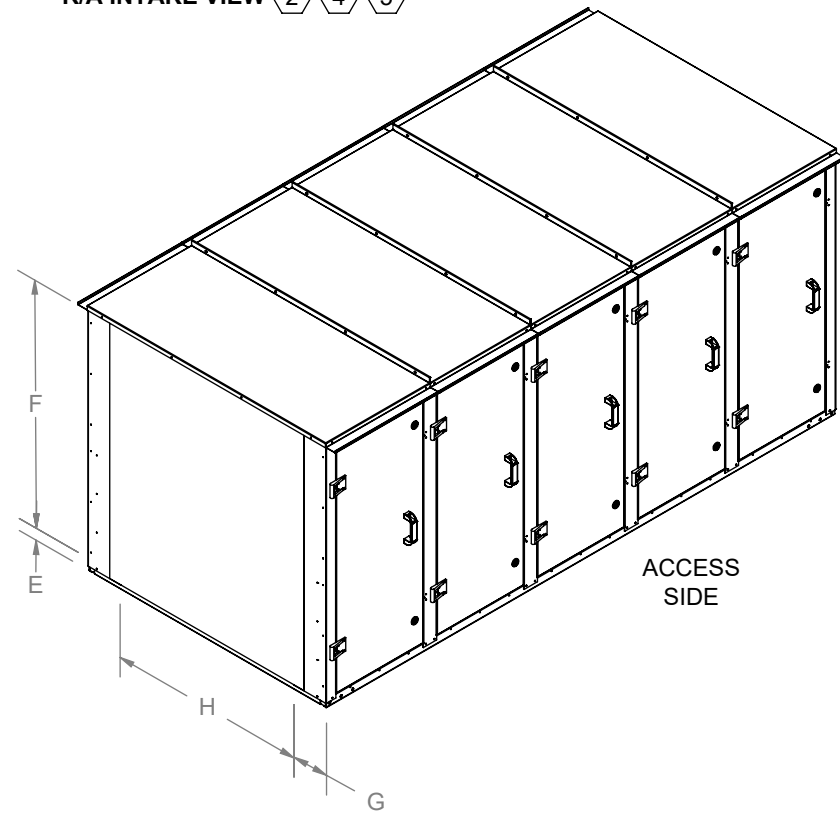

 Third Angle Projection

Drawn	Date Released	Description
EAC	10/16/2020	GrowAire GS Split/Wtr Cld
Sheet	3/6	Page Title
		END DISCHARGE GA
Scale	Rev.	Drawing Number
NTS	0	G815-001

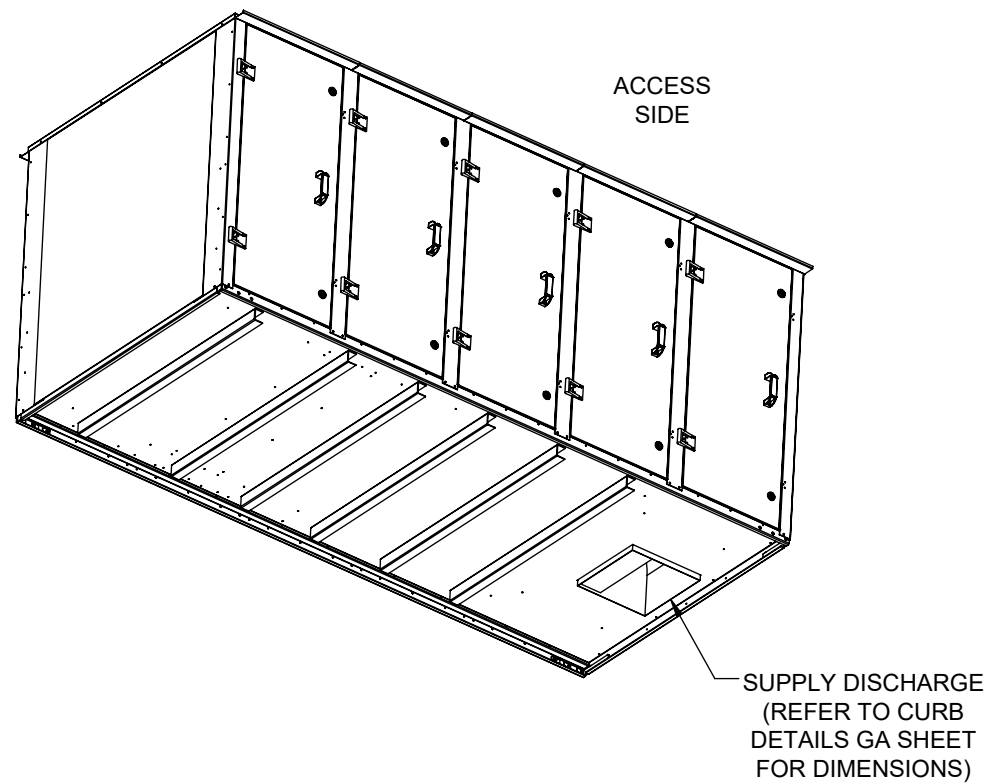
ALL DIMENSIONS ARE IN INCHES
 FRACTIONAL TOLERANCE ± 1/8"

Part weight

R/A INTAKE VIEW 2 4 5



DISCHARGE VIEW 2 4 5



NOTES:
 REFER TO SHEET 1 FOR GENERAL NOTES.
 WEIGHTS SHOWN REFLECT FULLY OPTIONED ESTIMATED UNIT WEIGHT.
 REFER TO CURB DETAILS GA SHEET FOR SUPPLY DUCT DIMENSION AND LOCATIONS.

UNIT SIZE (TONS)	UNIT CABINET SIZES	DOWN DISCHARGE				TOTAL EST. WEIGHT (LBS.)
		O/A INTAKE (in.)				
		E	F	G	H	
02	24	2 1/8	39 3/4	6 5/8	23 7/8	1154
03		2 1/8	39 3/4	6 5/8	23 7/8	1178
05		2 1/8	39 3/4	6 5/8	23 7/8	1344
08	36	2 1/8	44 1/2	6 5/8	35 7/8	2018
10		2 1/8	44 1/2	6 5/8	35 7/8	2157
15		2 1/8	44 1/2	6 5/8	35 7/8	2491
20	44	2 1/8	48 1/2	5 1/4	43 7/8	2985
25	50	4 5/8	56 1/2	5 5/8	49 7/8	3386
30		4 5/8	56 1/2	5 5/8	49 7/8	3707
36	60	6 1/8	67 1/4	6 1/4	59 7/8	4805
40		6 1/8	67 1/4	6 1/4	59 7/8	4958
46		6 1/8	67 1/4	6 1/4	59 7/8	5112
50	72	6 1/8	75 1/2	7 3/4	71 7/8	5635
56		6 1/8	75 1/2	7 3/4	71 7/8	6026
60		6 1/8	75 1/2	7 3/4	71 7/8	6164

Desert Aire has a policy of continuous product and quality improvement. Specifications and dimensions are subject to change without notice. This drawing and information contained herein are the exclusive property of the Desert Aire Corporation. Any use detrimental to the interests of Desert Aire is prohibited.

All Dimensions in Inches
 All Angles 90°
 All outside corners 0.125" fillet
 Unless Otherwise Specified

Tolerance Unless Otherwise Specified
 X.X ±.125
 X.XX ±.060
 X.XXX ±.030
 Angles ±1°



N120 W18485 FREISTADT RD
 GERMANTOWN, WI 53022
 Tel: (262) 946-7400
 Fax: (262) 946-7401

Third Angle Projection

Part weight

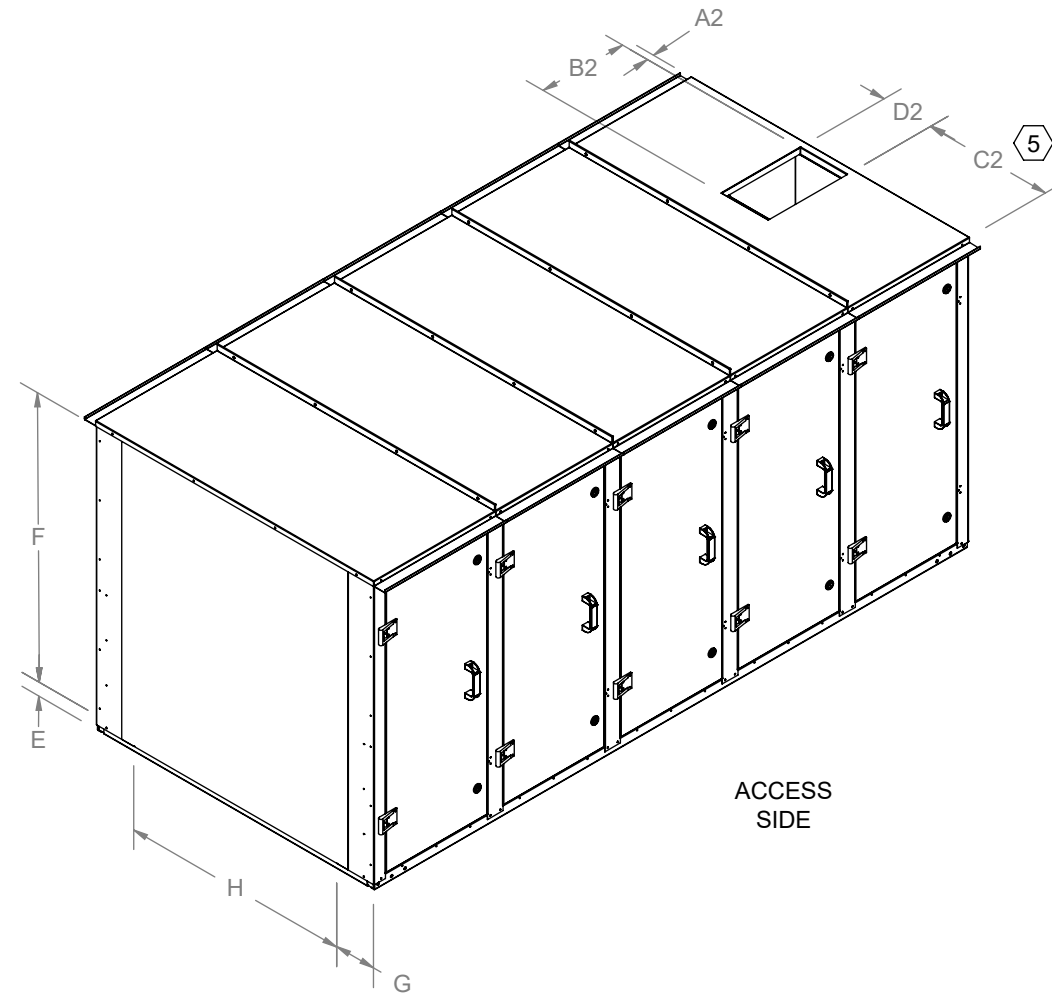
Drawn	Date Released	Description
EAC	10/16/2020	GrowAire GS Split/Wtr Cld
Sheet	4/6	Page Title
		DOWN DISCHARGE GA
Scale	Rev.	Drawing Number
NTS	0	G815-001

ALL DIMENSIONS ARE IN INCHES
 FRACTIONAL TOLERANCE ± 1/8"

NOTES:
 REFER TO SHEET 1 FOR GENERAL NOTES.
 WEIGHTS SHOWN REFLECT FULLY OPTIONED
 ESTIMATED UNIT WEIGHT.

UNIT SIZE (TONS)	UNIT CABINET SIZES	TOP DISCHARGE								TOTAL EST. WEIGHT (LBS.)
		SUPPLY DISCHARGE (in.)				O/A INTAKE (in.)				
		A2	B2	C2	D2	E	F	G	H	
02	24	1 1/4	12 1/2	13 5/8	9 7/8	2 1/8	39 3/4	6 5/8	23 7/8	1154
03		1 1/4	12 1/2	13 5/8	9 7/8	2 1/8	39 3/4	6 5/8	23 7/8	1178
05		1 1/4	12 1/2	13 5/8	9 7/8	2 1/8	39 3/4	6 5/8	23 7/8	1344
08	36	1 1/4	14 3/4	16 5/8	15 3/4	2 1/8	44 1/2	6 5/8	35 7/8	2005
10		1 1/4	14 3/4	16 5/8	15 3/4	2 1/8	44 1/2	6 5/8	35 7/8	2144
15		1 1/4	14 3/4	16 5/8	15 3/4	2 1/8	44 1/2	6 5/8	35 7/8	2579
20	44	1 1/4	17	17 7/8	18 3/4	2 1/8	48 1/2	5 1/4	43 7/8	2985
25	50	1 1/4	20	19 1/2	22 1/8	4 5/8	56 1/2	5 5/8	49 7/8	3386
30		1 1/4	20	19 1/2	22 1/8	4 5/8	56 1/2	5 5/8	49 7/8	3707
36	60	1 1/4	20	25 1/4	22 1/8	6 1/8	67 1/4	6 1/4	59 7/8	4805
40		1 1/4	20	25 1/4	22 1/8	6 1/8	67 1/4	6 1/4	59 7/8	4958
46		1 1/4	20	25 1/4	22 1/8	6 1/8	67 1/4	6 1/4	59 7/8	5112
50	72	1 1/4	26 3/8	31 1/8	25 1/4	6 1/8	75 1/2	7 3/4	71 7/8	5635
56		1 1/4	26 3/8	31 1/8	25 1/4	6 1/8	75 1/2	7 3/4	71 7/8	6026
60		1 1/4	26 3/8	31 1/8	25 1/4	6 1/8	75 1/2	7 3/4	71 7/8	6164

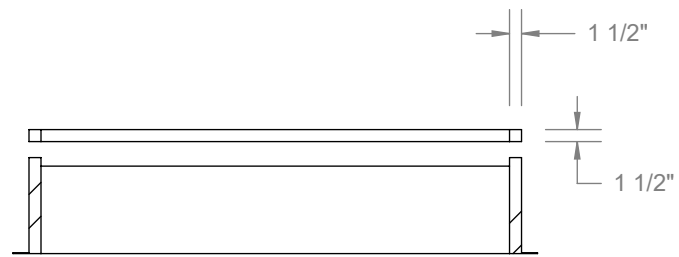
R/A INTAKE /
DISCHARGE VIEW



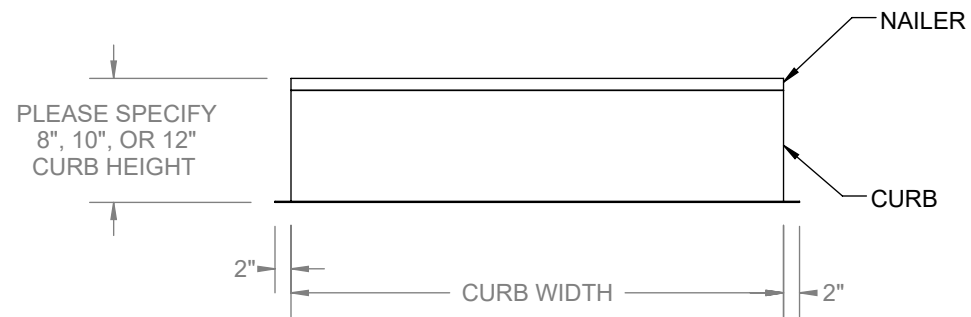
Desert Aire has a policy of continuous product and quality improvement. Specifications and dimensions are subject to change without notice. This drawing and information contained herein are the exclusive property of the Desert Aire Corporation. Any use detrimental to the interests of Desert Aire is prohibited.	All Dimensions in Inches All Angles 90° All outside corners 0.125" fillet Unless Otherwise Specified	Tolerance Unless Otherwise Specified X.X ±.125 X.XX ±.060 X.XXX ±.030 Angles ±1°	N120 W18485 FREISTADT RD GERMANTOWN, WI 53022 Tel: (262) 946-7400 Fax: (262) 946-7401
ALL DIMENSIONS ARE IN INCHES FRACTIONAL TOLERANCE ± 1/8"	Third Angle Projection	Sheet: 5/6 Scale: NTS	Page Title: TOP DISCHARGE GA Drawing Number: G815-001

NOTES:
 REFER TO SHEET 1 FOR GENERAL NOTES.
 CURBS 120" AND LESS ARE SHIPPED AS COMPLETE CURBS. GREATER THAN 120" ARE SHIPPED KNOCKED DOWN.
 NUMBER AND LOCATION OF CROSS SUPPORT(S) IS DEPENDANT UPON THE GAUGE OF MATERIAL USED TO CONSTRUCT THE CURB, DUCT SUPPORT CONFIGURATION, LENGTH OF CURB, AND WIDTH OF CURB. INSTALLATION INSTRUCTIONS INCLUDED WITH CURB SHIPMENT INDICATE THE REQUIRED POSITION FOR FIELD ASSEMBLED CURBS.

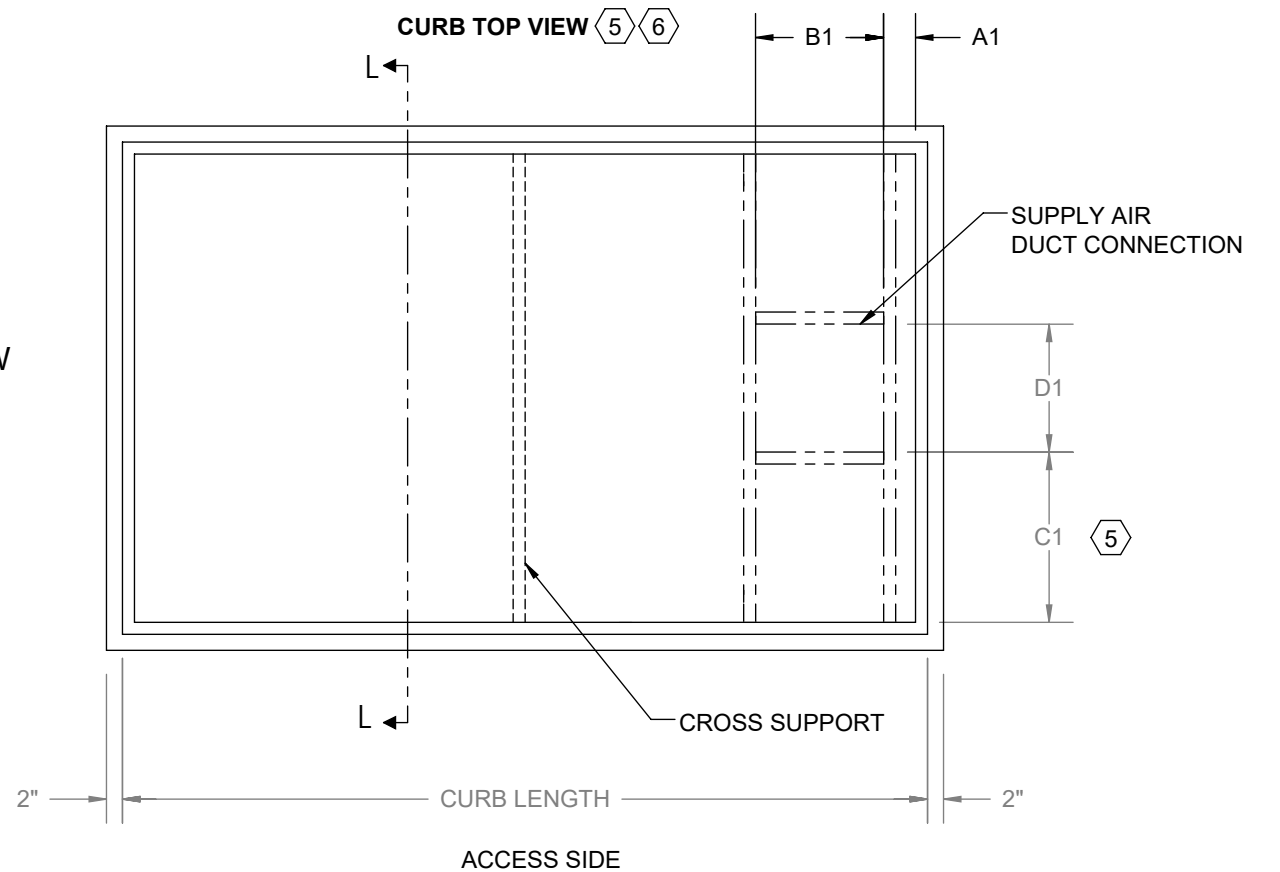
UNIT SIZE (TONS)	UNIT CABINET SIZES	END FLOW ROOFCURB DIMS			TOP FLOW ROOFCURB DIMS			DOWN FLOW ROOFCURB DIMS						
		CURB P/N	WIDTH (in.)	LENGTH (in.)	CURB P/N	WIDTH (in.)	LENGTH (in.)	CURB P/N	WIDTH (in.)	LENGTH (in.)	SUPPLY DISCHARGE (in.)			
											A1	B1	C1	D1
02	24	CB02NNAN03-XX	33 1/2	77 3/4	CB02NNBN03-XX	33 1/2	77 3/4	CB02NNCN03-XX	33 1/2	77 3/4	0	11 1/2	10 3/8	9 7/8
03		CB03NNAN03-XX	33 1/2	77 3/4	CB03NNBN03-XX	33 1/2	77 3/4	CB03NNCN03-XX	33 1/2	77 3/4	0	11 1/2	10 3/8	9 7/8
05		CB05NNAN03-XX	33 1/2	77 3/4	CB05NNBN03-XX	33 1/2	77 3/4	CB05NNCN03-XX	33 1/2	77 3/4	0	11 1/2	10 3/8	9 7/8
08	36	CB08NNAN05-XX	45 1/2	102 3/4	CB08NNBN05-XX	45 1/2	102 3/4	CB08NNCN05-XX	45 1/2	102 3/4	0	13 3/4	13 3/8	15 3/4
10		CB10NNAN05-XX	45 1/2	102 3/4	CB10NNBN05-XX	45 1/2	102 3/4	CB10NNCN05-XX	45 1/2	102 3/4	0	13 3/4	13 3/8	15 3/4
15		CB15NNAN05-XX	45 1/2	102 3/4	CB15NNBN05-XX	45 1/2	102 3/4	CB15NNCN05-XX	45 1/2	102 3/4	0	13 3/4	13 3/8	15 3/4
20	44	CB20NNAN05-XX	50 7/8	109 1/4	CB20NNBN05-XX	50 7/8	109 1/4	CB20NNCN05-XX	50 7/8	109 1/4	0	16	14 5/8	18 3/4
25	50	CB25NNAN05-XX	53 1/8	103 5/8	CB25NNBN05-XX	53 1/8	103 5/8	CB25NNCN05-XX	53 1/8	103 5/8	0	19	14	22 1/8
30		CB30NNAN05-XX	53 1/8	103 5/8	CB30NNBN05-XX	53 1/8	103 5/8	CB30NNCN05-XX	53 1/8	103 5/8	0	19	14	22 1/8
36		CB36NNAN05-XX	64 1/2	103 5/8	CB36NNBN05-XX	64 1/2	103 5/8	CB36NNCN05-XX	64 1/2	103 5/8	0	19	19 3/4	22 1/8
40	60	CB40NNAN05-XX	64 1/2	103 5/8	CB40NNBN05-XX	64 1/2	103 5/8	CB40NNCN05-XX	64 1/2	103 5/8	0	19	19 3/4	22 1/8
46		CB46NNAN05-XX	64 1/2	103 5/8	CB46NNBN05-XX	64 1/2	103 5/8	CB46NNCN05-XX	64 1/2	103 5/8	0	19	19 3/4	22 1/8
50		CB50NNAN05-XX	79 1/2	111 5/8	CB50NNBN05-XX	79 1/2	111 5/8	CB50NNCN05-XX	79 1/2	111 5/8	0	25 1/4	25 5/8	25 1/4
56	72	CB56NNAN05-XX	79 1/2	111 5/8	CB56NNBN05-XX	79 1/2	111 5/8	CB56NNCN05-XX	79 1/2	111 5/8	0	25 1/4	25 5/8	25 1/4
60		CB60NNAN05-XX	79 1/2	111 5/8	CB60NNBN05-XX	79 1/2	111 5/8	CB60NNCN05-XX	79 1/2	111 5/8	0	25 1/4	25 5/8	25 1/4



SECTION L-L



AIRFLOW →



----- DUCT CONNECTIONS FOR DOWN DISCHARGE

Desert Aire has a policy of continuous product and quality improvement. Specifications and dimensions are subject to change without notice. This drawing and information contained herein are the exclusive property of the Desert Aire Corporation. Any use detrimental to the interests of Desert Aire is prohibited.	All Dimensions in Inches All Angles 90° All outside corners 0.125" fillet Unless Otherwise Specified	Tolerance Unless Otherwise Specified X.X ±.125 X.XX ±.060 X.XXX ±.030 Angles ±1°	N120 W18485 FREISTADT RD GERMANTOWN, WI 53022 Tel: (262) 946-7400 Fax: (262) 946-7401		
				Drawn: EAC Date Released: 10/16/2020	Description: GrowAire GS Split/Wtr Cld
				Sheet: 6/6	Page Title: CURB DETAILS GA
				Scale: NTS Rev: 0	Drawing Number: G815-001

ALL DIMENSIONS ARE IN INCHES
 FRACTIONAL TOLERANCE ± 1/8"

Third Angle Projection

Part weight