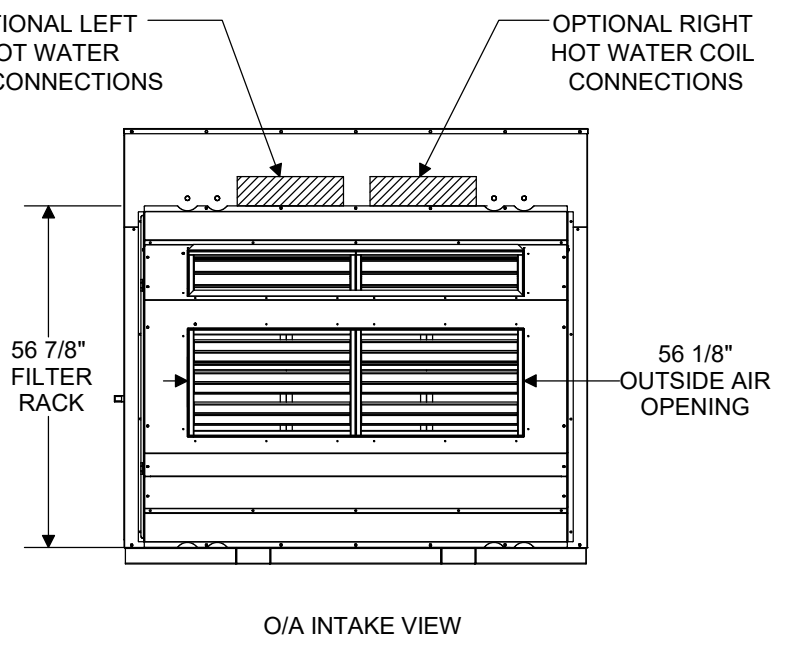
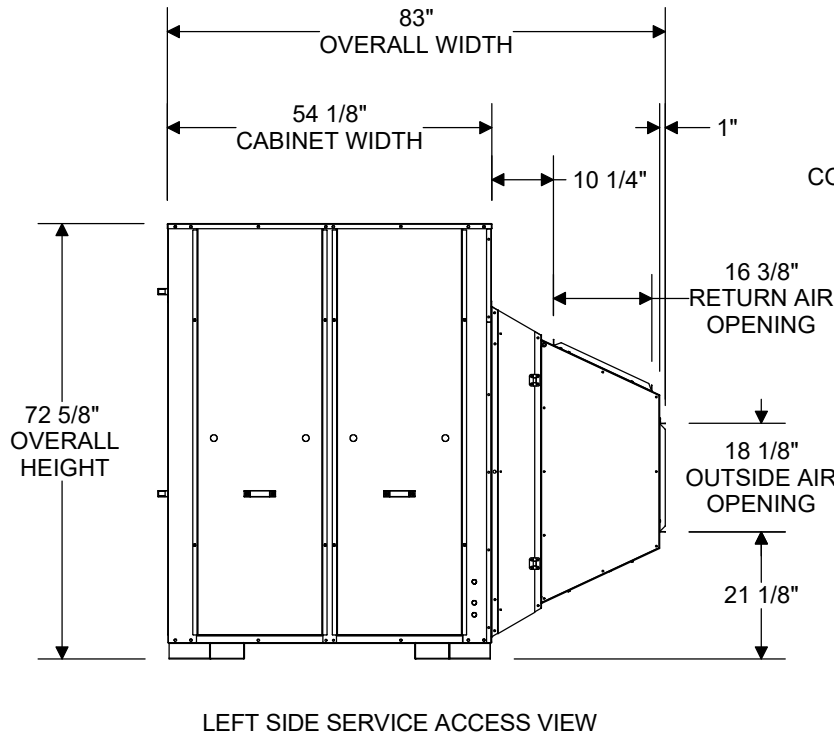
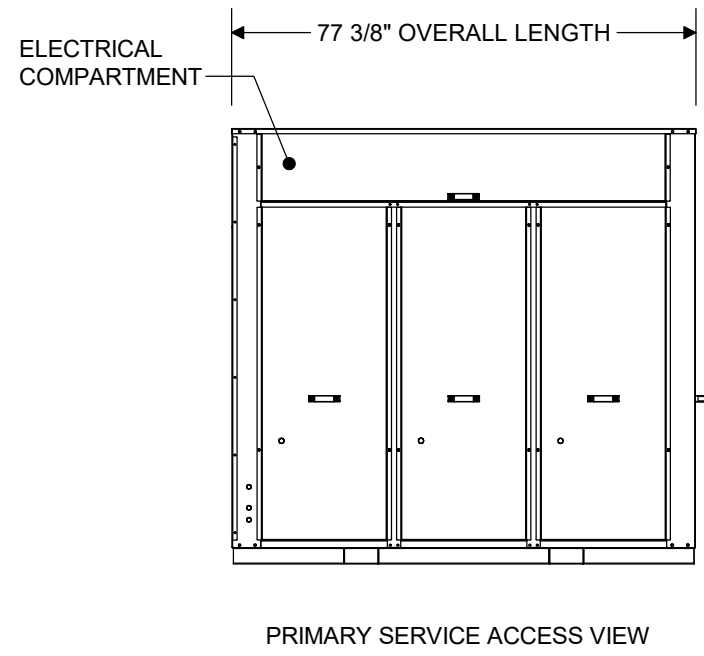
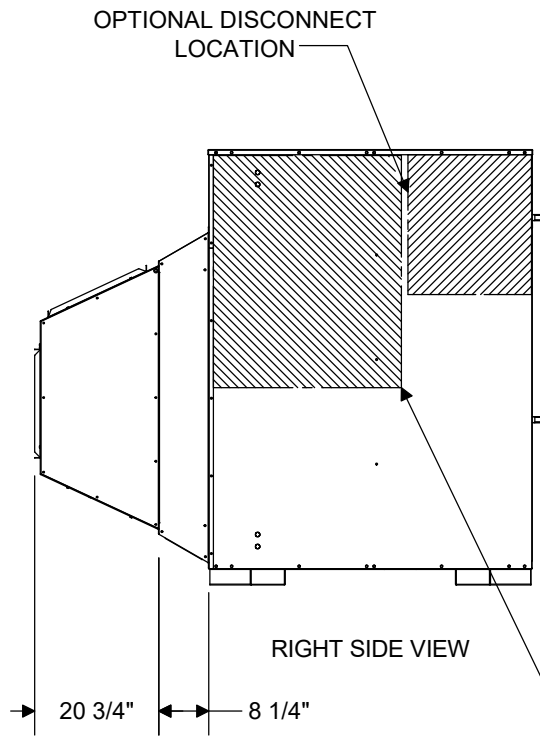
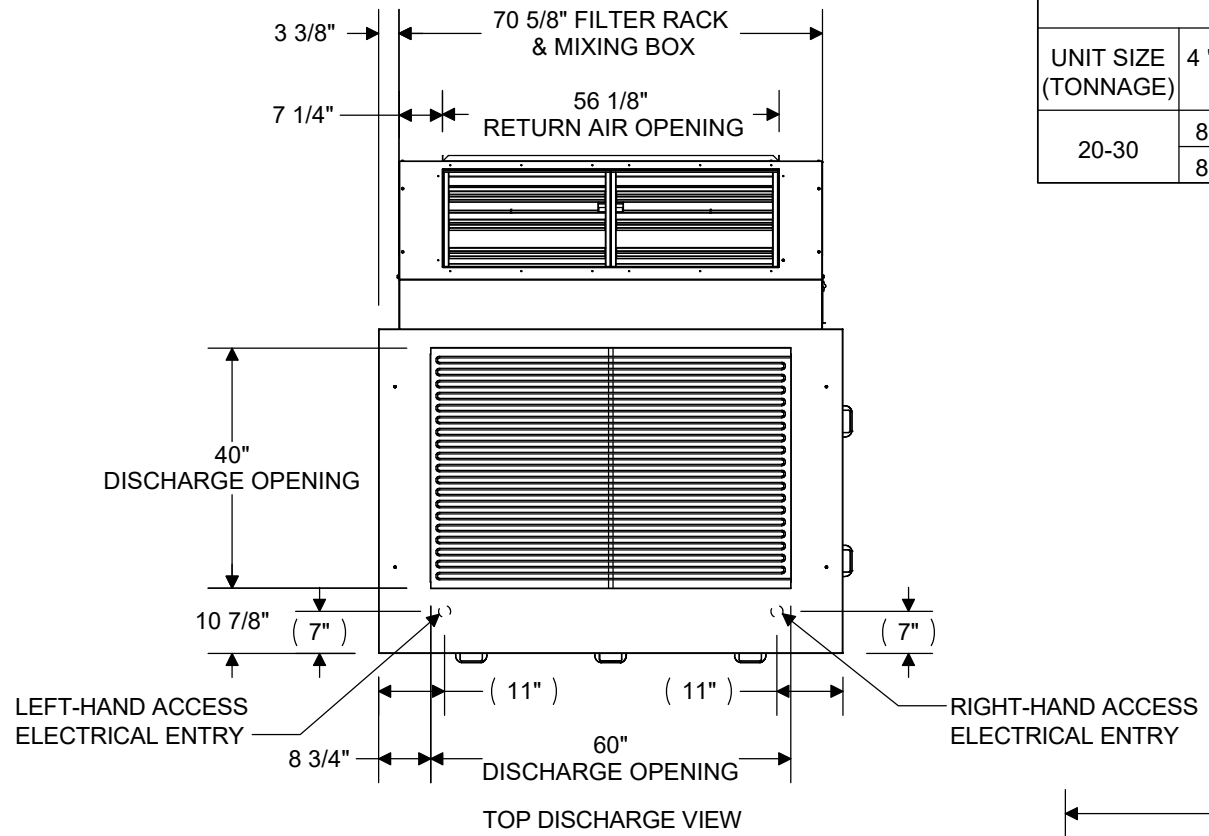
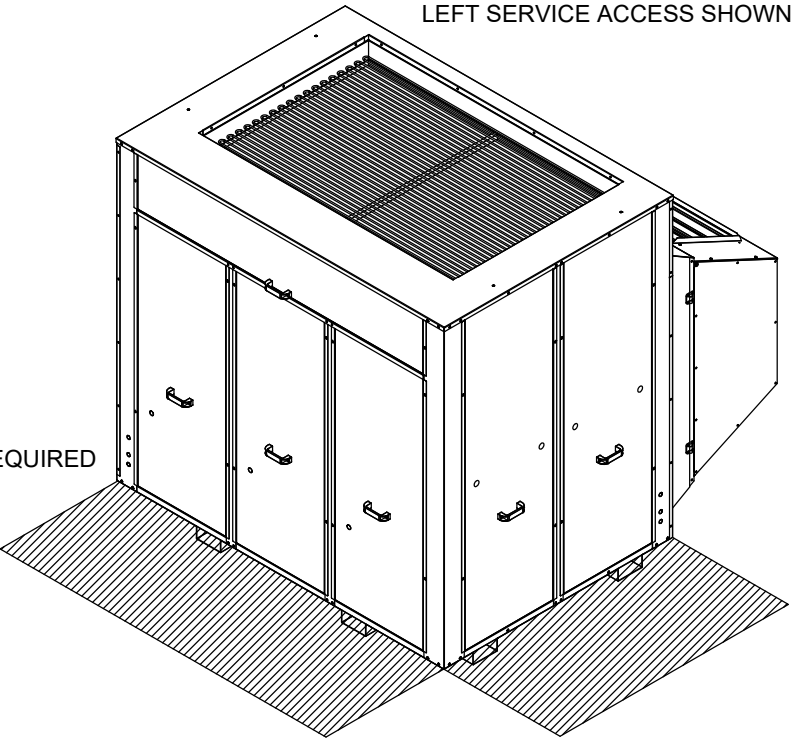


FILTERS					
UNIT SIZE (TONNAGE)	4" MERV 11	4" MERV 13	NOM WIDTH	NOM HEIGHT	QTY
20-30	870-103	870-131	20	24	3
	870-108	870-130	24	24	3



ELECTRICAL ENCLOSURE FOR OPTIONAL ELECTRIC HEATER (SPLIT SYSTEM ONLY)

TONNAGE	WEIGHT
20	3028
25	3202
30	3423

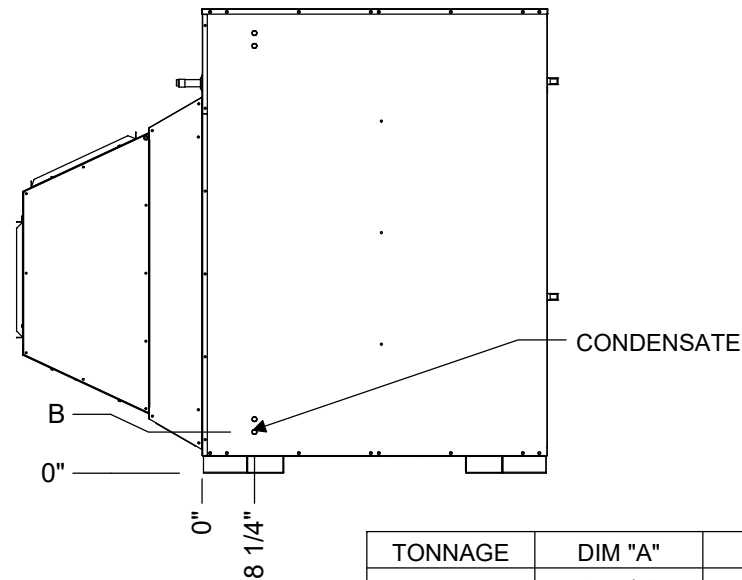
Desert Aire has a policy of continuous product and quality improvement. Specifications and dimensions are subject to change without notice. This drawing and information contained herein are the exclusive property of the Desert Aire Corporation. Any use detrimental to the interests of Desert Aire is prohibited.	All Dimensions in Inches All Angles 90° All outside corners 0.125" fillet Unless Otherwise Specified	Tolerance Unless Otherwise Specified X.X ±.125 X.XX ±.060 X.XXX ±.030 Angles ±1°	N120 W18485 FREISTADT RD GERMANTOWN, WI 53022 Tel: (262) 946-7400 Fax: (262) 946-7401		
				Drawn: EAC Date Released: 10/9/2020	Description: GrowAire GV 20-30T VertDsch MB
				Sheet: 1/3	Page Title: GENERAL ASSEMBLY
ALL DIMENSIONS ARE IN INCHES TOLERANCE ± 1/8"	Third Angle Projection	Scale: NTS Rev: 0	Drawing Number: G817-011		

UNITS SELECTED WITH LEFT SERVICE ACCESS ONLY

SEE PAGE 3 FOR RIGHT HAND SERVICE

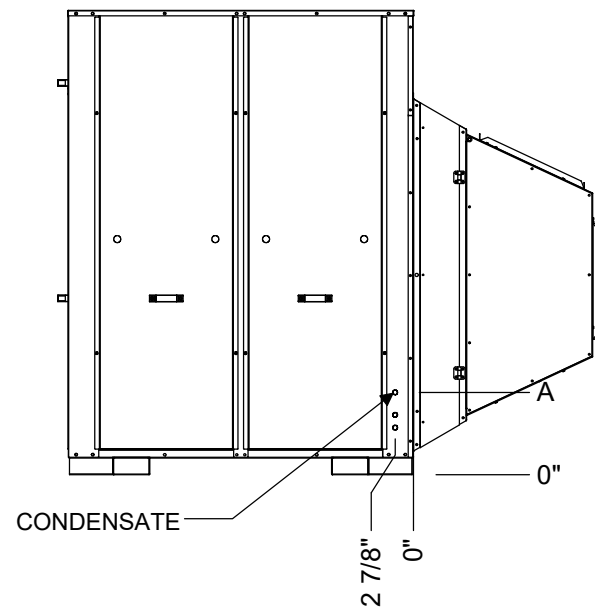
CONDENSATE

RIGHT CONDENSATE OPTION
RIGHT SIDE VIEW



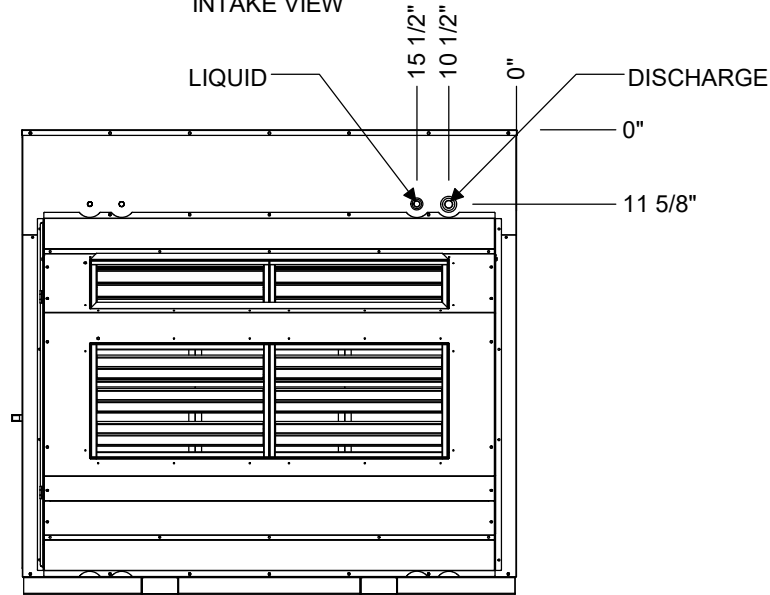
TONNAGE	DIM "A"	DIM "B"
20	12 7/8"	8 1/2"
25	9 3/8"	8 1/2"
30	7 3/8"	6 1/2"

LEFT CONDENSATE OPTION
LEFT SIDE VIEW

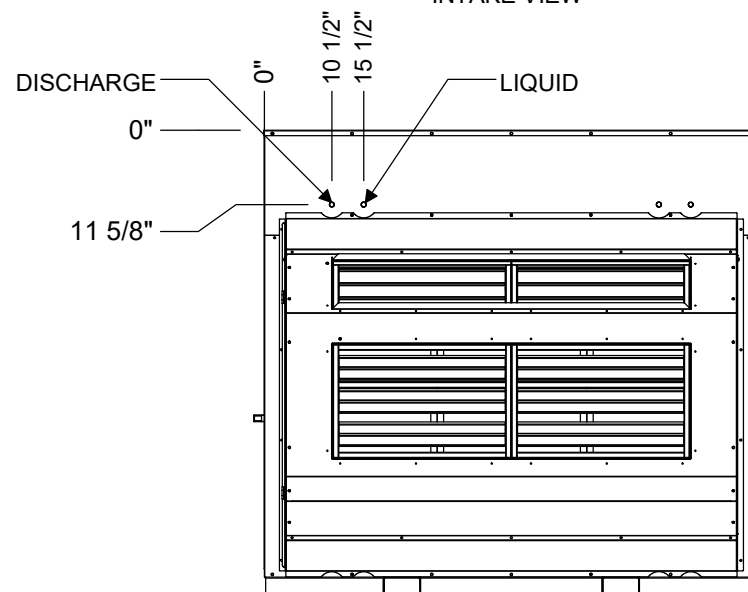


REMOTE CONDENSER

RIGHT REMOTE CONDENSER OPTION
INTAKE VIEW



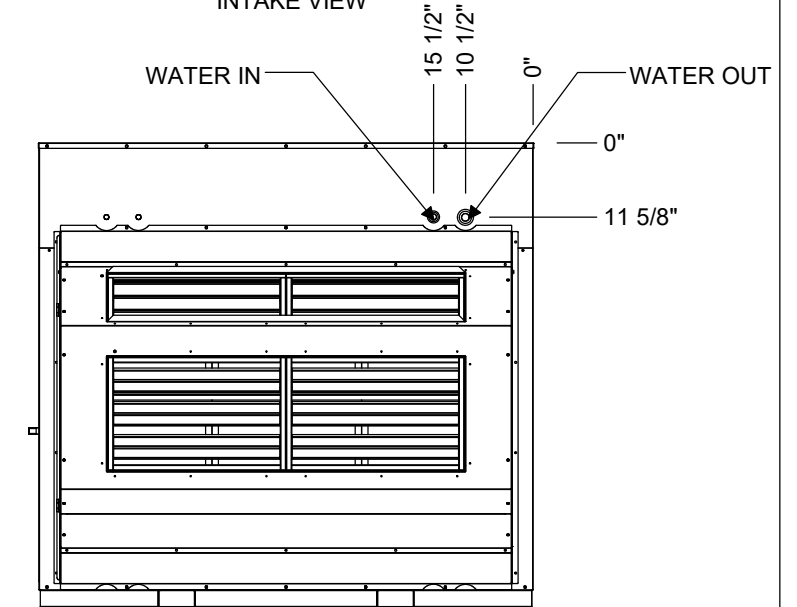
LEFT REMOTE CONDENSER OPTION
INTAKE VIEW



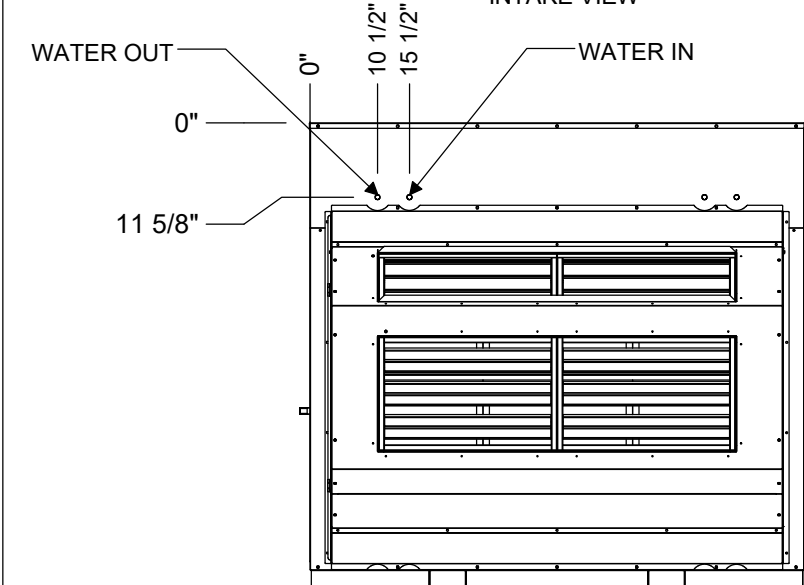
WATER PIPING



RIGHT WATER PIPING OPTION
INTAKE VIEW



LEFT WATER PIPING OPTION
INTAKE VIEW



UNIT SIZE	OPTIONAL WATER COOLED AND Q-PUMP HEAT EXCHANGER CONNECTIONS		OPTIONAL REMOTE CONDENSER CONNECTIONS		CONDENSATE DRAIN CONNECTION
	INLET	OUTLET	DISCHARGE	LIQUID RETURN	OUTLET
TONS					
20	2 5/8 OD	2 5/8 OD	1 3/8" OD	7/8" OD	1" ID
25	2 5/8 OD	2 5/8 OD	1 5/8" OD	1 1/8" OD	1" ID
30	2 5/8 OD	2 5/8 OD	1 5/8" OD	1 1/8" OD	1" ID

1
WATER PIPING FOR WATER COOLED CONDENSERS, SEE PAGE 1 FOR HOT WATER COIL CONNECTIONS

Desert Aire has a policy of continuous product and quality improvement. Specifications and dimensions are subject to change without notice. This drawing and information contained herein are the exclusive property of the Desert Aire Corporation. Any use detrimental to the interests of Desert Aire is prohibited.

ALL DIMENSIONS ARE IN INCHES
TOLERANCE ± 1/8"

All Dimensions in Inches
All Angles 90°
All outside corners 0.125" fillet
Unless Otherwise Specified



Part weight

Tolerance Unless Otherwise Specified
X.X ±.125
X.XX ±.060
X.XXX ±.030
Angles ±1°

Drawn	Date Released
EAC	10/9/2020
Sheet	2/3
Scale	Rev.
NTS	0



N120 W18485 FREISTADT RD
GERMANTOWN, WI 53022
Tel: (262) 946-7400
Fax: (262) 946-7401

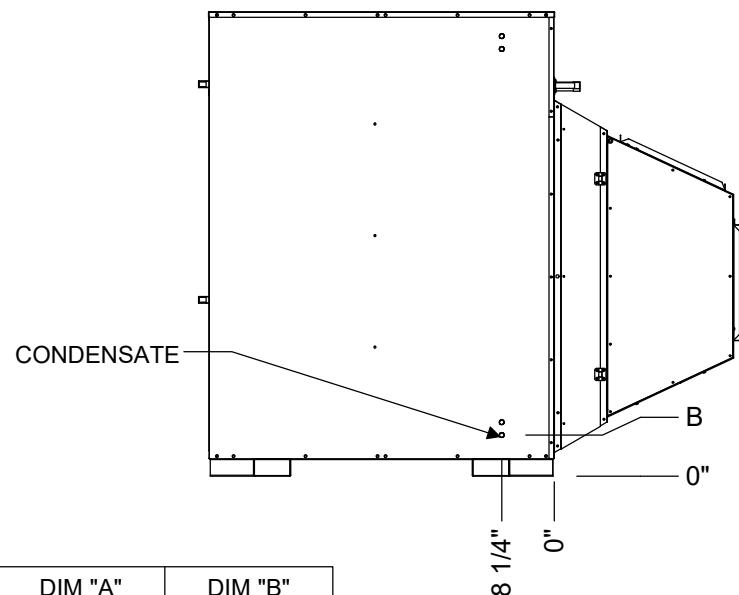
Description	GrowAire GV 20-30T VertDsch MB
Page Title	LH SERVICE CONNECTIONS
Drawing Number	G817-011

UNITS SELECTED WITH RIGHT SERVICE ACCESS ONLY

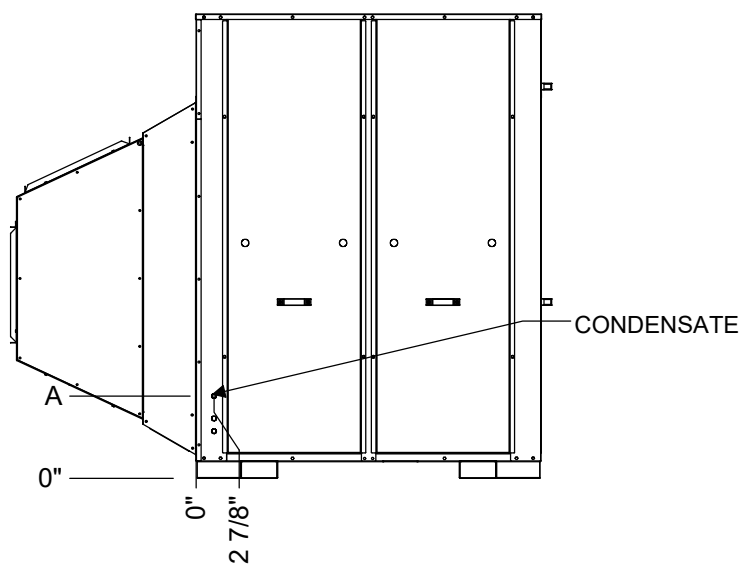
SEE PAGE 2 FOR LEFT HAND SERVICE

CONDENSATE

LEFT CONDENSATE OPTION
LEFT SIDE VIEW



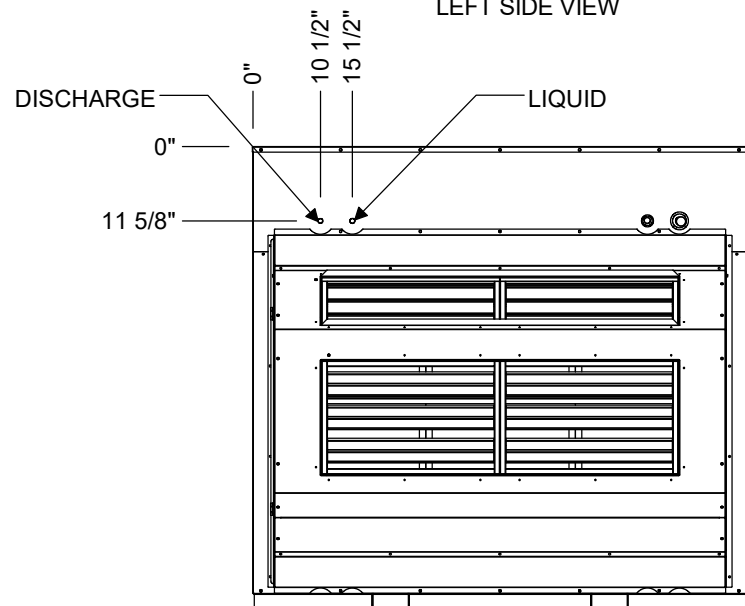
RIGHT CONDENSATE OPTION
RIGHT SIDE VIEW



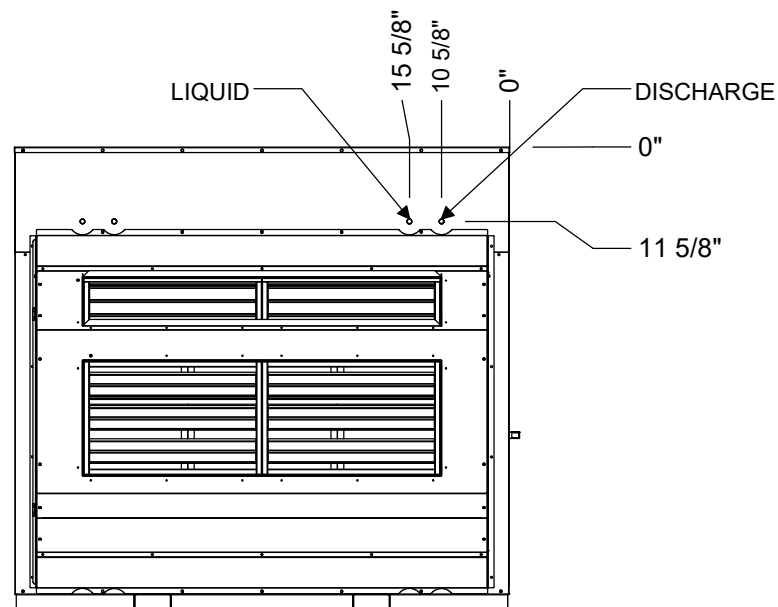
TONNAGE	DIM "A"	DIM "B"
20	12 7/8"	8 1/2"
25	9 3/8"	8 1/2"
30	7 3/8"	6 1/2"

REMOTE CONDENSER

LEFT REMOTE CONDENSER OPTION
LEFT SIDE VIEW



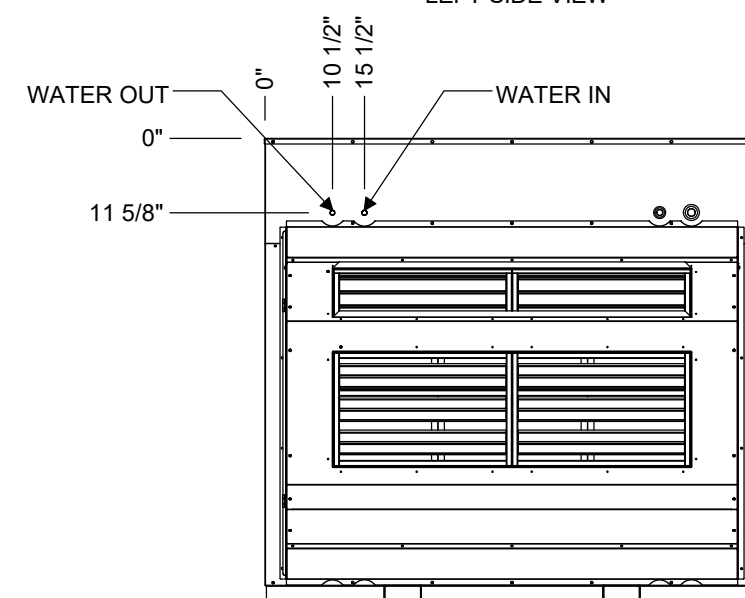
RIGHT REMOTE CONDENSER OPTION
INTAKE VIEW



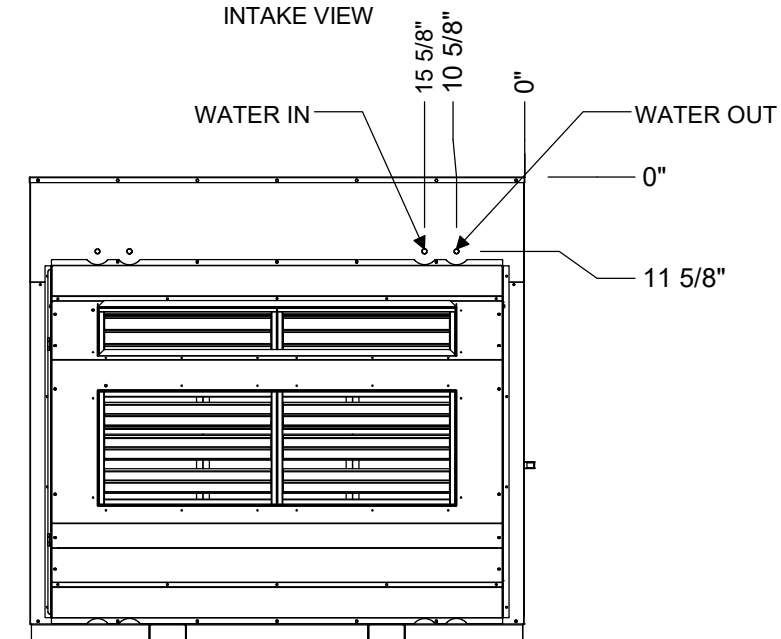
WATER PIPING



LEFT WATER PIPING OPTION
LEFT SIDE VIEW



RIGHT WATER PIPING OPTION
INTAKE VIEW



UNIT SIZE	OPTIONAL WATER COOLED AND Q-PUMP HEAT EXCHANGER CONNECTIONS		OPTIONAL REMOTE CONDENSER CONNECTIONS		CONDENSATE DRAIN CONNECTION	1 WATER PIPING FOR WATER COOLED CONDENSERS, SEE PAGE 1 FOR HOT WATER COIL CONNECTIONS
	TONS	INLET	OUTLET	DISCHARGE	LIQUID RETURN	
20	2 5/8 OD	2 5/8 OD	2 5/8 OD	1 3/8" OD	7/8" OD	1" ID
25	2 5/8 OD	2 5/8 OD	2 5/8 OD	1 5/8" OD	1 1/8" OD	1" ID
30	2 5/8 OD	2 5/8 OD	2 5/8 OD	1 5/8" OD	1 1/8" OD	1" ID

Desert Aire has a policy of continuous product and quality improvement. Specifications and dimensions are subject to change without notice. This drawing and information contained herein are the exclusive property of the Desert Aire Corporation. Any use detrimental to the interests of Desert Aire is prohibited.

ALL DIMENSIONS ARE IN INCHES
TOLERANCE ± 1/8"

All Dimensions in Inches
All Angles 90°
All outside corners 0.125" fillet
Unless Otherwise Specified

Third Angle Projection

Tolerance Unless Otherwise Specified
X.X ±.125
X.XX ±.060
X.XXX ±.030
Angles ±1°

Drawn: EAC
Date Released: 10/9/2020
Scale: NTS
Rev: 0

DESERT AIRE

N120 W18485 FREISTADT RD
GERMANTOWN, WI 53022
Tel: (262) 946-7400
Fax: (262) 946-7401

Page Title: **GrowAire GV 20-30T VertDsch MB**
Page Title: **RH SERVICE CONNECTIONS**
Drawing Number: **G817-011**