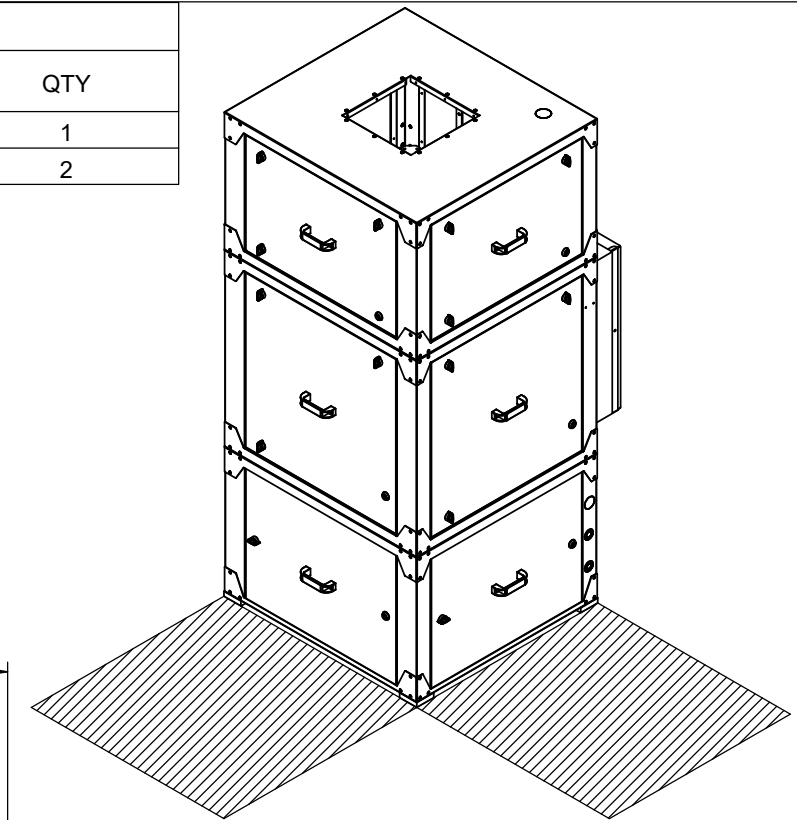
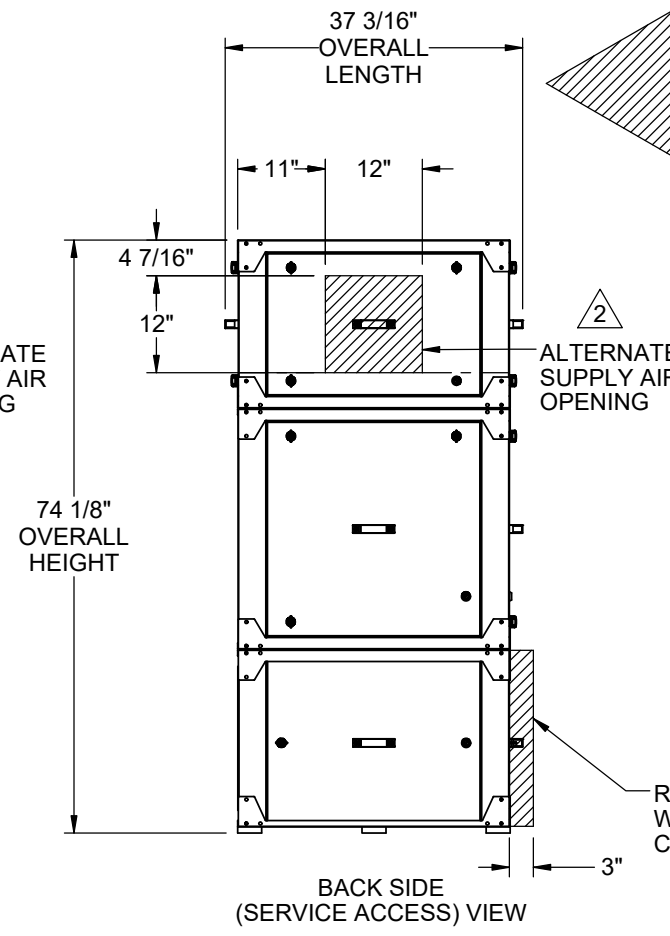
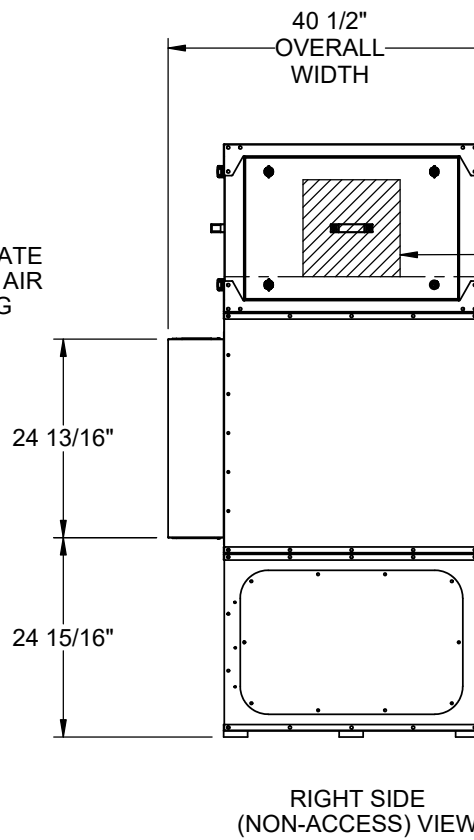
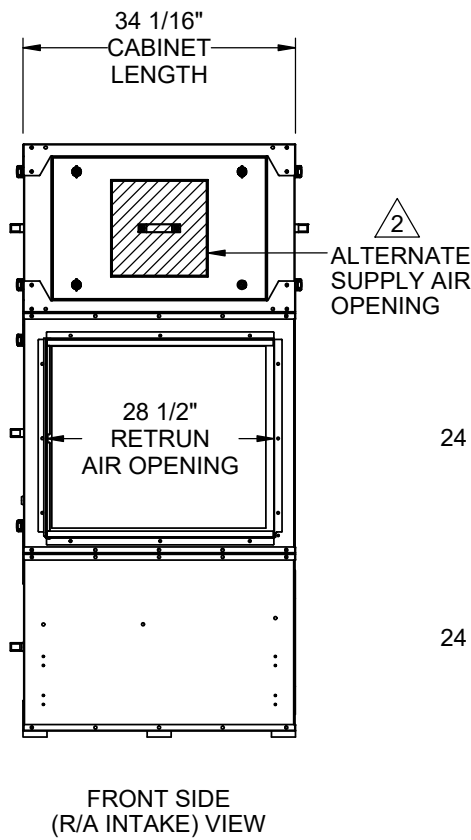
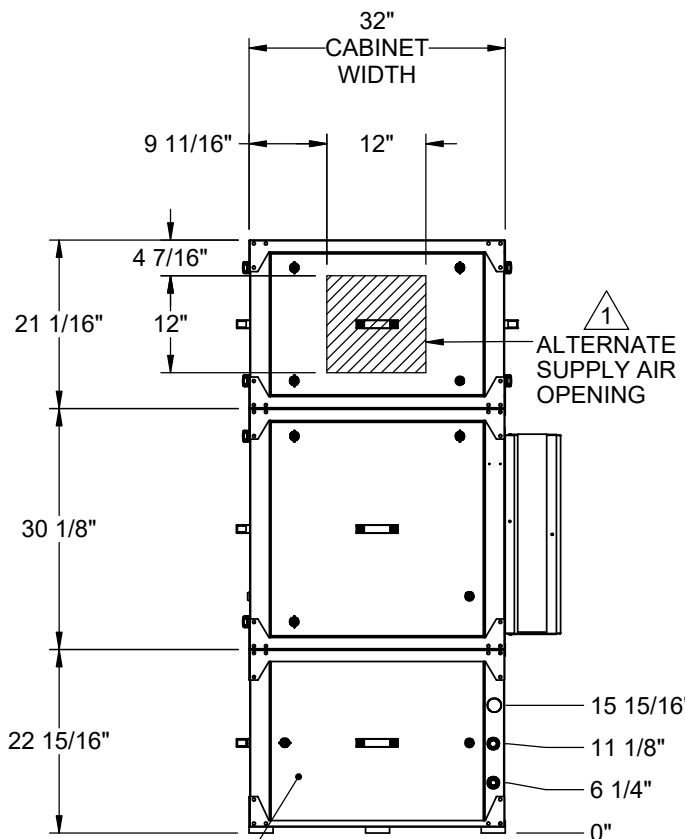
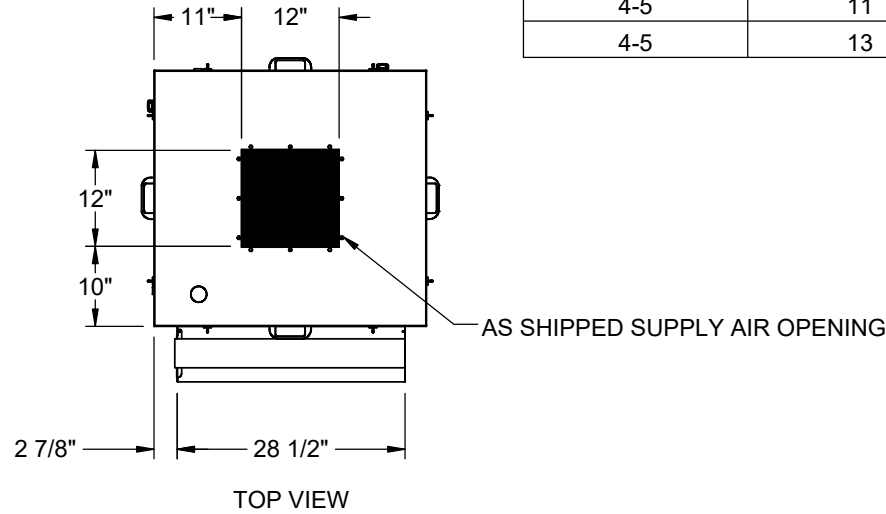


- 1 SUPPLY LOCATION DIMENSIONS ARE TYPICAL FOR LEFT SIDE AND RIGHT SIDE VIEW
- 2 SUPPLY LOCATION DIMENSIONS ARE TYPICAL FOR FRONT SIDE AND BACK SIDE VIEW

FILTER					
UNIT SIZE (TONNAGE)	4" FILTER MERV RATING	4" FILTER PART NUMBER	NOM WIDTH	NOM HEIGHT	QTY
4-5	11	870-136	25	29	1
4-5	13	870-135	25	16	2



TONNAGE	CAB WEIGHT
4	761
5	786

ELECTRICAL ENCLOSURE LOCATION

- NOTES:
- UNIT CAN BE FIELD CONFIGURED FOR ANY ALTERNATE SUPPLY AIR LOCATION SHOW SEE I/O MANUAL FOR DETAILED INFORMATION TO RELOCATE SUPPLY AIR OPENING
  - ADD AN APPROXIMATE 1/2" TO CABINET DIMENSIONS FOR EXTERIOR PANEL FASTENERS
  - FILTER RACK AND ALL DOORS ARE REMOVABLE FOR ADDITIONAL CLEARANCE

WATER COOLED AND HEAT PUMP CONDENSER CONNECTIONS		OPTIONAL REMOTE CONDENSER CONNECTIONS		CONDENSATE DRAIN CONNECTION
WATER LINE SIZE DIMENSIONAL COPPER		REFRIGERANT LINE SIZE DIMENSIONAL COPPER		PVC
INLET	OUTLET	DISCHARGE	LIQUID RETURN	OUTLET
1 1/4"	1 1/4"	7/8"	5/8"	1"

Desert Aire has a policy of continuous product and quality improvement. Specifications and dimensions are subject to change without notice. This drawing and information contained herein are the exclusive property of the Desert Aire Corporation. Any use detrimental to the interests of Desert Aire is prohibited.

All Dimensions in Inches  
All Angles 90°  
All outside corners 0.125" fillet  
Unless Otherwise Specified

Tolerance Unless Otherwise Specified  
X.X ±.125  
X.XX ±.060  
X.XXX ±.030  
Angles ±1°

N120 W18485 FREISTADT RD  
GERMANTOWN, WI 53022  
Tel: (262) 946-7400  
Fax: (262) 946-7401

Third Angle Projection

Drawn: EAC Date Released: 10/16/2020 Description: GrowAire GV 4-15T Vert Dsch FB

Sheet: 1/4 Page Title: 4-5 TON VERTICAL CABINET

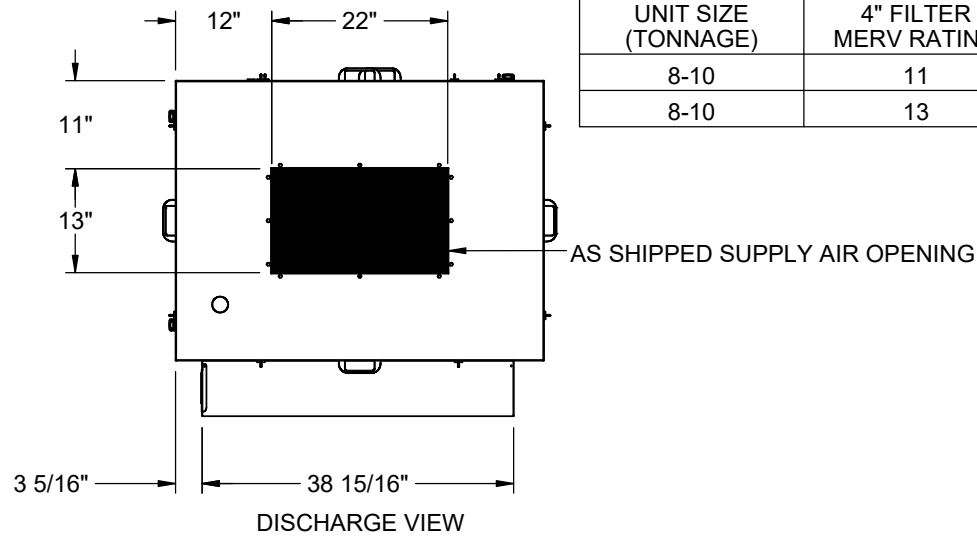
ALL DIMENSIONS ARE IN INCHES  
TOLERANCE ± 1/8"

Part weight

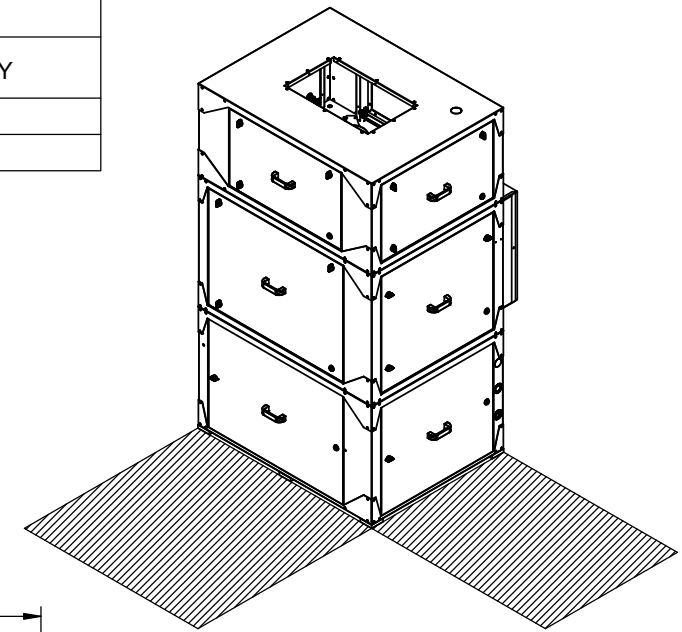
Scale: NTS Rev: 0 Drawing Number: G817-001

G817-001

- 1 SUPPLY LOCATION DIMENSIONS ARE TYPICAL FOR LEFT SIDE AND RIGHT SIDE VIEW
- 2 SUPPLY LOCATION DIMENSIONS ARE TYPICAL FOR FRONT SIDE AND BACK SIDE VIEW

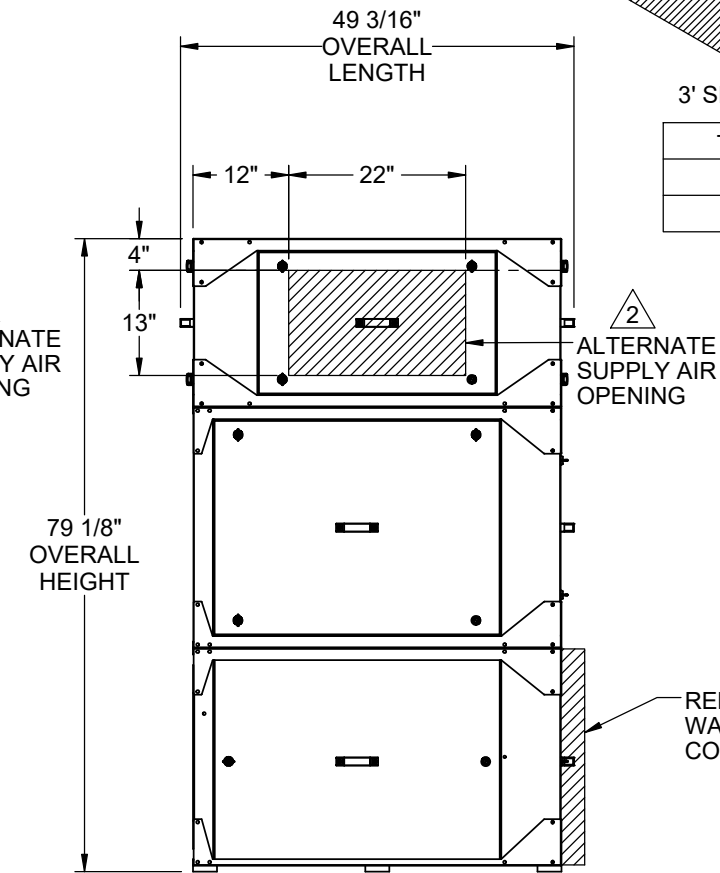
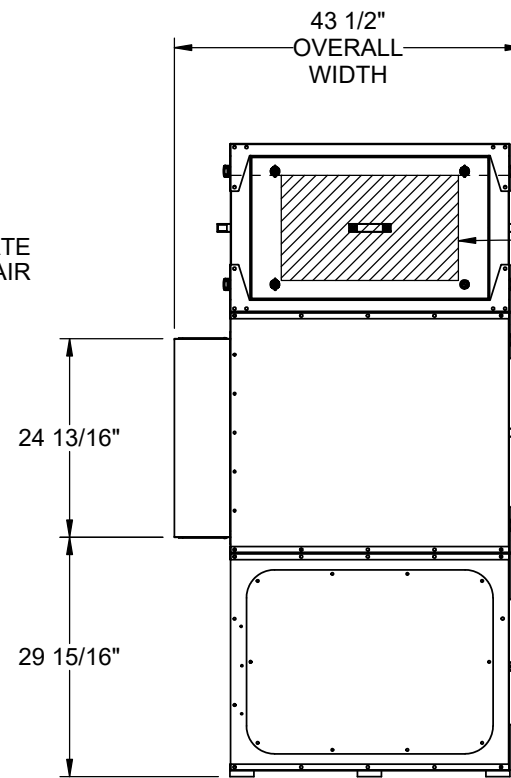
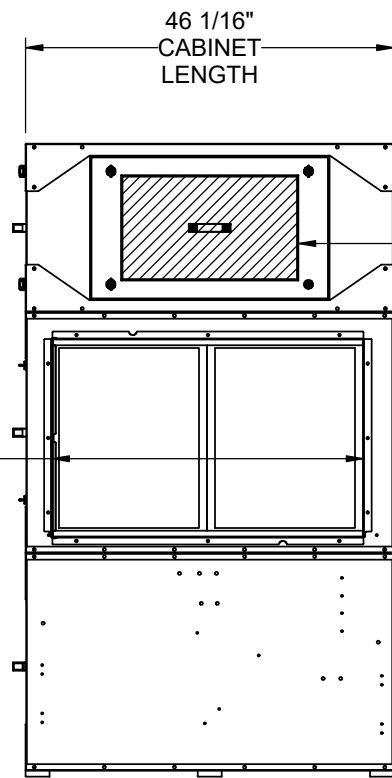
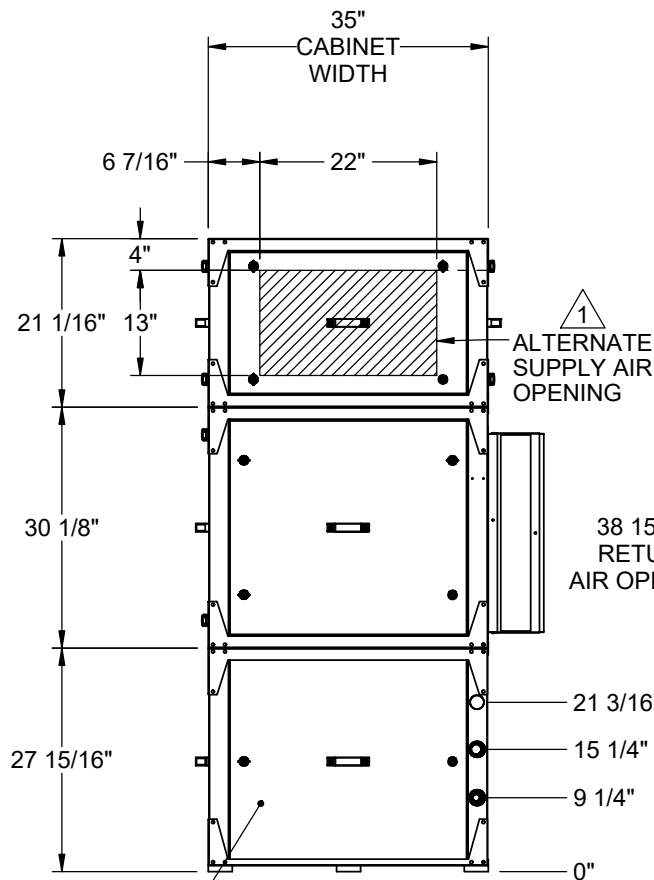


FILTER					
UNIT SIZE (TONNAGE)	4" FILTER MERV RATING	4" FILTER PART NUMBER	NOM WIDTH	NOM HEIGHT	QTY
8-10	11	870-106	20	25	2
8-10	13	870-134	20	25	2



3' SERVICE CLEARANCE REQUIRED

TONNAGE	CAB WEIGHT
8	1114
10	1184



ELECTRICAL ENCLOSURE LOCATION

NOTES:

1. UNIT CAN BE FIELD CONFIGURED FOR ANY ALTERNATE SUPPLY AIR LOCATION SHOW SEE I/O MANUAL FOR DETAILED INFORMATION TO RELOCATE SUPPLY AIR OPENING
2. ADD AN APPROXIMATE 1/2" TO CABINET DIMENSIONS FOR EXTERIOR PANEL FASTENERS
3. FILTER RACK AND ALL DOORS ARE REMOVABLE FOR ADDITIONAL CLEARANCE

Desert Aire has a policy of continuous product and quality improvement. Specifications and dimensions are subject to change without notice. This drawing and information contained herein are the exclusive property of the Desert Aire Corporation. Any use detrimental to the interests of Desert Aire is prohibited.	All Dimensions in Inches All Angles 90° All outside corners 0.125" fillet Unless Otherwise Specified		Tolerance Unless Otherwise Specified X.X ±.125 X.XX ±.060 X.XXX ±.030 Angles ±1°	N120 W18485 FREISTADT RD GERMANTOWN, WI 53022 Tel: (262) 946-7400 Fax: (262) 946-7401
	Third Angle Projection		Drawn: EAC Date Released: 10/16/2020 Description: GrowAire GV 4-15T Vert Dsch FB	
	ALL DIMENSIONS ARE IN INCHES TOLERANCE ± 1/8"		Sheet: 2/4 Page Title: 8-10 TON VERTICAL CABINET	Rev: 0 Drawing Number: G817-001
	Part weight		Scale: NTS	Description: 8-10 TON VERTICAL CABINET

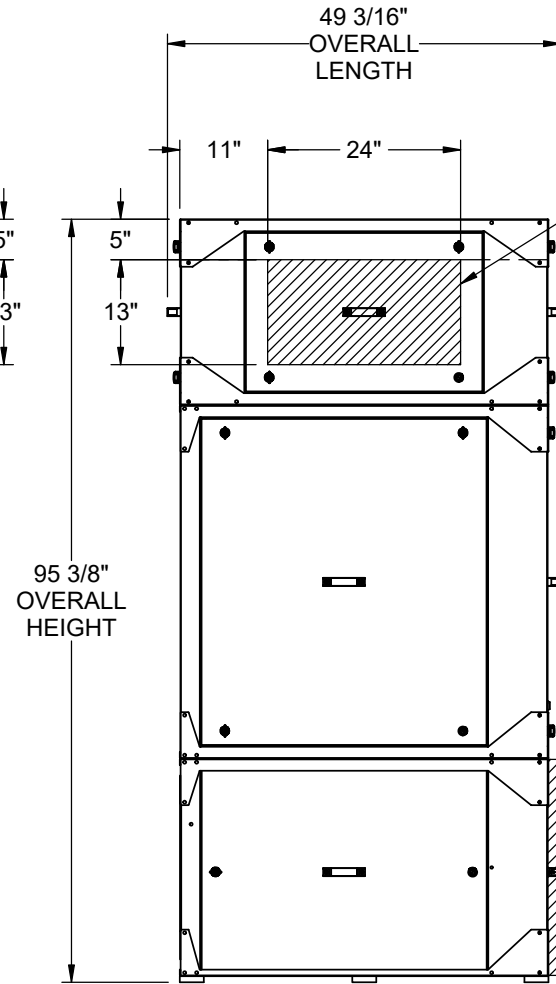
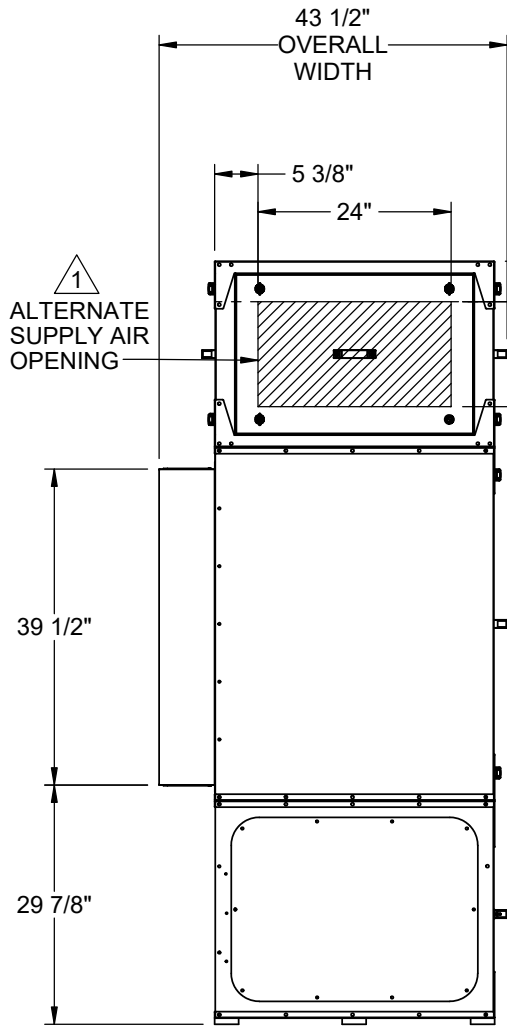
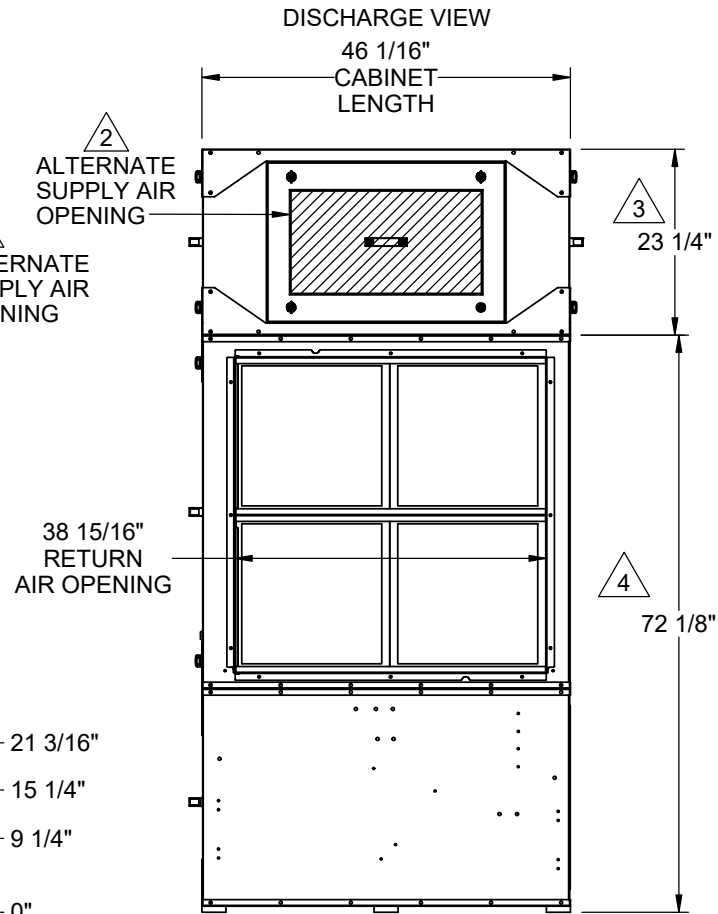
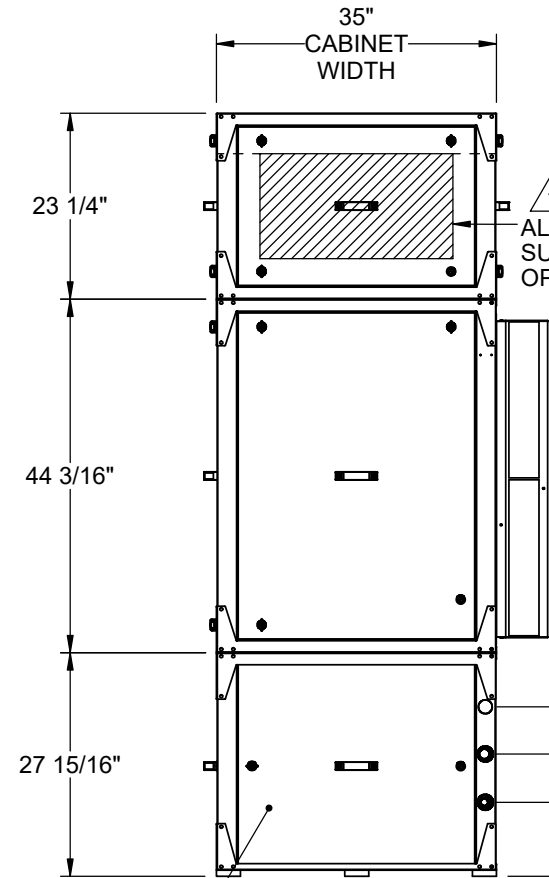
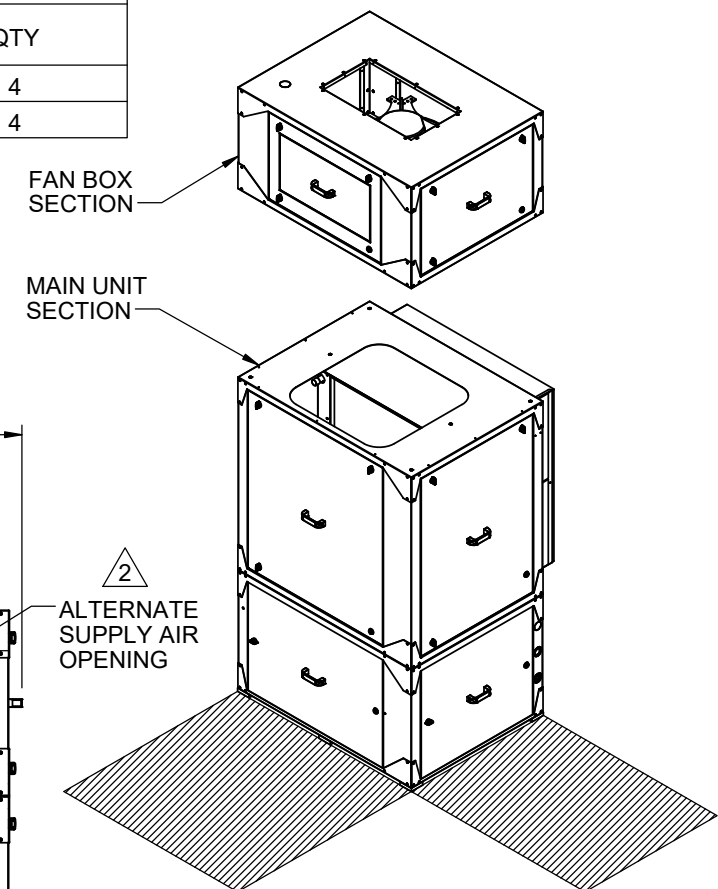
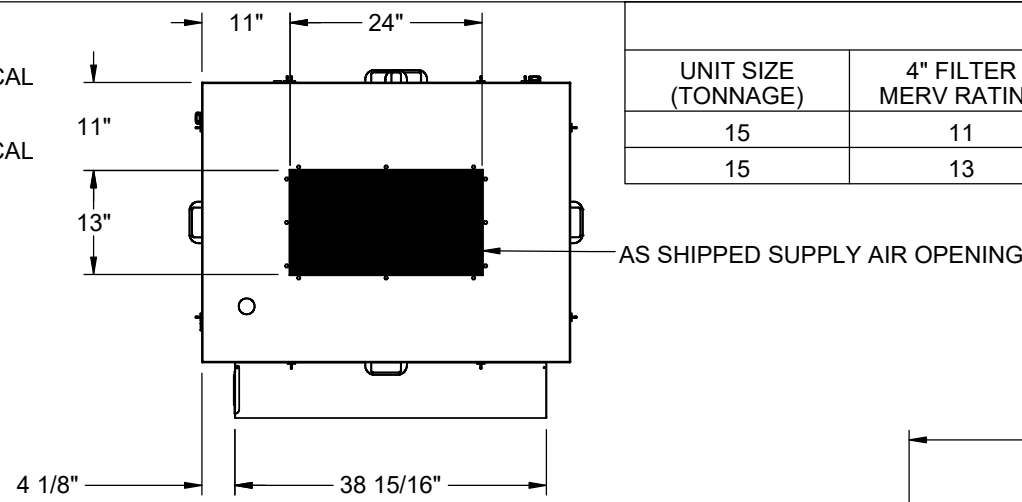
WATER COOLED AND HEAT PUMP CONDENSER CONNECTIONS		OPTIONAL REMOTE CONDENSER CONNECTIONS		CONDENSATE DRAIN CONNECTION
WATER LINE SIZE DIMENSIONAL COPPER		REFRIGERANT LINE SIZE DIMENSIONAL COPPER		PVC
INLET	OUTLET	DISCHARGE	LIQUID RETURN	OUTLET
1 1/4"	1 1/4"	1 1/8"	5/8"	1"

G817-001

- 1 SUPPLY LOCATION DIMENSIONS ARE TYPICAL FOR LEFT SIDE AND RIGHT SIDE VIEW
- 2 SUPPLY LOCATION DIMENSIONS ARE TYPICAL FOR FRONT SIDE AND BACK SIDE VIEW
- 3 GV15 FAN BOX IS SHIPPED SEPARATE AND FIELD INSTALLED
- 4 GV15 MAIN UNIT

FILTER					
UNIT SIZE (TONNAGE)	4" FILTER MERV RATING	4" FILTER PART NUMBER	NOM WIDTH	NOM HEIGHT	QTY
15	11	870-107	20	20	4
15	13	870-129	20	20	4

SHOWN AS SHIPPED



TONNAGE	CAB WEIGHT
15	1648

ELECTRICAL ENCLOSURE LOCATION

- NOTES:
- UNIT CAN BE FIELD CONFIGURED FOR AN ALTERNATE SUPPLY AIR LOCATION SHOWN SEE I/O MANUAL FOR DETAILED INFORMATION TO RELOCATE SUPPLY AIR OPENING
  - ADD AN APPROXIMATE 1/2" TO CABINET DIMENSIONS FOR EXTERIOR PANEL FASTENERS
  - FILTER RACK AND ALL DOORS ARE REMOVABLE FOR ADDITIONAL CLEARANCE
  - GV15 UNIT IS SHIPPED IN TWO PIECES SEE I/O MANUAL FOR ASSEMBLY INSTRUCTIONS
  - GV15 UNIT IS SHOWN ASSEMBLED IN ALL VIEWS UNLESS NOTED

WATER COOLED AND HEAT PUMP CONDENSER CONNECTIONS		OPTIONAL REMOTE CONDENSER CONNECTIONS		CONDENSATE DRAIN CONNECTION
WATER LINE SIZE DIMENSIONAL COPPER		REFRIGERANT LINE SIZE DIMENSIONAL COPPER		PVC
INLET	OUTLET	DISCHARGE	LIQUID RETURN	OUTLET
1 1/2"	1 1/2"	1 1/8"	7/8"	1"

Desert Aire has a policy of continuous product and quality improvement. Specifications and dimensions are subject to change without notice. This drawing and information contained herein are the exclusive property of the Desert Aire Corporation. Any use detrimental to the interests of Desert Aire is prohibited.

All Dimensions in Inches  
All Angles 90°  
All outside corners 0.125" fillet  
Unless Otherwise Specified

Tolerance Unless Otherwise Specified  
X.X ±.125  
X.XX ±.060  
X.XXX ±.030  
Angles ±1°

DESERT AIRE  
N120 W18485 FREISTADT RD  
GERMANTOWN, WI 53022  
Tel: (262) 946-7400  
Fax: (262) 946-7401

Drawn: EAC Date Released: 10/16/2020 Description: GrowAire GV 4-15T Vert Dsch FB

Sheet: 3/4 Page Title: 15 TON VERTICAL CABINET

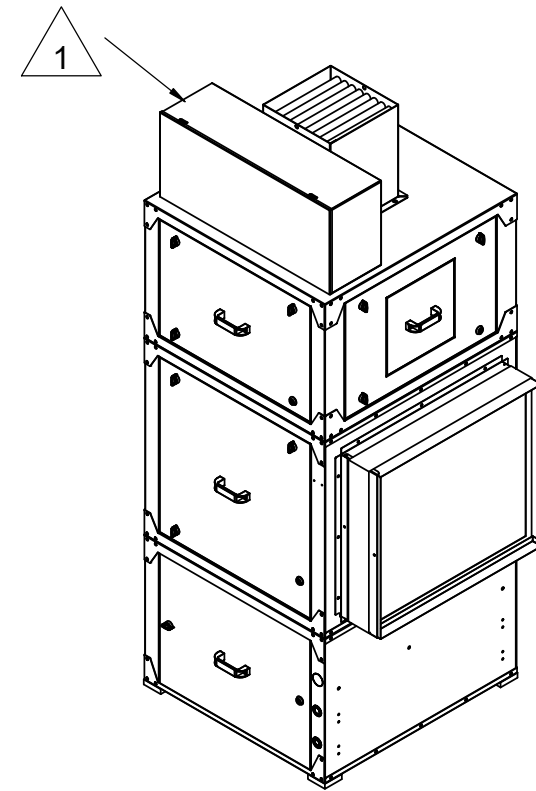
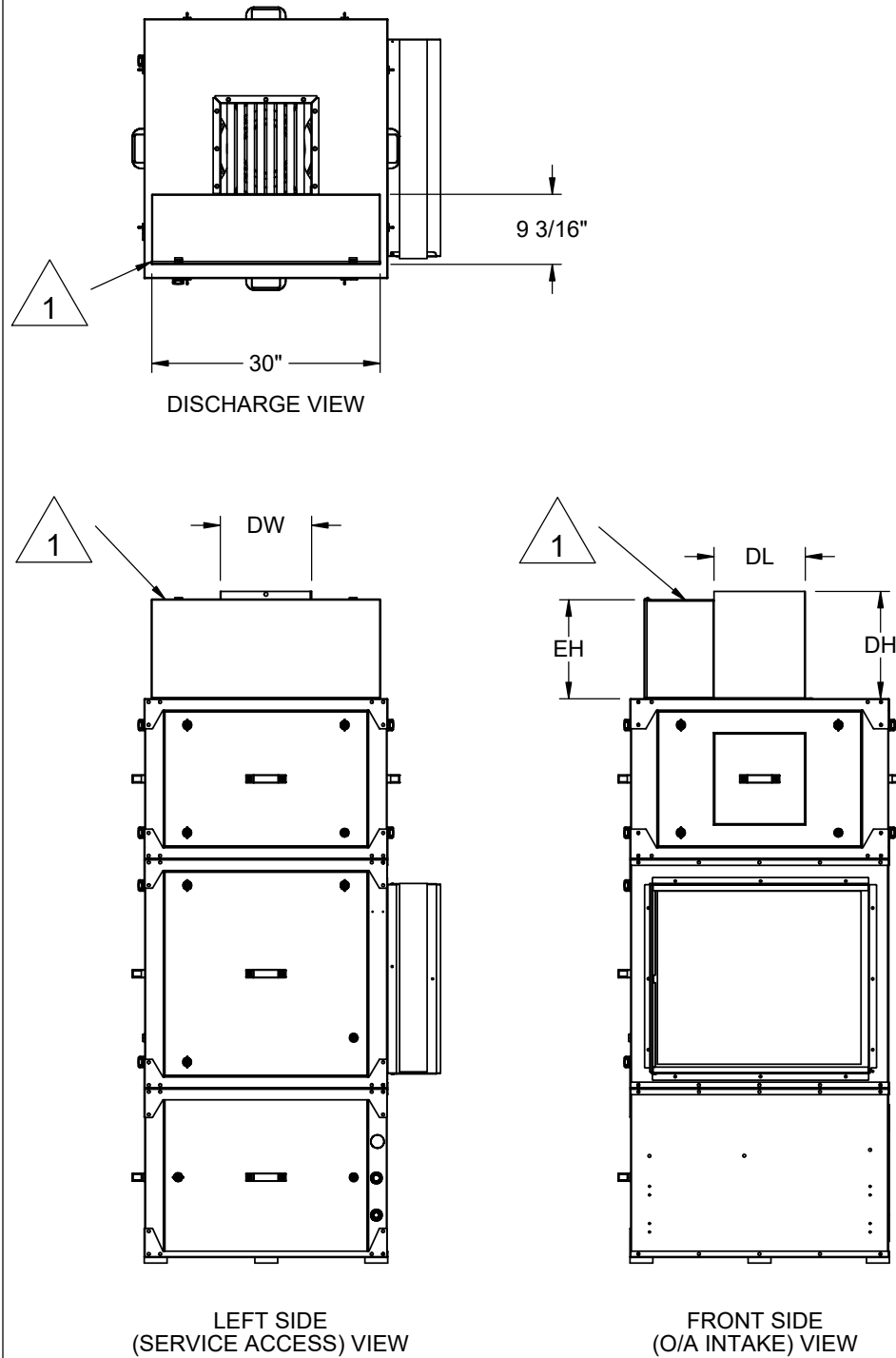
Scale: NTS Rev: 0 Drawing Number: G817-001

Third Angle Projection

ALL DIMENSIONS ARE IN INCHES  
TOLERANCE ± 1/8"

APPLICABLE UNIT	AIRFLOW ORIENTATION	MAX KW / SUPPLY VOLTAGE																		DUCT HEATER DIMENSIONS							
		240/1/60			240/3/60			480/3/60			600/3/60			208/1/60			208/3/60			DL	DW	DH			EH		
		SML	MED	LRG	SML	MED	LRG	SML	MED	LRG	SML	MED	LRG	SML	MED	LRG	SML	MED	LRG			SML	MED	LRG	SML	MED	LRG
GV04-05	VERTICAL	16	N/A	30	15	N/A	37	18	N/A	42	20	N/A	40	15	N/A	26	16	N/A	32	12"	12"	14"	N/A	23"	13"	N/A	22"
GV08-10	VERTICAL	16	30	40	15	37	55	18	42	70	20	40	62	15	31	37	16	32	50	22"	13"	14"	21"	33"	13"	20"	32"
GV15	VERTICAL	20	32	45	25	50	60	26	50	74	26	46	66	20	28	39	22	45	54	24"	13"	14"	21"	33"	13"	20"	32"

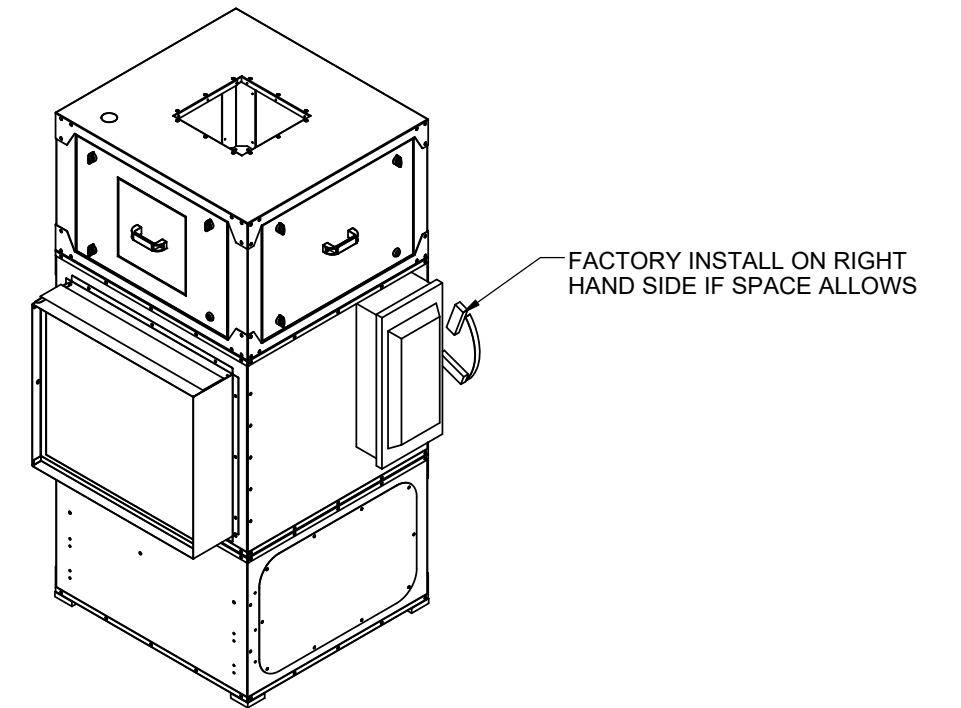
DUCT HEATER OPTION VIEWS  
(VERTICAL SHOWN)



- NOTES:
- DUCT HEATER MUST BE INSTALLED IN AIRFLOW ORIENTATION ORDERED
  - CONTACT FACTORY FOR NEW HEATER IF CHANGE TO SUPPLY ORIENTATION IS DESIRED

1 HEATER IS FACTORY SUPPLIED ACCESSORY FIELD INSTALLED

DISCONNECT OPTION VIEW



NOTES:

- DISCONNECT LOCATED AS SHOWN OR FACTORY SUPPLIED AND FIELD INSTALLED

Desert Aire has a policy of continuous product and quality improvement. Specifications and dimensions are subject to change without notice. This drawing and information contained herein are the exclusive property of the Desert Aire Corporation. Any use detrimental to the interests of Desert Aire is prohibited.

All Dimensions in Inches  
All Angles 90°  
All outside corners 0.125" fillet  
Unless Otherwise Specified

Tolerance Unless Otherwise Specified  
X.X ±.125  
X.XX ±.060  
X.XXX ±.030  
Angles ±1°

**DESERT AIRE**  
N120 W18485 FREISTADT RD  
GERMANTOWN, WI 53022  
Tel: (262) 946-7400  
Fax: (262) 946-7401

Third Angle Projection

Part weight

ALL DIMENSIONS ARE IN INCHES  
TOLERANCE ± 1/8"

Drawn	EAC	Date Released	10/16/2020	Description	GrowAire GV 4-15T Vert Dsch FB
Sheet	4/4			Page Title	OPTIONS
Scale	NTS		Rev.	0	Drawing Number
					G817-001